



US00D797856S

(12) **United States Design Patent** (10) **Patent No.:** **US D797,856 S**
Loew (45) **Date of Patent:** **** Sep. 19, 2017**

- (54) **ILLUMINATED SIGN**
- (71) Applicant: **BOT HOME AUTOMATION, INC.**,
Santa Monica, CA (US)
- (72) Inventor: **Christopher Loew**, Palto Alto, CA
(US)
- (73) Assignee: **Bot Home Automation, Inc.**, Santa
Monica, CA (US)
- (**) Term: **15 Years**
- (21) Appl. No.: **29/566,098**
- (22) Filed: **May 26, 2016**
- (51) **LOC (10) Cl.** **20-02**
- (52) **U.S. Cl.**
USPC **D20/41**
- (58) **Field of Classification Search**
USPC D3/10, 207, 219, 318; D20/10, 22, 27,
D20/28, 41, 99; D10/109.1, 113.4
CPC G09F 1/00; G09F 1/02; G09F 2003/023;
G09F 2003/0261; G09F 2003/0264; G09F
7/00; G09F 3/206; G09F 2007/1807;
G09F 13/00; G09F 13/04; G09F
2013/0427; G09F 2013/0495; G09D 3/00
See application file for complete search history.

(56) **References Cited**

U.S. PATENT DOCUMENTS

D99,928 S *	6/1936	Chernow	D11/43
D116,338 S *	8/1939	Gist	D20/41
D202,866 S *	11/1965	Handley	D20/10
D265,746 S *	8/1982	Robillard	D20/41
4,930,234 A *	6/1990	Schmidt	G09F 3/06 40/1.5
D375,979 S *	11/1996	Adams	D20/17
D413,934 S *	9/1999	Kleihues	D20/41
D424,734 S *	5/2000	Gager	D20/41

D429,177 S *	8/2000	Jennings	D10/113.4
D436,135 S *	1/2001	Emert	D20/10
D440,512 S *	4/2001	Mugleston	D10/109.1
D444,941 S *	7/2001	Pisarevsky	D3/207
D475,317 S *	6/2003	Fernandez	D11/79
D501,891 S *	2/2005	Kaplan	D20/41
D559,577 S *	1/2008	Quinn	D6/300
D570,597 S *	6/2008	Klein	D14/484.1
D598,053 S *	8/2009	Sanchez	D14/159
D598,054 S *	8/2009	Grimshaw	D20/39
D651,255 S *	12/2011	Ingouville	D20/41
D711,467 S *	8/2014	Rhodes	D19/113

(Continued)

Primary Examiner — Mary Ann Calabrese
Assistant Examiner — Sloan Rozin
(74) *Attorney, Agent, or Firm* — Chang IP Law Group

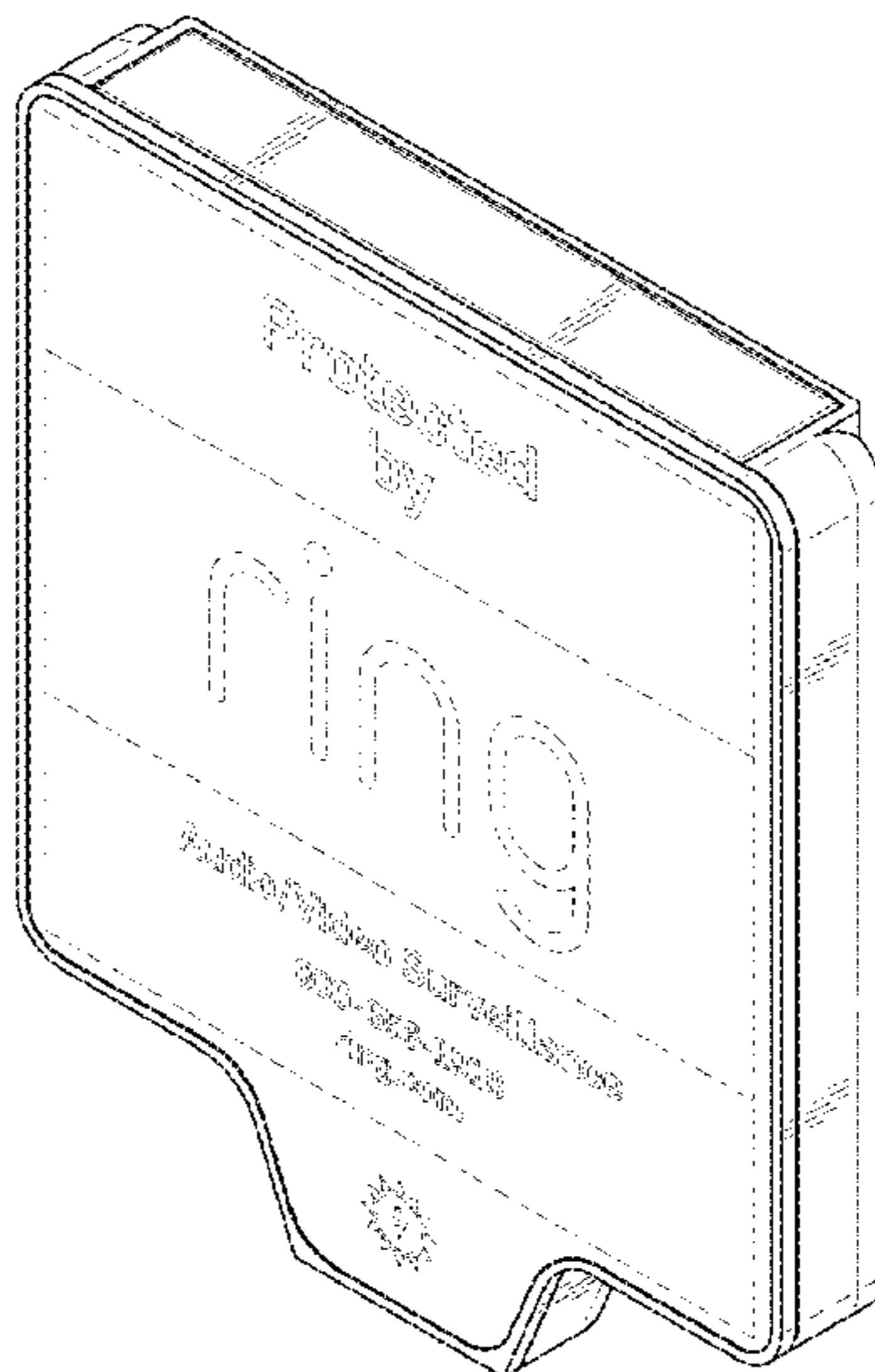
(57) **CLAIM**

The ornamental design for an illuminated sign, as shown and described.

DESCRIPTION

FIG. 1 is a front prospective view of the illuminated sign according to the present design;
FIG. 2 is a front elevational view of the illuminated sign of FIG. 1;
FIG. 3 is a rear elevational view of the illuminated sign of FIG. 1;
FIG. 4 is a right-side elevational view of the illuminated sign of FIG. 1, the left-side elevational view being a mirror image thereof;
FIG. 5 is a top plan view of the illuminated sign of FIG. 1;
FIG. 6 is a bottom plan view of the illuminated sign of FIG. 1; and,
FIG. 7 is a front perspective view of the illuminated sign of FIG. 1, showing the illuminated sign in a manner of use.
The broken line showing of elements on the illuminated sign illustrate portions of the article and form no part of the claimed design.

1 Claim, 6 Drawing Sheets



(56)

References Cited

U.S. PATENT DOCUMENTS

D786,140 S *	5/2017	Bloch	D10/109.1
2014/0165437 A1 *	6/2014	Barker	G09F 7/00
			40/607.01

* cited by examiner

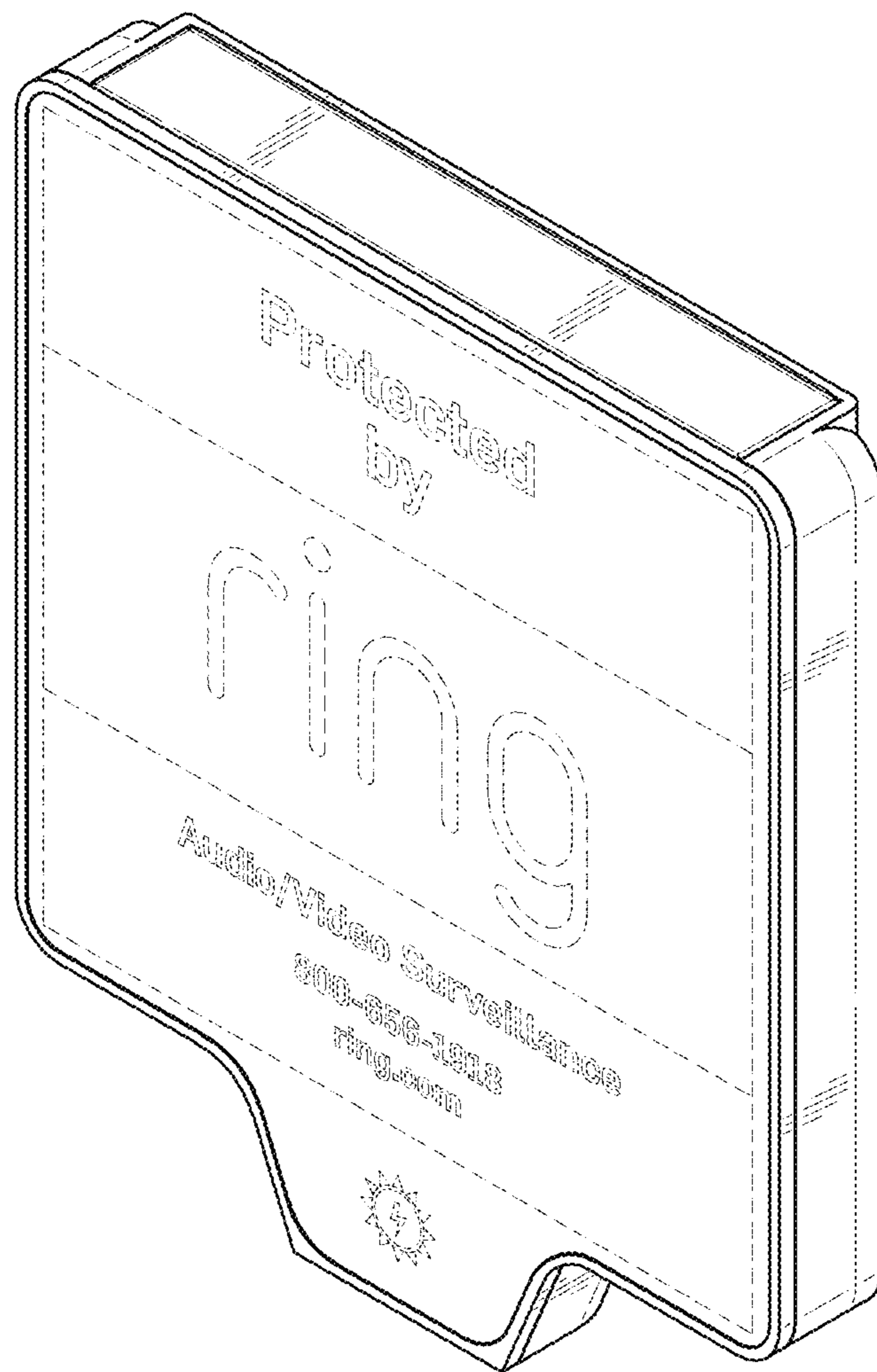


FIG. 1



FIG. 2

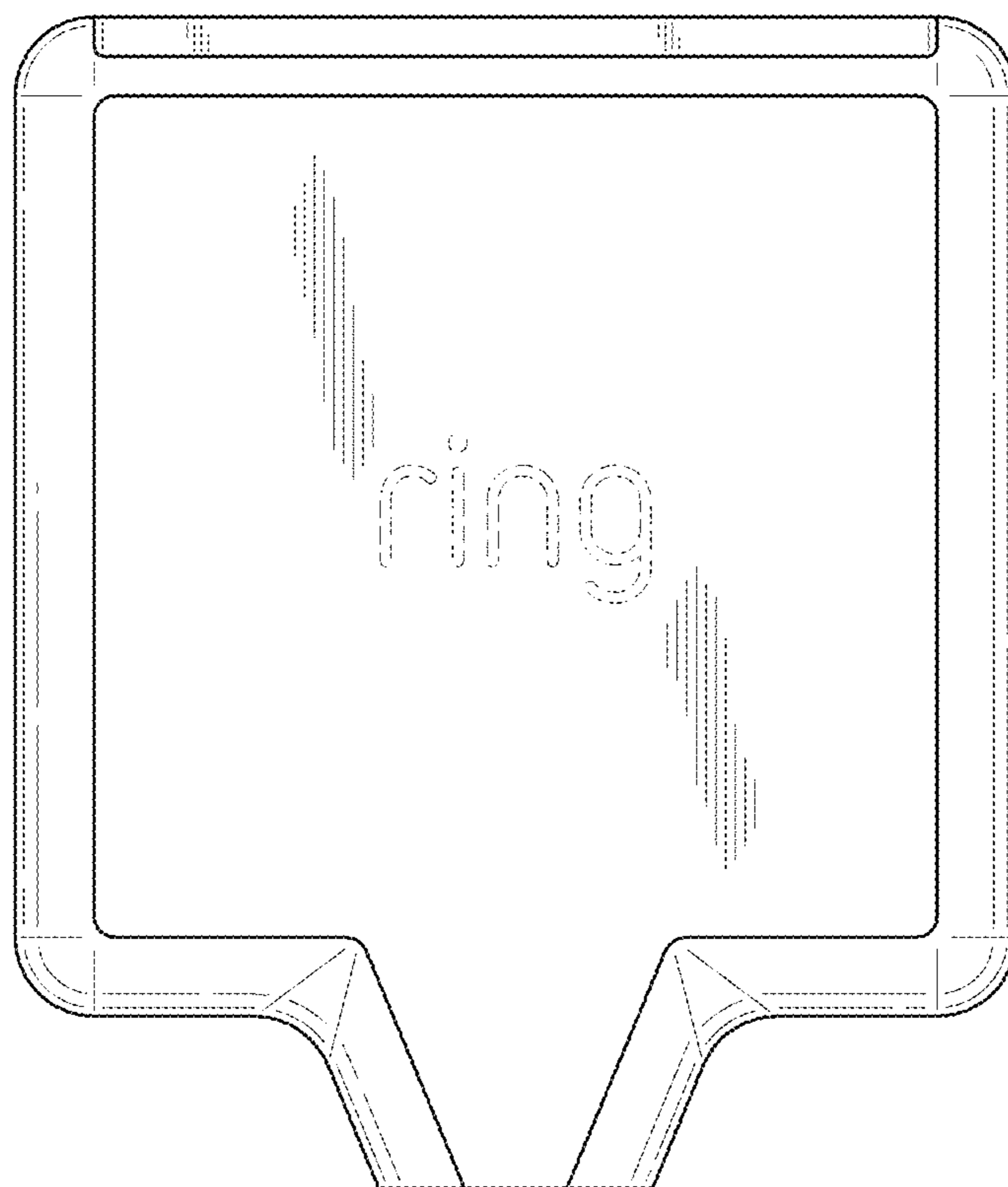


FIG. 3

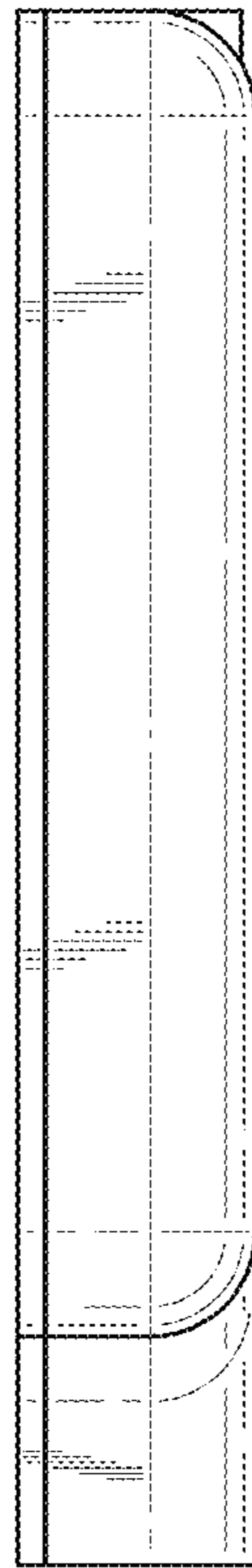


FIG. 4

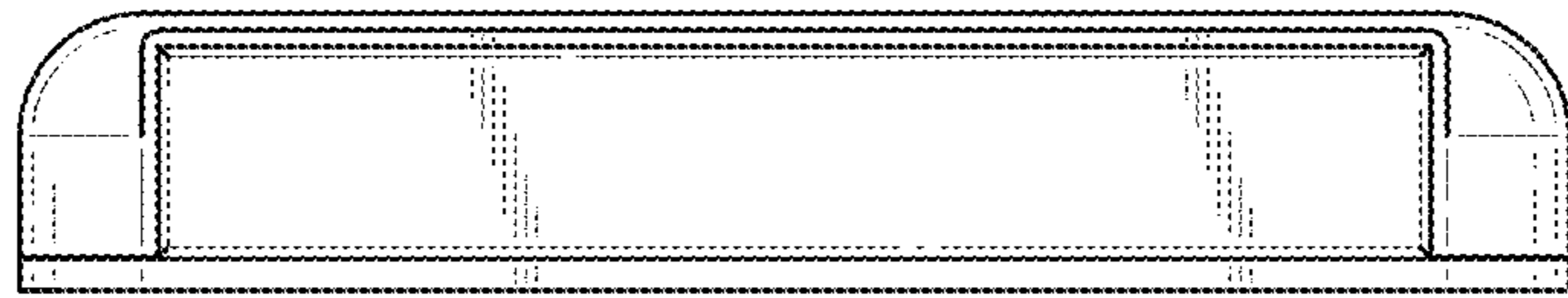


FIG. 5

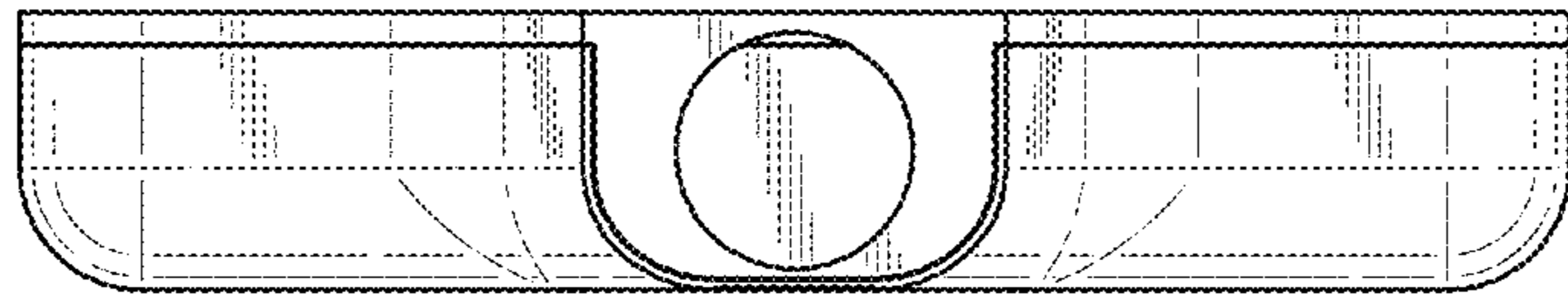


FIG. 6

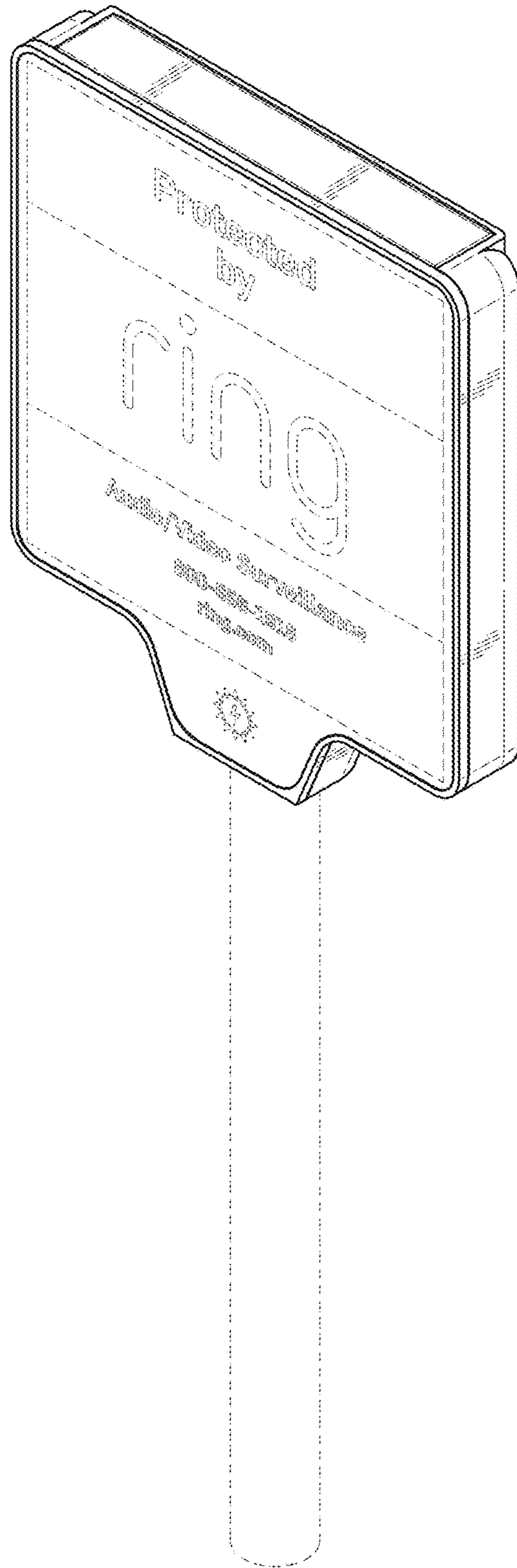


FIG. 7