



US00D797854S

(12) **United States Design Patent**  
**Puglisi et al.**

(10) **Patent No.:** **US D797,854 S**

(45) **Date of Patent:** **\*\* Sep. 19, 2017**

(54) **BEARING PEN**

(71) Applicants: **Marc Puglisi**, Wayne, NJ (US); **David A. Laemle**, Westwood, NJ (US)

(72) Inventors: **Marc Puglisi**, Wayne, NJ (US); **David A. Laemle**, Westwood, NJ (US)

(\*\*) Term: **15 Years**

(21) Appl. No.: **29/605,311**

(22) Filed: **May 25, 2017**

(51) **LOC (10) Cl.** ..... **19-06**

(52) **U.S. Cl.**  
USPC ..... **D19/192**

(58) **Field of Classification Search**  
USPC ..... D14/411; D15/143; D19/115-204  
CPC ... B43K 5/00; B43K 7/00; B43K 7/12; B43K 8/04; B43K 8/06; B43K 19/00; B43K 19/02; B43K 19/14; B43K 24/08; F16C 33/586; F16C 2226/50; F16C 33/6659; F16C 41/004  
See application file for complete search history.

(56) **References Cited**

U.S. PATENT DOCUMENTS

- 1,011,028 A \* 12/1911 Chambers ..... F16C 33/425  
384/609
- 1,200,445 A \* 10/1916 Laycock ..... F16C 19/28  
29/441.1
- 1,699,450 A \* 1/1929 Rhoda ..... F16C 25/06  
384/499
- 1,963,592 A \* 6/1934 Pribil ..... B60L 5/06  
301/5.7
- 1,985,693 A \* 12/1934 Robinson ..... F16C 19/46  
29/898.062
- 2,161,210 A \* 6/1939 Waalkes ..... F16C 35/063  
384/449
- 2,354,402 A \* 7/1944 Petruccione ..... A61F 17/00  
15/184

- 2,614,898 A \* 10/1952 Adams ..... F16C 33/60  
384/506
- 2,700,371 A \* 1/1955 Zahel ..... B43K 21/08  
401/75
- 3,396,998 A \* 8/1968 Scoville ..... A01K 91/04  
289/17

(Continued)

FOREIGN PATENT DOCUMENTS

- CN 301186523 8/2009
- CN 301029409 9/2009

(Continued)

OTHER PUBLICATIONS

Stock Photo\_Engineering Concept, "Few Ball Bearings Near Ruler and Pen . . . ," 3 pages, copyright Jul. 3, 2017, www.123rf.com/photo\_41032564.\*

*Primary Examiner* — Elizabeth Albert  
(74) *Attorney, Agent, or Firm* — Scott H. Kaliko, Esq;  
Kaliko & Associates, LLC

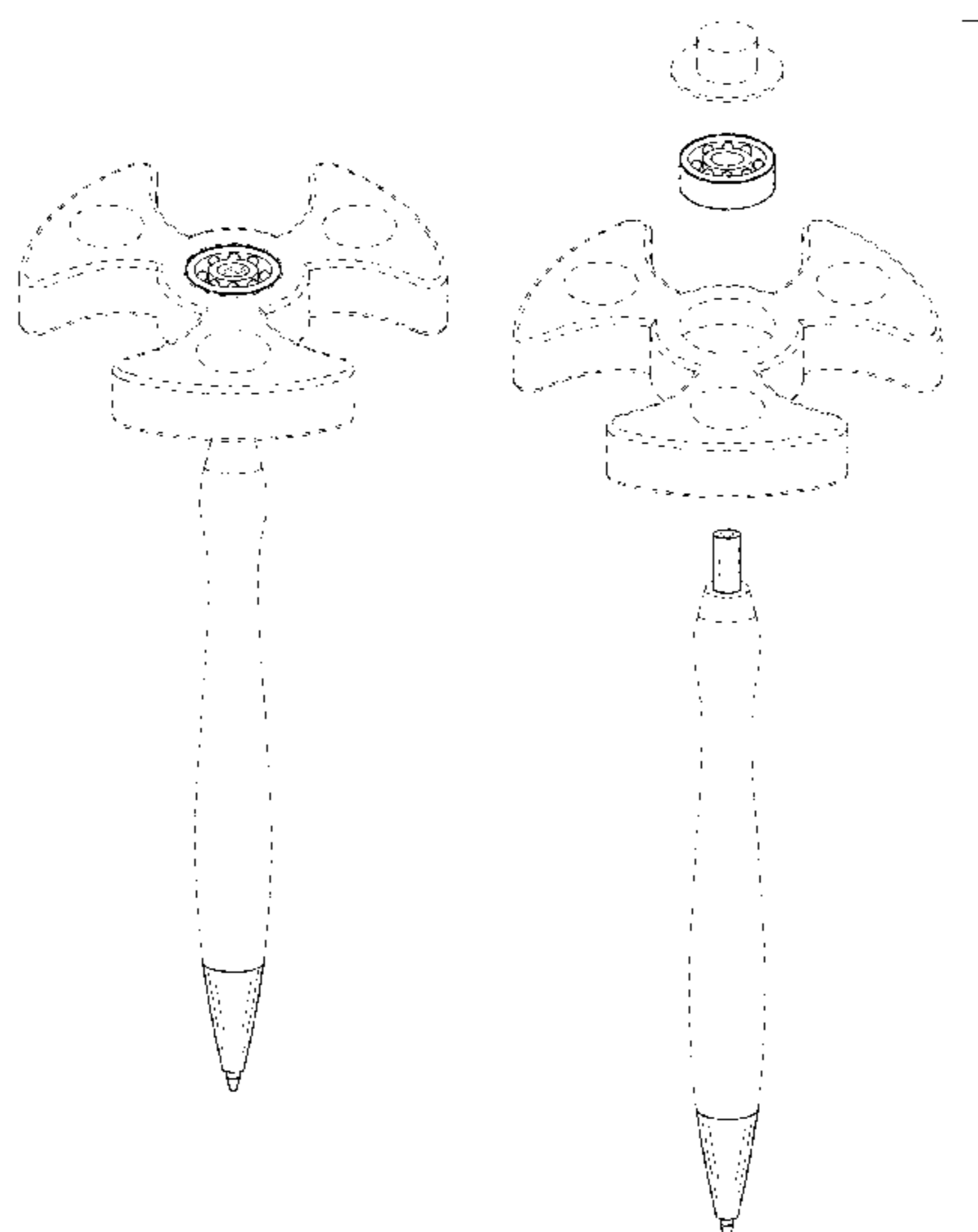
(57) **CLAIM**

The ornamental design for a bearing pen, as shown and described.

**DESCRIPTION**

FIG. 1 is a top perspective view of a bearing pen showing my new design;  
FIG. 2 is an exploded perspective view thereof;  
FIG. 3 is a front view thereof;  
FIG. 4 is a bottom perspective view thereof;  
FIG. 5 is another bottom perspective view thereof;  
FIG. 6 is a top portion view thereof;  
FIG. 7 is a tilted top portion view thereof;  
FIG. 8 is a top view thereof; and,  
FIG. 9 is a bottom view thereof.  
The broken lines depict unclaimed portions of the bearing pen.

**1 Claim, 7 Drawing Sheets**



(56)

References Cited

U.S. PATENT DOCUMENTS

3,463,597 A \* 8/1969 Noboru ..... B43K 5/1845  
401/198  
D258,828 S \* 4/1981 Zrobek ..... D15/143  
4,323,288 A \* 4/1982 Smith, Sr. .... B65G 39/09  
384/449  
D354,979 S 1/1995 Tsuji  
D354,984 S 1/1995 Tsuji  
5,403,338 A \* 4/1995 Milo ..... A61B 17/32053  
604/164.12  
D370,852 S \* 6/1996 Jacoby ..... D10/23  
5,944,730 A \* 8/1999 Nobles ..... A61B 17/11  
606/151  
D435,592 S \* 12/2000 Lecce ..... D19/174  
D459,366 S \* 6/2002 Heinonen ..... D15/21  
6,550,177 B1 \* 4/2003 Epple, Jr. .... A01K 97/26  
289/17  
D482,064 S 11/2003 Steiner et al.  
6,666,583 B2 \* 12/2003 Nieman ..... F16C 35/067  
384/537  
D486,857 S \* 2/2004 Sener ..... D19/171  
D501,031 S \* 1/2005 Lecce ..... D19/174  
D529,550 S \* 10/2006 Fukui ..... D19/171  
D548,785 S \* 8/2007 O'Hern ..... D19/177  
7,568,842 B2 \* 8/2009 Gempper ..... F16C 19/522  
384/448  
D624,591 S \* 9/2010 Koehler ..... D19/171  
D630,682 S 1/2011 Castro et al.  
8,092,108 B2 \* 1/2012 Bainbridge ..... B05C 17/00516  
401/171  
8,177,436 B2 \* 5/2012 Horvat ..... F16C 33/586  
384/513  
8,394,114 B2 \* 3/2013 Schaller ..... A61B 17/11  
606/142  
8,444,321 B2 \* 5/2013 Horvat ..... F16C 33/586  
384/513

9,366,326 B2 \* 6/2016 Lee ..... F16H 25/122  
2006/0257060 A1 \* 11/2006 Gempper ..... F16C 19/522  
384/448  
2012/0093453 A1 \* 4/2012 Horvat ..... F16C 33/586  
384/513  
2016/0238074 A1 \* 8/2016 Preis ..... C23C 4/11  
2017/0058957 A1 \* 3/2017 Messinger ..... F16C 41/004

FOREIGN PATENT DOCUMENTS

CN	301343901	9/2009
CN	301361965	2/2010
CN	301236596	8/2010
CN	301301348	8/2010
CN	301301349	8/2010
CN	301309954	8/2010
CN	301320502	8/2010
CN	301617810	1/2011
CN	301538645	5/2011
CN	301743214	11/2011
CN	301777296	11/2011
CN	301615486	1/2012
CN	302527297	6/2013
CN	302781575	4/2014
CN	303127736	10/2014
CN	303144324	11/2014
CN	303042713	12/2014
CN	303794054	12/2014
CN	303677427	5/2015
CN	303276660	7/2015
CN	303493984	12/2015
CN	303677426	5/2016
CN	303677428	5/2016
CN	304112057	10/2016
EM	0017759170001	11/2010
JP	D1433458	2/2012

\* cited by examiner

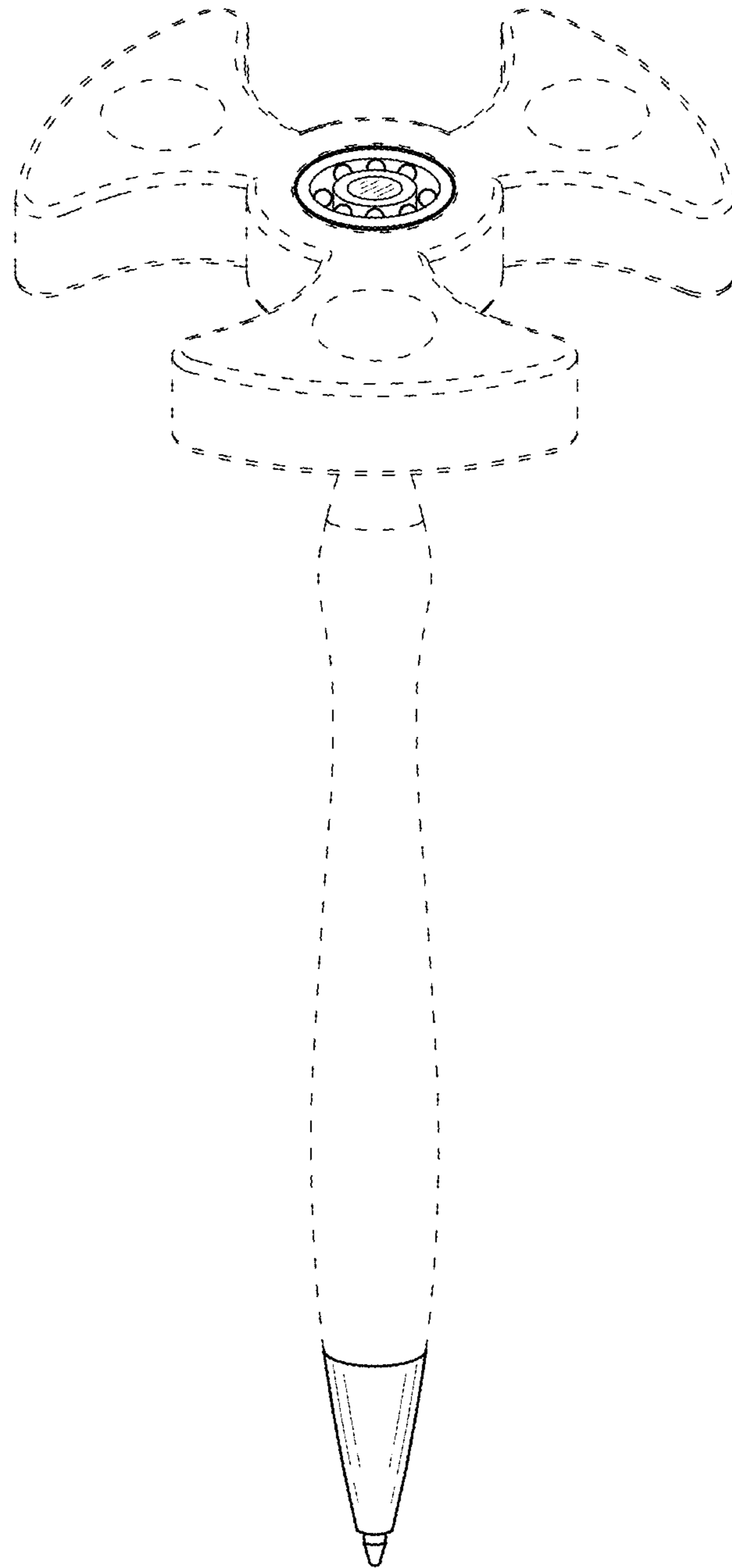


FIG. 1

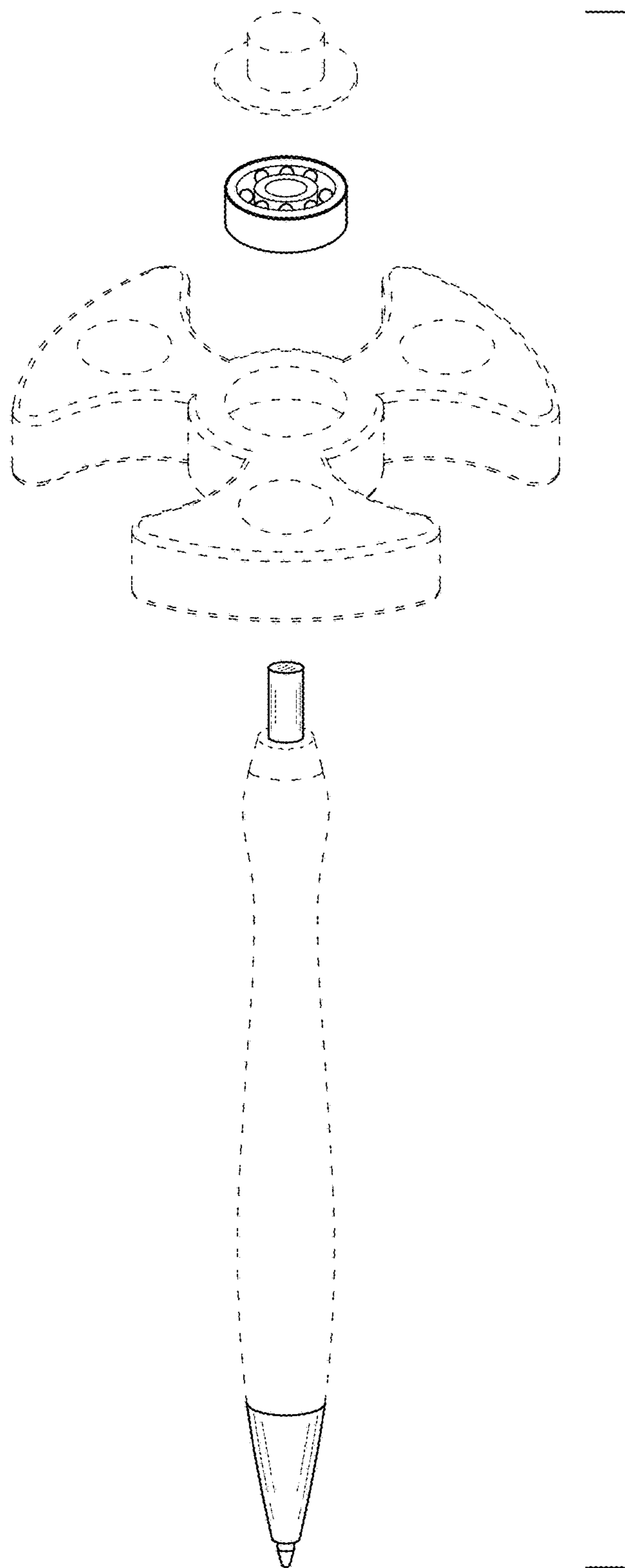


FIG. 2

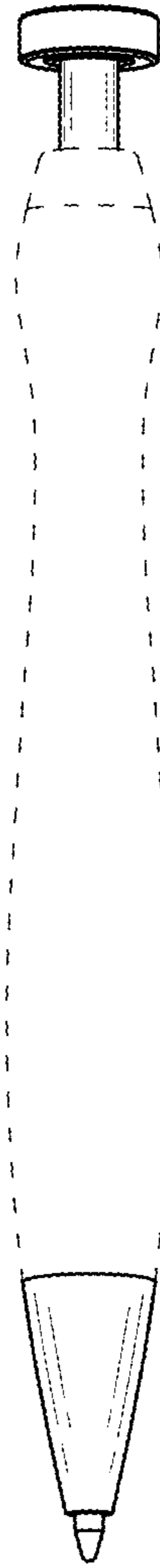


FIG. 3

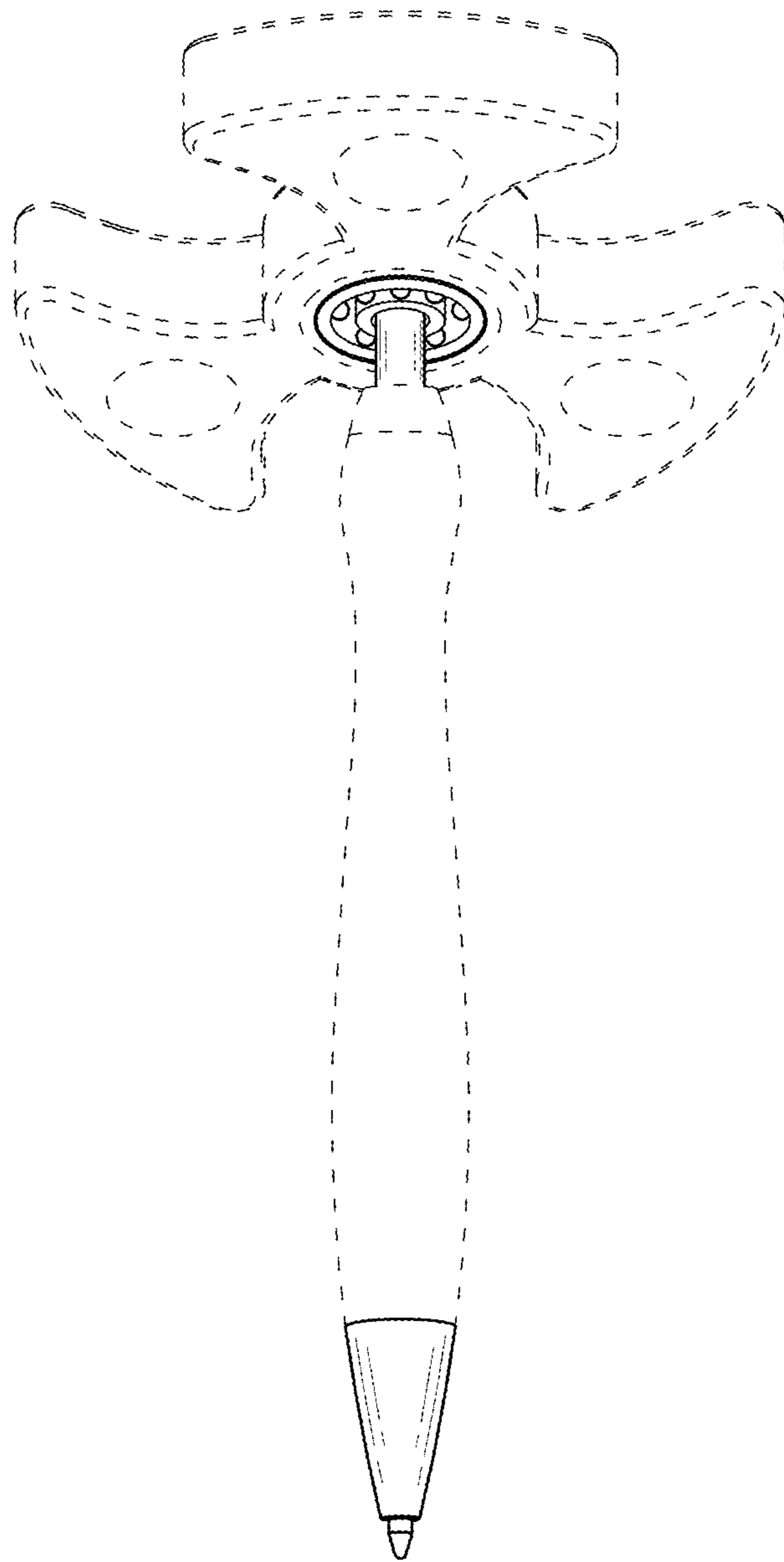


FIG. 4

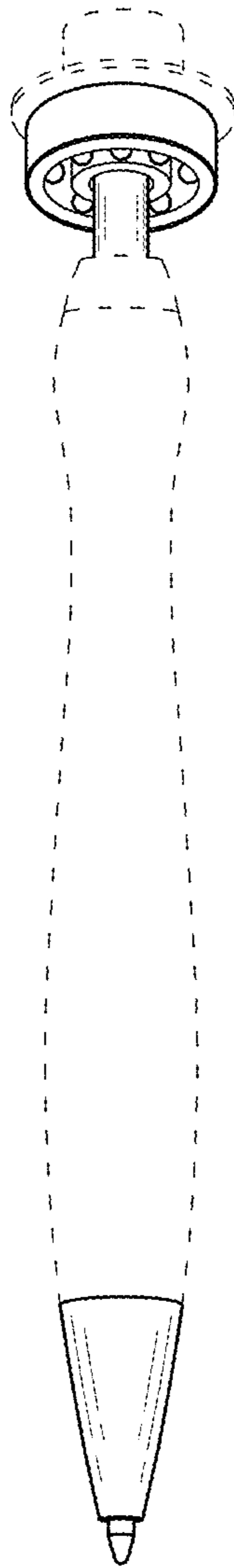


FIG. 5

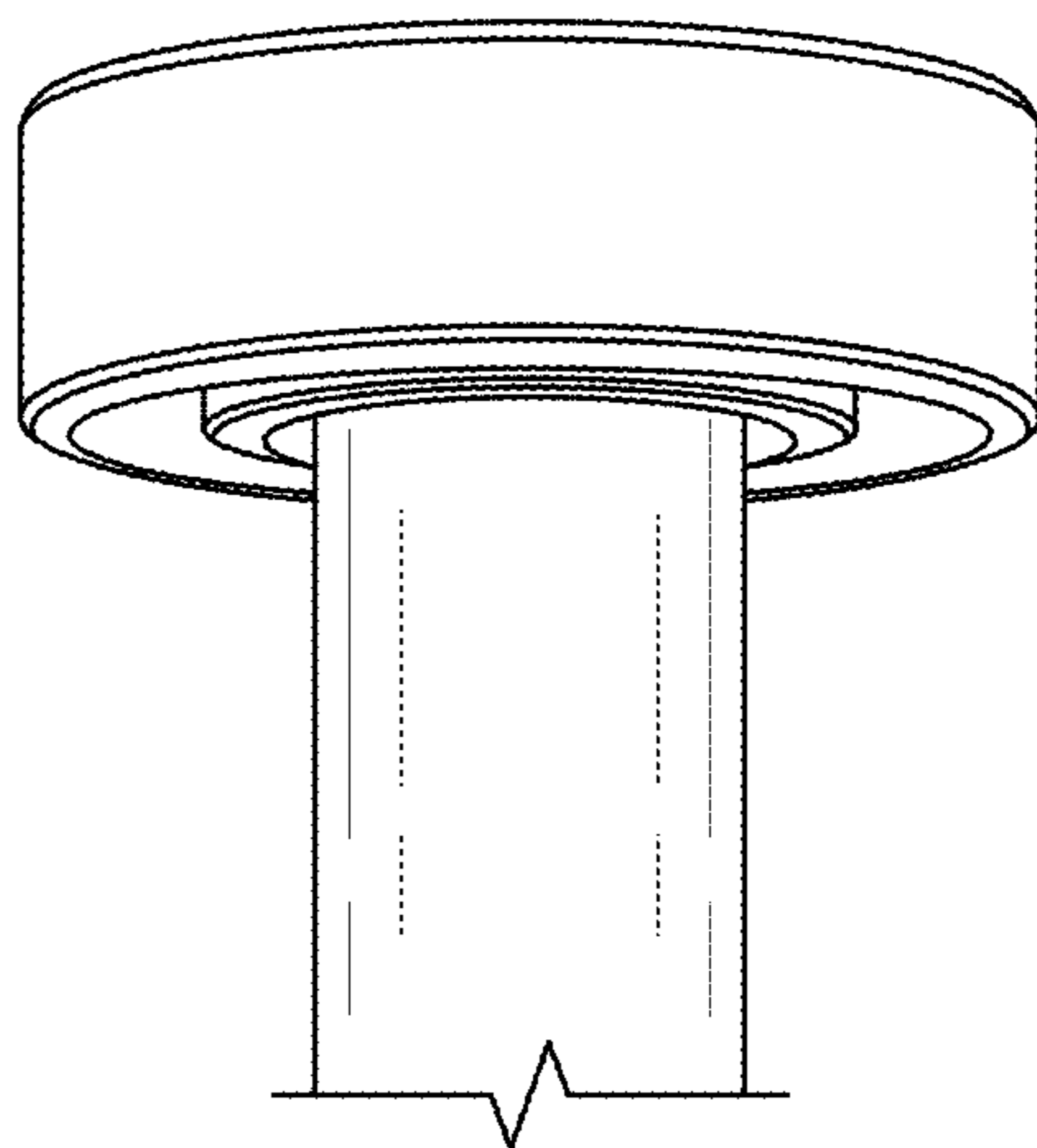


FIG. 6

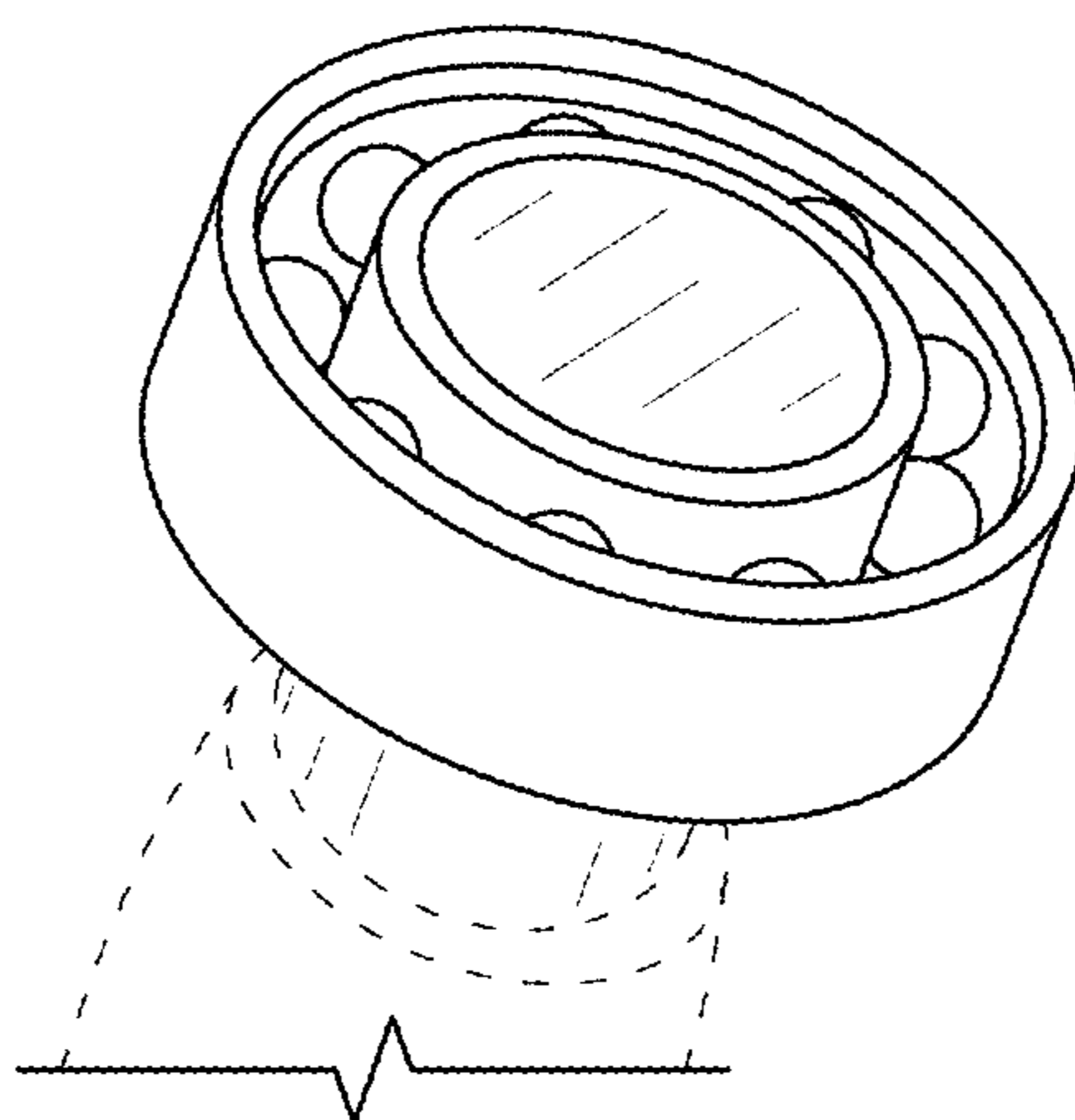


FIG. 7



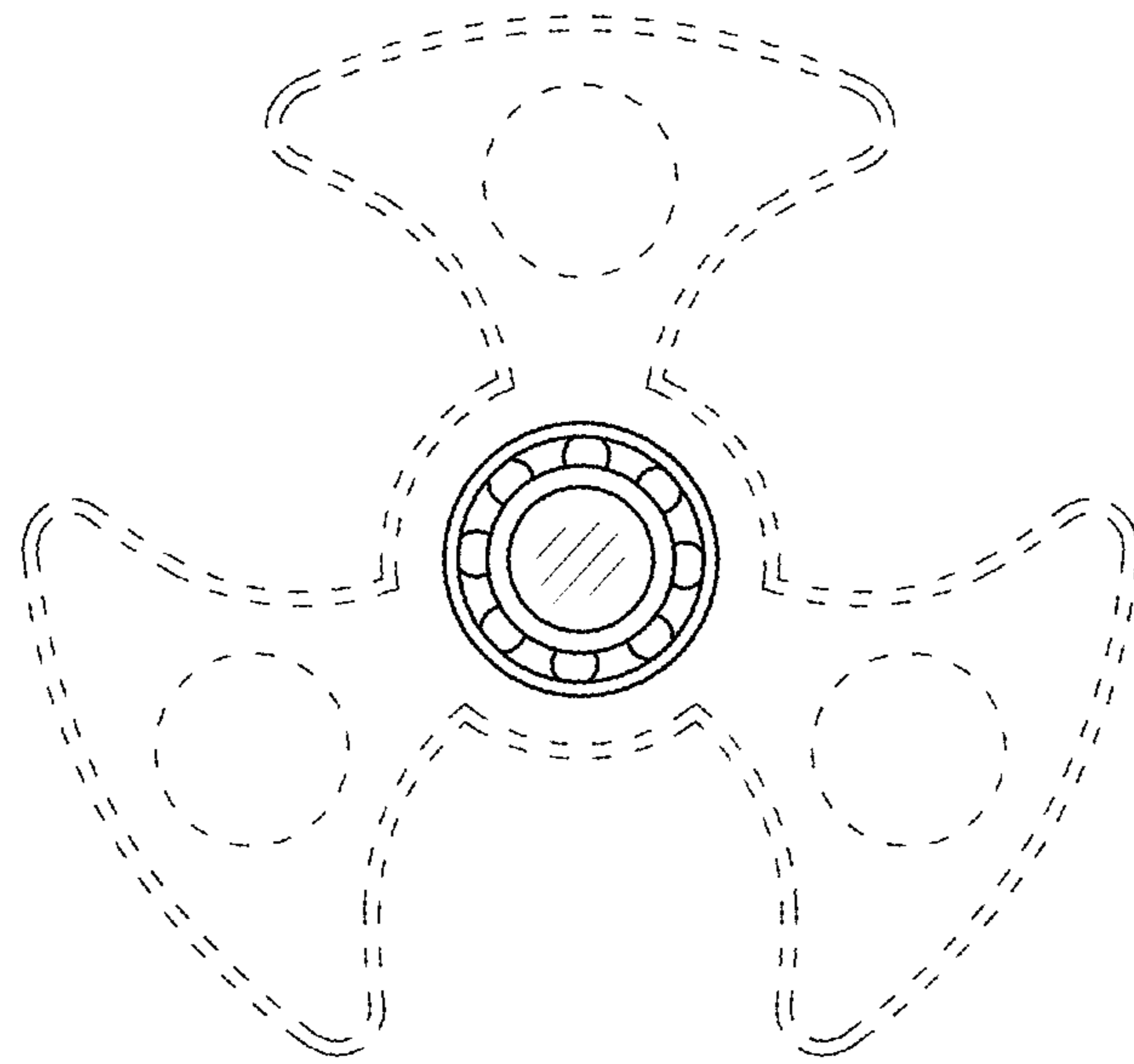


FIG. 8

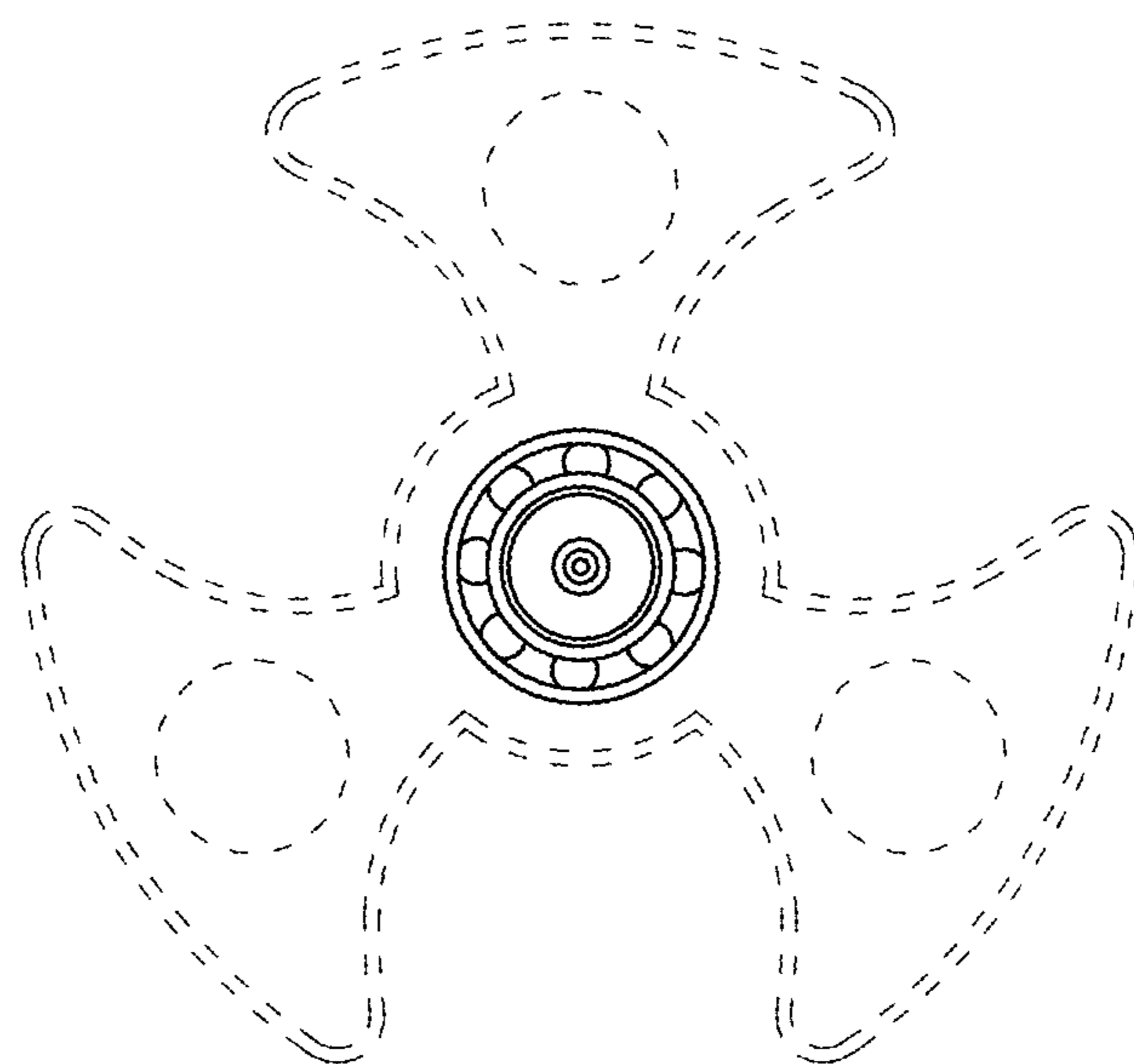


FIG. 9