



US00D797848S

(12) **United States Design Patent**  
**Tsuruoka**

(10) **Patent No.:** **US D797,848 S**

(45) **Date of Patent:** **\*\* Sep. 19, 2017**

(54) **ELECTRONIC BLACKBOARD**

(71) Applicant: **Naoto Tsuruoka**, Ohta-ku (JP)

(72) Inventor: **Naoto Tsuruoka**, Ohta-ku (JP)

(73) Assignee: **RICOH COMPANY, LTD.**, Tokyo (JP)

(\*\*) Term: **15 Years**

(21) Appl. No.: **29/556,267**

(22) Filed: **Feb. 29, 2016**

(30) **Foreign Application Priority Data**

Dec. 9, 2015 (JP) ..... 2015-027497

(51) **LOC (10) Cl.** ..... **19-06**

(52) **U.S. Cl.**  
USPC ..... **D19/113**

(58) **Field of Classification Search**  
USPC ..... D19/113, 114; D20/10, 19, 39, 40, 41,  
D20/42; D14/371, 373, 374  
CPC .. B43L 1/00; B43L 1/004; B43L 1/008; B43L  
1/10; B43L 1/12; B43L 5/00; G06F  
3/041; G06F 3/045; G06F 3/046; G09F  
15/00; G09F 15/0006; G09F 15/0012;  
G09F 15/0018; G09F 15/0056; G09F  
2007/1834; G09F 2007/1843; G09F  
2007/1847; G09F 7/04

See application file for complete search history.

(56) **References Cited**

**U.S. PATENT DOCUMENTS**

D417,659 S \* 12/1999 Takemasa ..... D14/126  
D424,068 S \* 5/2000 Takemasa ..... D14/126  
D496,034 S \* 9/2004 Guerrero ..... D14/336  
D498,217 S \* 11/2004 Kim ..... D14/126  
D505,403 S \* 5/2005 Kita ..... D14/126  
D510,919 S \* 10/2005 Kubota ..... D14/126

D540,278 S \* 4/2007 Ju ..... D14/126  
D540,755 S \* 4/2007 Asanuma ..... D14/126  
D543,164 S \* 5/2007 Yang ..... D14/126  
D556,707 S \* 12/2007 Fujii ..... D14/126  
D556,708 S \* 12/2007 Takami ..... D14/126  
D589,510 S \* 3/2009 Wada ..... D14/331  
D598,911 S \* 8/2009 Wang ..... D14/336  
D606,071 S \* 12/2009 Wu ..... D14/336  
D619,135 S \* 7/2010 Lin ..... D14/374  
D620,007 S \* 7/2010 Jeon ..... D14/371  
D620,938 S \* 8/2010 Shih ..... D14/374  
D621,833 S \* 8/2010 Chang ..... D14/374  
D627,394 S \* 11/2010 Nakayama ..... D19/114  
D627,824 S \* 11/2010 Nakayama ..... D19/113  
D634,320 S \* 3/2011 Bliven ..... D14/336  
D642,081 S \* 7/2011 Kashimoto ..... D10/49  
D642,561 S \* 8/2011 Tang ..... D14/336  
D652,403 S \* 1/2012 Fahlgren ..... D14/138 G  
D672,329 S \* 12/2012 Fahlgren ..... D14/138 G

(Continued)

*Primary Examiner* — Elizabeth Albert

(74) *Attorney, Agent, or Firm* — Oblon, McClelland,  
Maier & Neustadt, L.L.P.

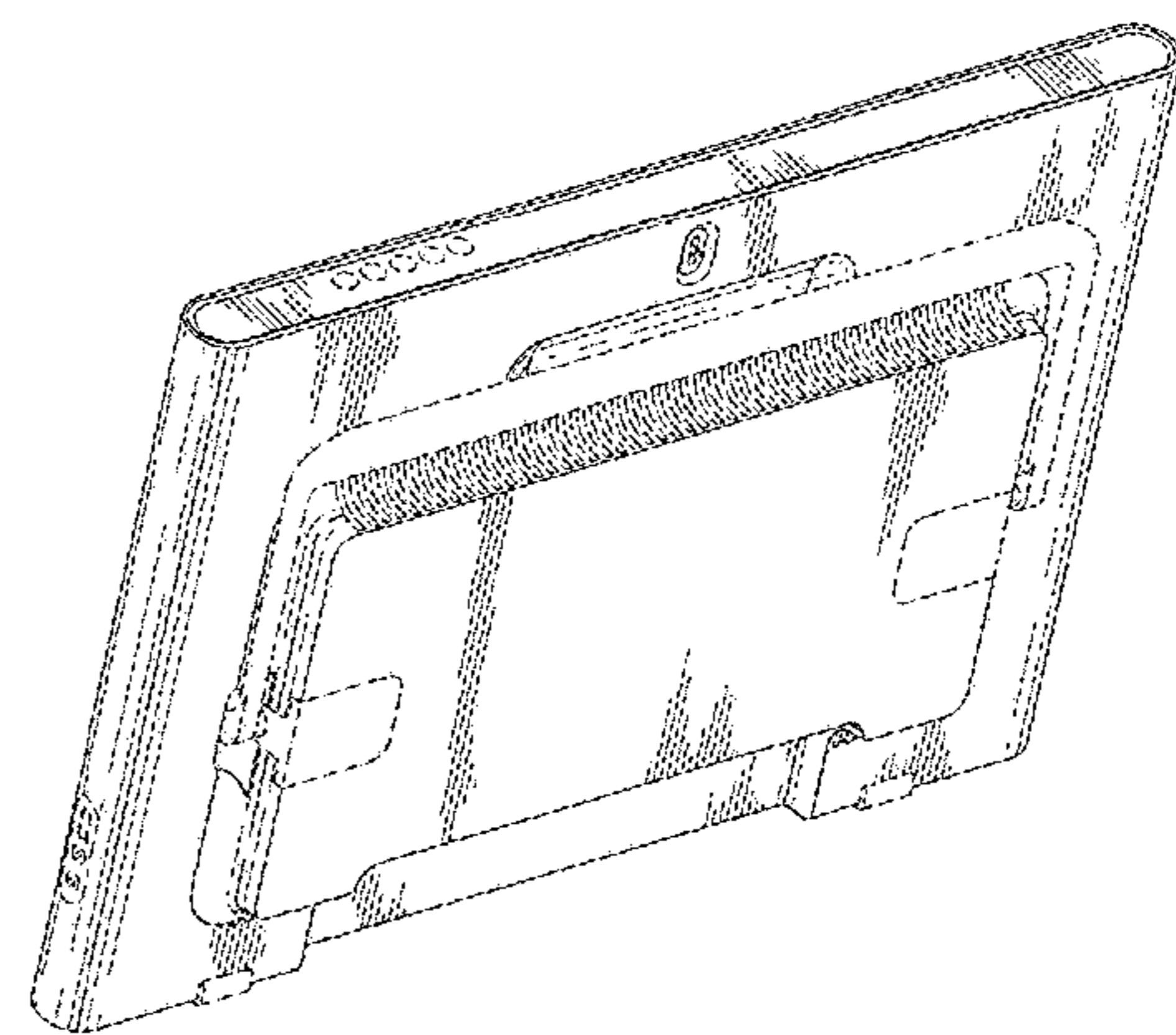
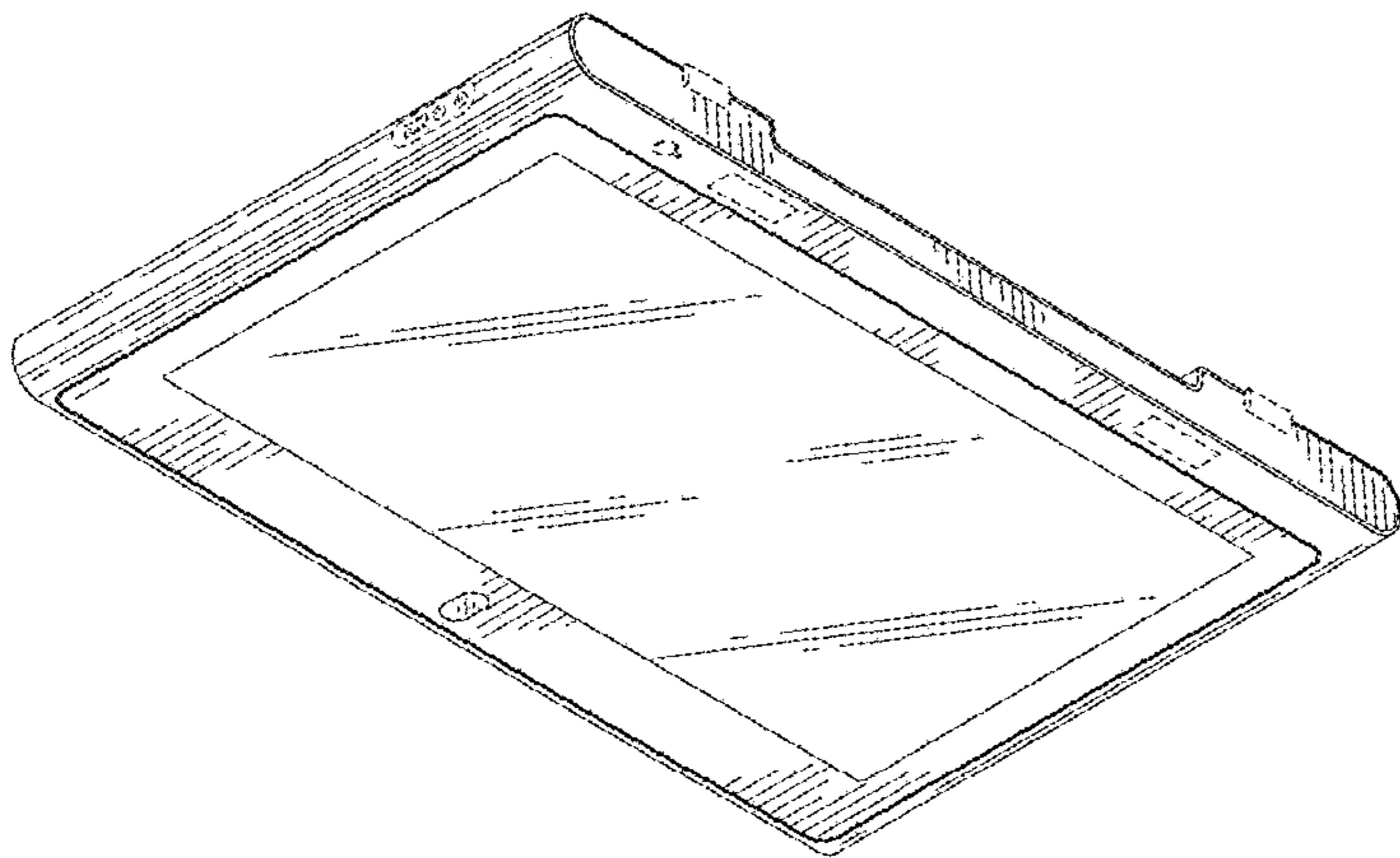
(57) **CLAIM**

The ornamental design for an electronic blackboard, as shown and described.

**DESCRIPTION**

FIG. 1 is a front elevational view of an electronic blackboard according to my design;  
FIG. 2 is a back elevational view thereof;  
FIG. 3 is a left side elevational view thereof;  
FIG. 4 is a right side elevational view thereof;  
FIG. 5 is a top elevational view thereof;  
FIG. 6 is a bottom elevational view thereof;  
FIG. 7 is a front, bottom perspective view thereof; and,  
FIG. 8 is a back, top perspective view thereof.  
The broken lines in the figures represent unclaimed subject matter and form no part of the claimed design.

**1 Claim, 8 Drawing Sheets**



(56)

**References Cited**

U.S. PATENT DOCUMENTS

D673,926 S \* 1/2013 Fahlgren ..... D14/138 G  
D698,351 S \* 1/2014 Jasinski ..... D14/336  
D744,990 S \* 12/2015 Lee ..... D14/138 G  
D758,334 S \* 6/2016 Du ..... D14/138 G  
D769,240 S \* 10/2016 Yu ..... D14/336  
D773,455 S \* 12/2016 Lee ..... D14/341

\* cited by examiner

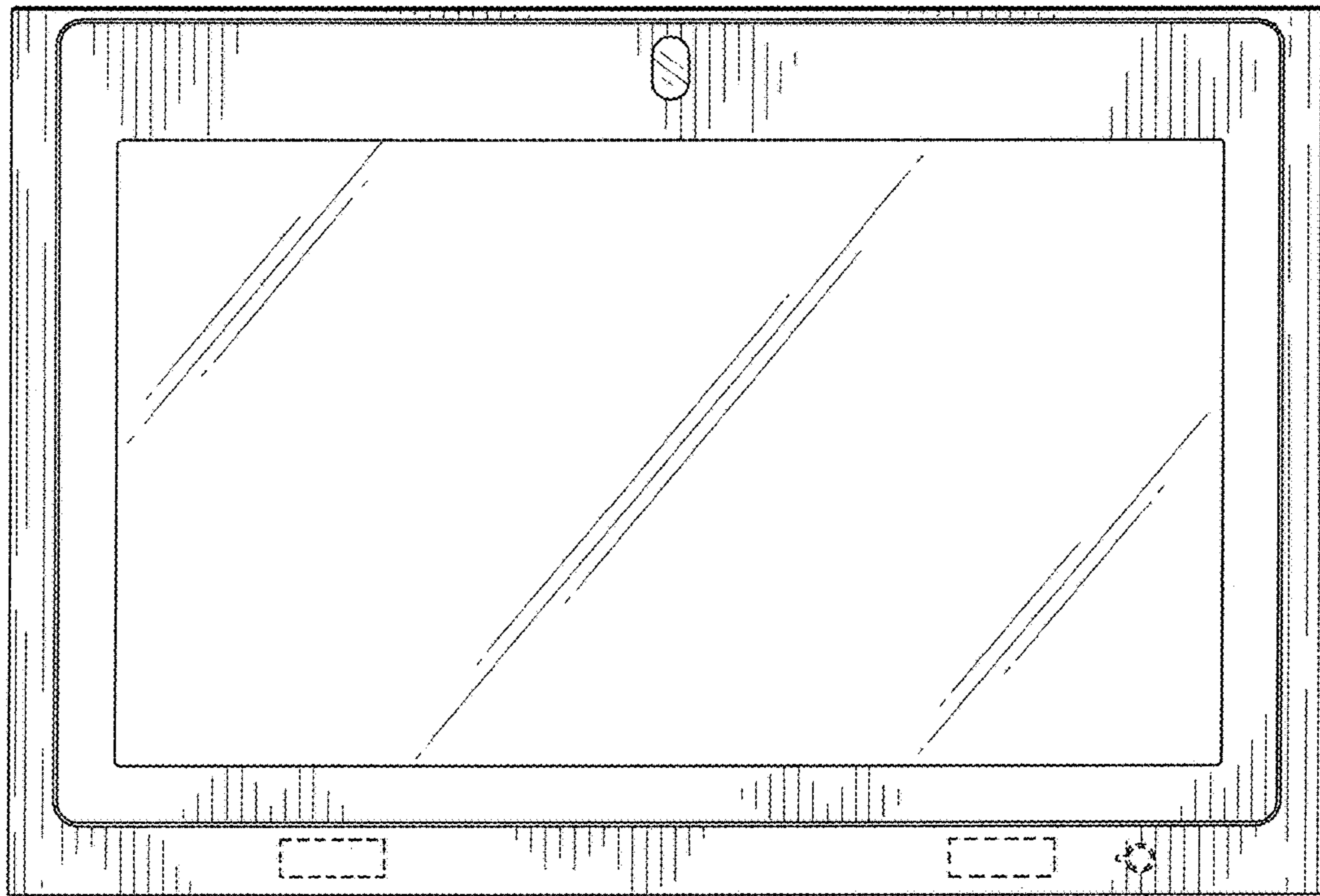


Fig. 1

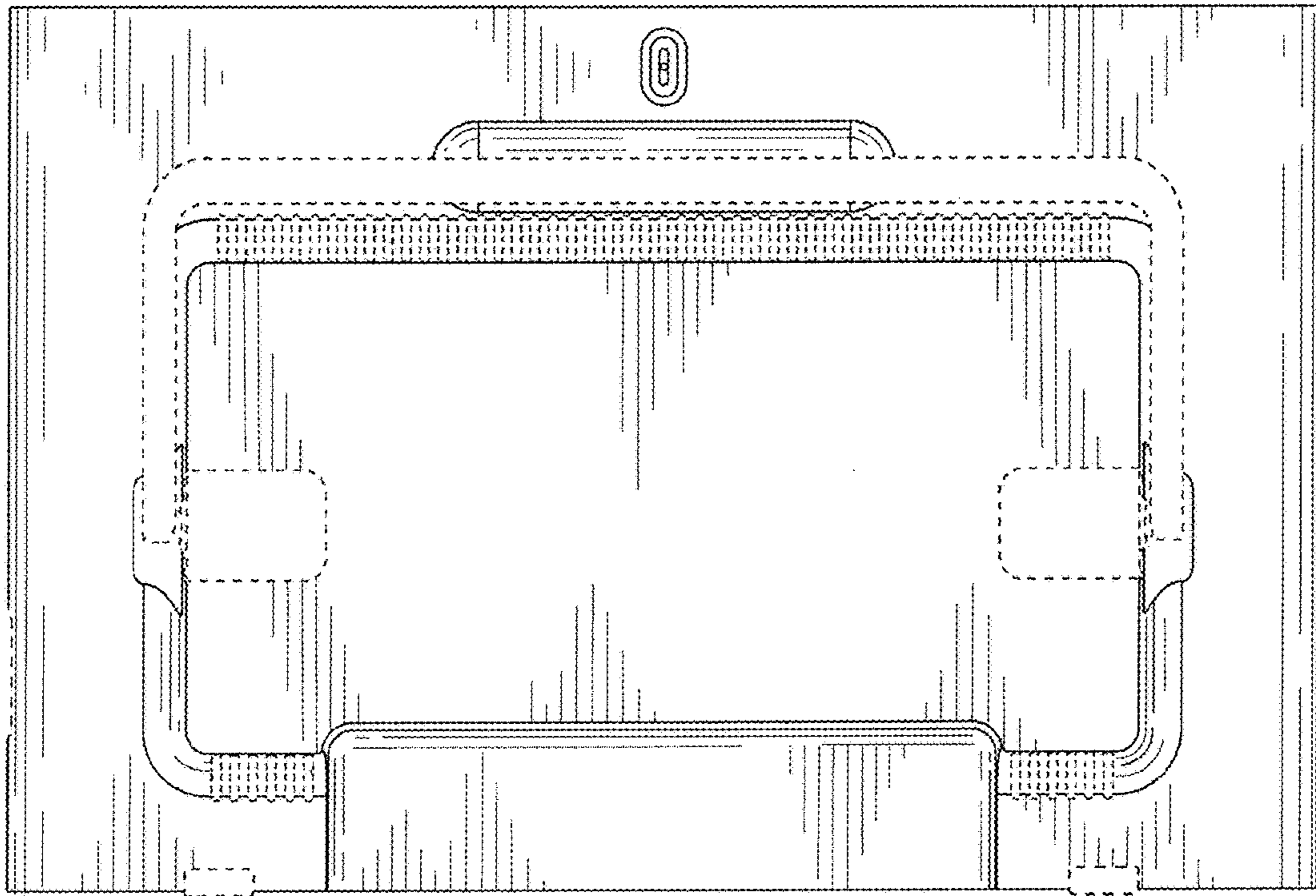


Fig. 2

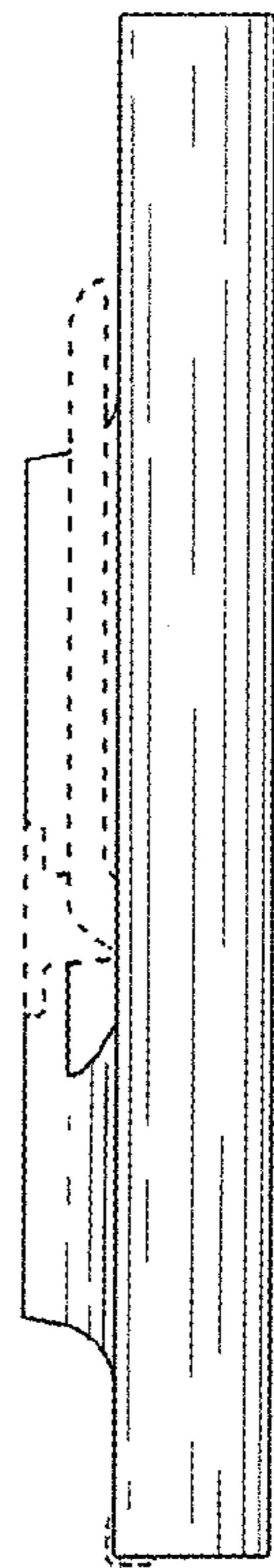


Fig. 3

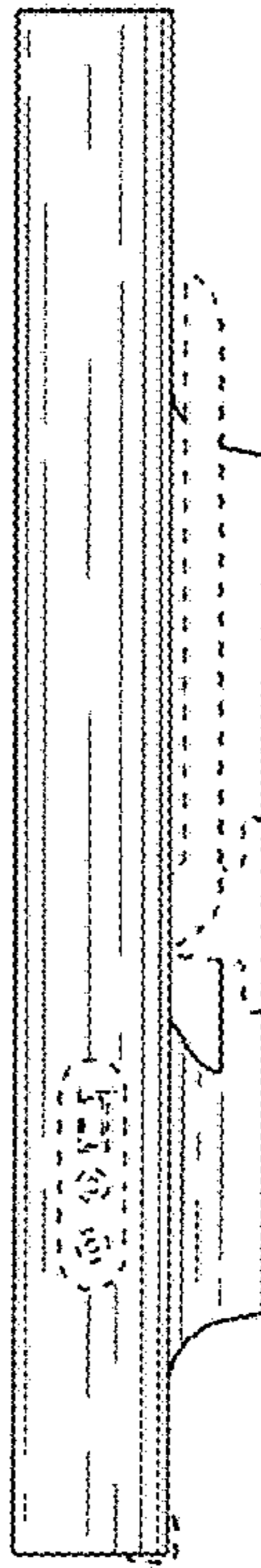


Fig. 4

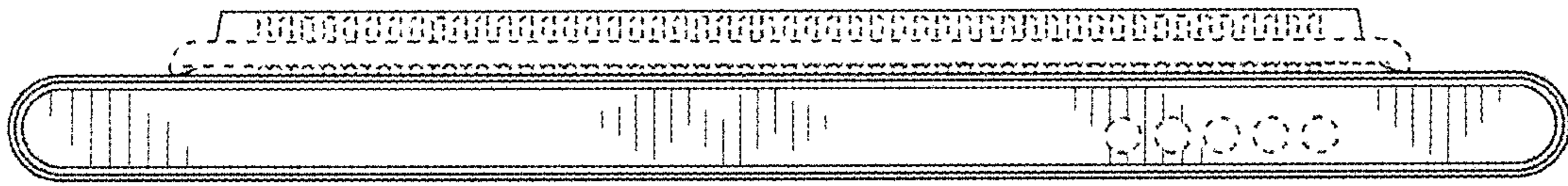


Fig. 5

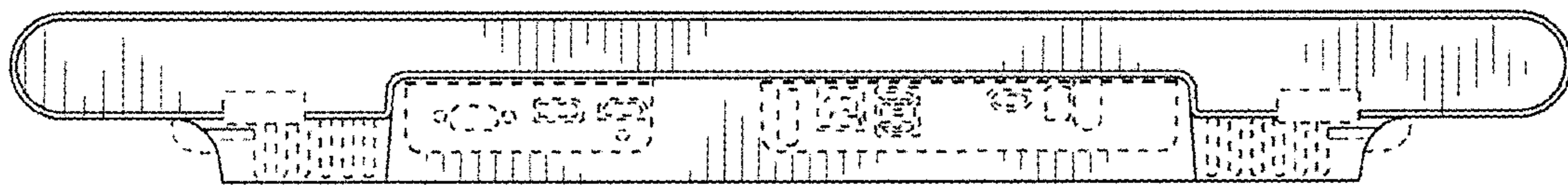


Fig. 6



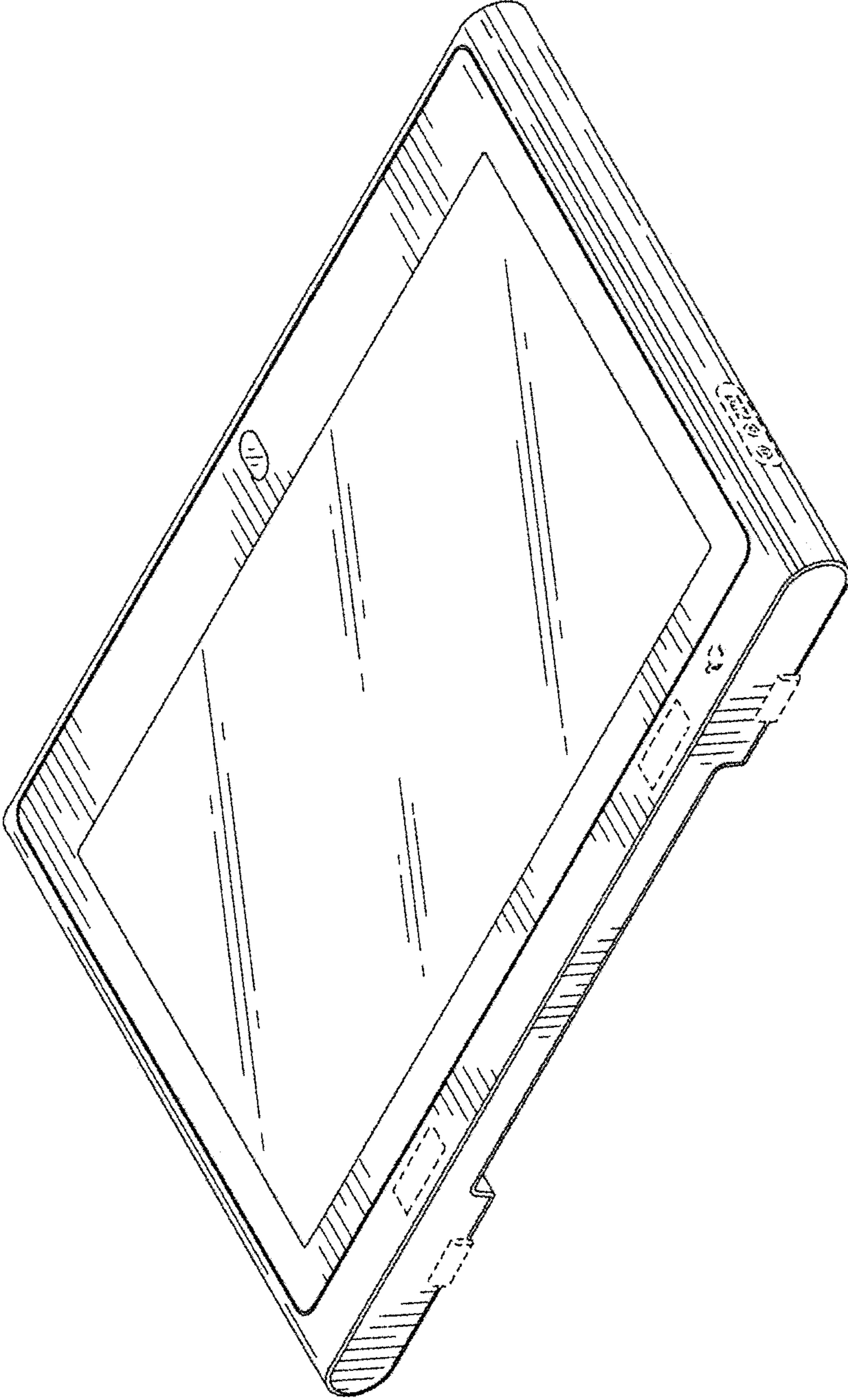


Fig. 7

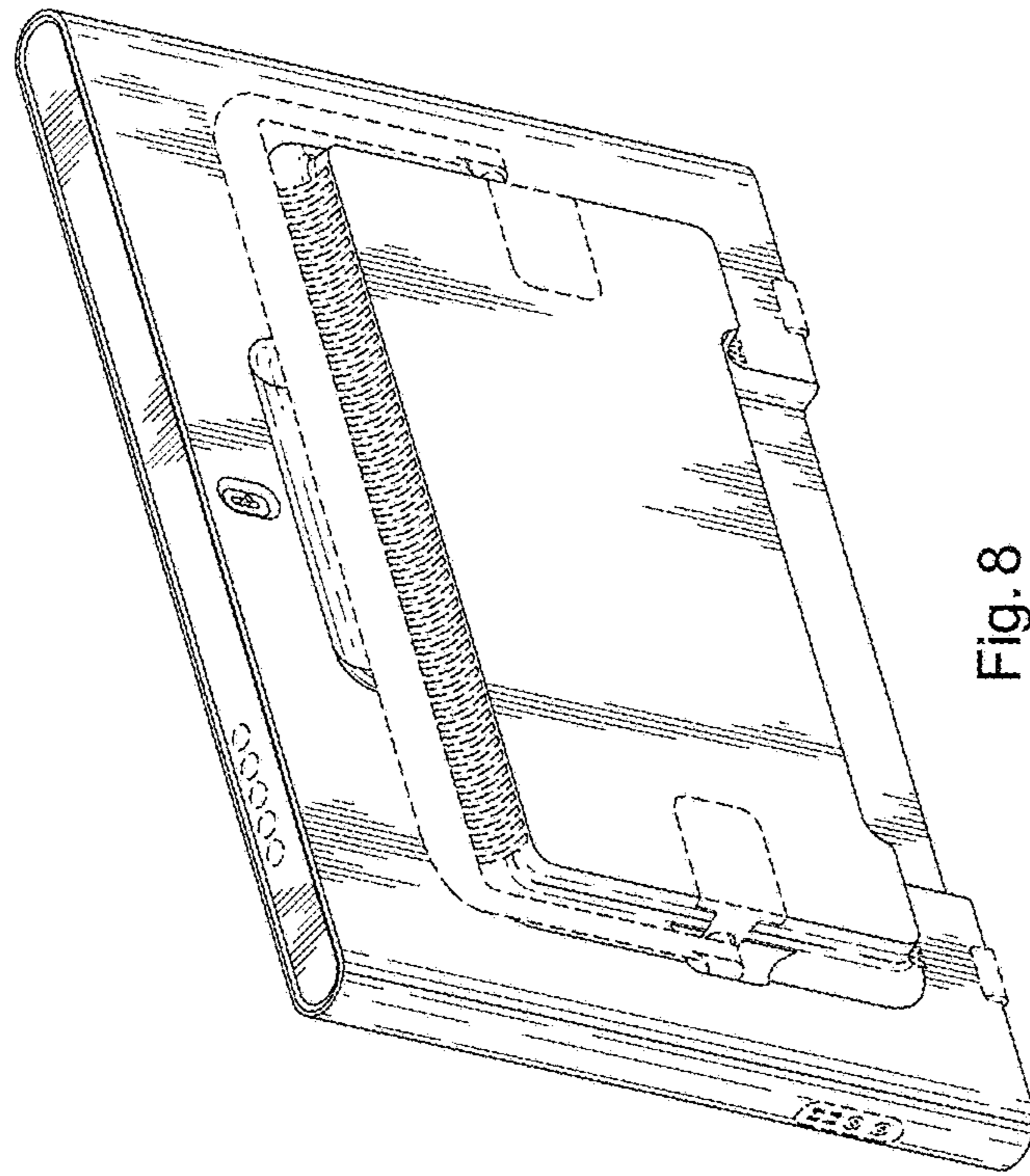


Fig. 8