



US00D797847S

(12) **United States Design Patent**
Zhang

(10) **Patent No.:** **US D797,847 S**

(45) **Date of Patent:** **** Sep. 19, 2017**

(54) **ABACUS**

(71) Applicant: **Shi Zhang**, Beijing (CN)

(72) Inventor: **Shi Zhang**, Beijing (CN)

(**) Term: **15 Years**

(21) Appl. No.: **29/558,322**

(22) Filed: **Mar. 16, 2016**

(51) **LOC (10) Cl.** **19-07**

(52) **U.S. Cl.**
USPC **D19/59**

(58) **Field of Classification Search**

USPC D19/59-64, 31; D18/6; 434/109,
434/188-189, 191-197, 200-205,
434/209-211; D21/337, 393; 273/260,
273/271; D10/46.1, 70; D28/67;
D8/356; D7/699; D9/645; D6/306;
708/141; 235/123; D99/26
CPC . G06C 1/00; G09B 19/02; G09B 1/10; G09B
1/02; A63F 9/0073; A63F 3/00634; G06F
15/0216; B60R 21/207; B64D 11/06
See application file for complete search history.

(56) **References Cited**

U.S. PATENT DOCUMENTS

- 2,655,737 A * 10/1953 Don Dero G09B 19/02
434/203
- D181,754 S * 12/1957 Schott D18/6
- 2,872,742 A * 2/1959 Schott G06C 1/00
434/203
- 3,076,272 A * 2/1963 Schott G06C 1/00
434/203
- 3,131,488 A * 5/1964 Slater G09B 19/02
434/195
- 3,151,404 A * 10/1964 Schott G06C 1/00
235/123
- 3,381,394 A * 5/1968 Munro G09B 19/02
434/193

- 3,387,392 A * 6/1968 Kurz G06C 1/00
235/123
- 3,455,034 A * 7/1969 Schott G09B 19/02
434/203
- 3,508,348 A * 4/1970 Harada Kogane G06C 1/00
434/203
- 3,633,287 A * 1/1972 Squires G09B 19/02
434/189
- 3,688,418 A * 9/1972 Wilson G06C 1/00
434/203
- 3,731,401 A * 5/1973 Kojima G09B 19/02
434/203
- 3,871,114 A * 3/1975 Honig G09B 19/02
434/196
- 3,982,331 A * 9/1976 Solomon G09B 19/02
273/271
- D248,332 S * 6/1978 Bailey D21/393
- D249,697 S * 9/1978 Hester D19/59
- 4,340,232 A * 7/1982 Shaw A63F 3/00634
273/260
- D282,669 S * 2/1986 Conlee, Jr. D18/6
- D284,975 S * 8/1986 Kwok D18/6

(Continued)

Primary Examiner — Ian Simmons
Assistant Examiner — Mark Cavanna

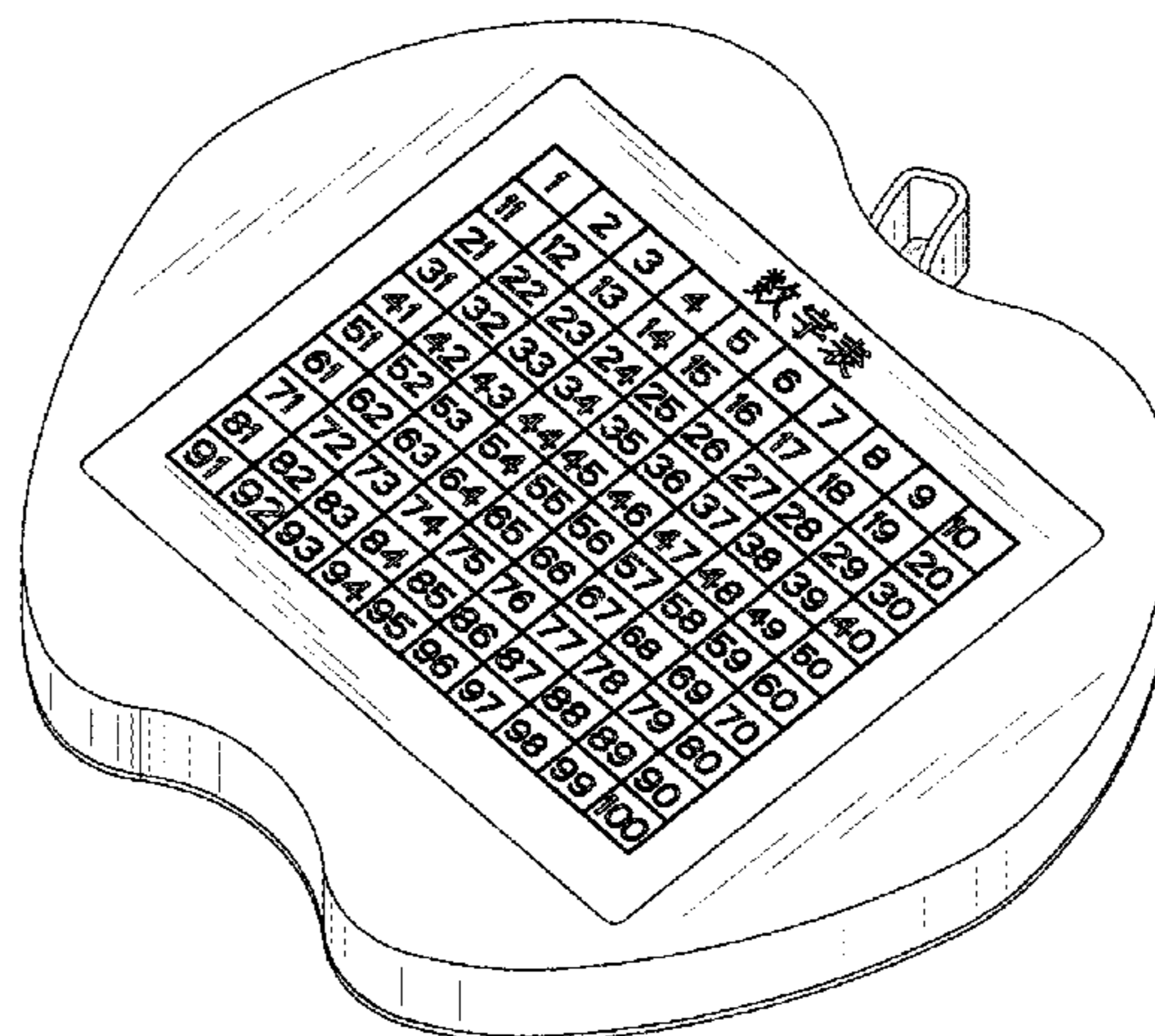
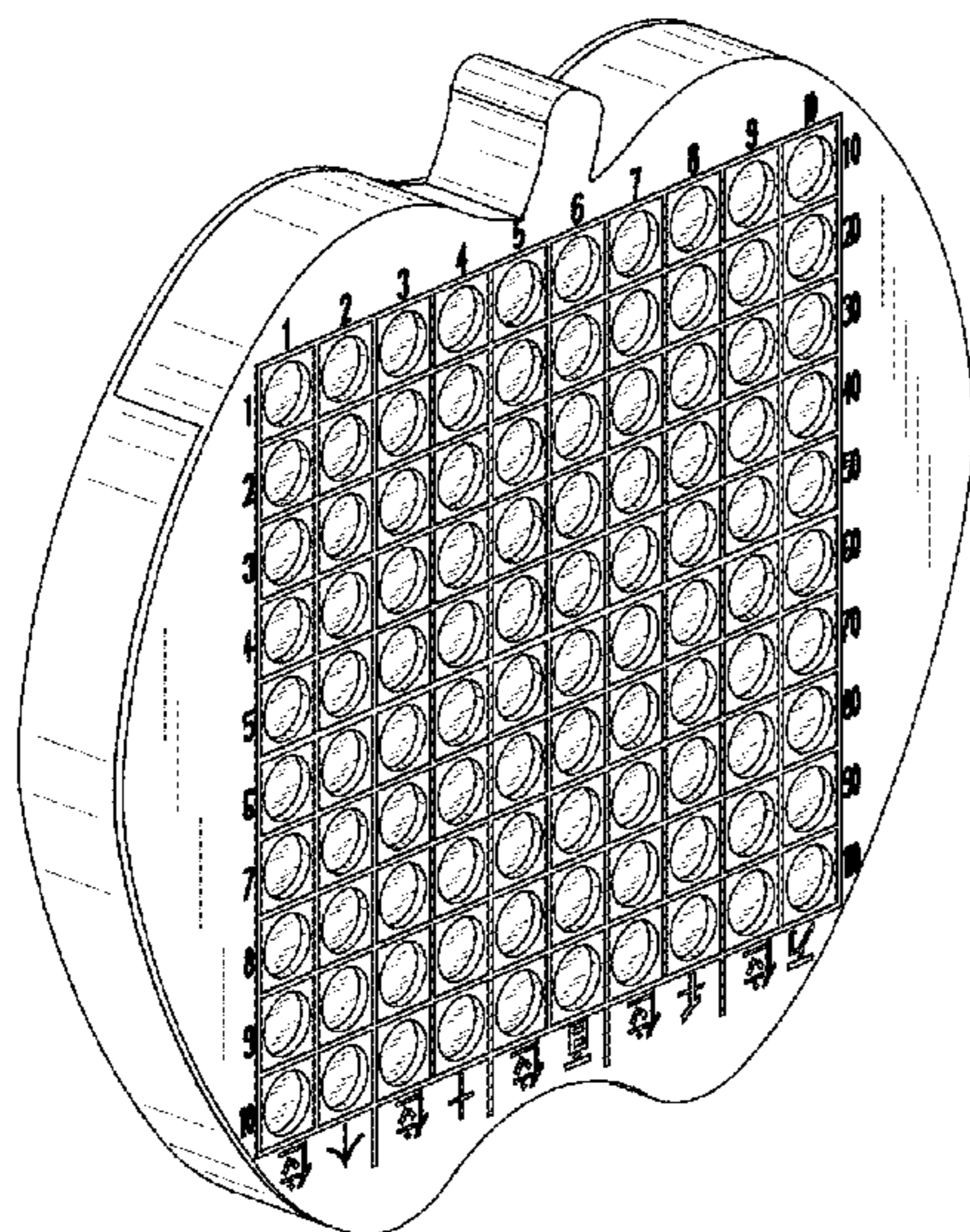
(57) **CLAIM**

The ornamental design for an abacus, as shown and described.

DESCRIPTION

FIG. 1 is a front elevation view of the abacus showing my new design;
FIG. 2 is a back elevation view thereof;
FIG. 3 is a left elevation view thereof;
FIG. 4 is a right elevation view thereof;
FIG. 5 is a top view thereof;
FIG. 6 is a bottom view thereof;
FIG. 7 is a perspective view thereof; and,
FIG. 8 is another perspective view thereof.

1 Claim, 5 Drawing Sheets



(56)

References Cited

U.S. PATENT DOCUMENTS

4,812,124 A * 3/1989 Colodner G06C 1/00
434/203
4,884,973 A * 12/1989 Pak G09B 19/02
434/205
D313,628 S * 1/1991 Delcambre D19/59
D313,700 S * 1/1991 Zoldessy D6/306
4,993,952 A * 2/1991 Yeh G09B 19/02
434/191
5,134,692 A * 7/1992 Hiromori G06C 1/00
708/141
D339,754 S * 9/1993 Cranmer D10/46.1
D370,498 S * 6/1996 Kelly D19/60
D390,793 S * 2/1998 DeLong, Sr. D10/70
5,725,380 A * 3/1998 Kennelly G09B 19/02
434/192
D433,055 S * 10/2000 Hanthorn D18/6
6,712,614 B1 * 3/2004 Henderson B64D 11/06205
434/202
D489,971 S * 5/2004 Tamez D28/67

D513,762 S * 1/2006 Young 434/203
D528,405 S * 9/2006 Kelleghan D8/356
D579,352 S * 10/2008 Brodie D10/46.1
D615,828 S * 5/2010 Shamoon D7/699
D641,535 S * 7/2011 Kan D99/37
D656,202 S * 3/2012 Fuchs D21/337
D680,294 S * 4/2013 Boyer D99/26
D751,918 S * 3/2016 Hojaiban D9/645
D759,751 S * 6/2016 Jeremiah D19/31
2006/0228680 A1 * 10/2006 Cotter G09B 19/02
434/188
2007/0166673 A1 * 7/2007 Frieman G09B 19/02
434/203
2008/0280273 A1 * 11/2008 Lee G06C 1/00
434/203
2012/0028229 A1 * 2/2012 Harte G09B 19/02
434/203
2012/0251986 A1 * 10/2012 Silas-Martin G09B 19/02
434/203
2013/0236864 A1 * 9/2013 Harte G09B 19/02
434/203

* cited by examiner

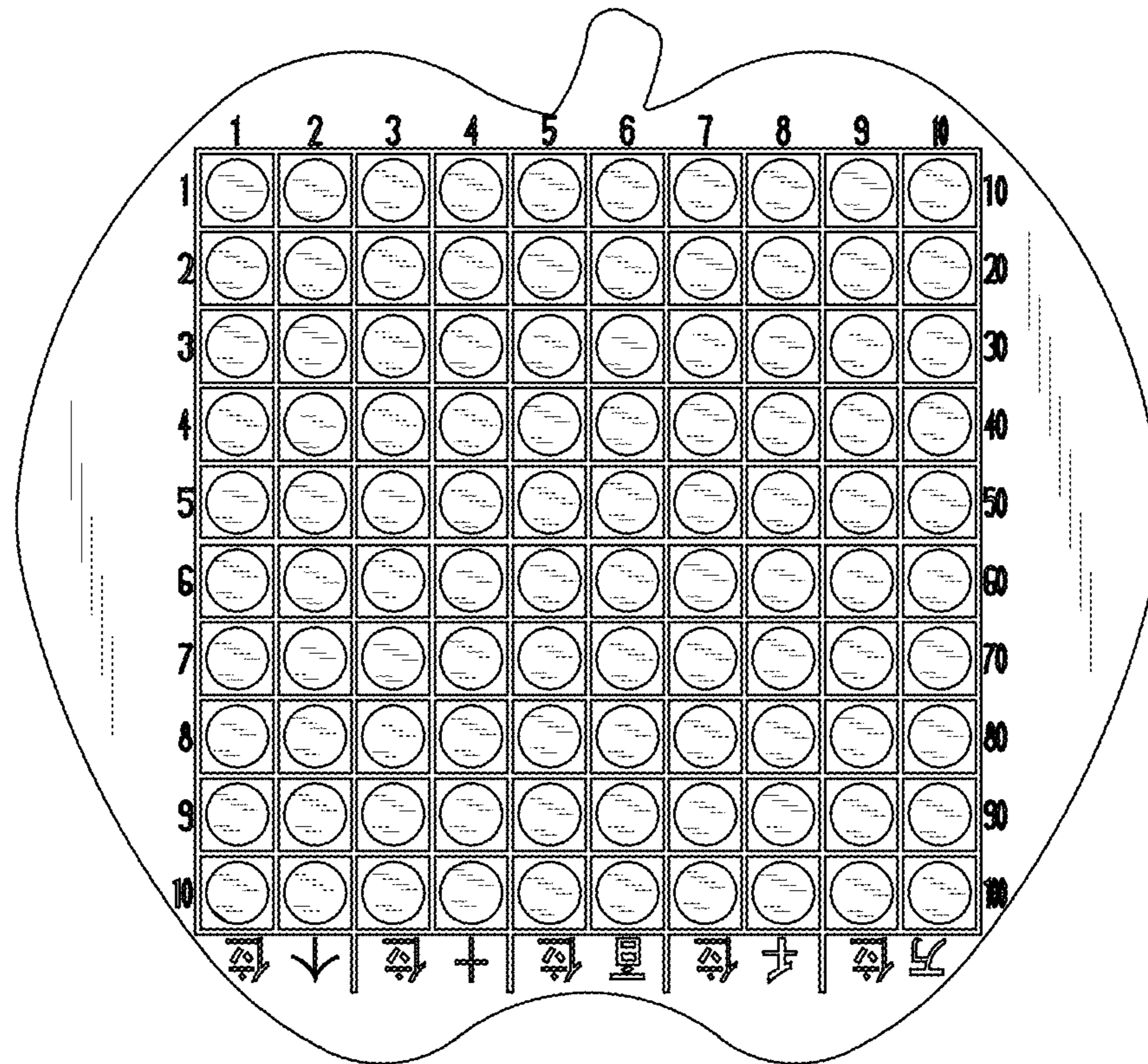


FIG. 1

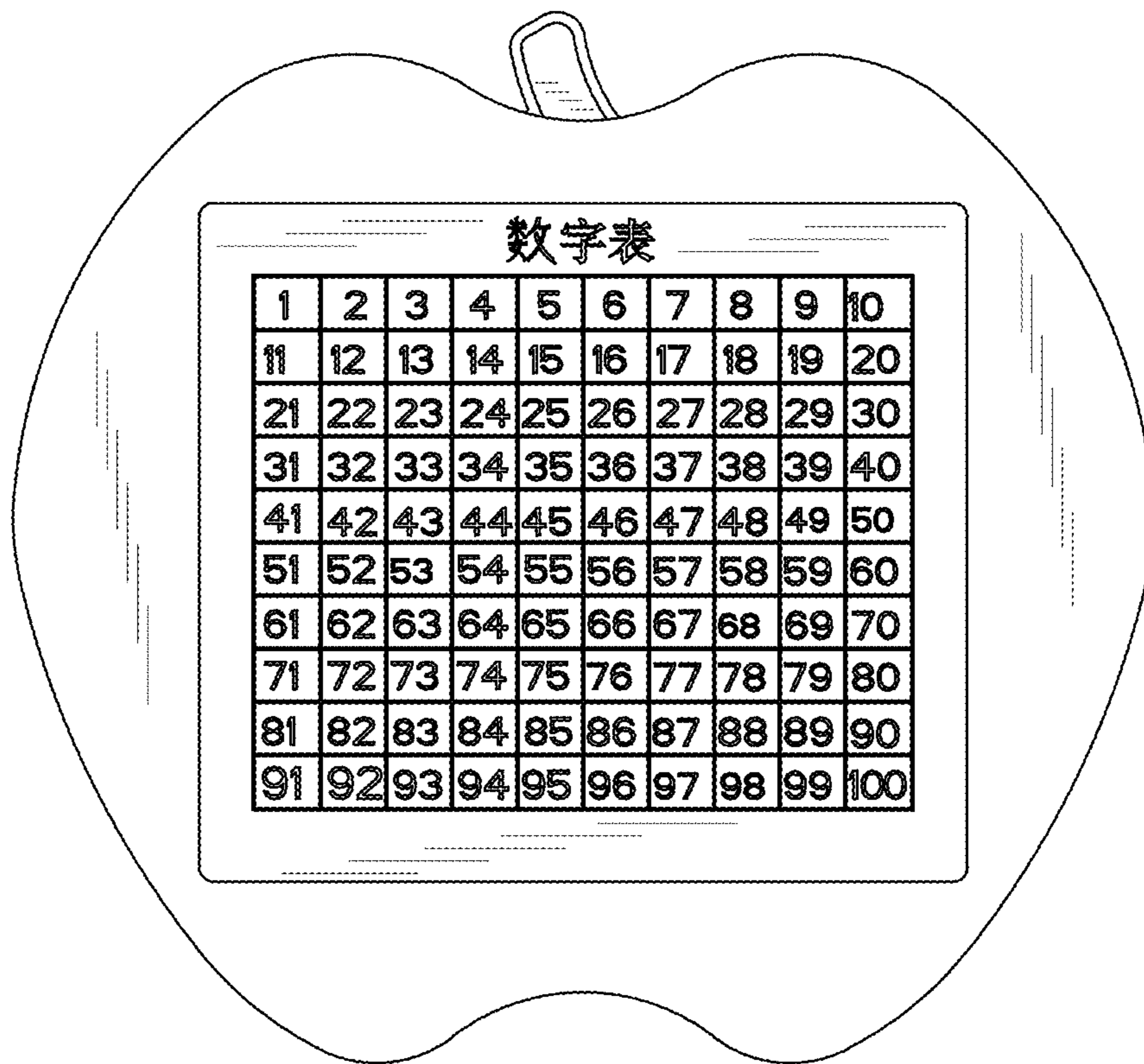


FIG.2

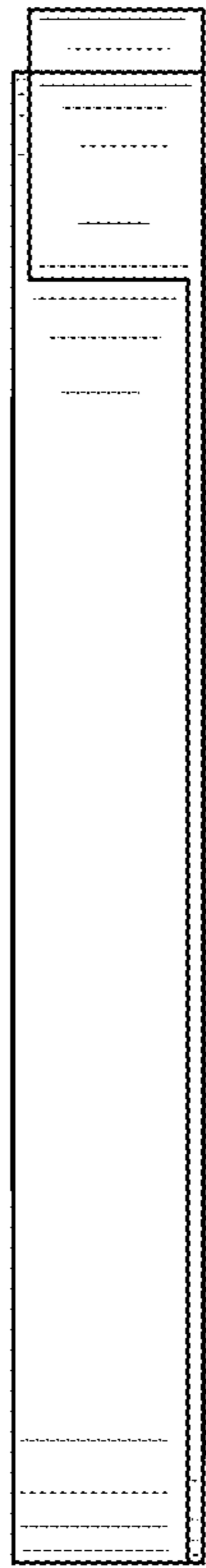


FIG.3

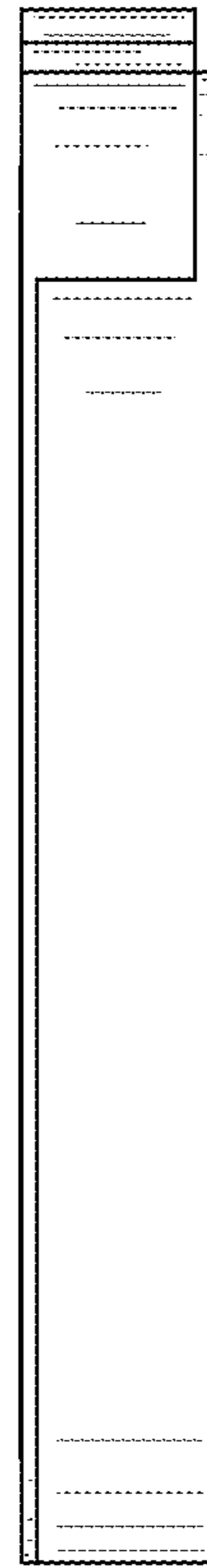


FIG.4

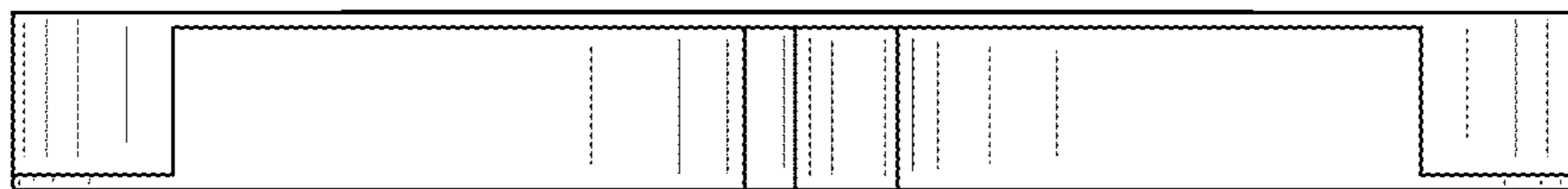


FIG.5

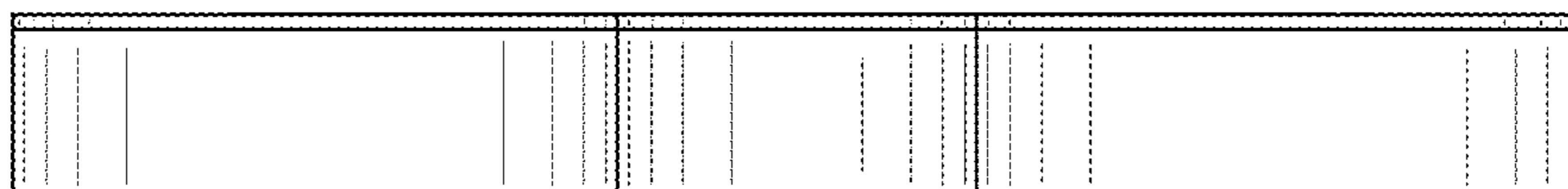


FIG.6

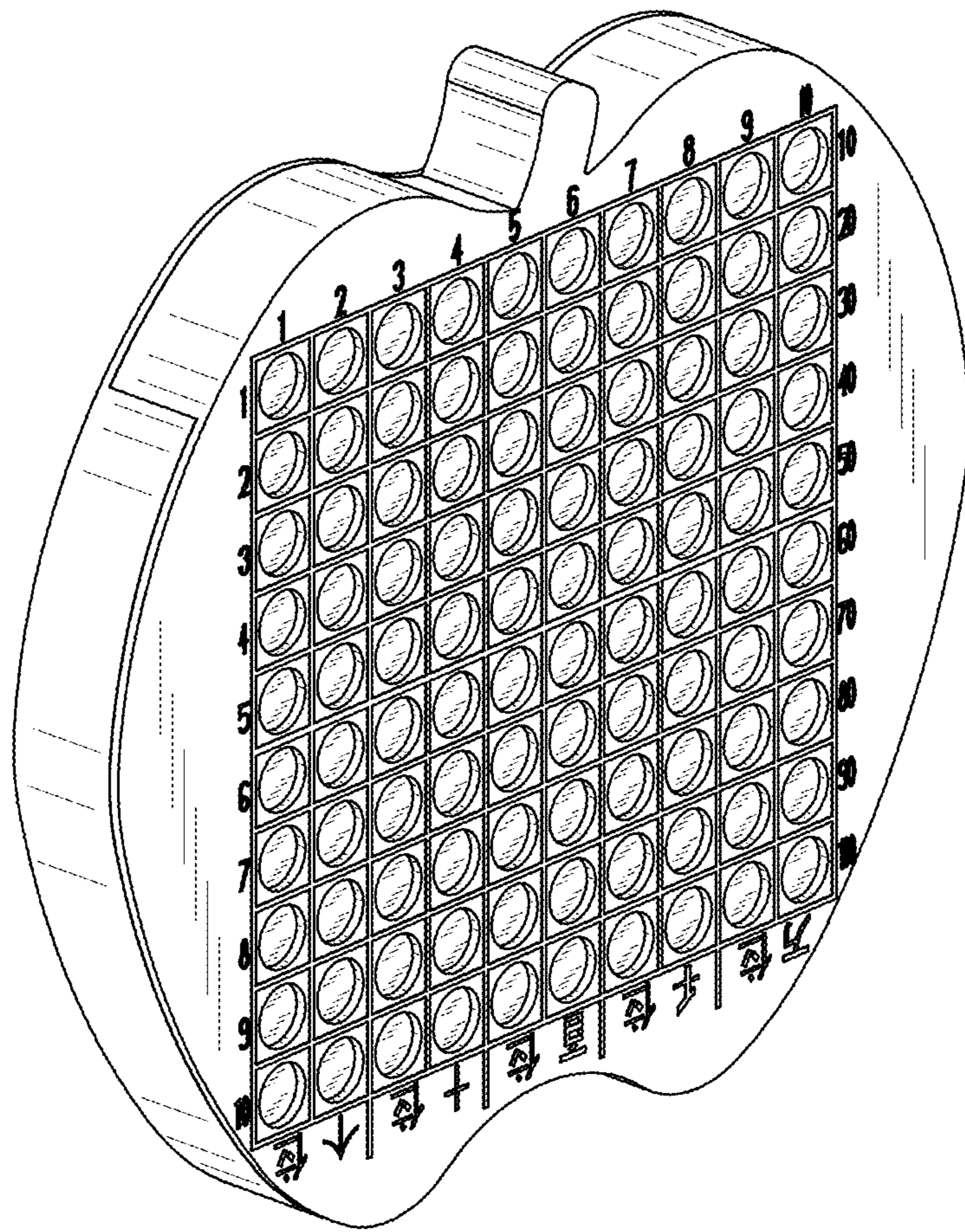


FIG.7

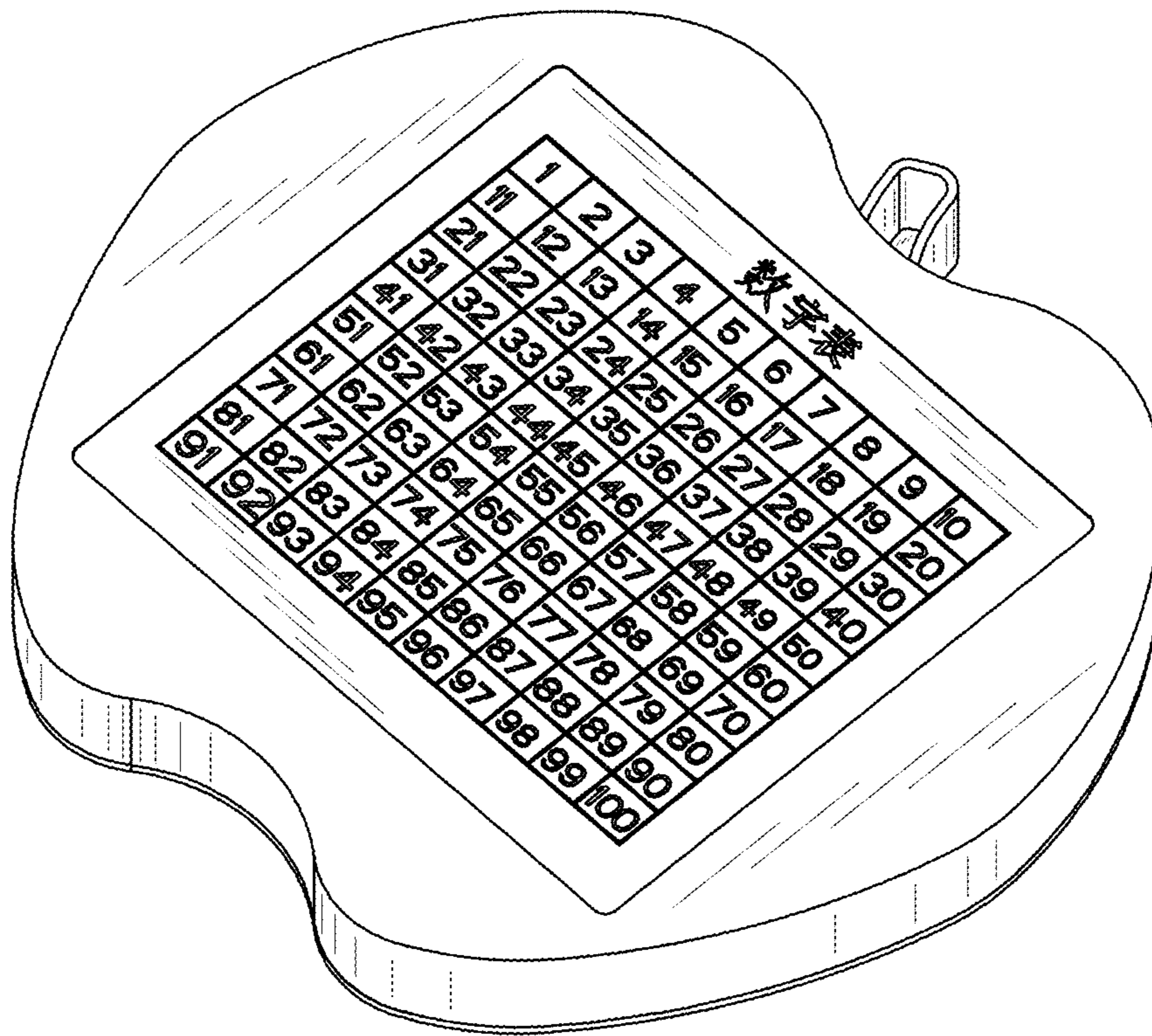


FIG.8