



US00D797846S

(12) **United States Design Patent** (10) **Patent No.:** **US D797,846 S**  
**Coram** (45) **Date of Patent:** **\*\* Sep. 19, 2017**

- (54) **COMBINATION EXPANDABLE FOLDER WITH CLOSABLE COVER, AND SET OF DOG SHAPED TAB INSERTS**
- (71) Applicant: **Alice Coram**, Raleigh, NC (US)
- (72) Inventor: **Alice Coram**, Raleigh, NC (US)
- (\*\*) Term: **14 Years**
- (21) Appl. No.: **29/522,963**
- (22) Filed: **Apr. 6, 2015**
- (51) **LOC (10) Cl.** ..... **19-04**
- (52) **U.S. Cl.**  
USPC ..... **D19/26**
- (58) **Field of Classification Search**  
USPC ..... D19/26, 27, 33, 34, 75, 7, 29; D3/303, D3/900, 290, 299; D9/711  
(Continued)

(56) **References Cited**

U.S. PATENT DOCUMENTS

- 1,768,496 A \* 6/1930 Trager ..... A45C 3/02  
190/119
- D189,711 S \* 1/1961 Makofsky ..... D3/290  
(Continued)

FOREIGN PATENT DOCUMENTS

- CA 2367668 A1 \* 9/2000 ..... A45C 7/0068
- GB 2089978 \* 2/2005
- JP D1543862 \* 2/2016

*Primary Examiner* — Bridget L Eland  
*Assistant Examiner* — Lauren McVey  
 (74) *Attorney, Agent, or Firm* — Robert W. Pitts

(57) **CLAIM**

I claim the ornamental design for a combination expandable folder with closable cover, and set of dog shaped tab inserts, as shown and described.

**DESCRIPTION**

FIG. 1 is a top front perspective view of a combination expandable folder with closable cover, and set of dog shaped

tab inserts, showing my new design in a closed position and folded in a flattened position;

FIG. 2 is a bottom front perspective view of the combination expandable folder with closable cover, and set of dog shaped tab inserts in a closed position wherein the top and bottom are shown in a partially expanded position;

FIG. 3 is a top front perspective view of the combination expandable folder with closable cover, and set of dog shaped tab inserts, shown in an open position with insert tabs removed in order to show aspects of the design that would not otherwise be apparent;

FIG. 4 is another front perspective view thereof;

FIG. 5 is a top front perspective view of the combination expandable folder with closable cover, and set of dog shaped tab inserts in a closed and expanded position;

FIG. 6 is a rear perspective view thereof;

FIG. 7 is a side perspective view of the combination expandable folder with closable cover, and set of dog shaped tab inserts in an open and expanded position with the tab inserts removed in order to show aspects of the design that would not otherwise be apparent;

FIG. 8 is a rear view thereof;

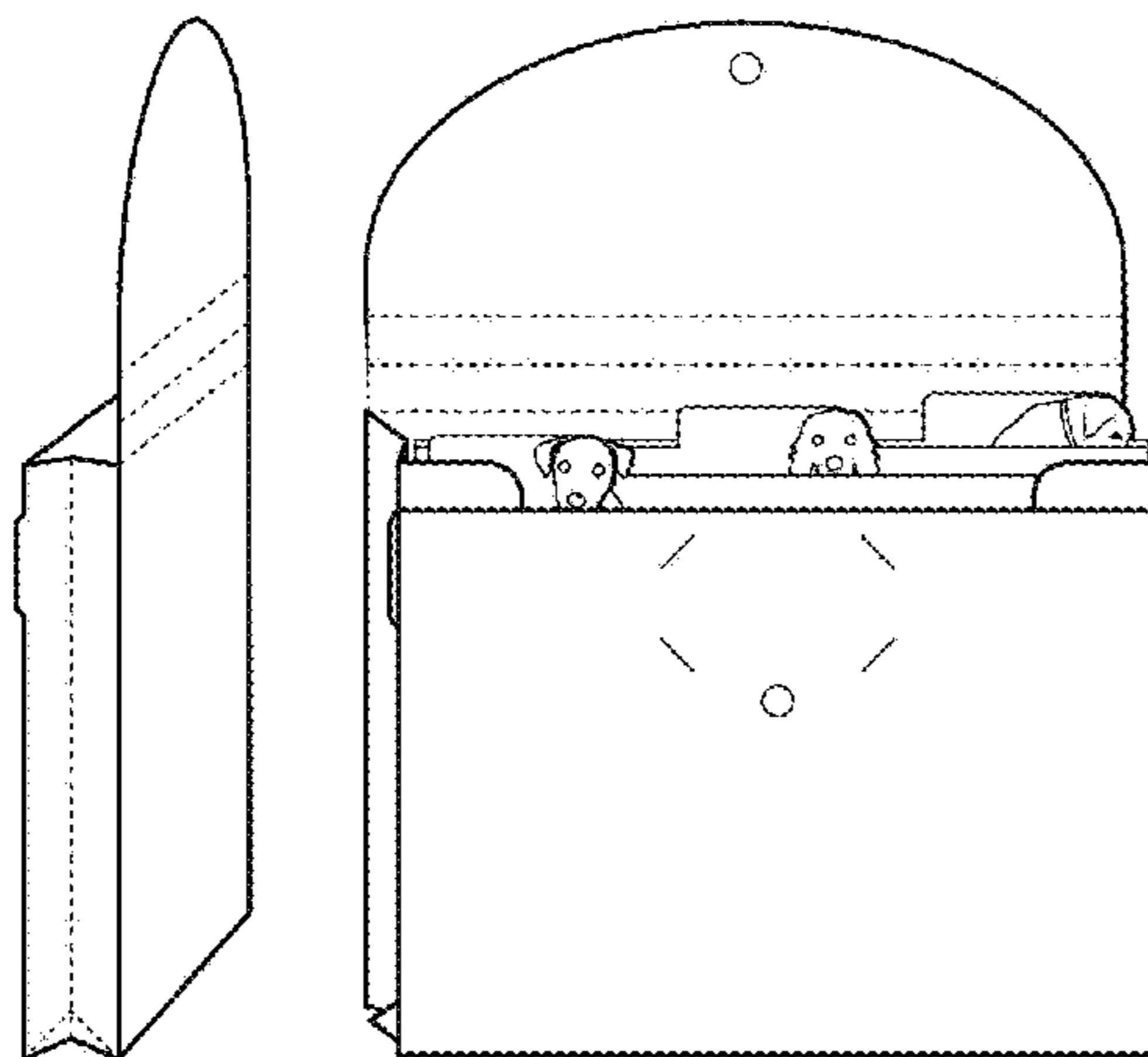
FIG. 9 is a front perspective view of the combination expandable folder with closable cover, and set of dog shaped tab inserts in an open and expanded position wherein the tab inserts are shown;

FIG. 10 is a front elevation view of the combination expandable folder with closable cover, and set of dog shaped tab inserts wherein a first position tab insert is shown removed from the expandable folder in order to show aspects of the design that would not otherwise be apparent;

FIG. 11 is a front elevation view of the combination expandable folder with closable cover, and set of dog shaped tab inserts wherein a second position tab insert is shown removed from the expandable folder in order to show aspects of the design that would not otherwise be apparent; and,

FIG. 12 is a front elevation view of the combination expandable folder with closable cover, and set of dog shaped tab inserts wherein a third position tab insert is shown removed from the expandable folder in order to show aspects of the design that would not otherwise be apparent.

(Continued)



The dashed lines in the figures show fold lines, and form part of the claimed design.

**1 Claim, 6 Drawing Sheets**

**(58) Field of Classification Search**

CPC ..... B42F 7/02; B42F 7/04; B42F 7/06; B42F 7/08; B42F 11/02; B42F 21/02; B42F 21/04; B42P 2221/04; B42P 2261/02; B65D 5/24; B65D 5/248

See application file for complete search history.

**(56) References Cited**

U.S. PATENT DOCUMENTS

D287,428 S \* 12/1986 Knoepke ..... D3/299  
D311,419 S \* 10/1990 Moor ..... D19/27  
5,492,268 A \* 2/1996 Biddle ..... B42F 17/00  
229/67.1  
D476,032 S \* 6/2003 Marchand ..... D19/26  
D739,460 S \* 9/2015 Gilbertson ..... D19/26  
9,168,780 B1 \* 10/2015 Waddell ..... B42F 7/065  
2003/0234281 A1 \* 12/2003 Ho ..... B42F 13/006  
229/67.3  
2008/0223907 A1 \* 9/2008 Su ..... B42F 7/02  
229/67.3  
2012/0241507 A1 \* 9/2012 Rowe ..... A45C 11/18  
229/67.3  
2014/0182175 A1 \* 7/2014 Rigas ..... B42F 21/02  
40/359  
2014/0367457 A1 \* 12/2014 Klosky ..... B42F 7/02  
229/67.1

\* cited by examiner

FIG 1

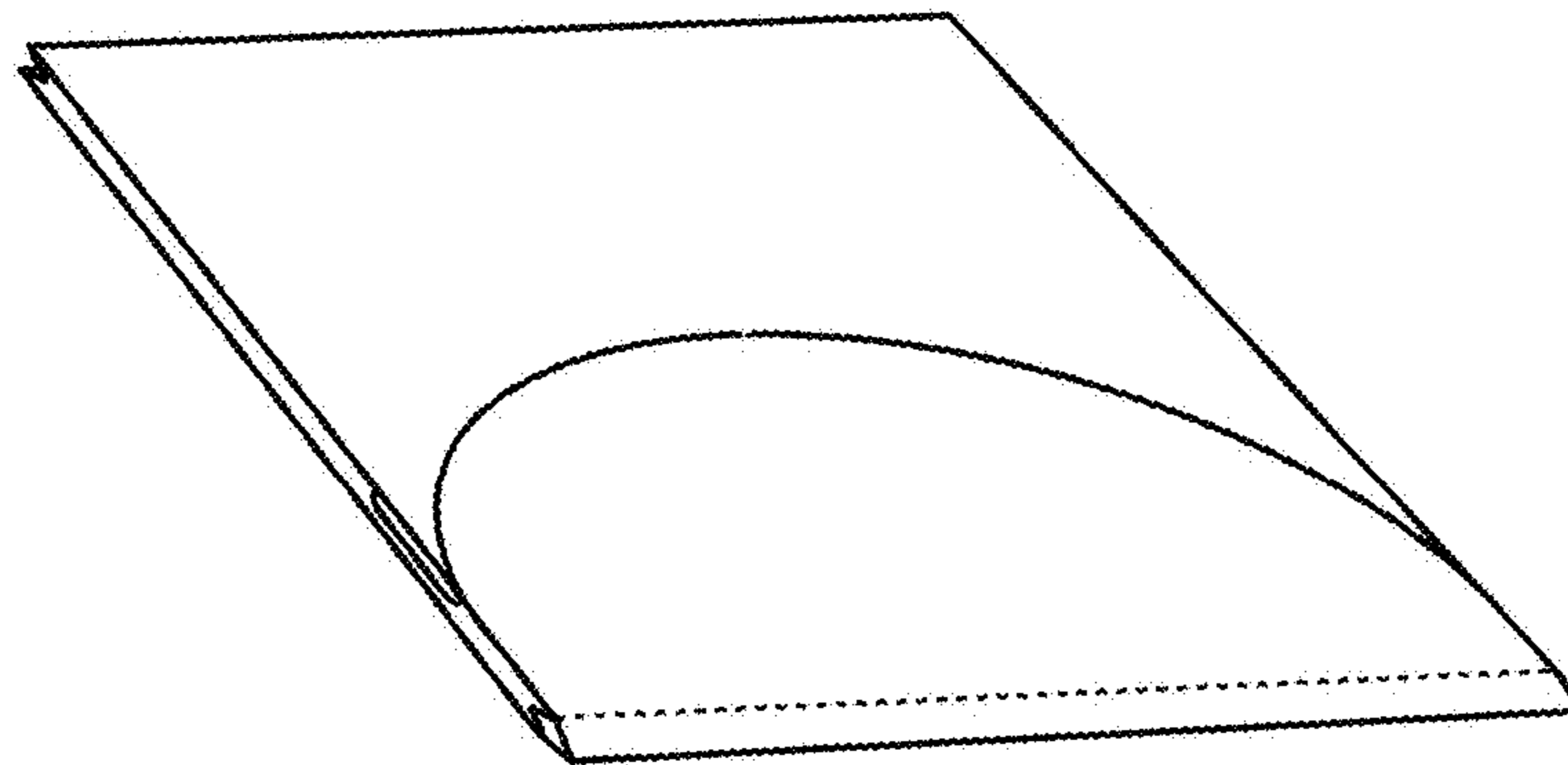


FIG 2

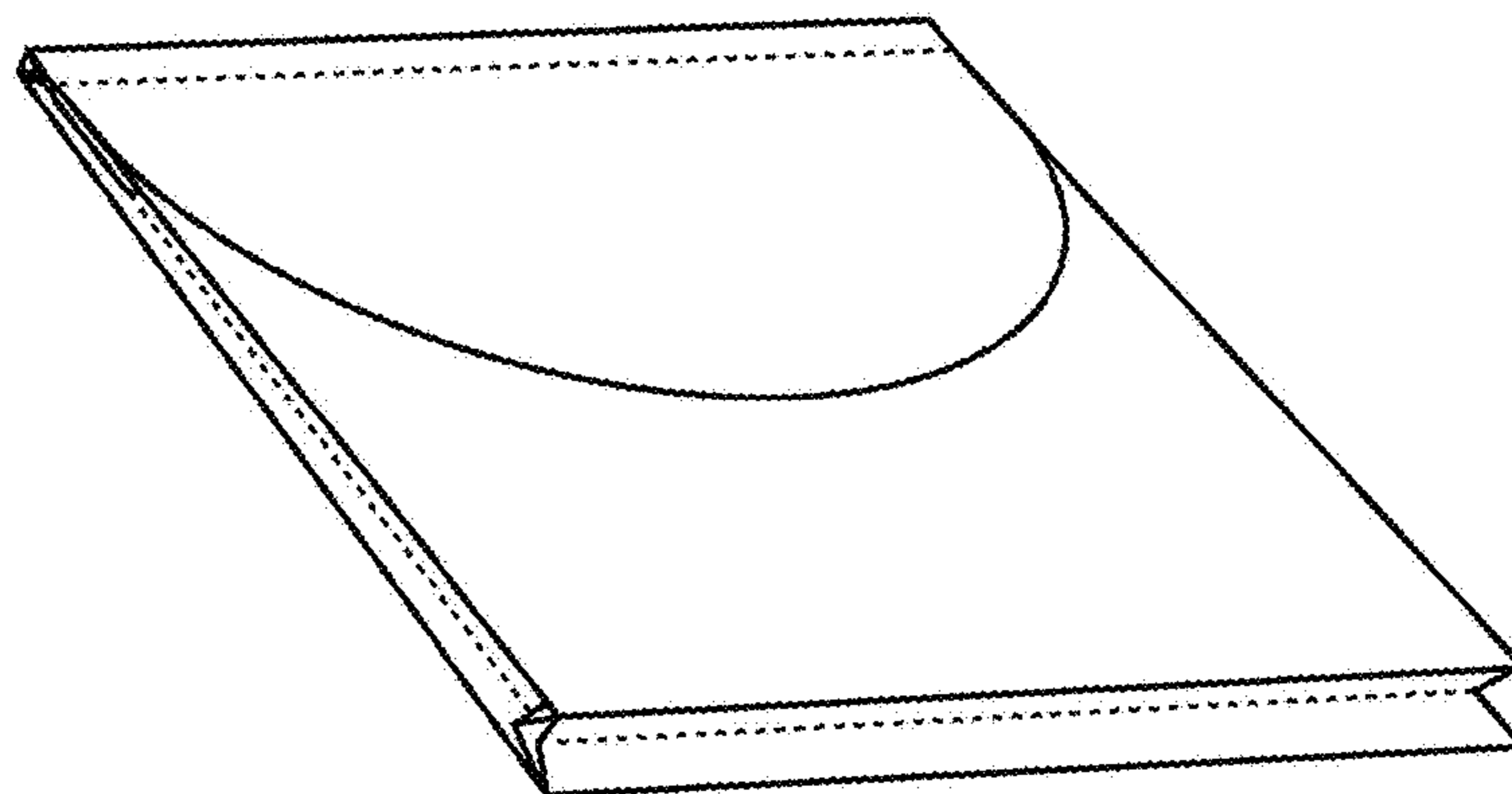


FIG 3

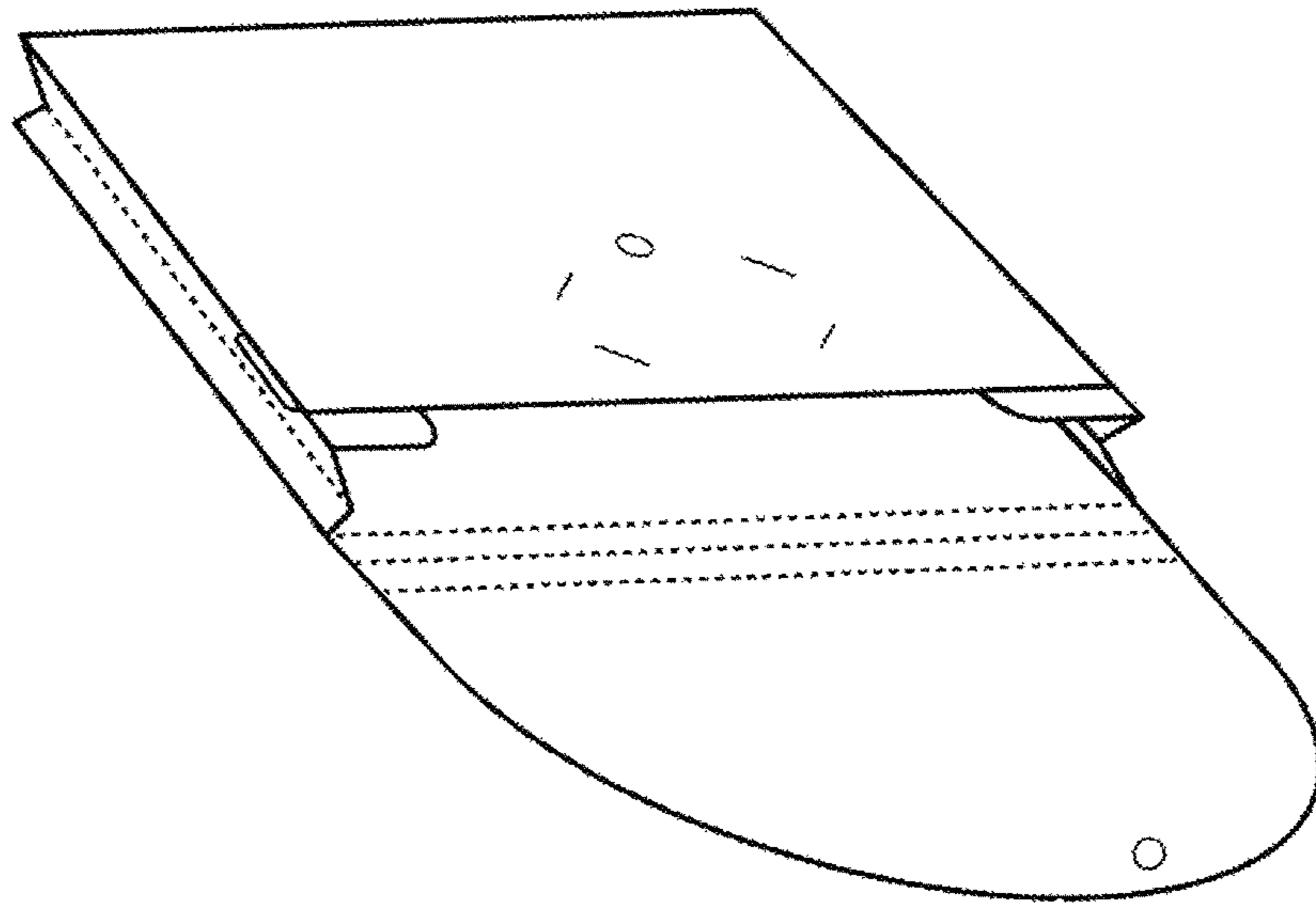


FIG 4

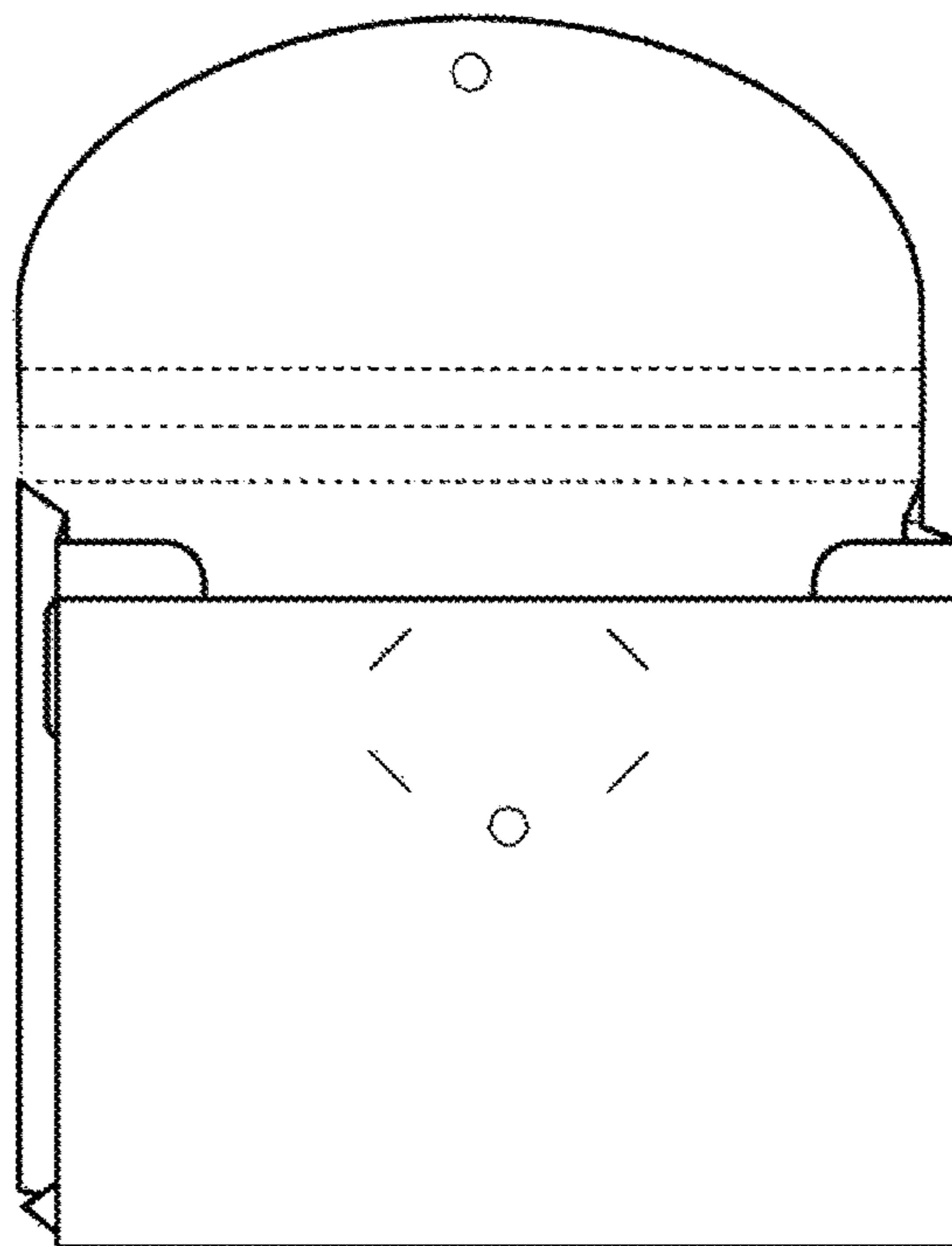


FIG 5

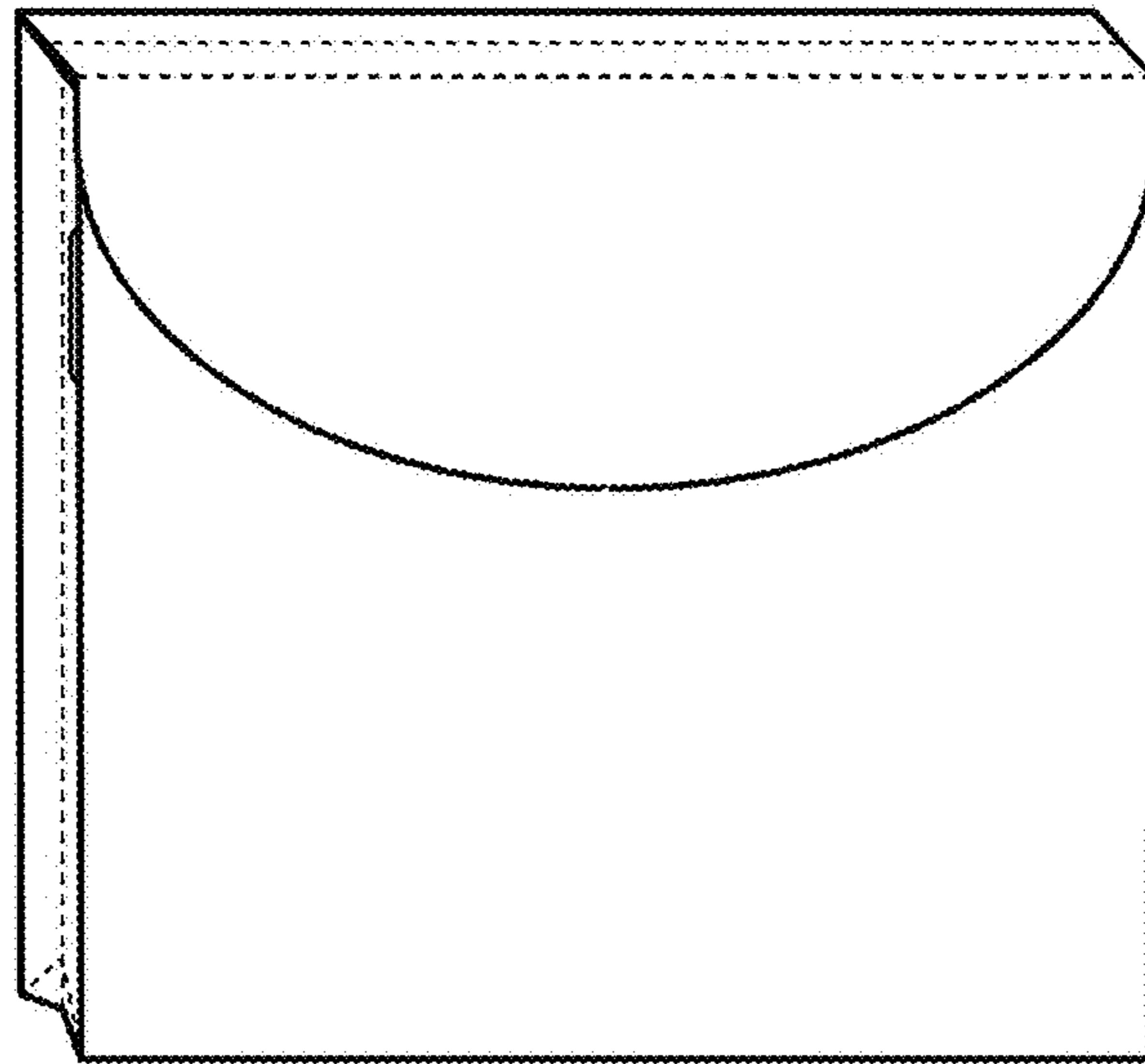


FIG 6

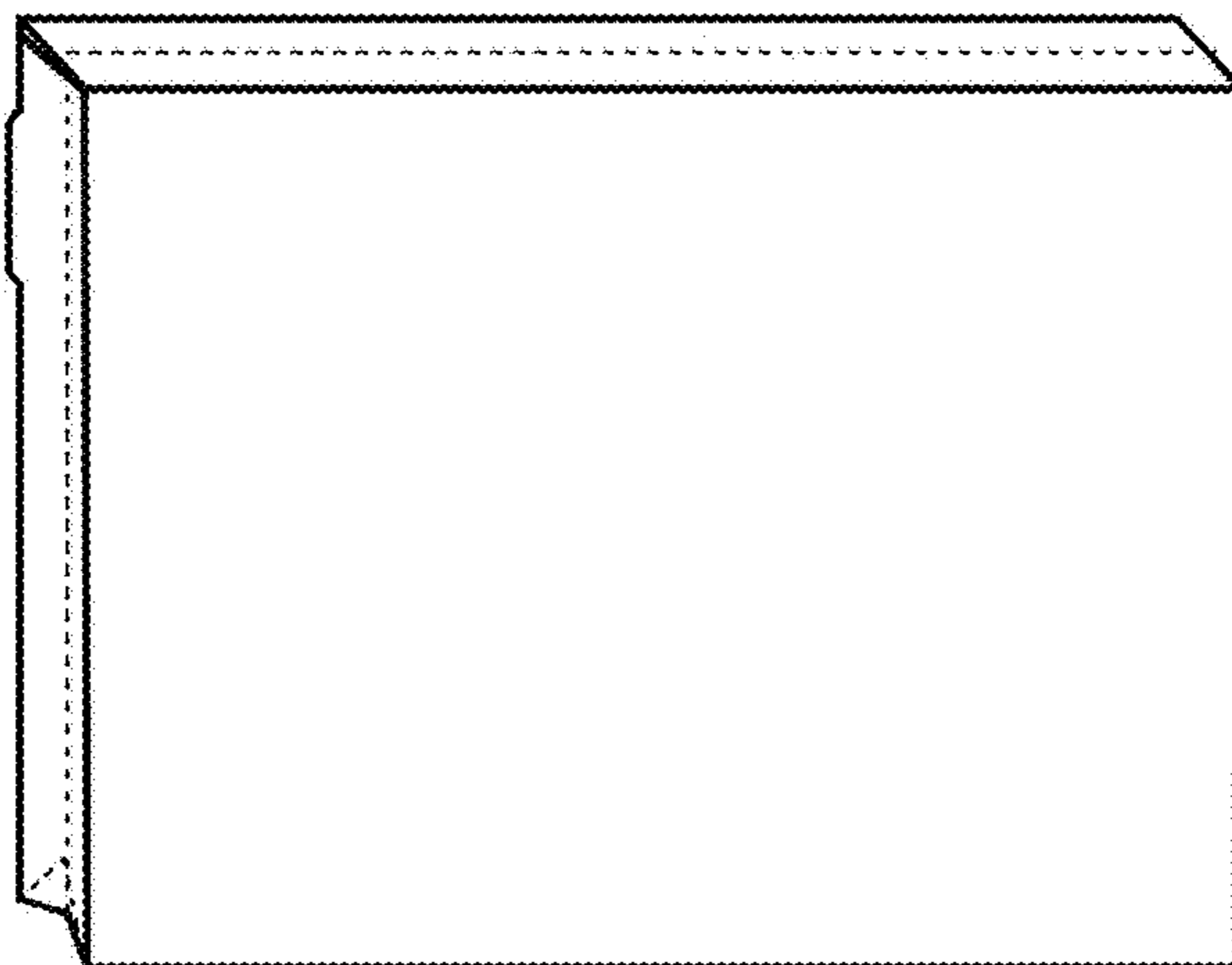




FIG 7

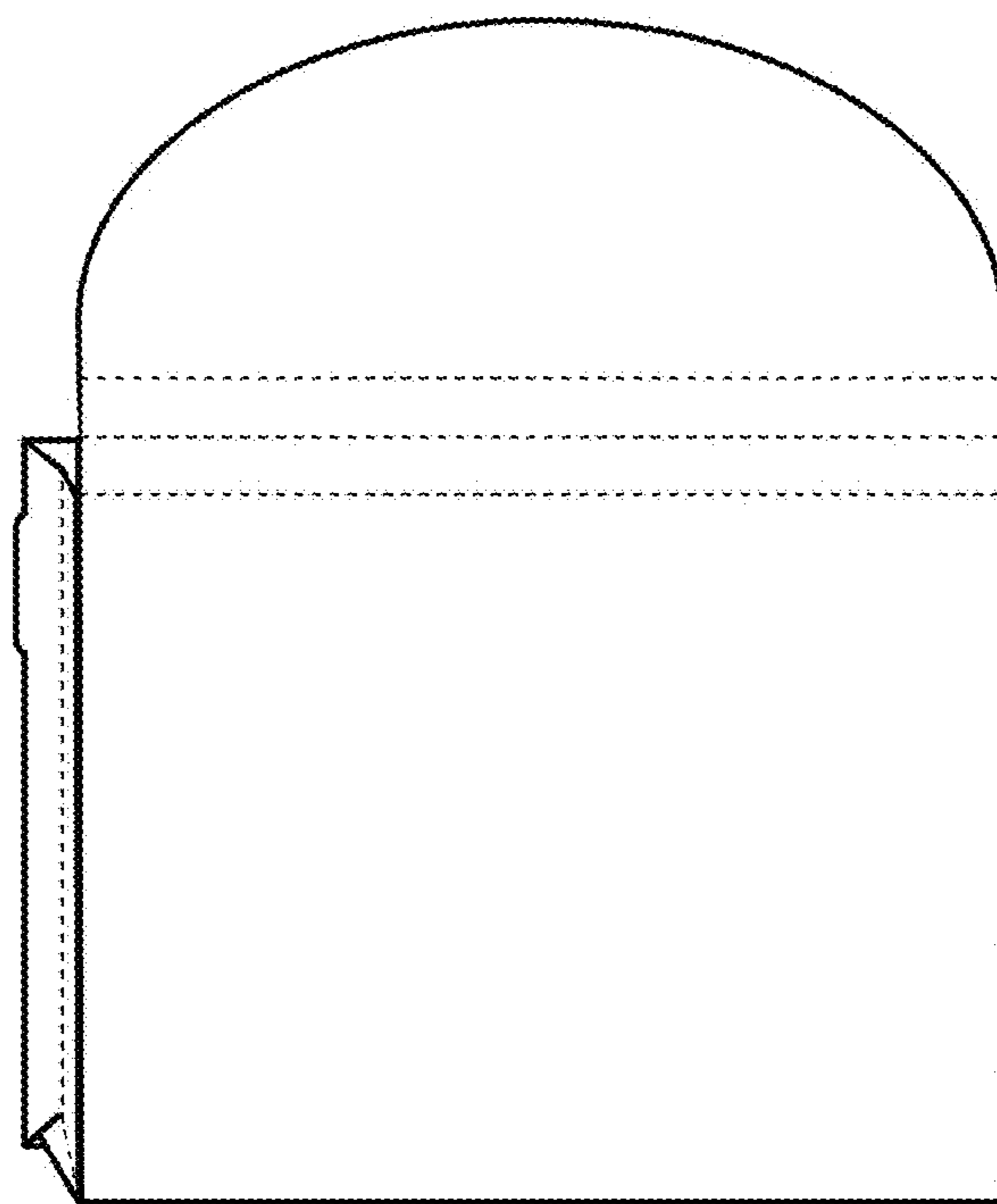
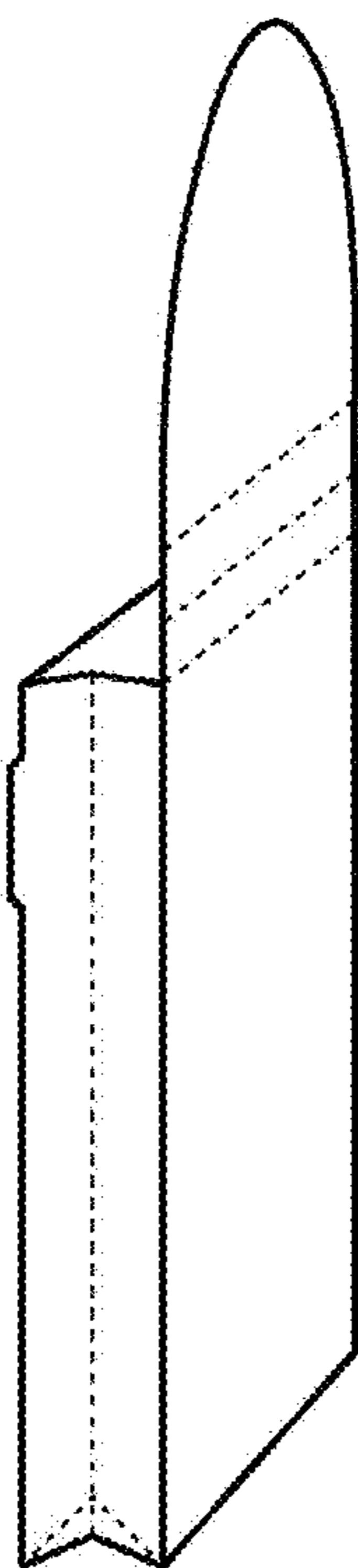


FIG 8

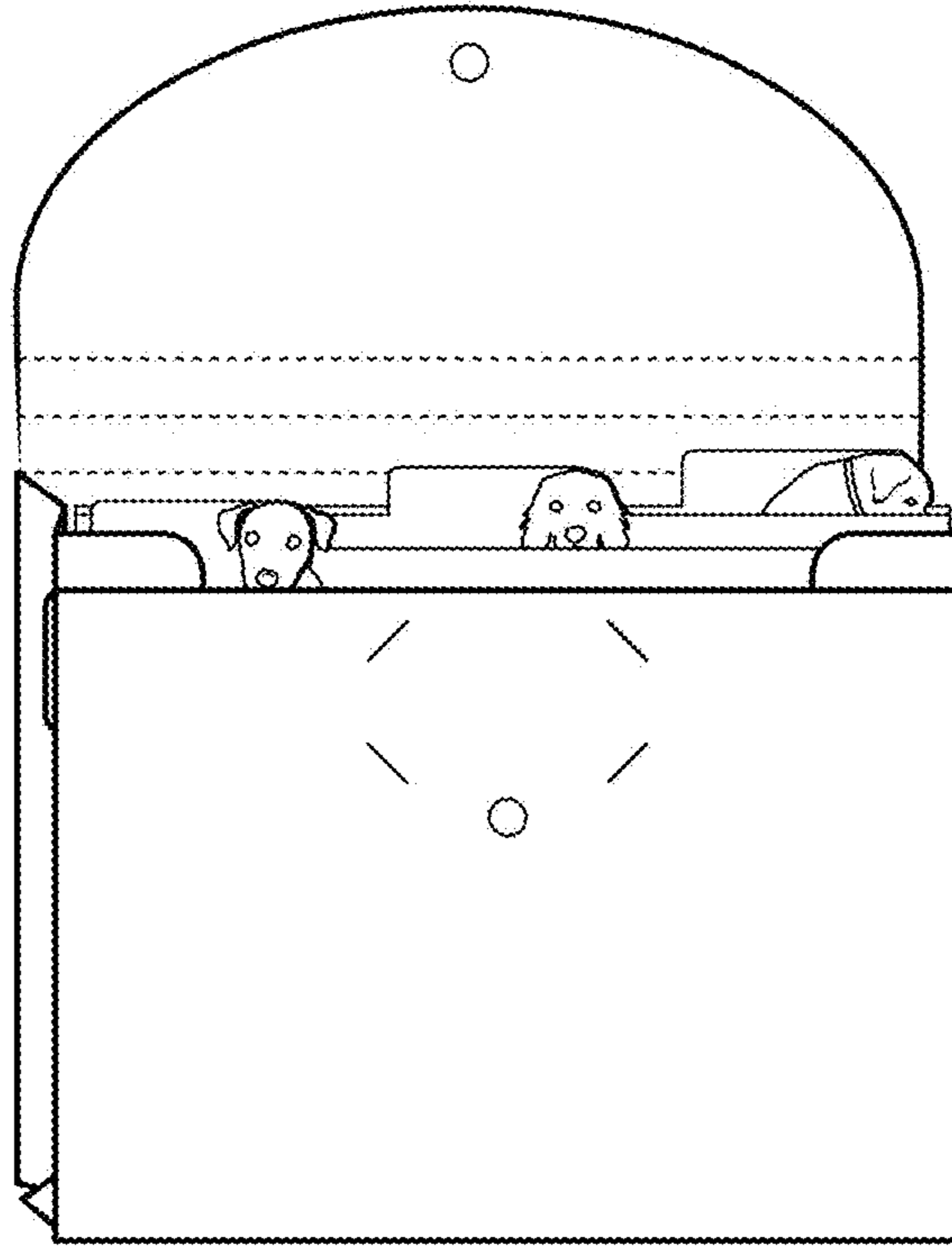


FIG 9

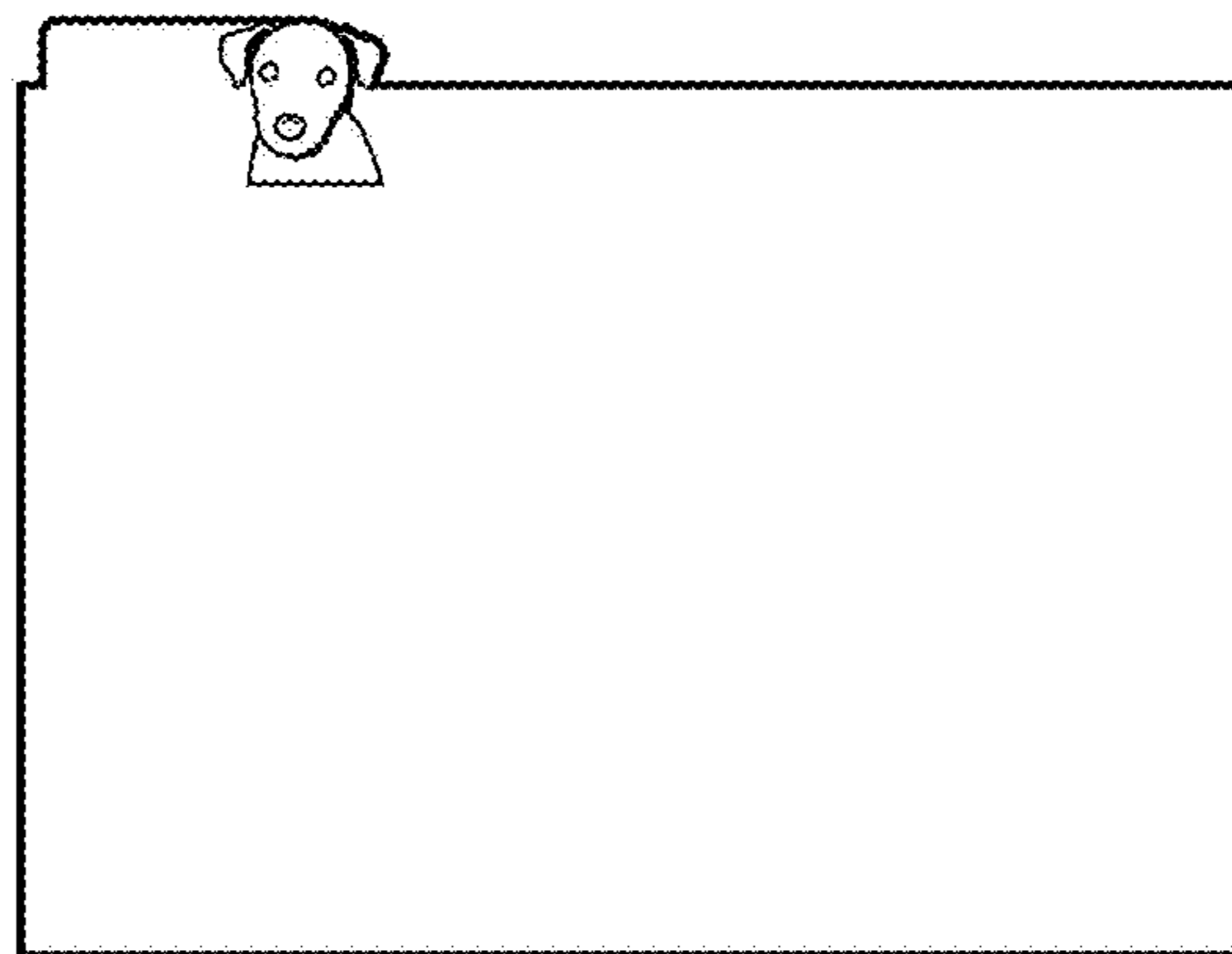


FIG 10

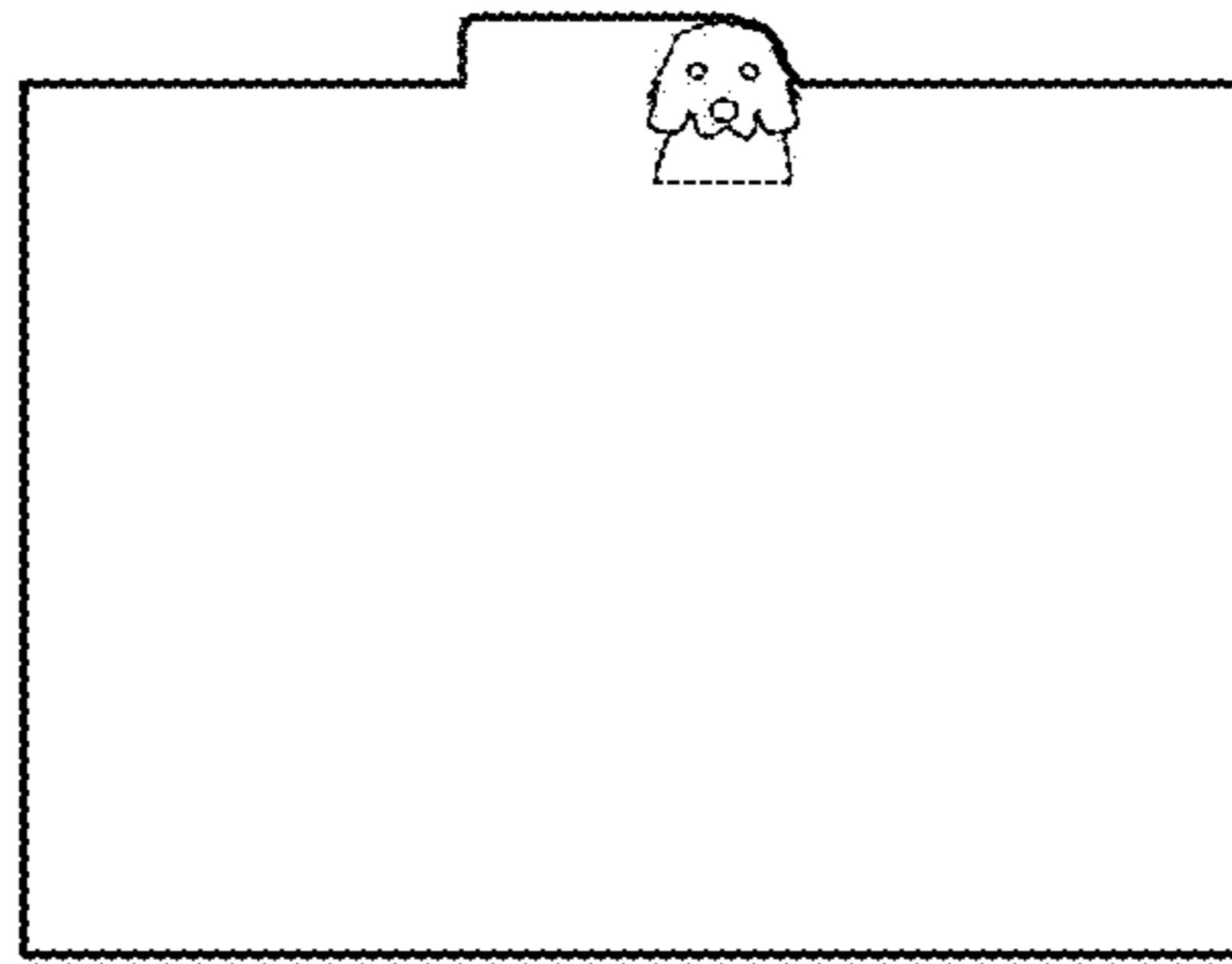


FIG 11

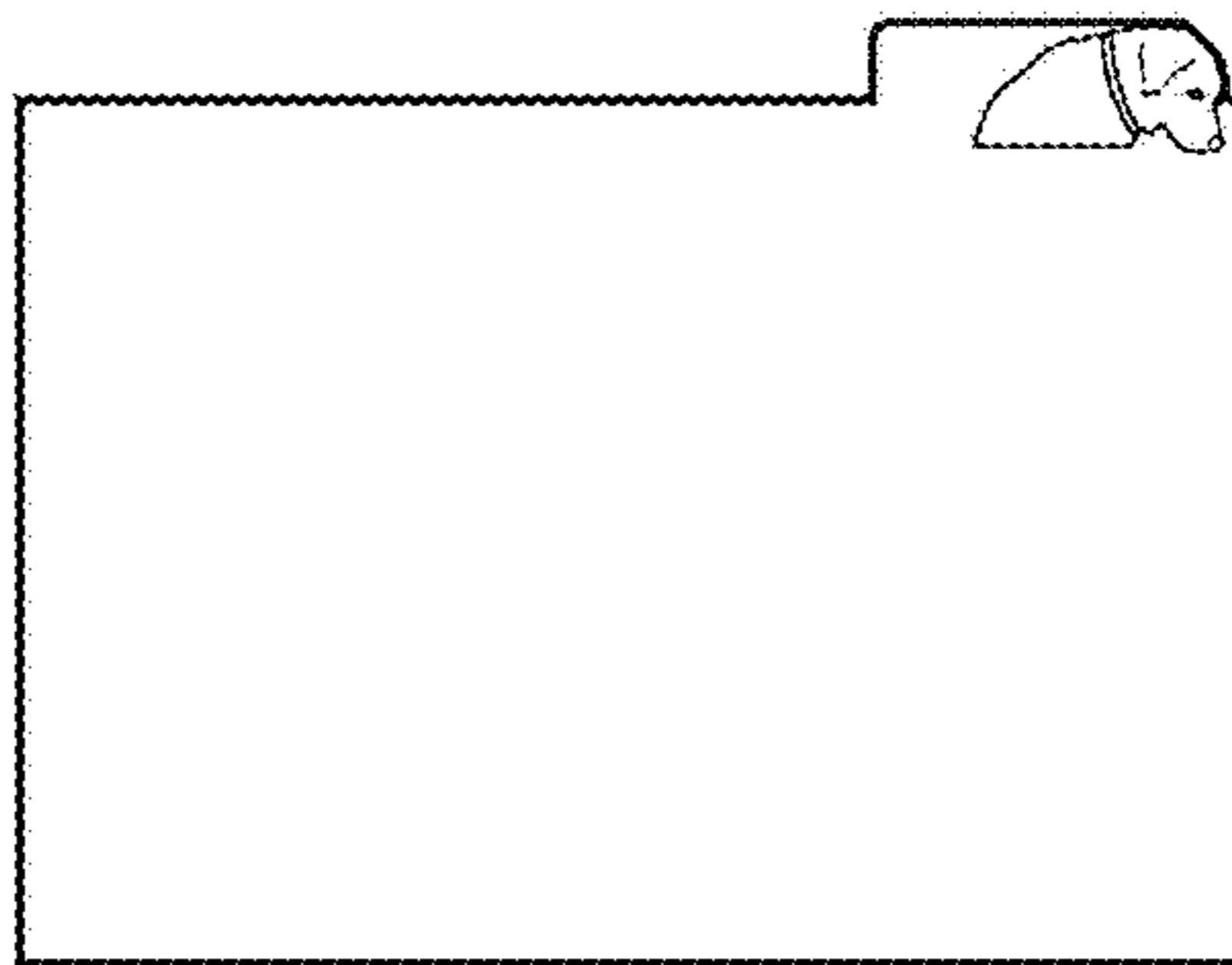


FIG 12