



US00D797845S

(12) **United States Design Patent** (10) **Patent No.:** **US D797,845 S**  
**Sheng et al.** (45) **Date of Patent:** **\*\* Sep. 19, 2017**

(54) **OFFICE MACHINE WITH SCANNER**

**DESCRIPTION**

(71) Applicant: **AVISION INC.**, Hsinchu (TW)  
(72) Inventors: **Shao-Lan Sheng**, Hsinchu (TW);  
**Chao-Yu Peng**, Hsinchu (TW)  
(73) Assignee: **Avision Inc.** (TW)  
(\*\*) Term: **15 Years**  
(21) Appl. No.: **29/555,479**  
(22) Filed: **Feb. 22, 2016**  
(51) **LOC (10) Cl.** ..... **18-02**  
(52) **U.S. Cl.**  
USPC ..... **D18/56**  
(58) **Field of Classification Search**  
USPC ..... D18/36, 38, 40, 46, 49, 53, 55, 56;  
D3/201, 203.2, 203.3, 203.6, 218;  
D9/737, 738, 742, 753, 759, 527, 528  
(Continued)

(56) **References Cited**

**U.S. PATENT DOCUMENTS**

D461,712 S \* 8/2002 Davis ..... D9/753  
D526,777 S \* 8/2006 Andre ..... D3/218  
(Continued)

**OTHER PUBLICATIONS**

“Sagean RCR-10 FM-RDS (RBDS)/AM/Aux-in Digital Tuning Atomic Clock Radio for iPod.” Review dated: Dec. 13, 2010. Amazon. [https://www.amazon.com/Sagean-RCR-10-FM-RDS-Digital-Black/dp/B003XQLUDY/ref=as\\_sl\\_pc\\_ss\\_til?tag=jblcrespe-20&linkCode=w00&linkId=4PZR5CWW2GMYHOG6&creativeASIN=B003XQLUDY&th=1.\\*](https://www.amazon.com/Sagean-RCR-10-FM-RDS-Digital-Black/dp/B003XQLUDY/ref=as_sl_pc_ss_til?tag=jblcrespe-20&linkCode=w00&linkId=4PZR5CWW2GMYHOG6&creativeASIN=B003XQLUDY&th=1.*)  
(Continued)

*Primary Examiner* — Manpreet Matharu  
*Assistant Examiner* — Suzanne Tisdell

(57) **CLAIM**

The ornamental design for “office machine with scanner,” as shown and described.

FIG. 1 is a first perspective view of an office machine with scanner in a first embodiment;  
FIG. 2 is an enlarged, fragmentary view of FIG. 1;  
FIG. 3 is a second perspective view of an office machine with scanner in a first embodiment;  
FIG. 4 is a third perspective view of an office machine with scanner in a first embodiment;  
FIG. 5 is a fourth perspective view of an office machine with scanner in a first embodiment;  
FIG. 6 is an enlarged, fragmentary view of FIG. 5;  
FIG. 7 is a front view thereof in a first embodiment;  
FIG. 8 is an enlarged, fragmentary view of FIG. 7;  
FIG. 9 is a rear view thereof in a first embodiment;  
FIG. 10 is an enlarged, fragmentary view of FIG. 9;  
FIG. 11 is a left side view thereof in a first embodiment;  
FIG. 12 is a right side view thereof in a first embodiment;  
FIG. 13 is an enlarged, fragmentary view of FIG. 12;  
FIG. 14 is a top view thereof in a first embodiment;  
FIG. 15 is a bottom view thereof in a first embodiment;  
FIG. 16 is a first perspective view of an office machine with scanner in a second embodiment;  
FIG. 17 is an enlarged, fragmentary view of FIG. 16;  
FIG. 18 is a second perspective view of an office machine with scanner in a second embodiment;  
FIG. 19 is a third perspective view of an office machine with scanner in a second embodiment;  
FIG. 20 is a fourth perspective view of an office machine with scanner in a second embodiment;  
FIG. 21 is an enlarged, fragmentary view of FIG. 20;  
FIG. 22 is a front view thereof in a second embodiment;  
FIG. 23 is an enlarged, fragmentary view of FIG. 22;  
FIG. 24 is a rear view thereof in a second embodiment;  
FIG. 25 is an enlarged, fragmentary view of FIG. 24;  
FIG. 26 is a left side view thereof in a second embodiment;  
FIG. 27 is a right side view thereof in a second embodiment;  
FIG. 28 is an enlarged, fragmentary view of FIG. 27;  
FIG. 29 is a top view thereof in a second embodiment;  
FIG. 30 is a bottom view thereof in a second embodiment;  
FIG. 31 is a first perspective view of an office machine with scanner in a third embodiment;  
FIG. 32 is an enlarged, fragmentary view of FIG. 31;

(Continued)

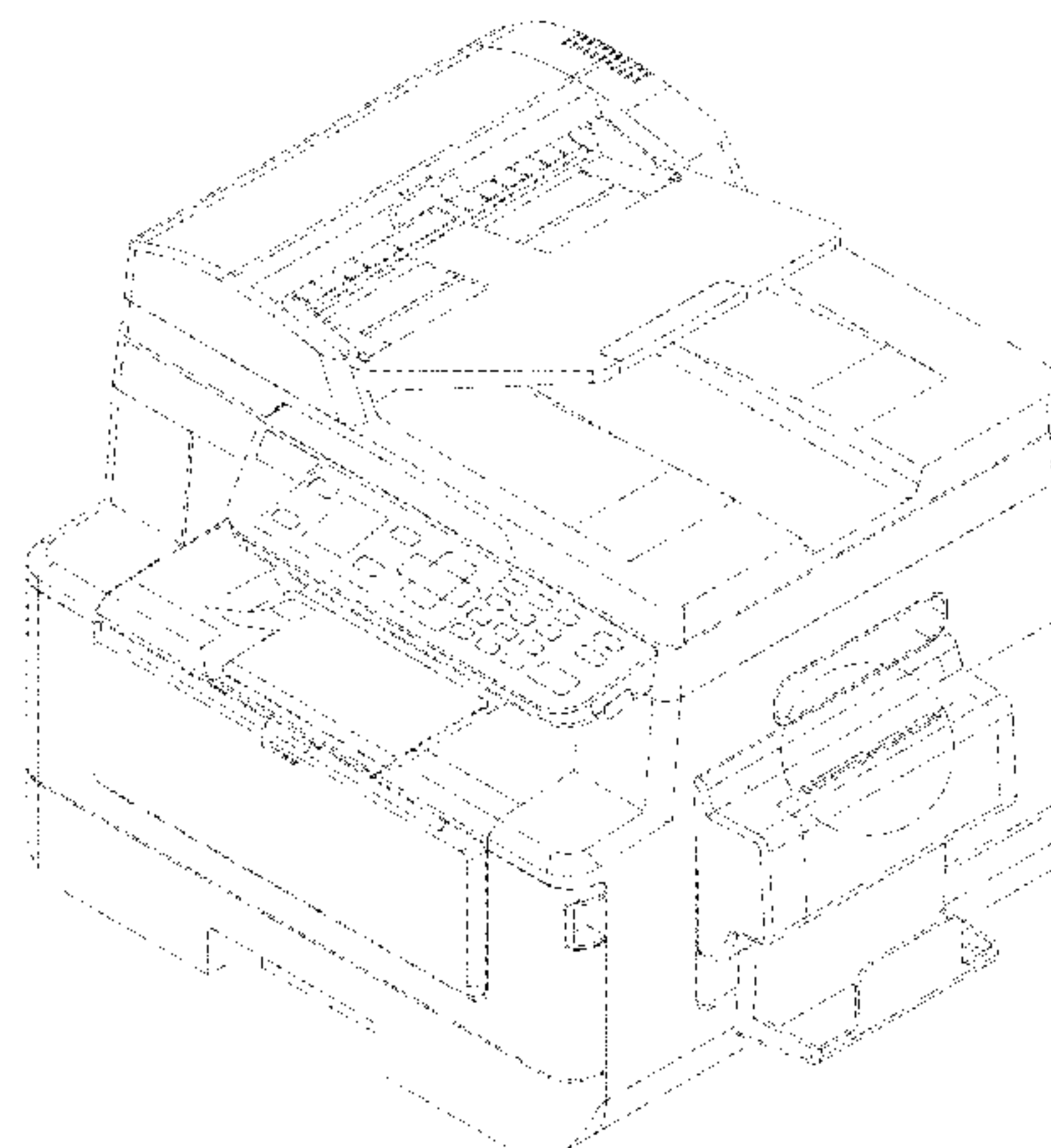


FIG. 33 is a second perspective view of an office machine with scanner in a third embodiment;  
 FIG. 34 is a third perspective view of an office machine with scanner in a third embodiment;  
 FIG. 35 is a fourth perspective view of an office machine with scanner in a third embodiment;  
 FIG. 36 is an enlarged, fragmentary view of FIG. 35;  
 FIG. 37 is a front view thereof in a third embodiment;  
 FIG. 38 is an enlarged, fragmentary view of FIG. 37;  
 FIG. 39 is a rear view thereof in a third embodiment;  
 FIG. 40 is an enlarged, fragmentary view of FIG. 39;  
 FIG. 41 is a left side view thereof in a third embodiment;  
 FIG. 42 is a right side view thereof in a third embodiment;  
 FIG. 43 is an enlarged, fragmentary view of FIG. 42;  
 FIG. 44 is a top view thereof in a third embodiment; and,  
 FIG. 45 is a bottom view thereof in a third embodiment.  
 The dashed lines in the figures depict portions of the office machine with scanner that form no part of the claimed design.

**1 Claim, 45 Drawing Sheets**

(58) **Field of Classification Search**

CPC .... B41J 15/044; B41J 2/1752; B41J 2/17553;  
 B41J 23/00

See application file for complete search history.

(56)

**References Cited**

U.S. PATENT DOCUMENTS

D551,856	S	*	10/2007	Ko	.....	D3/201
D584,944	S	*	1/2009	Kirk	.....	D9/416
D596,495	S	*	7/2009	Dodd	.....	D9/415
D597,089	S	*	7/2009	Khan	.....	D14/250
D609,462	S	*	2/2010	Bullen	.....	D3/218
D655,081	S	*	3/2012	Maravilla	.....	D3/218
D681,937	S	*	5/2013	Peterson	.....	D3/203.6
D682,831	S	*	5/2013	Kimura	.....	D14/386
D741,594	S	*	10/2015	Morgan	.....	D3/218

OTHER PUBLICATIONS

Nyrius Songo Link Wireless Bluetooth Music Receiver 30-pin Apple Speaker Dock Adapter for Audio Streaming iPod, iPhone, iPad, Samsung, Android, HTC, Blackberry, Smartphones, Tablets, Laptops (BR30). Image available on Wayback Machine before Apr. 4, 2014. Shoptronics. <http://www.shoptronics.com/nyrius-br30-bluetooth-30-pin-adapter.html>.\*

\* cited by examiner

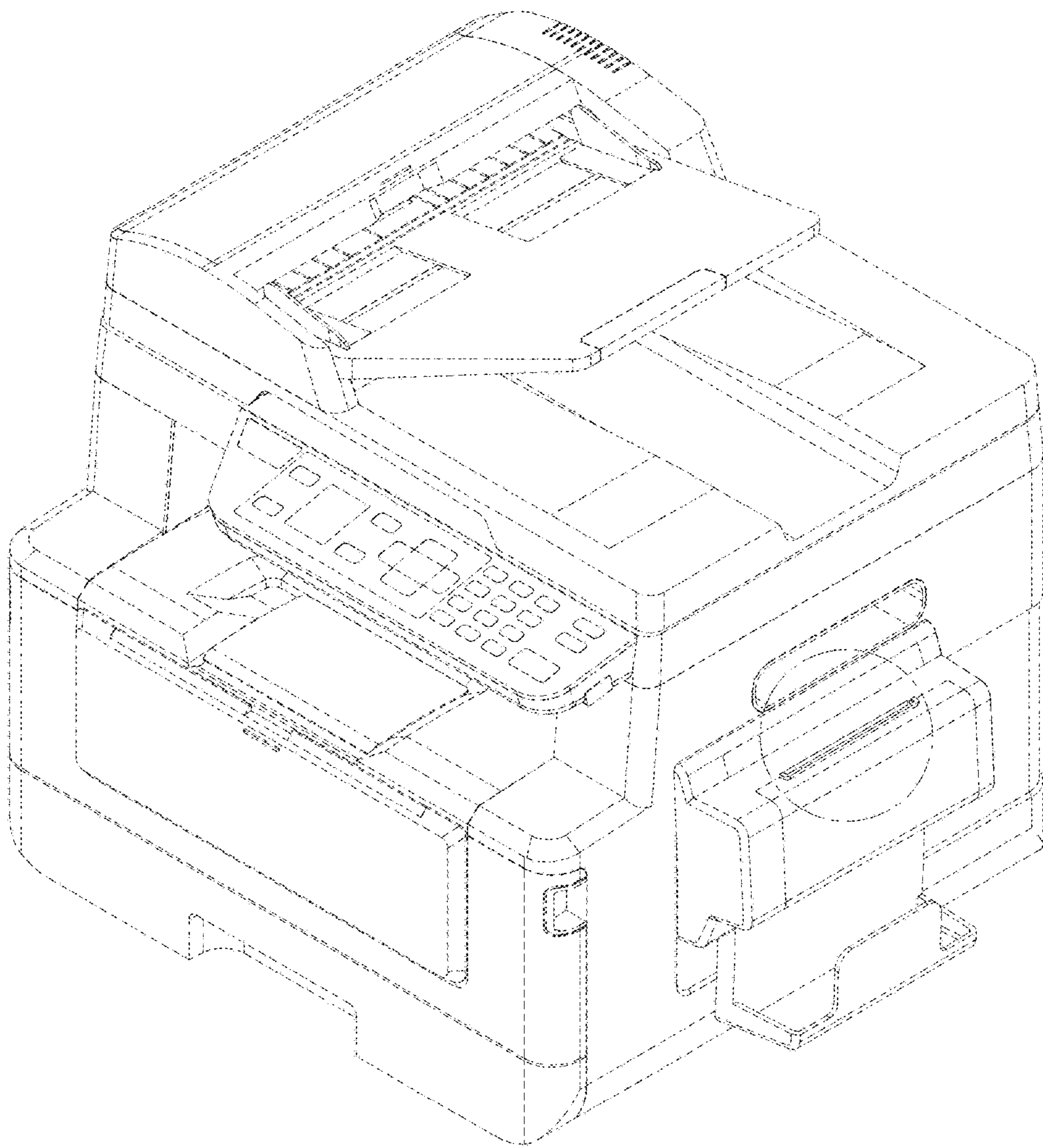


FIG. 1



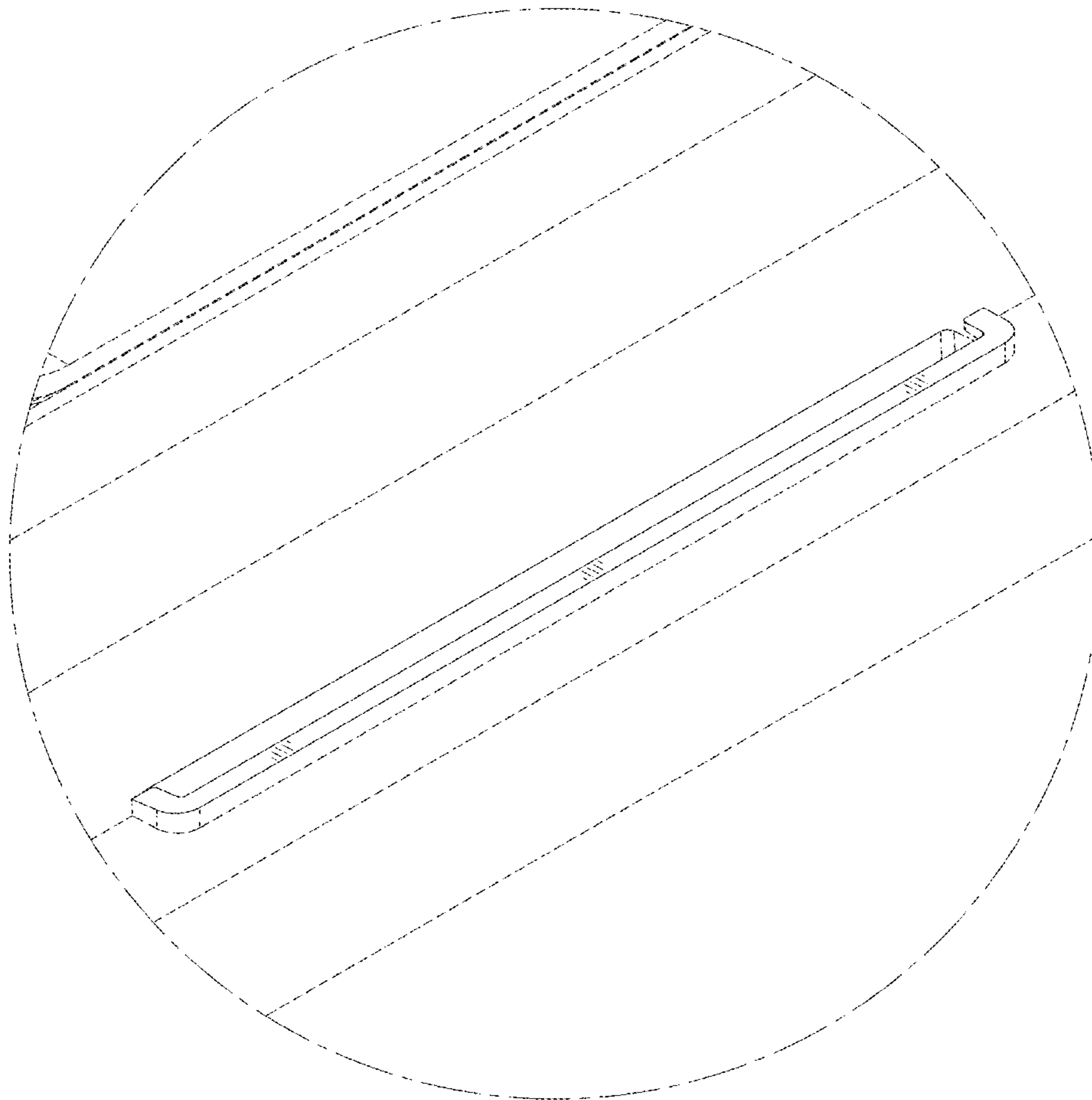


FIG. 2

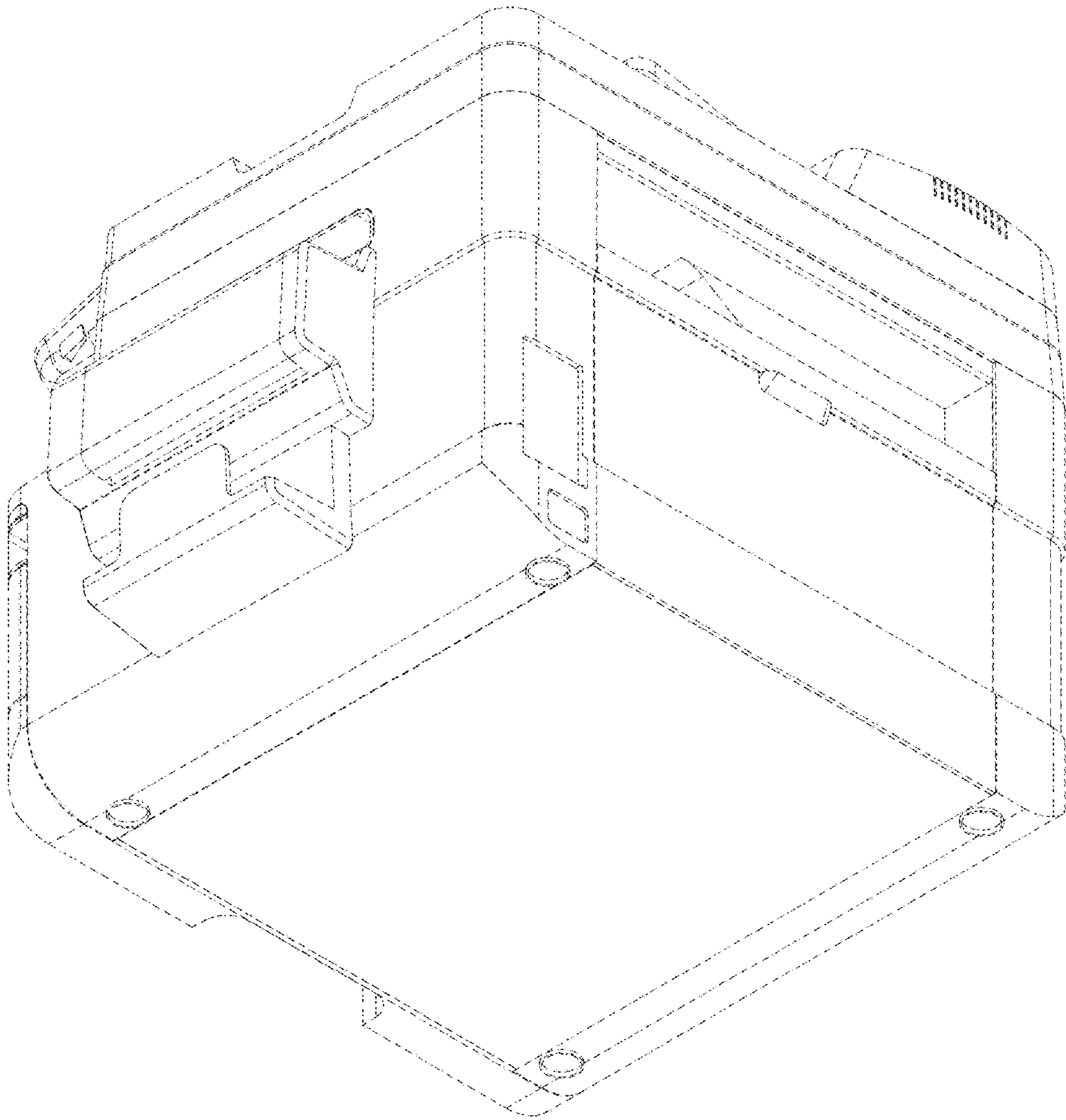


FIG. 3

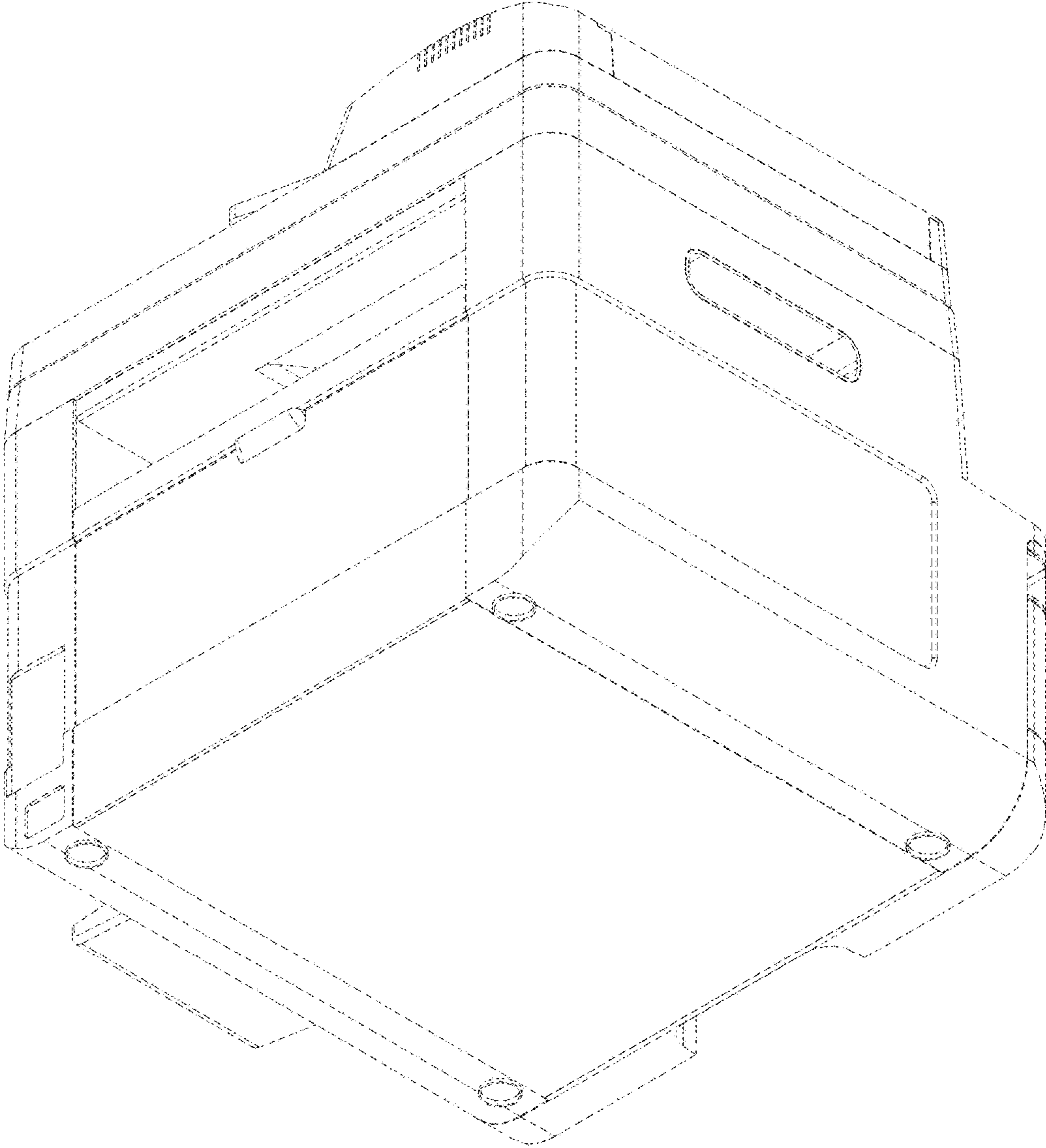


FIG. 4

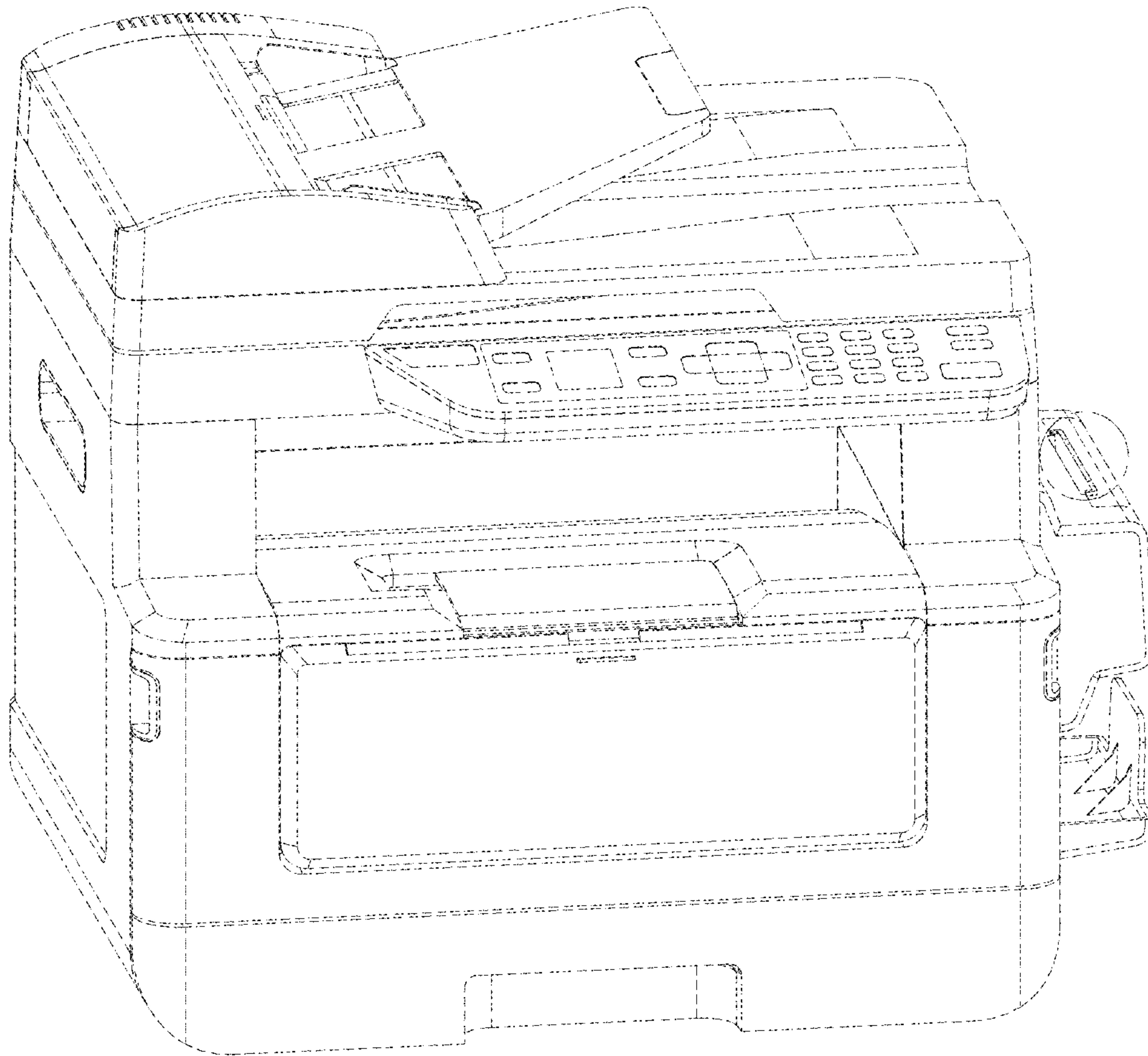


FIG. 5

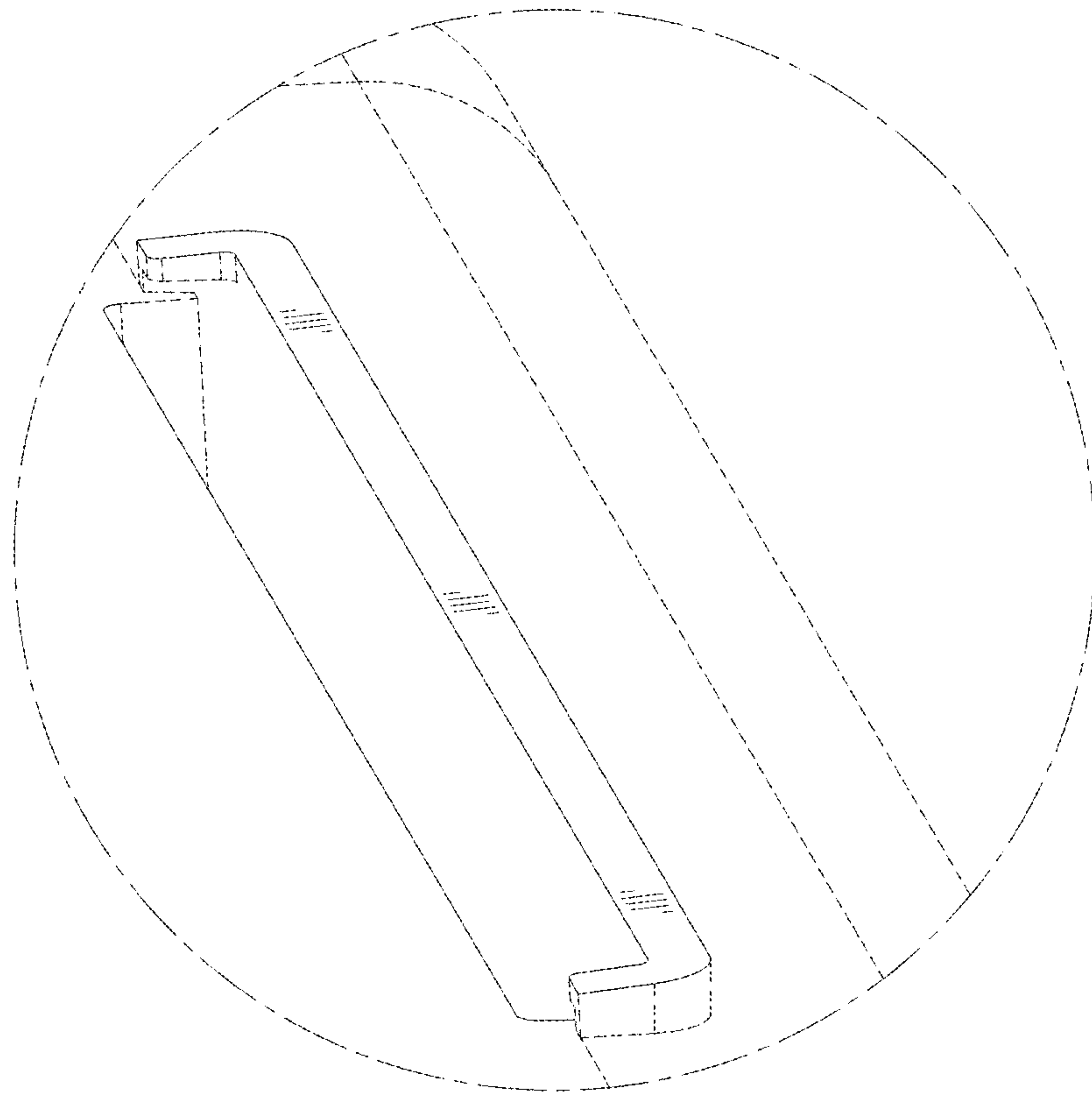


FIG. 6



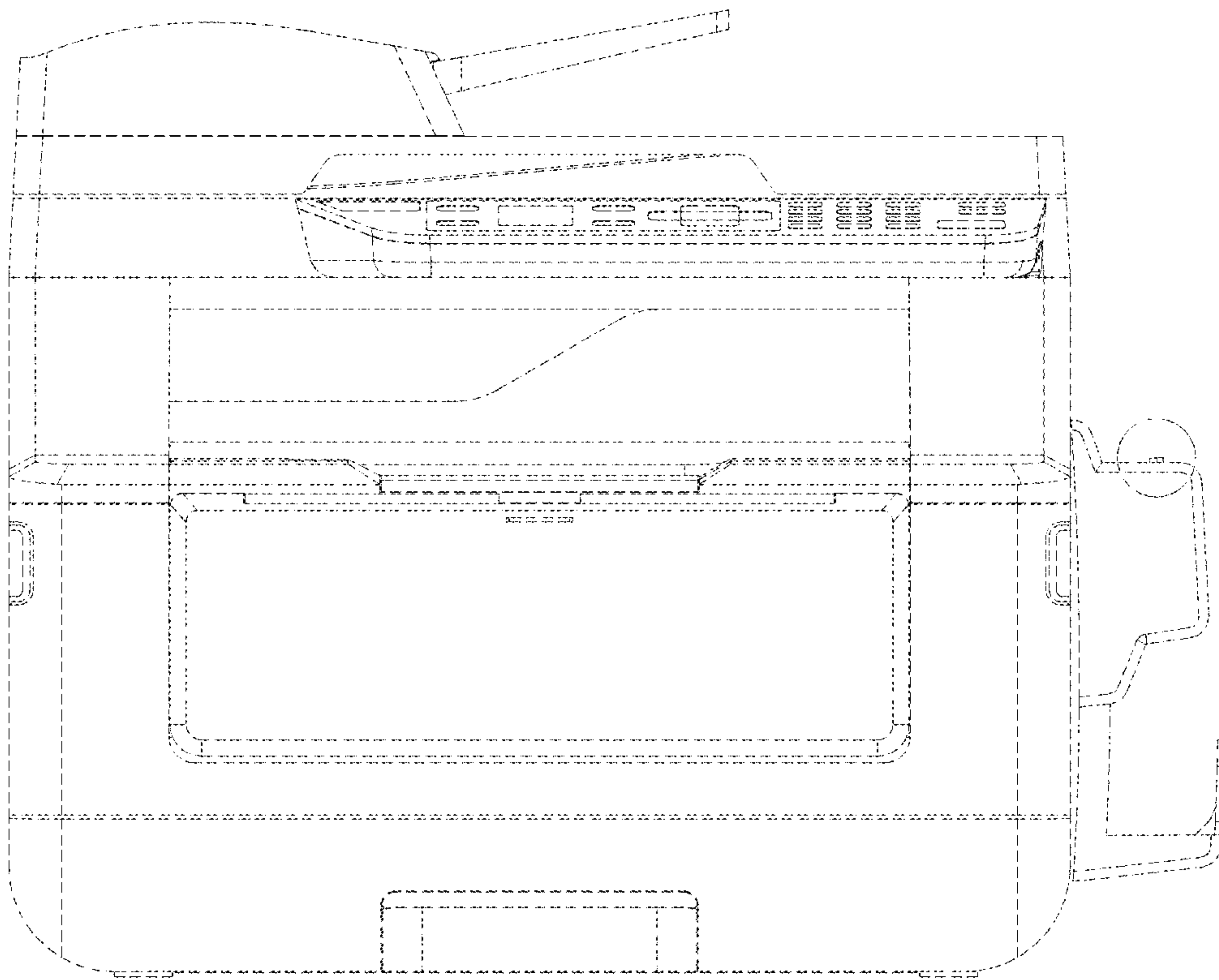


FIG. 7

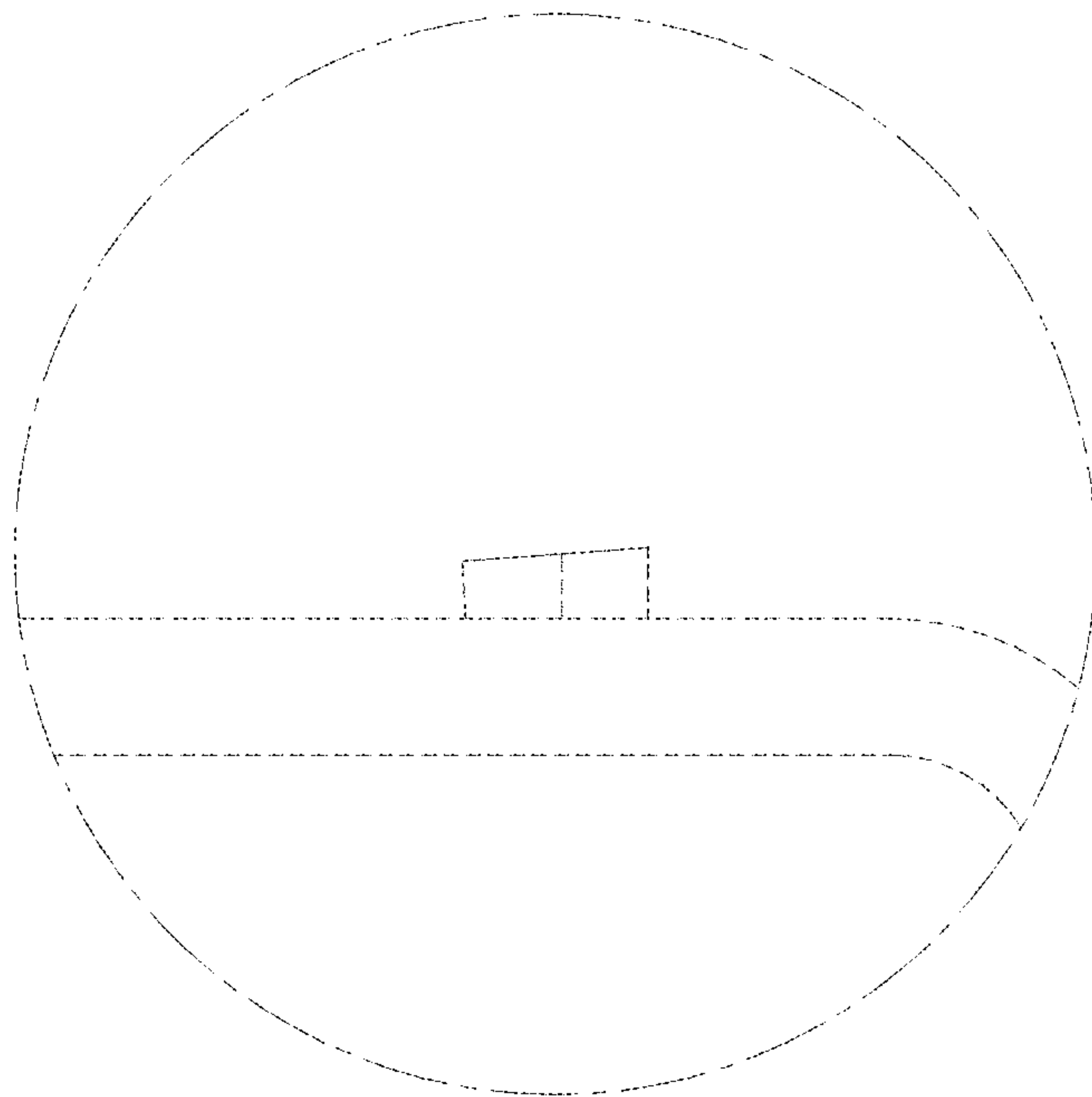


FIG. 8

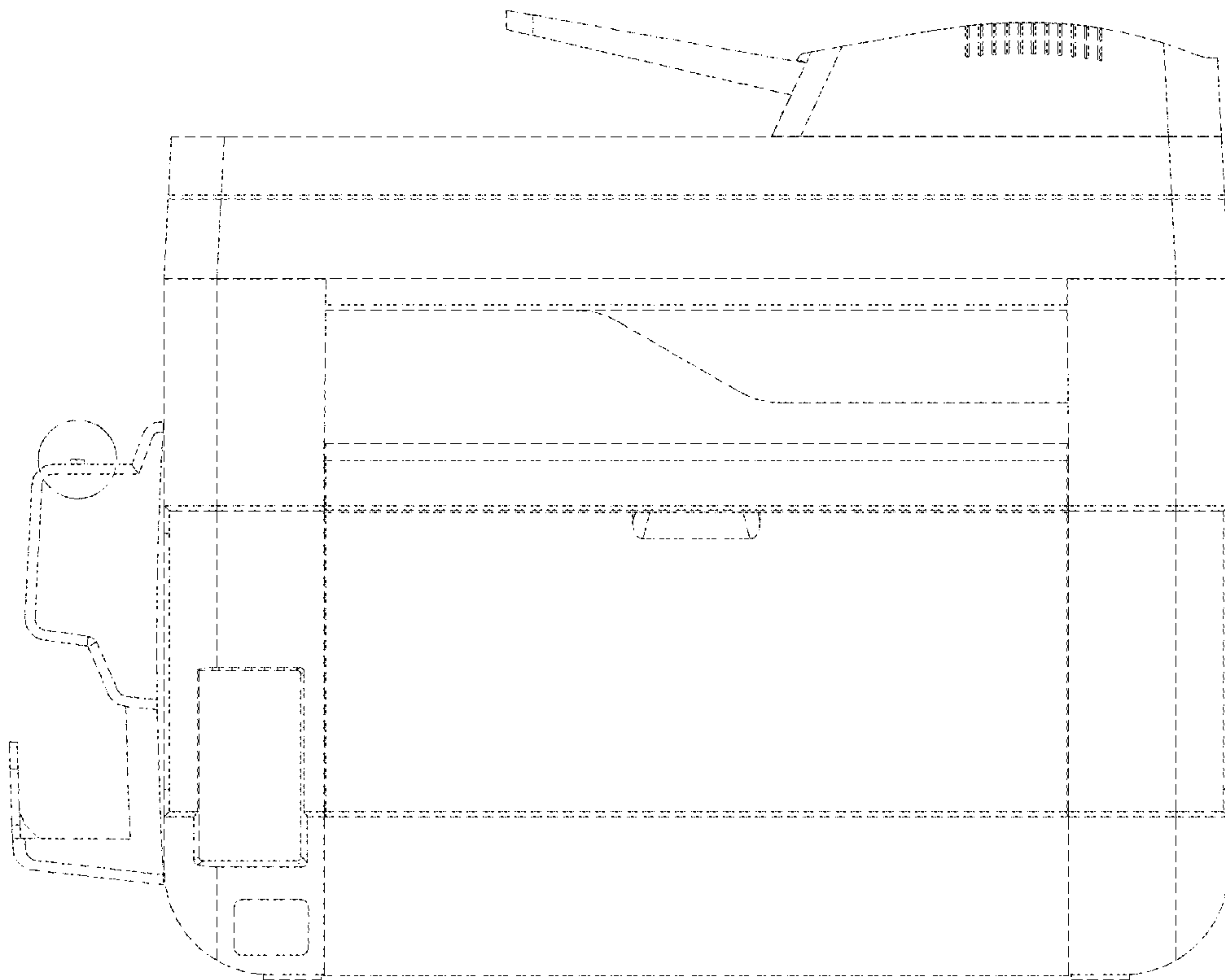


FIG. 9

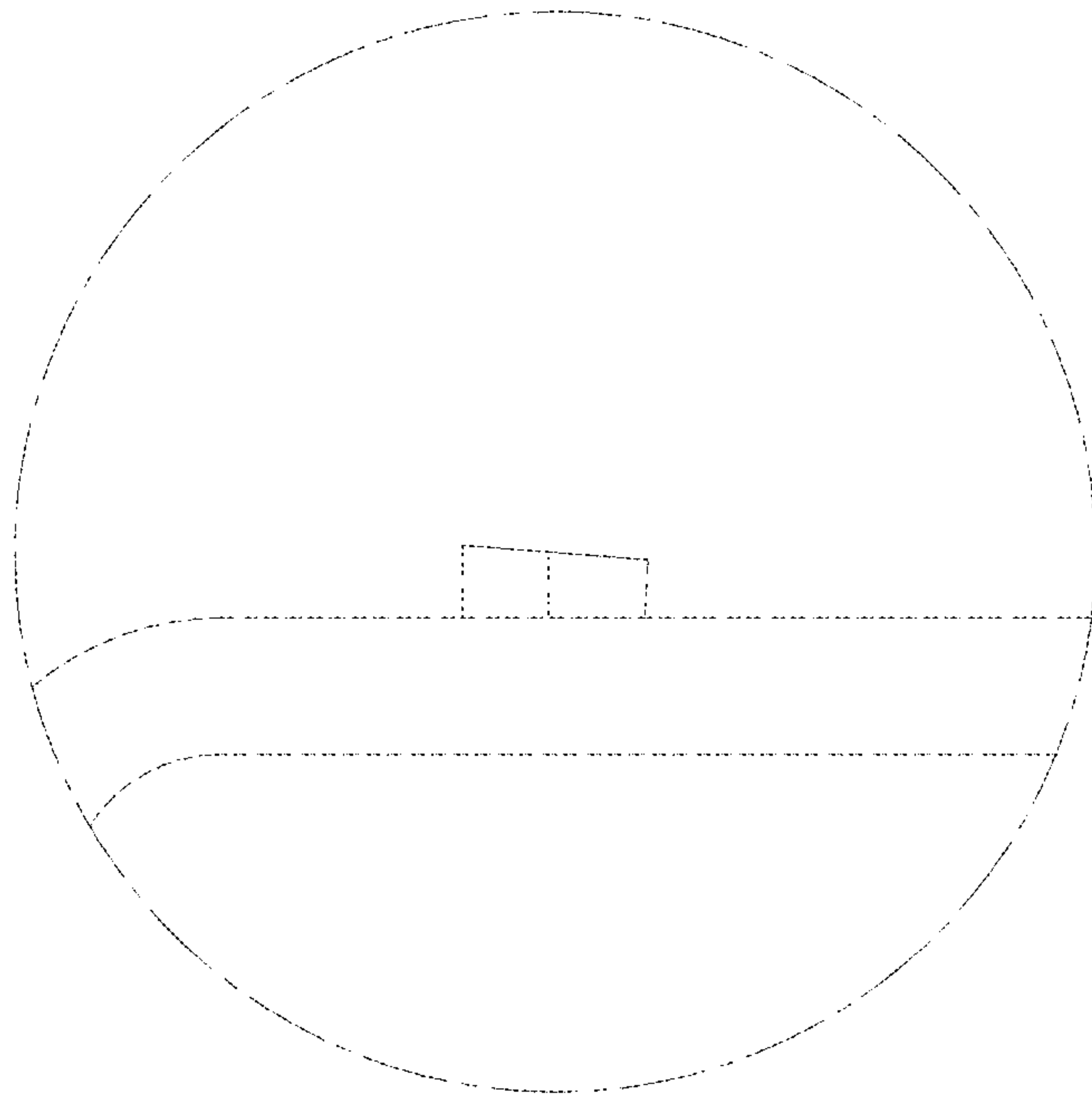


FIG. 10



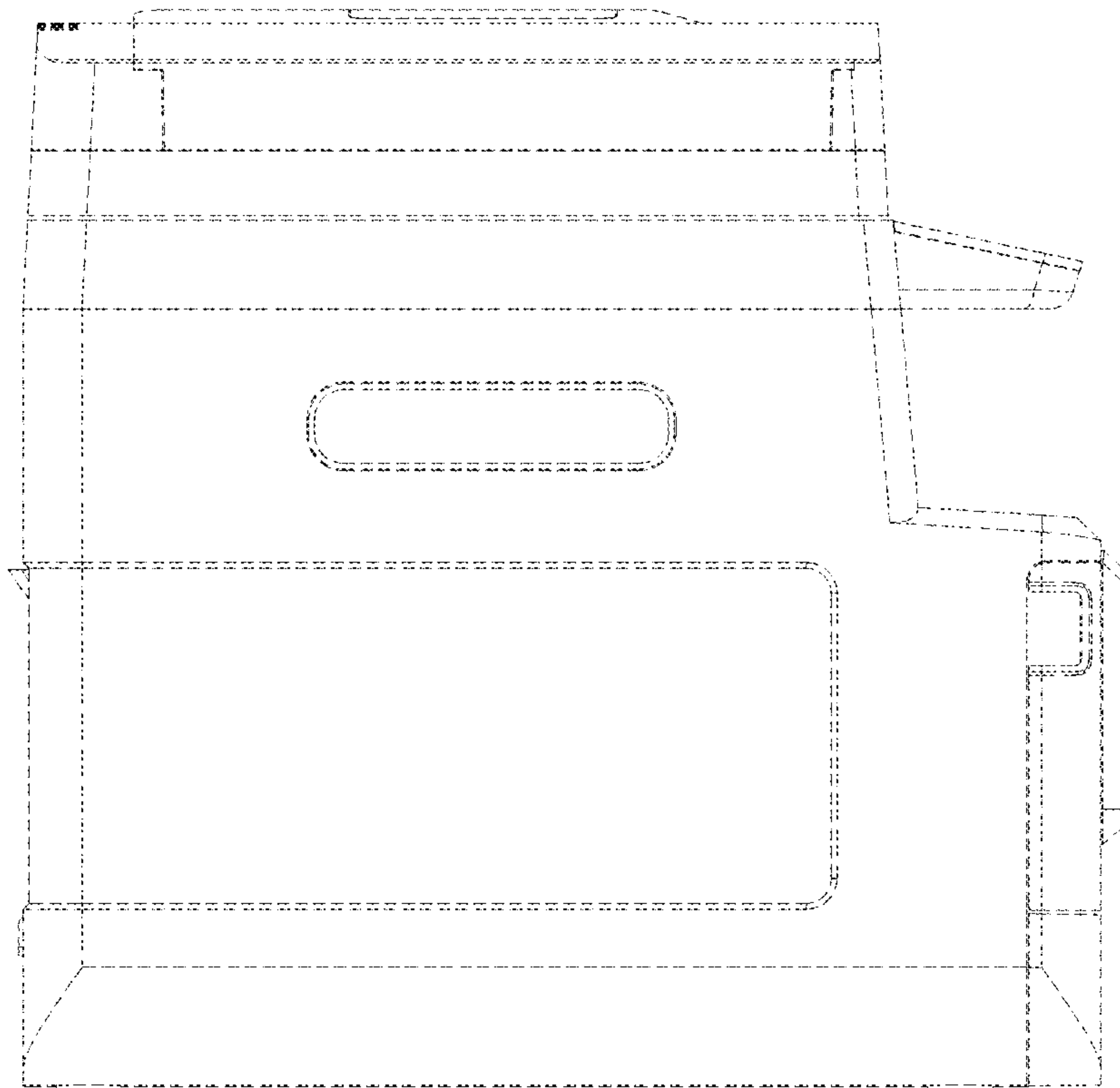


FIG. 11

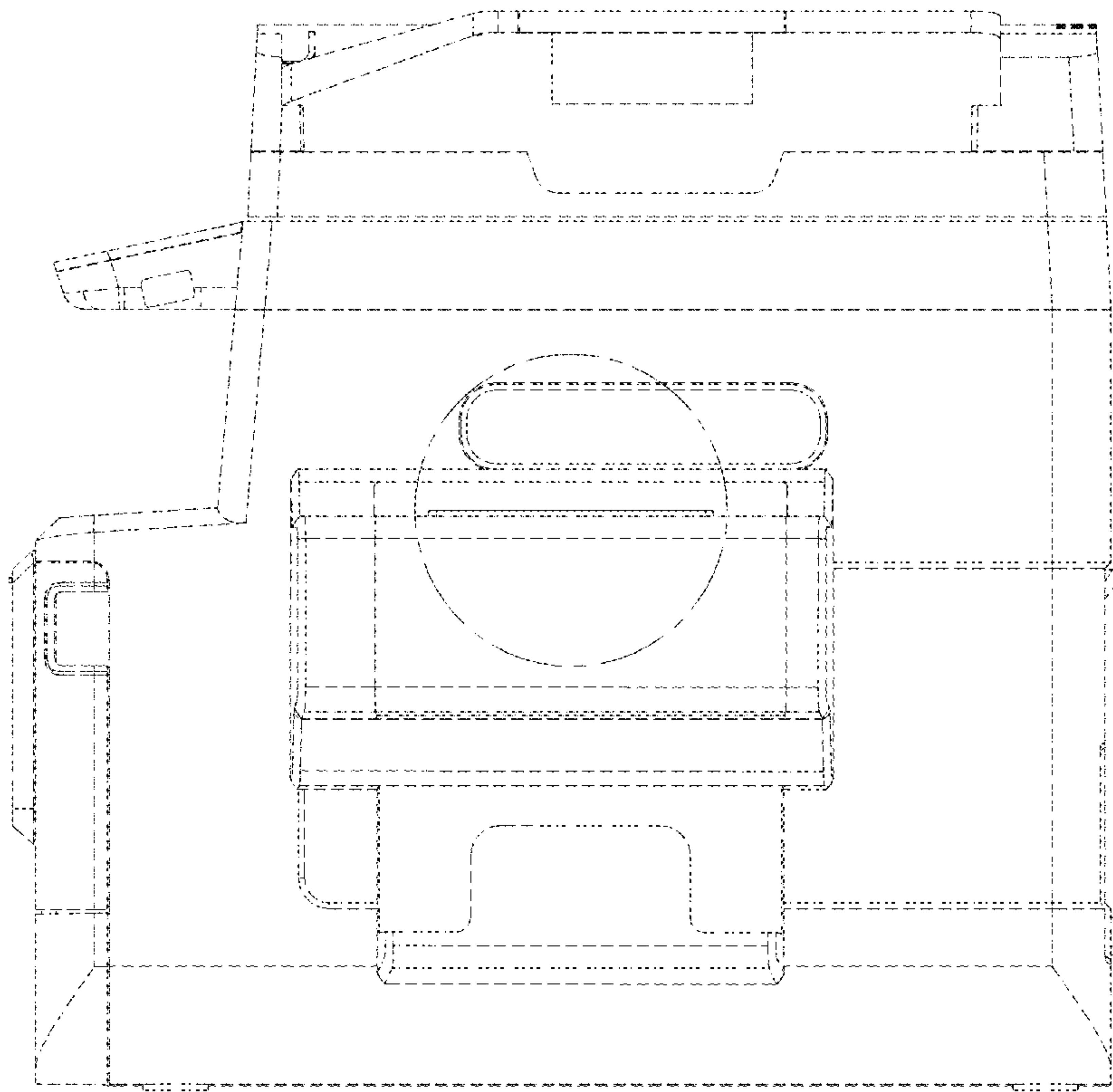


FIG. 12

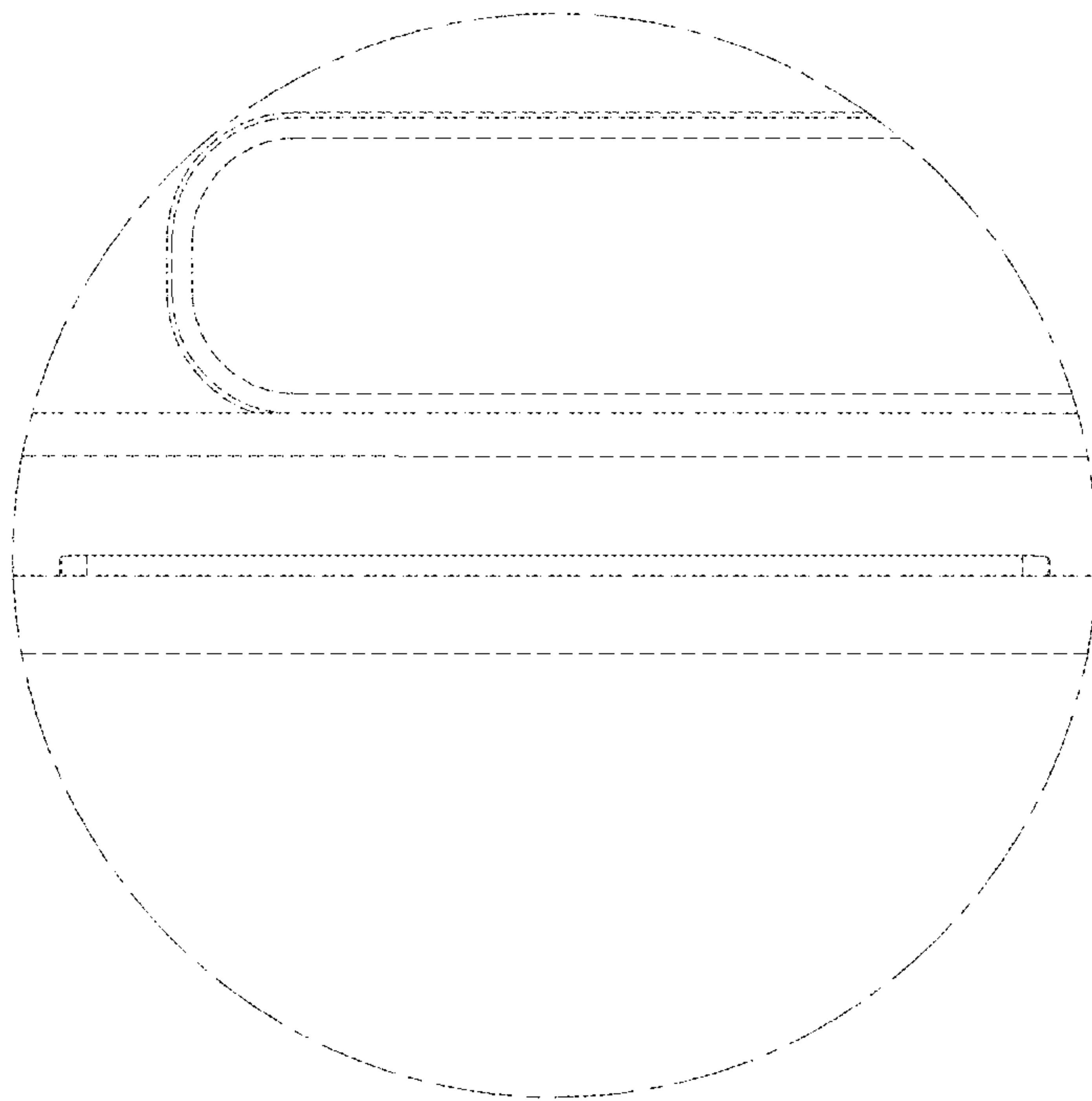


FIG. 13

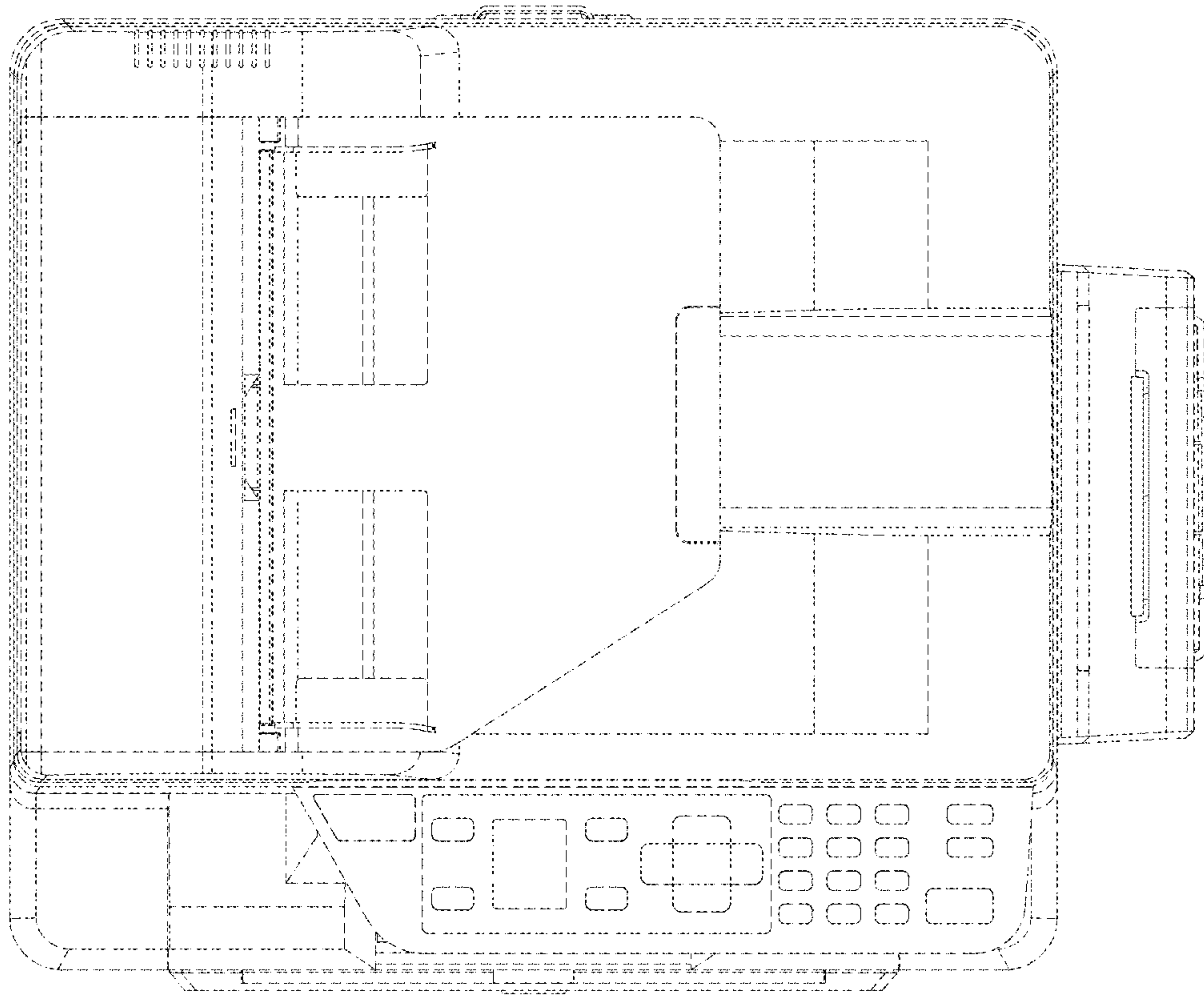


FIG. 14



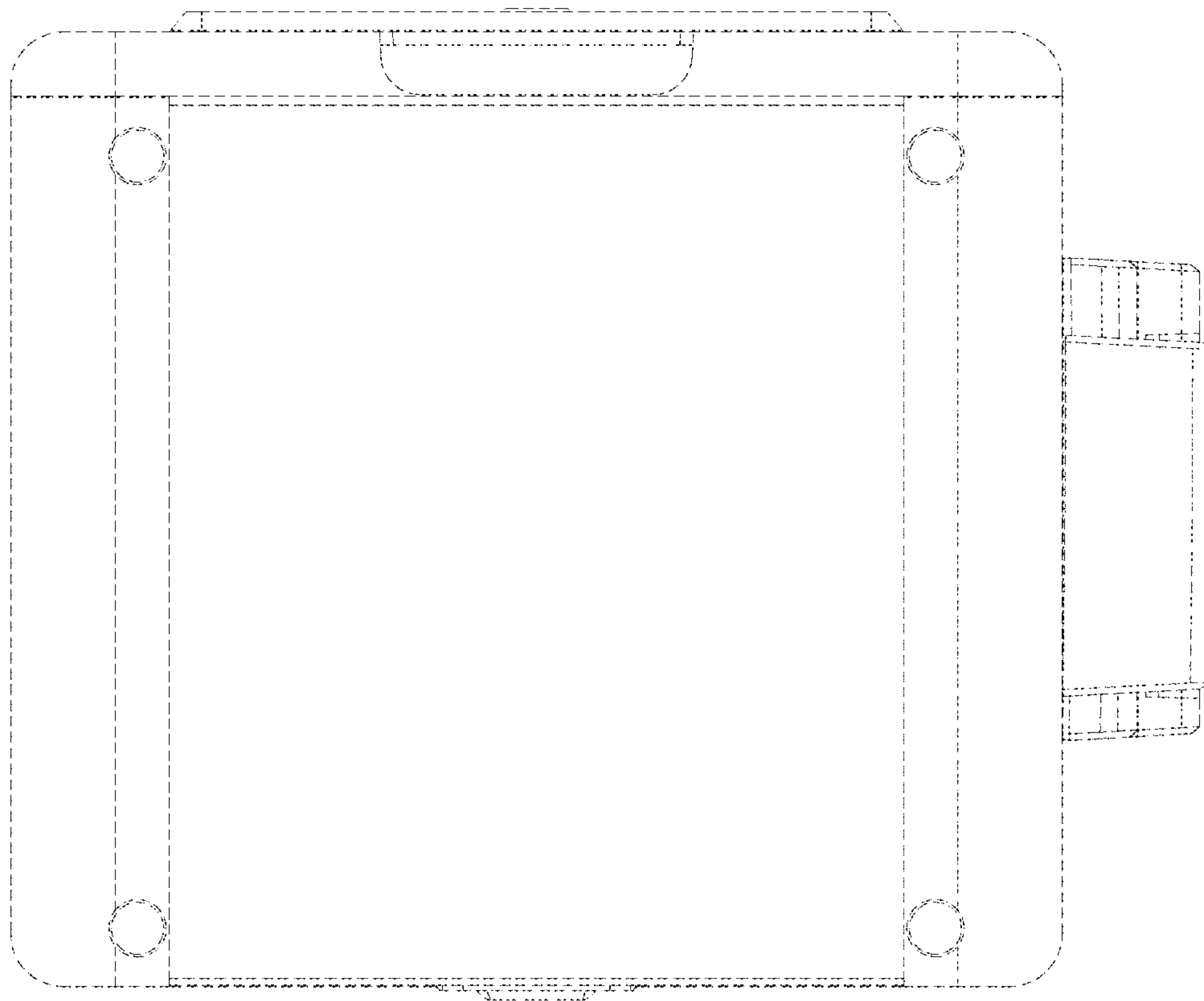


FIG. 15

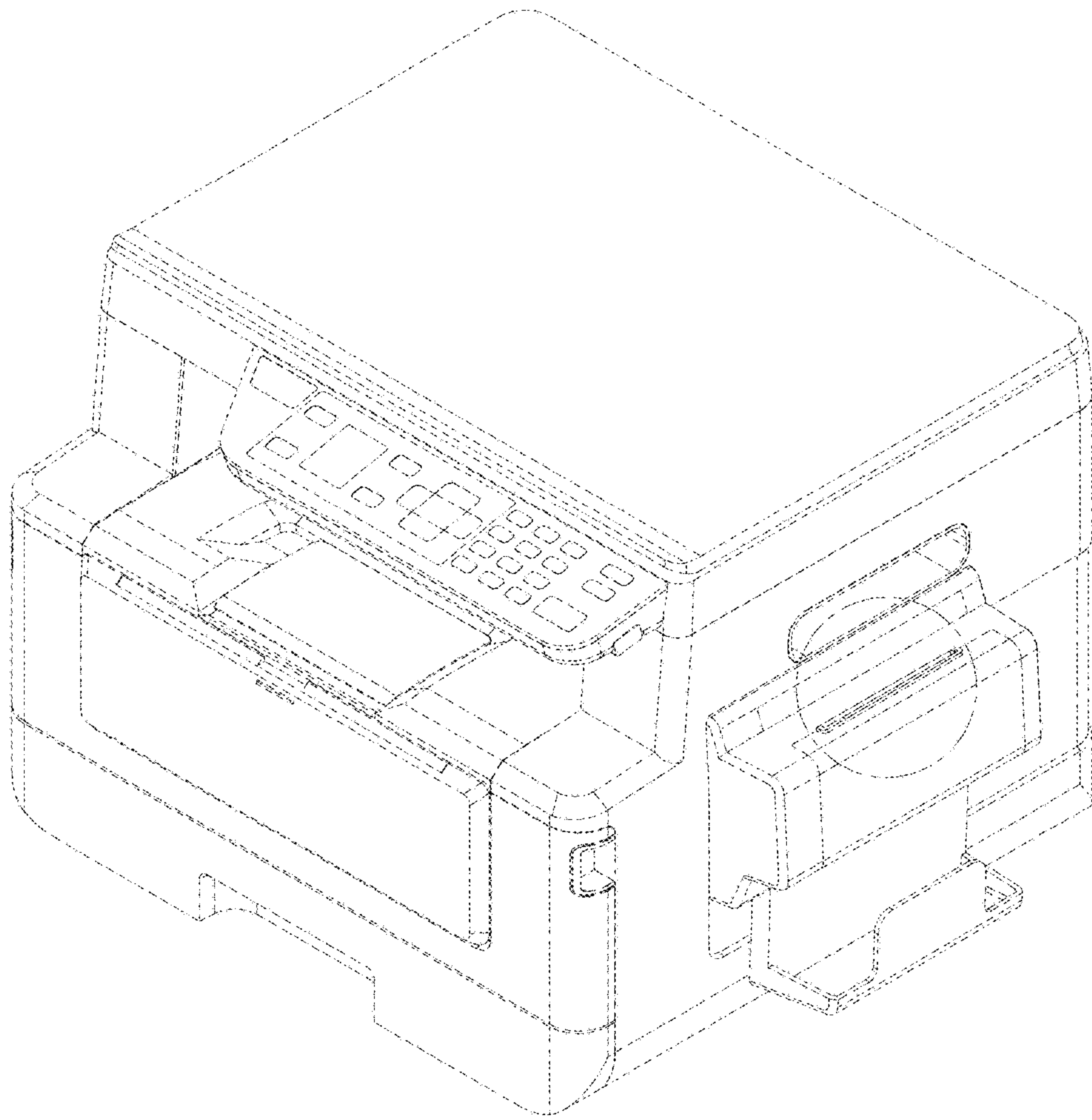


FIG. 16

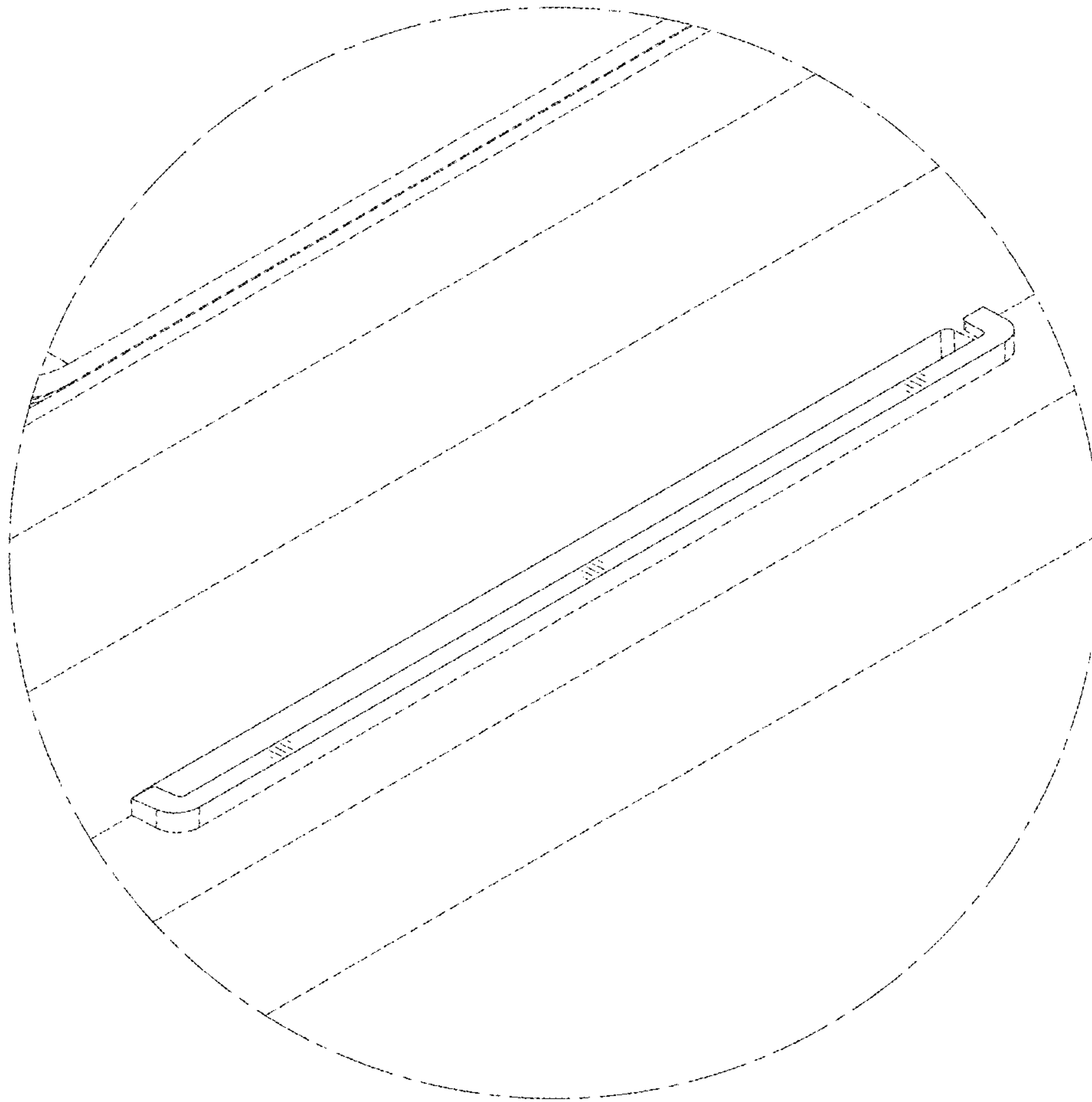


FIG. 17

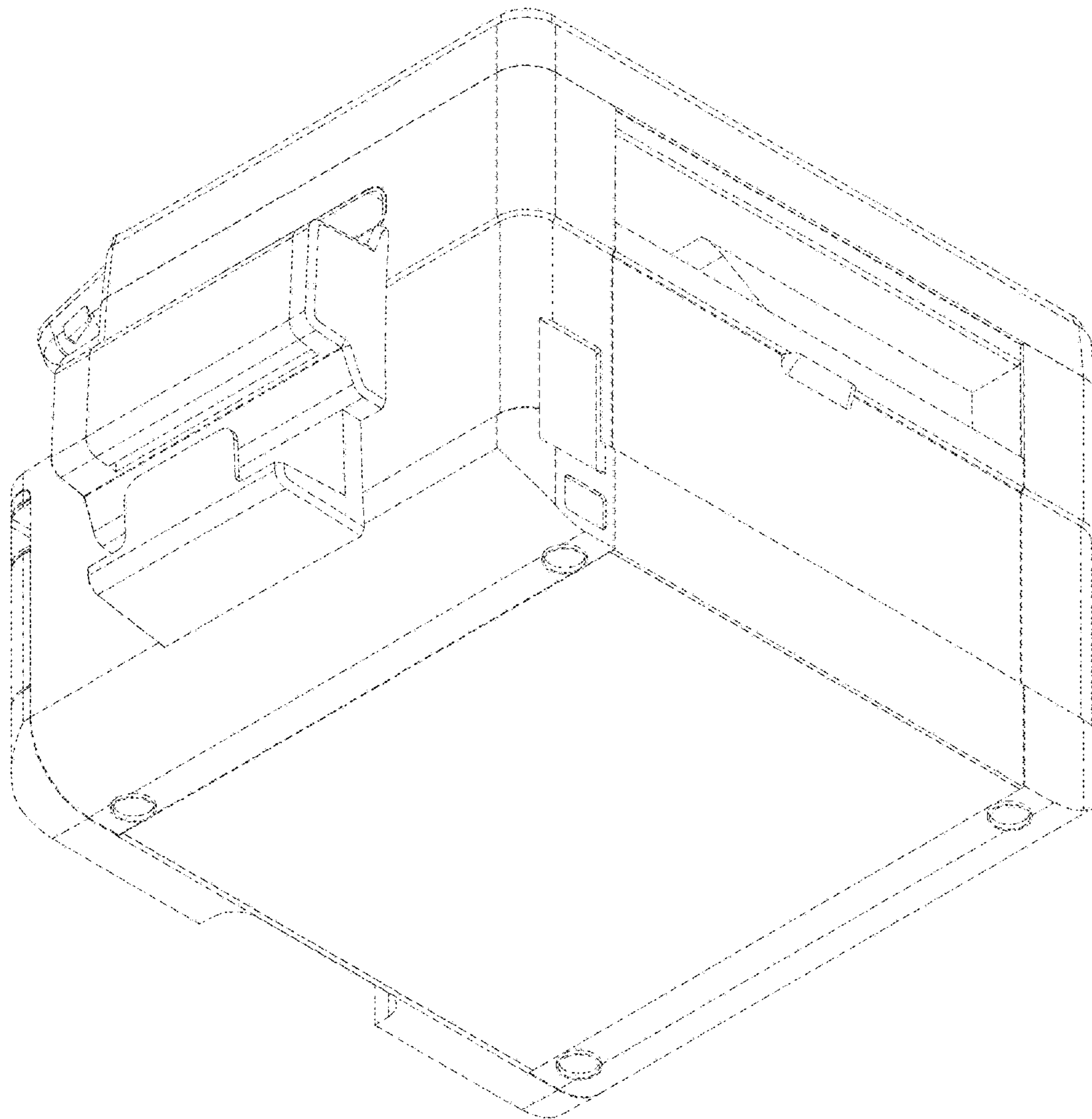


FIG. 18



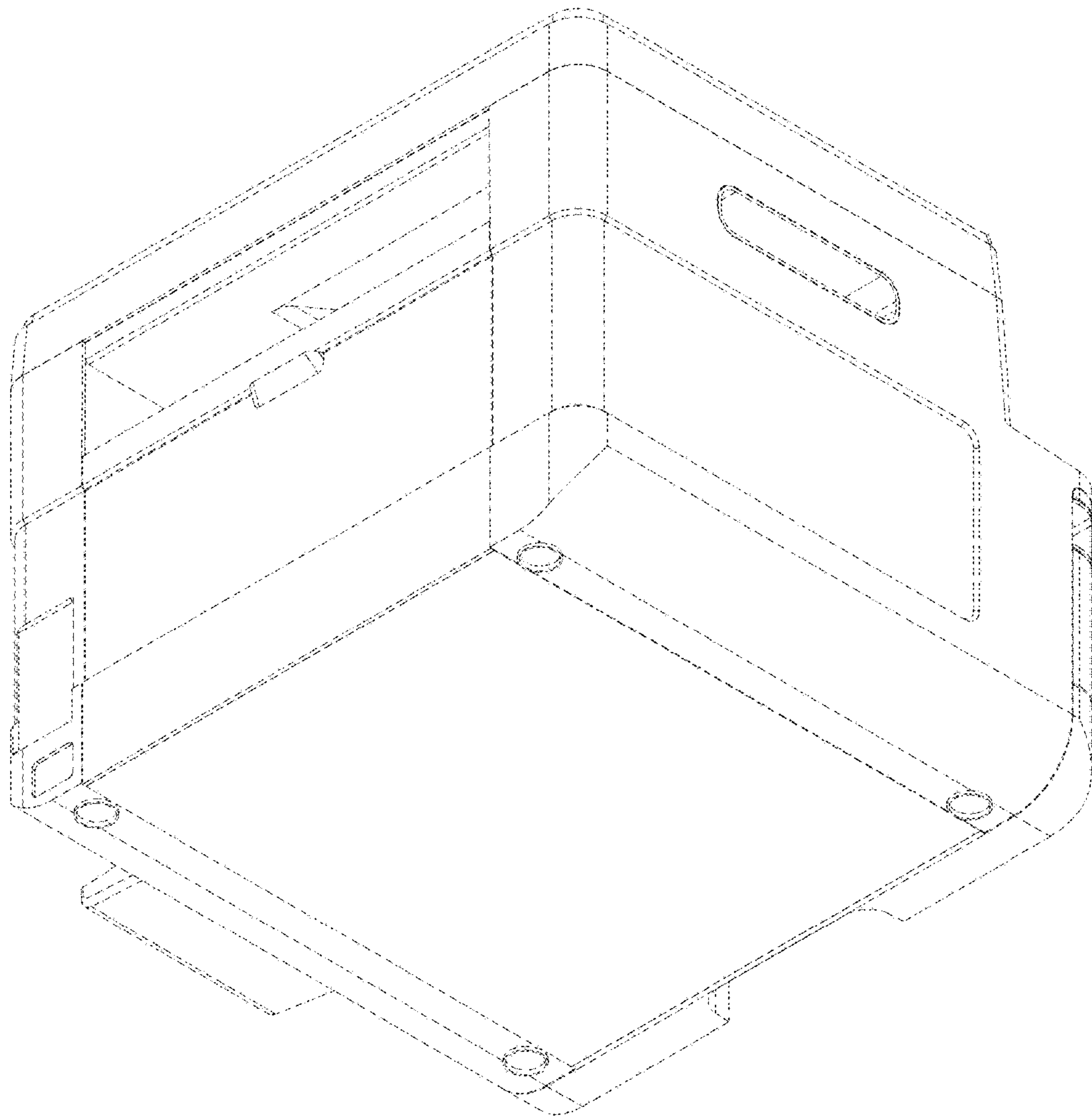


FIG. 19

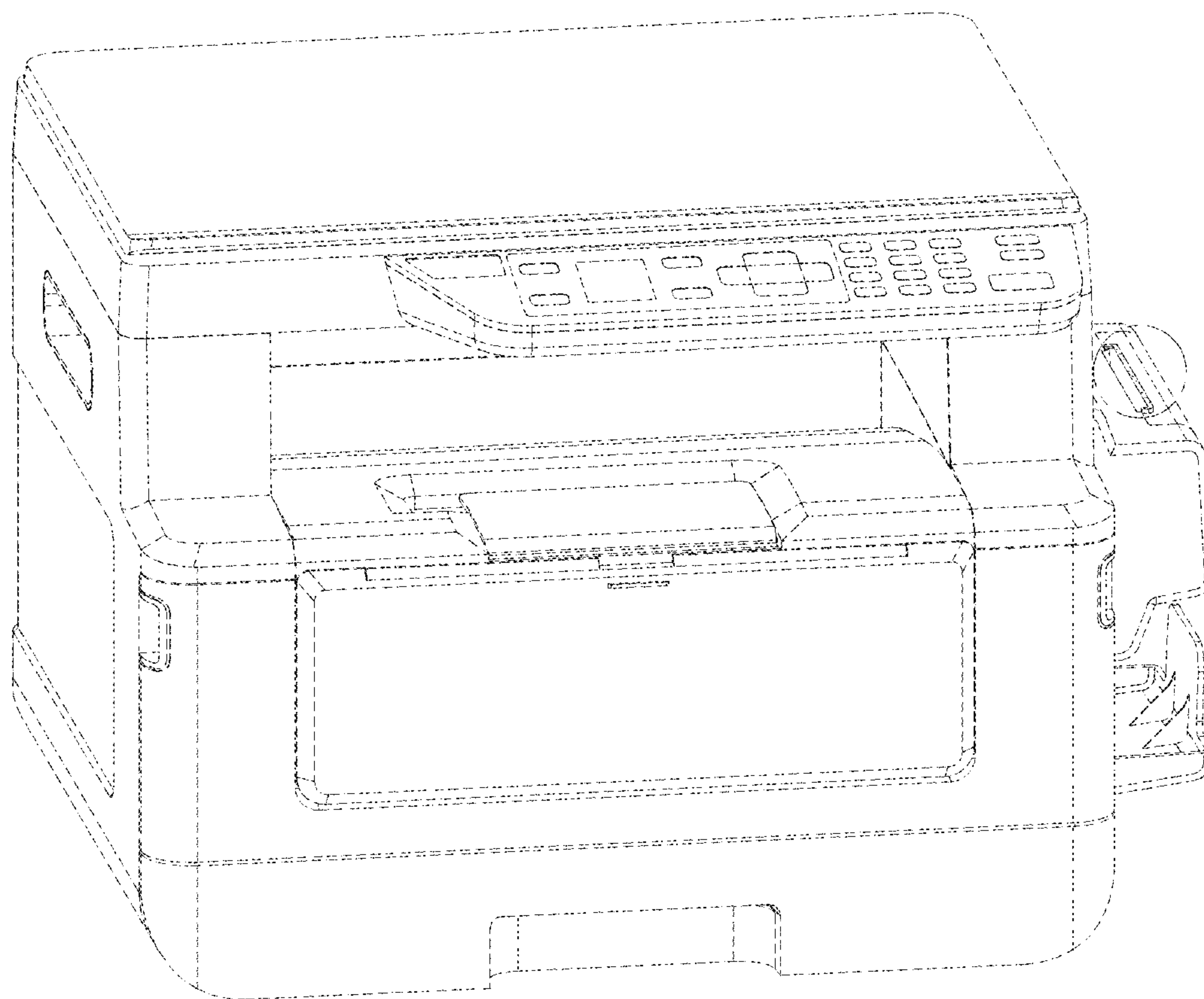


FIG. 20

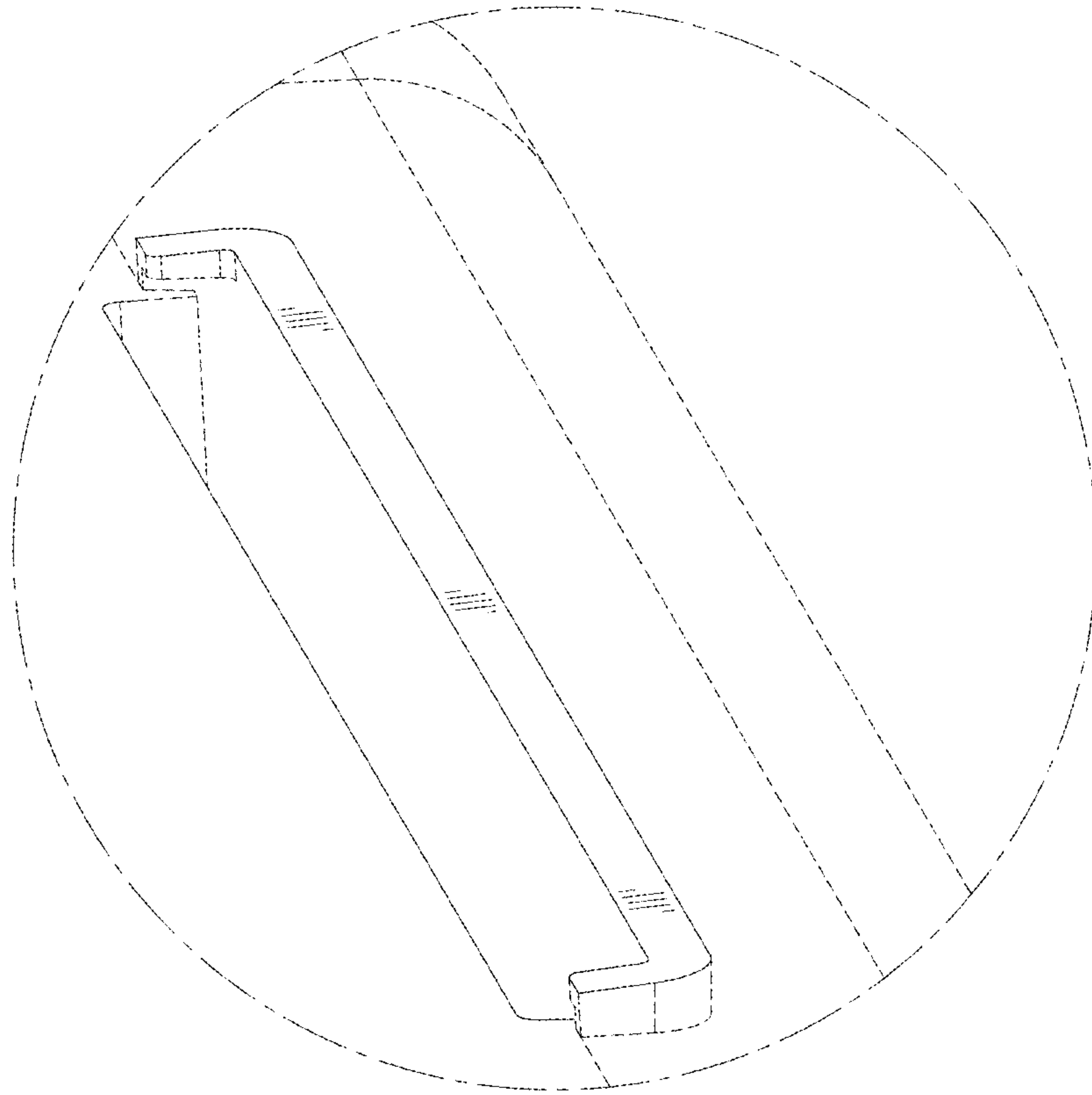


FIG. 21

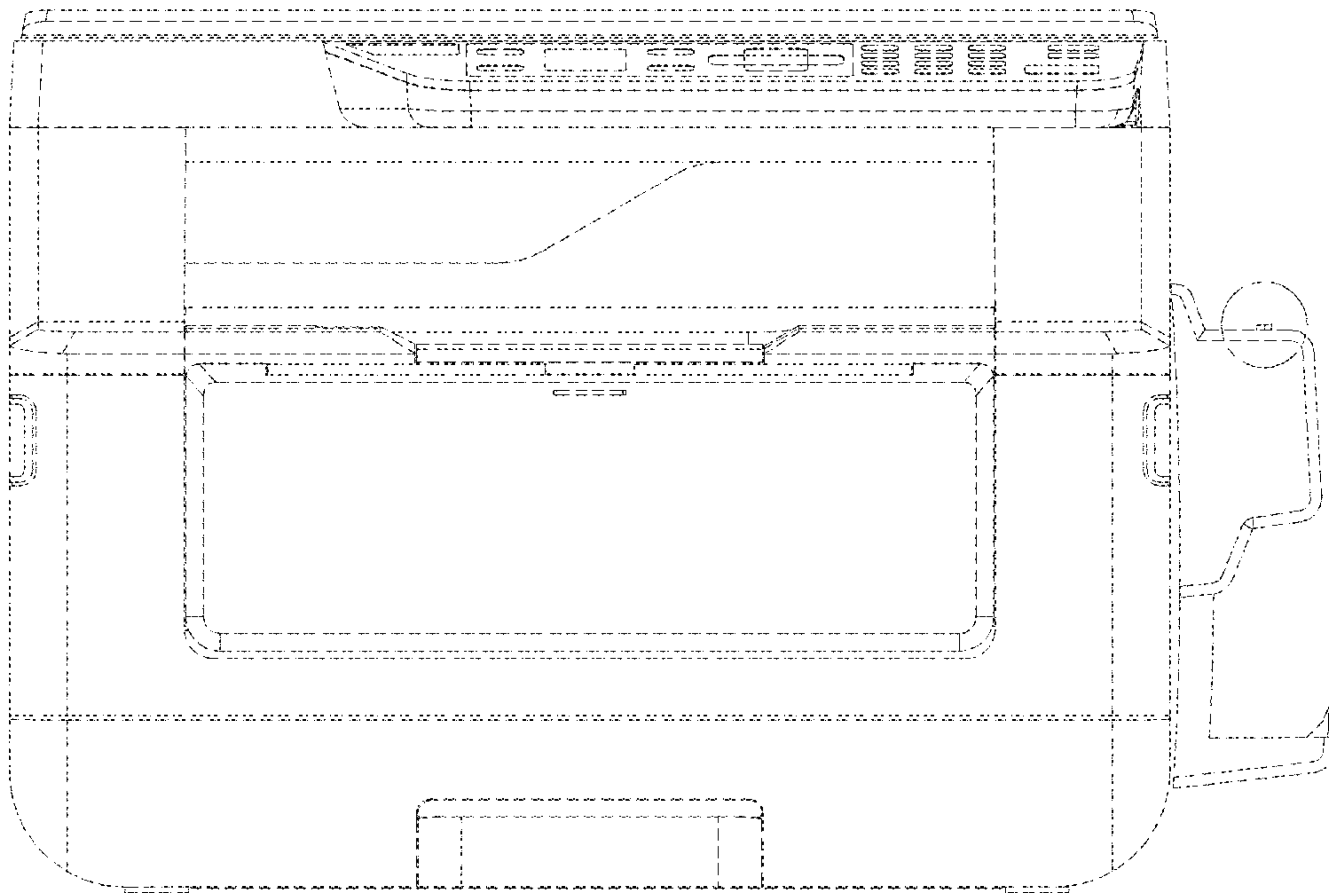


FIG. 22



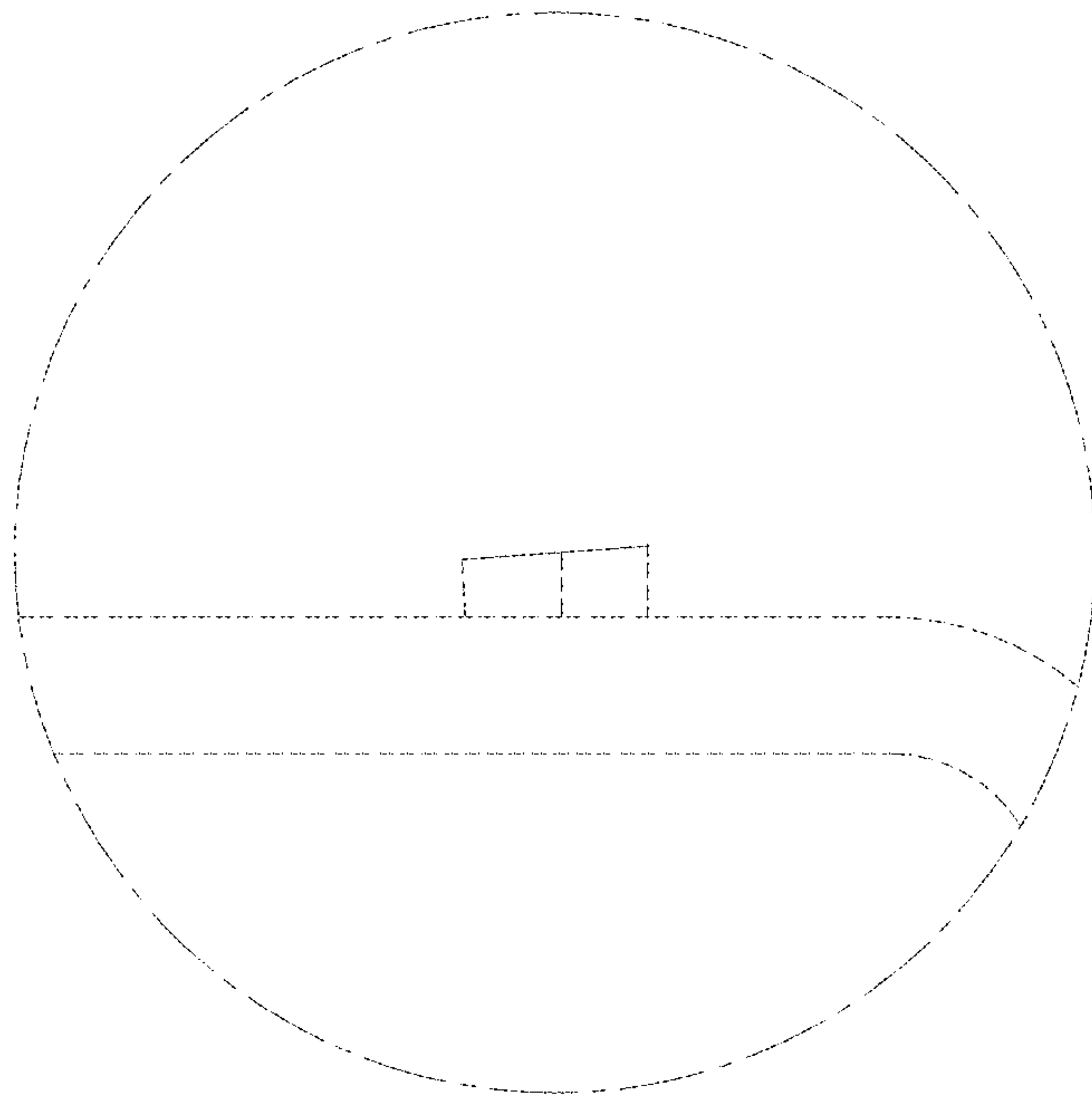


FIG. 23

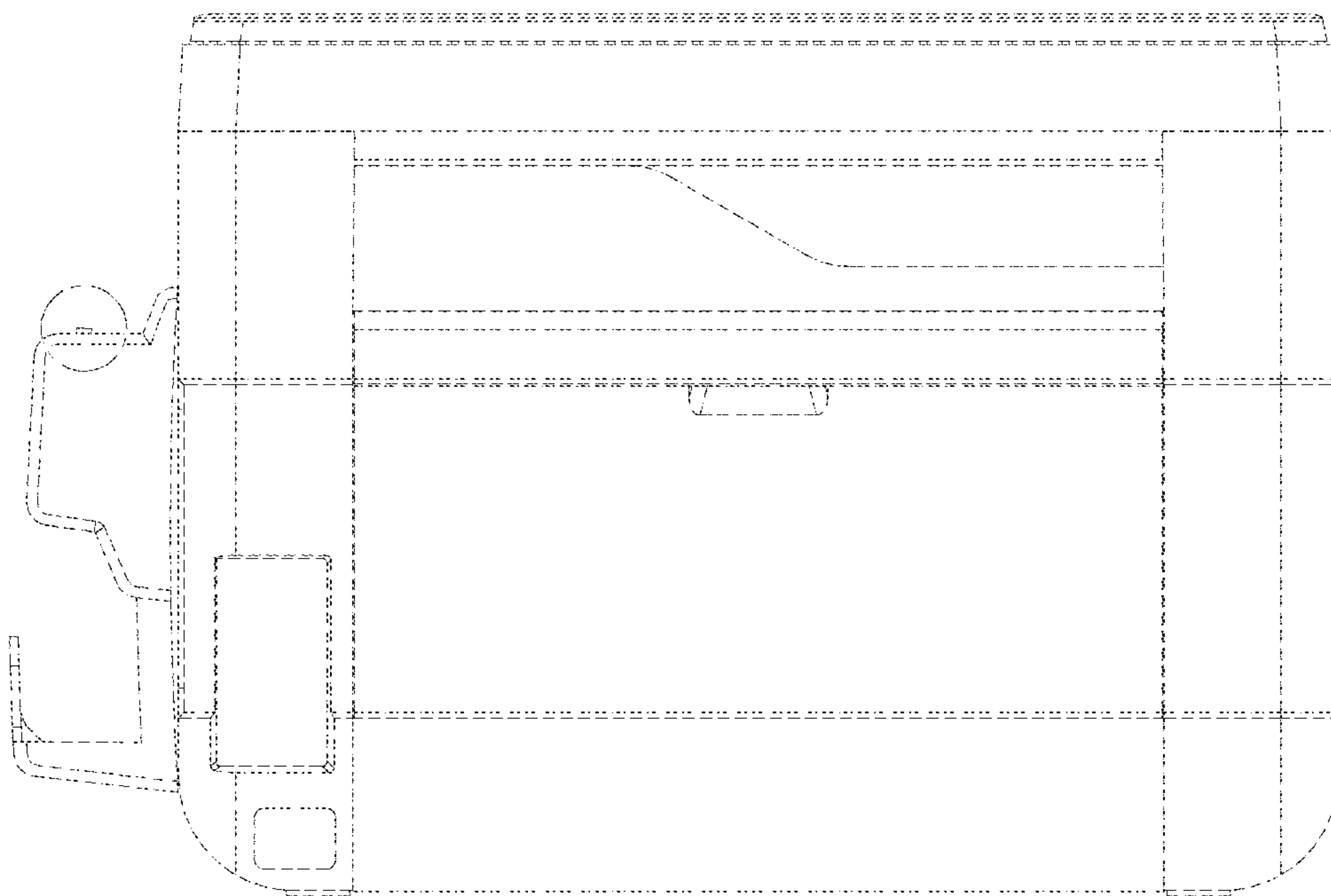


FIG. 24

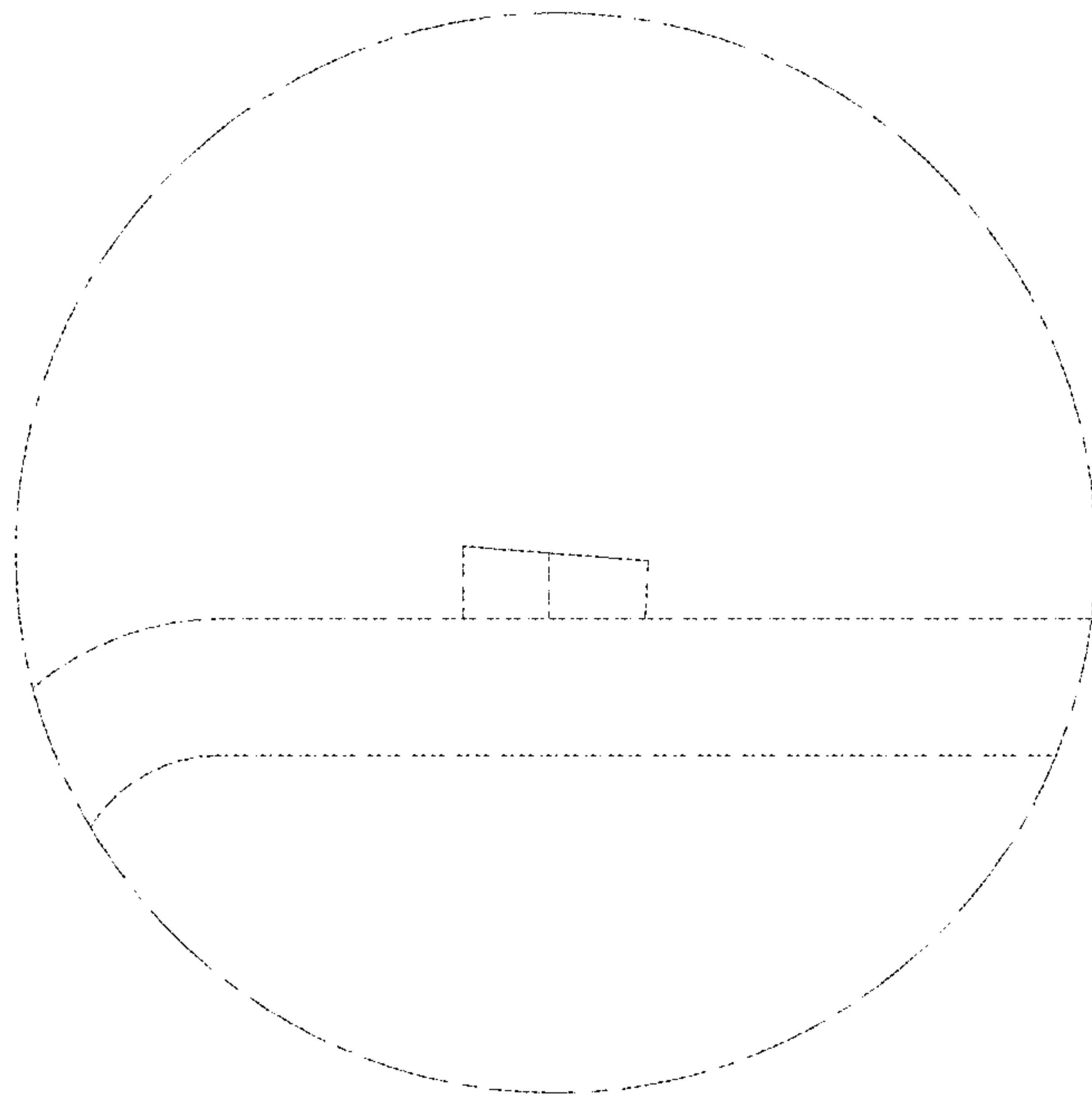


FIG. 25

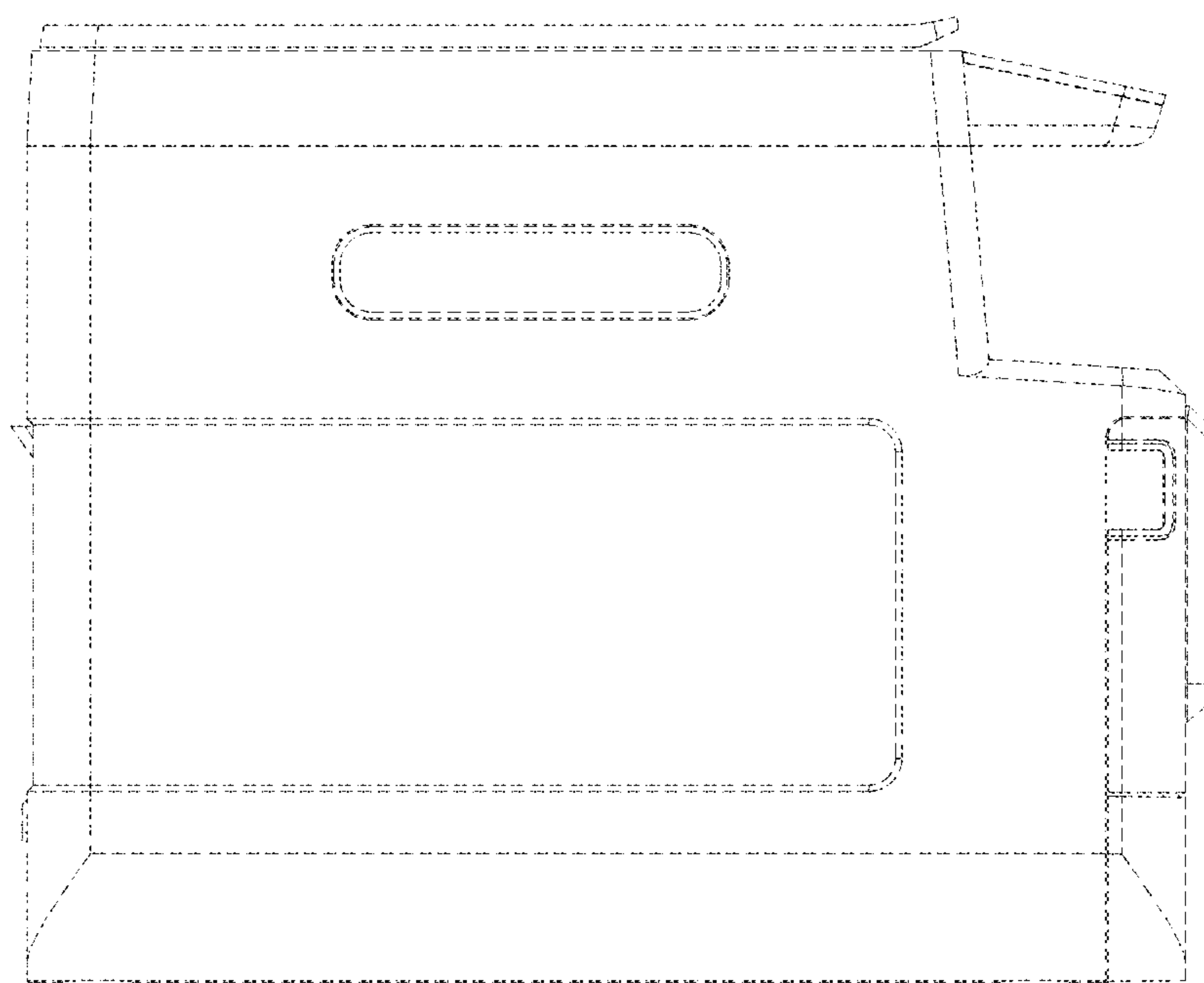


FIG. 26

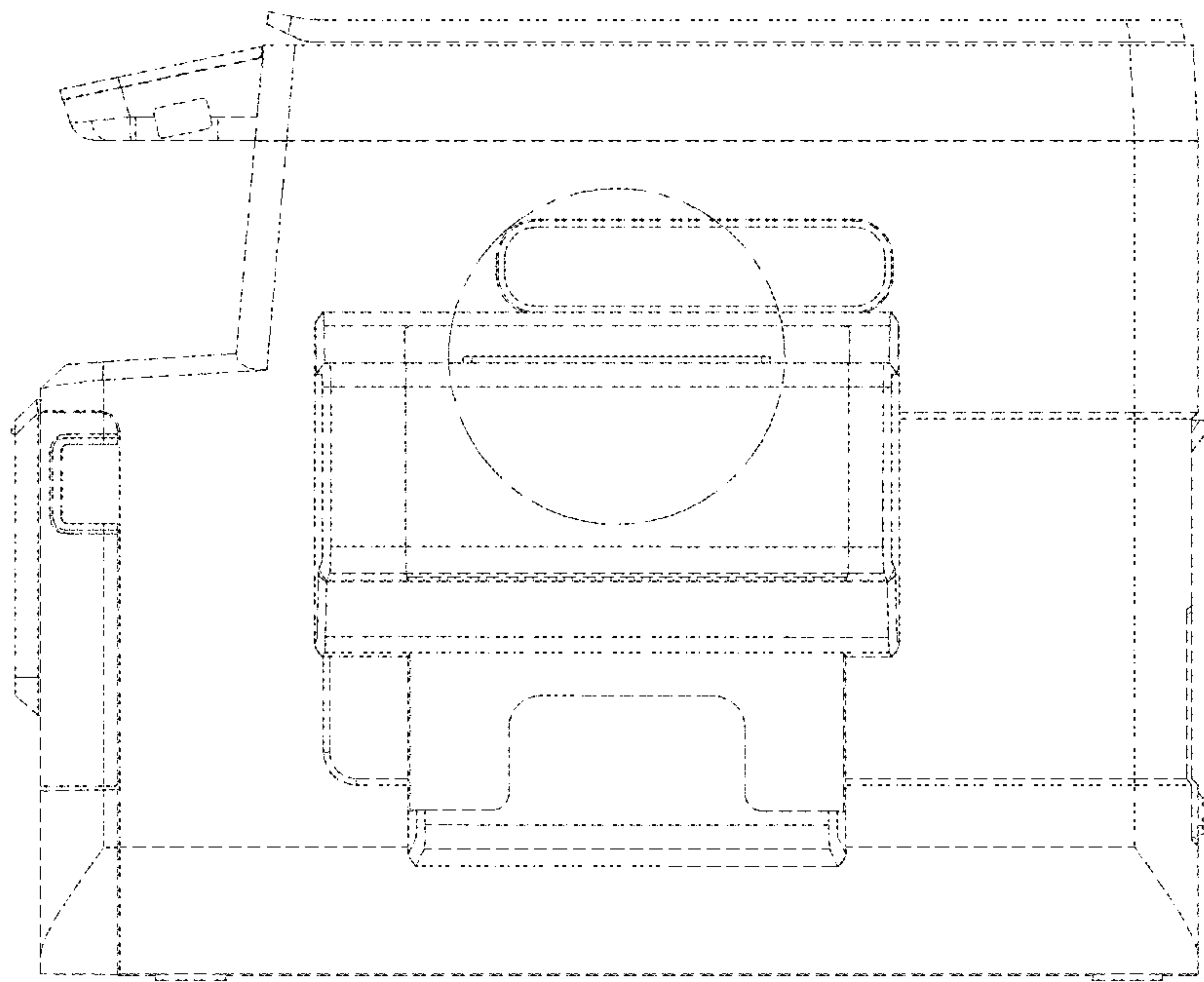


FIG. 27



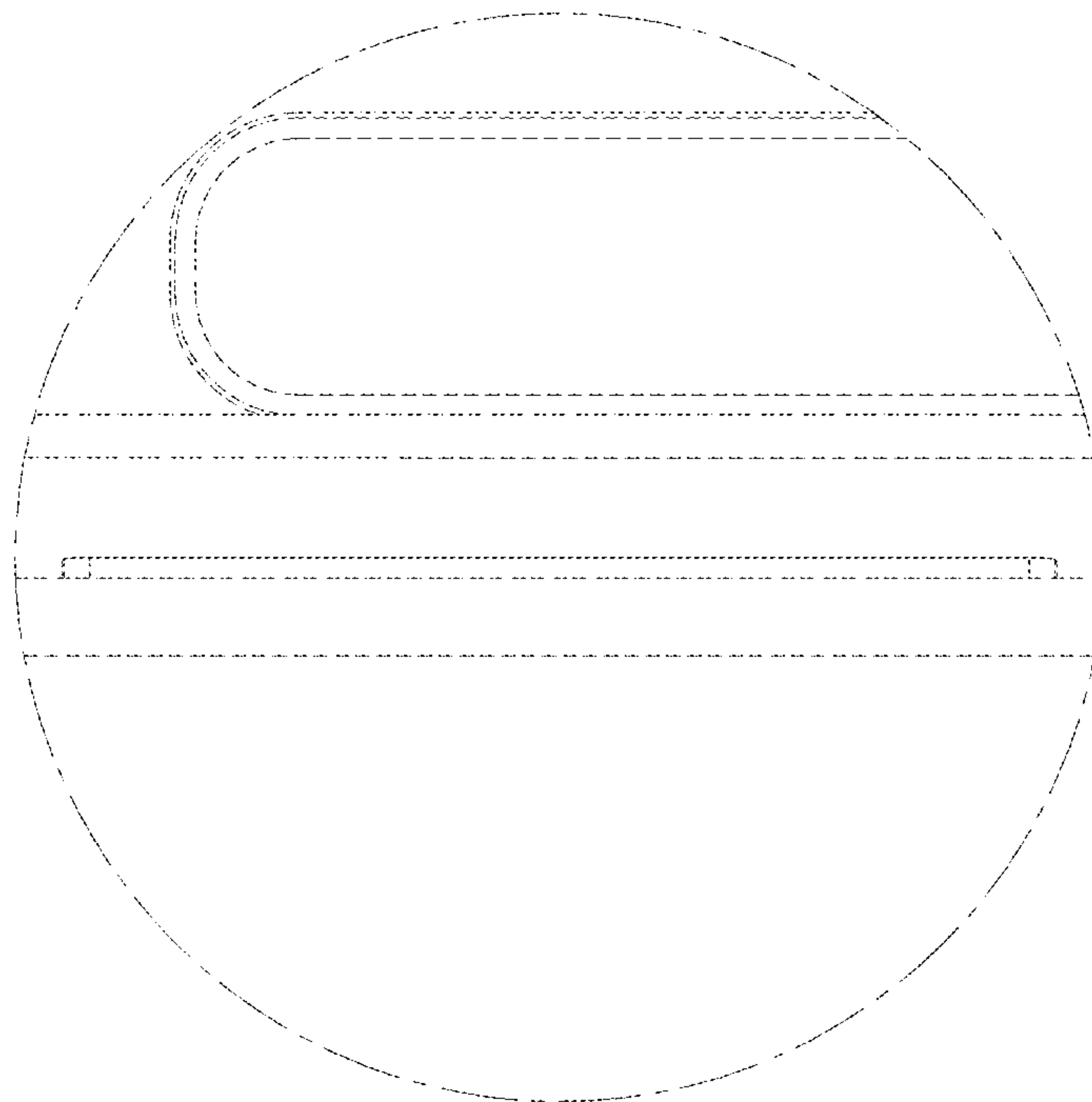


FIG. 28

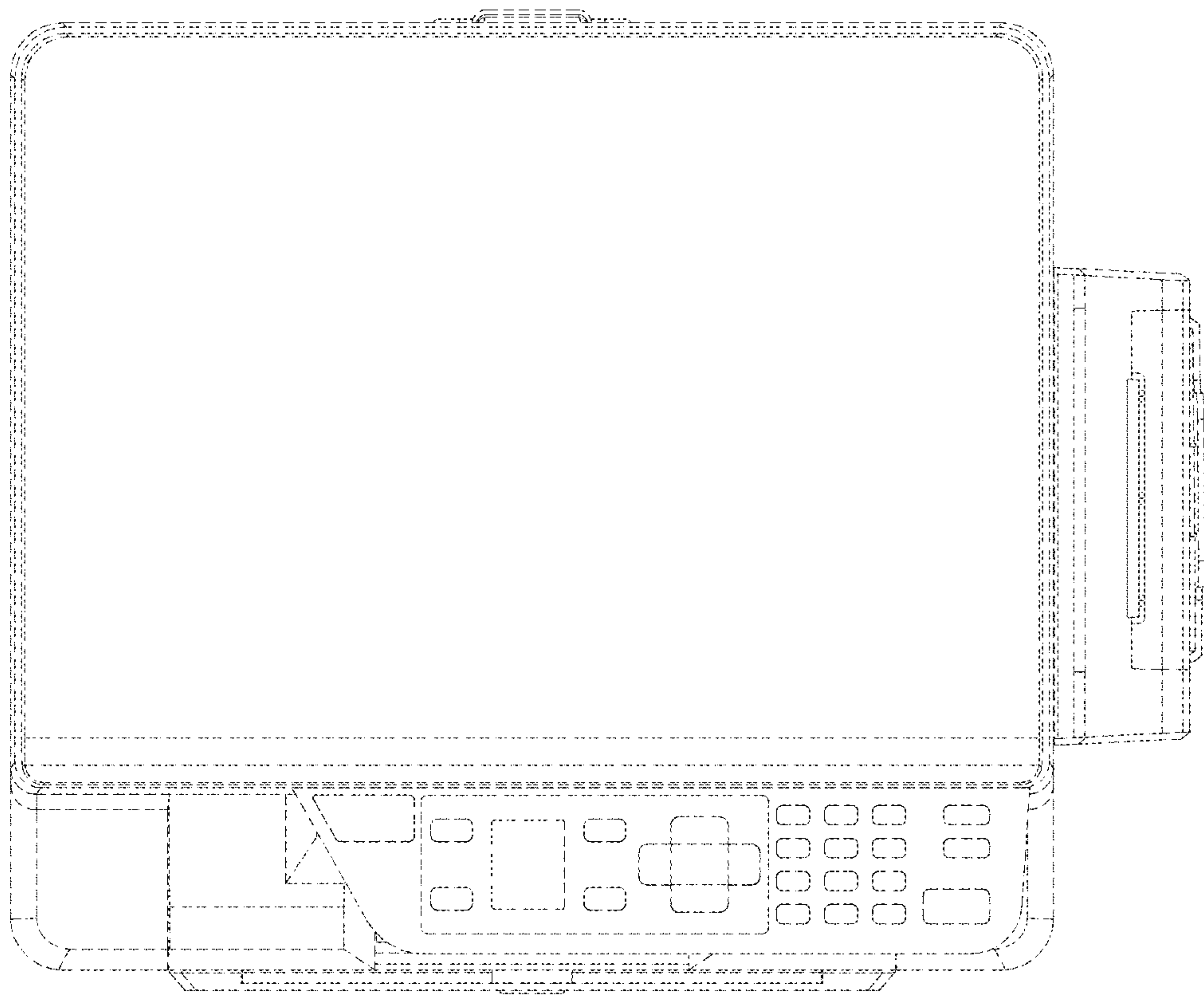


FIG. 29

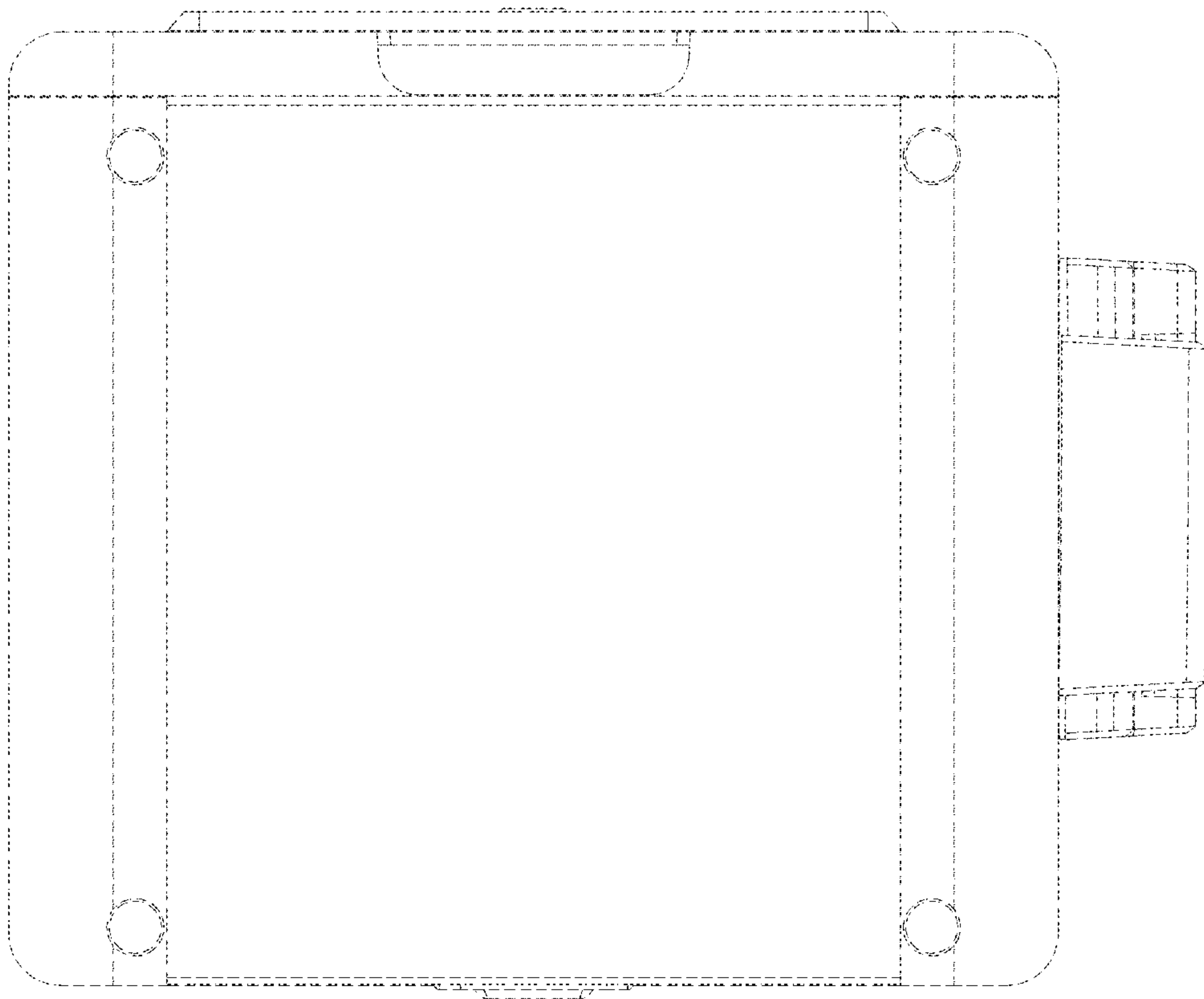


FIG. 30

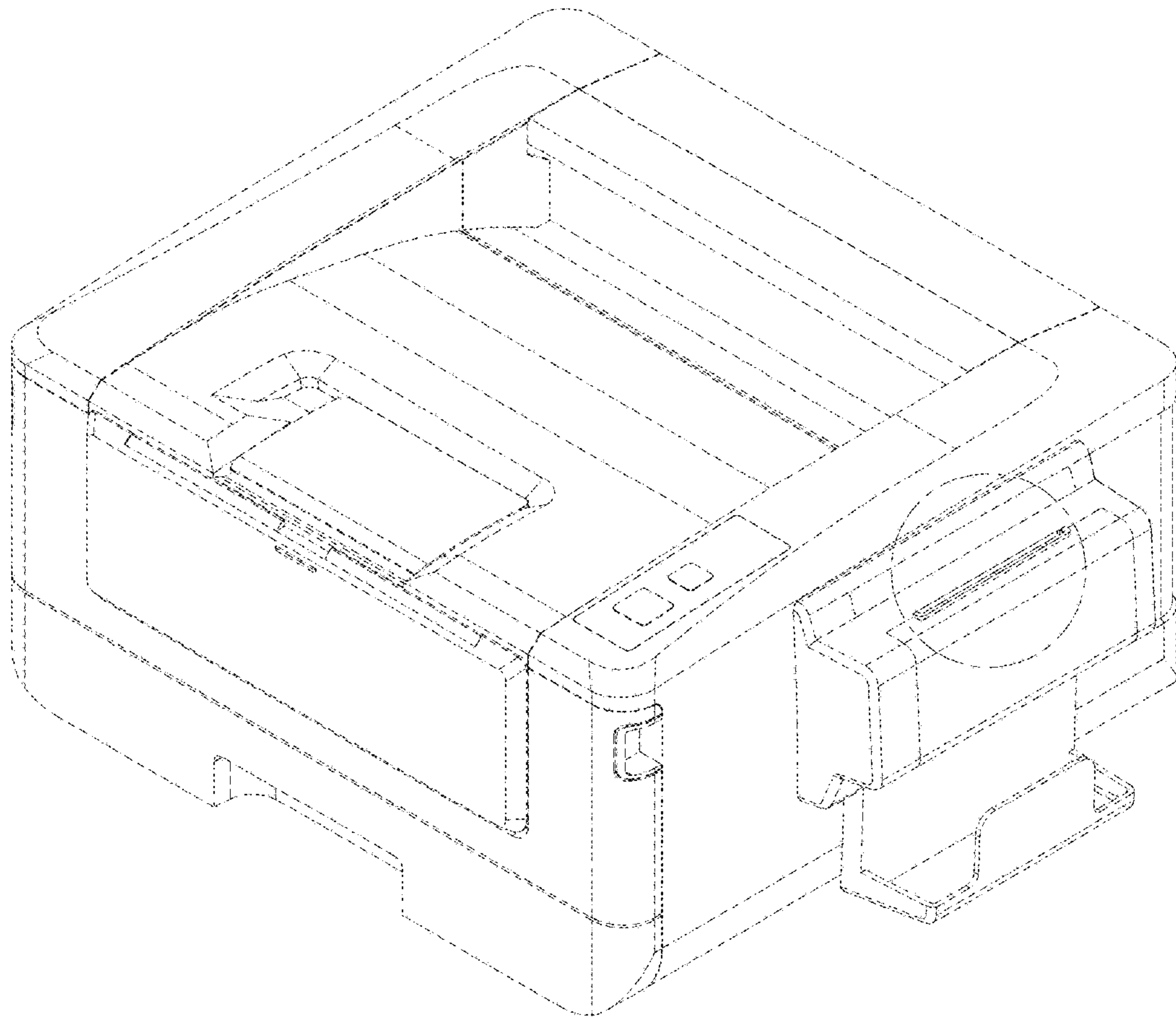


FIG. 31

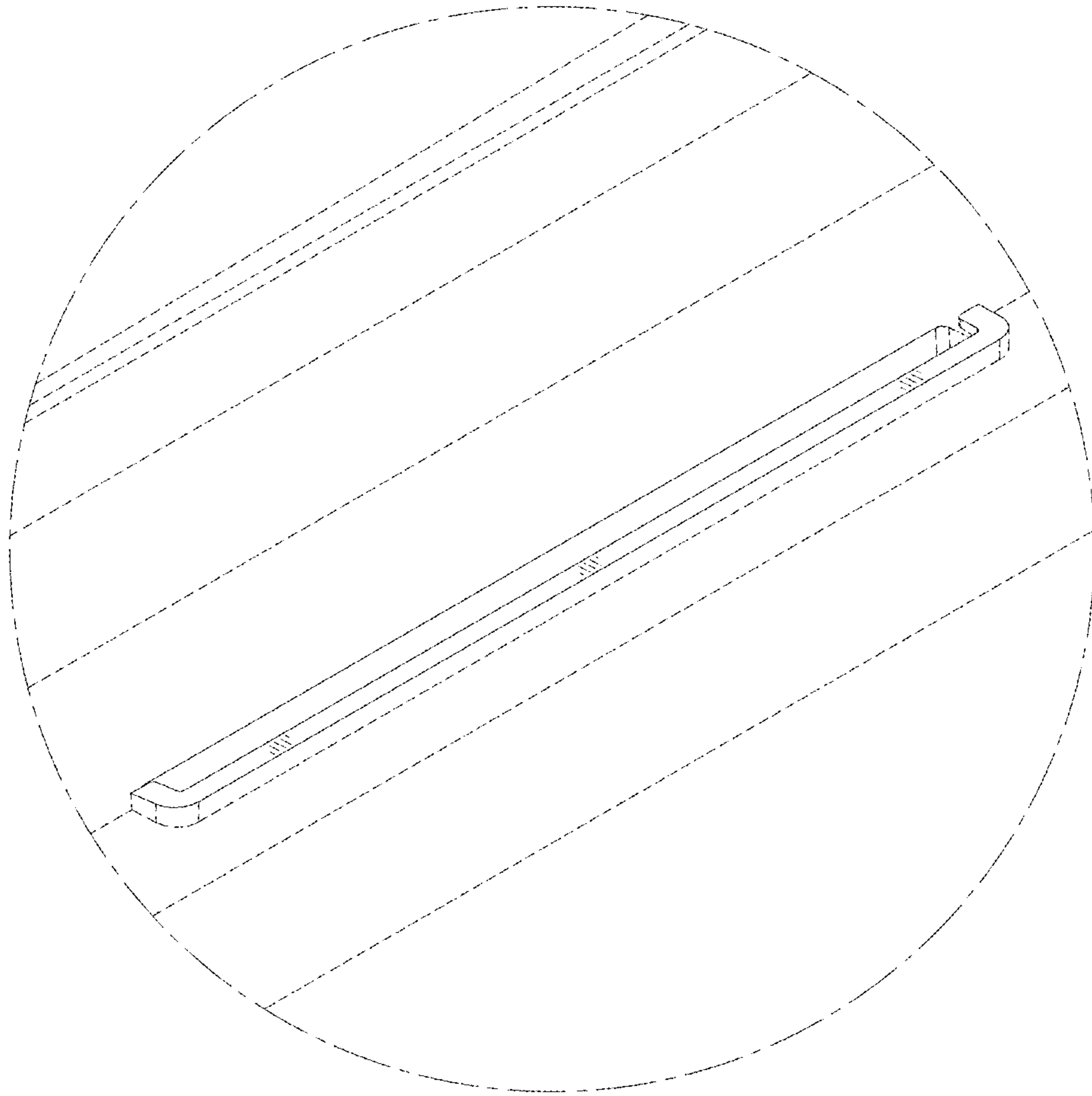


FIG. 32

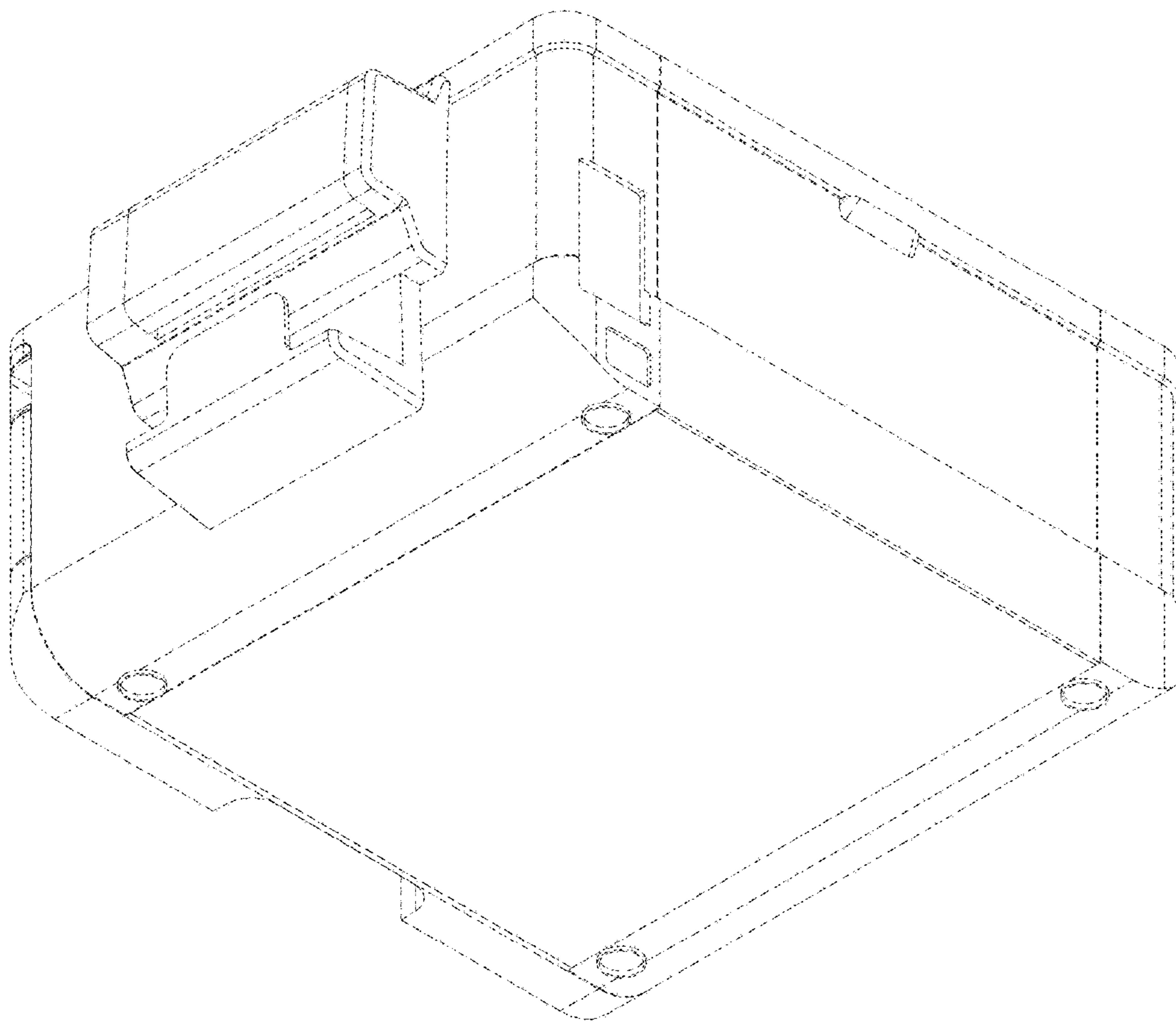


FIG. 33



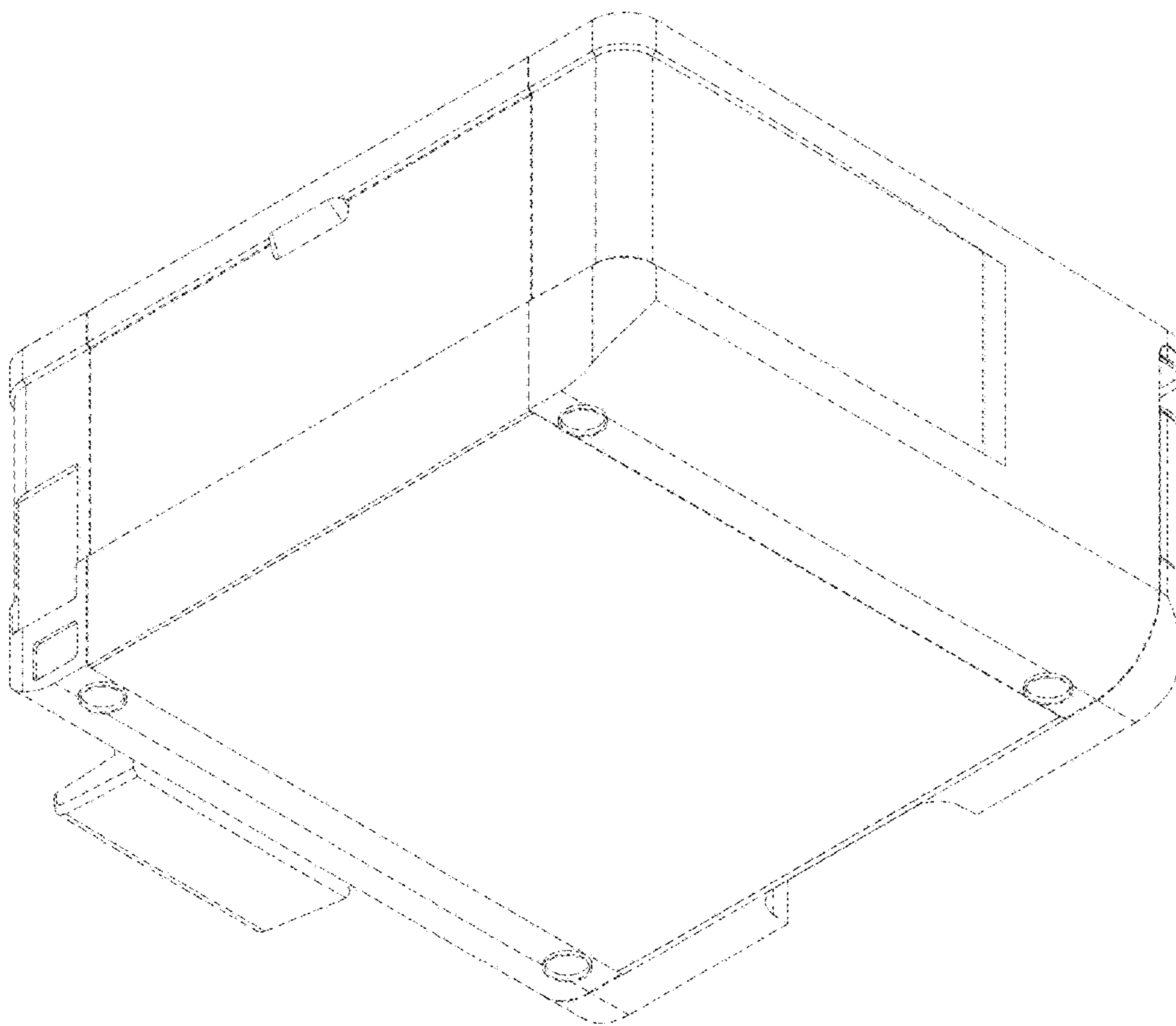


FIG. 34

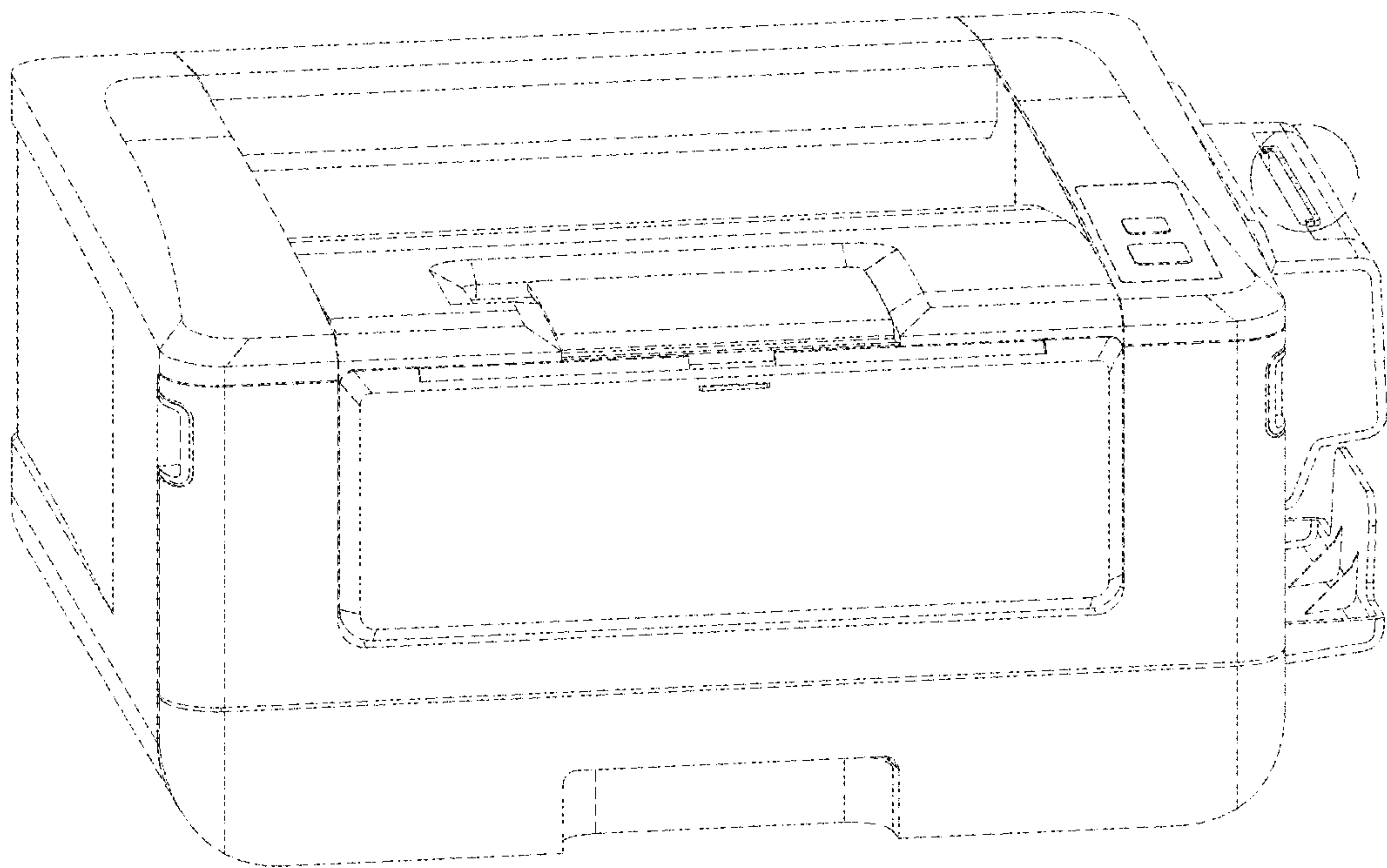


FIG. 35

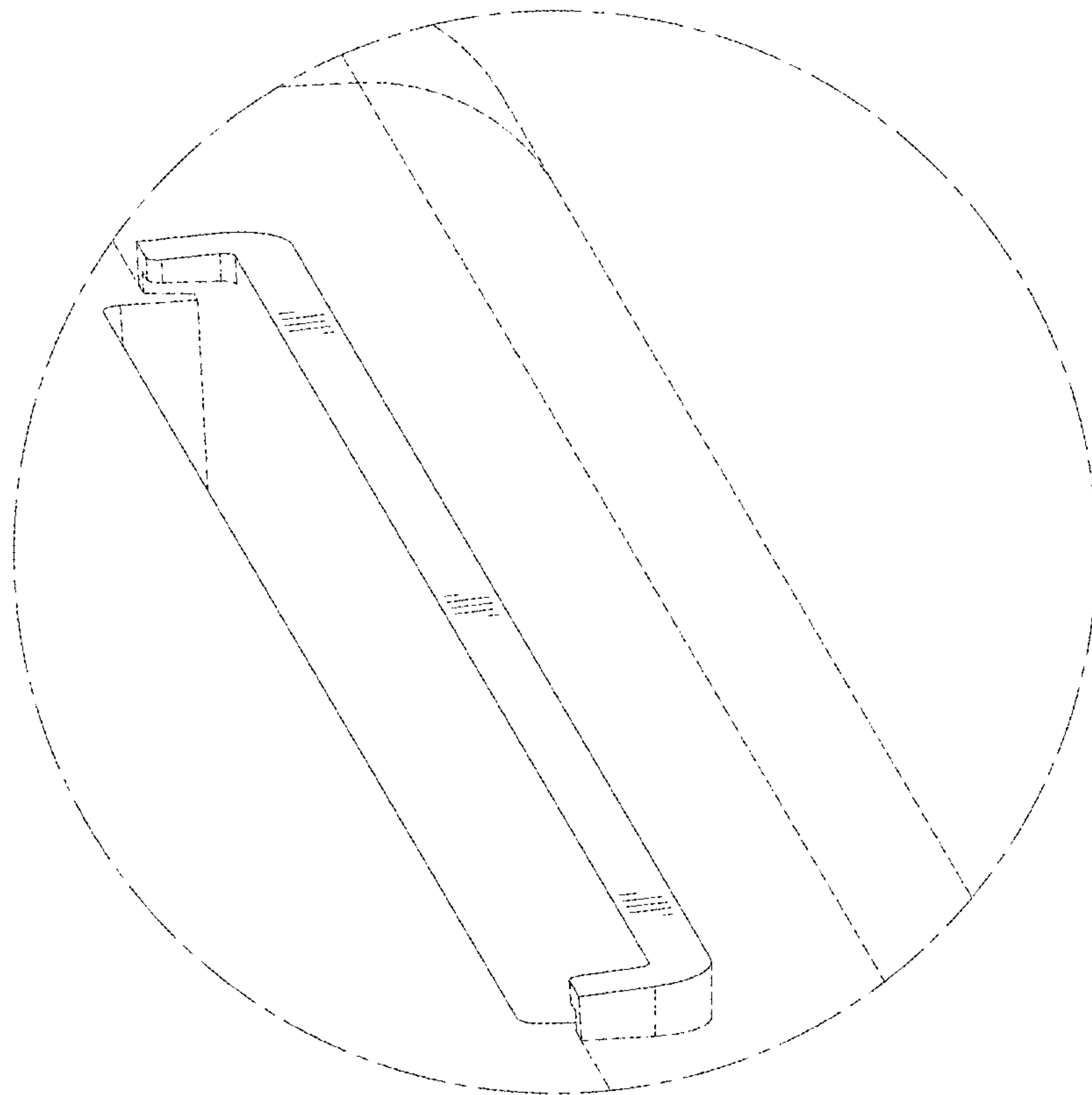


FIG. 36

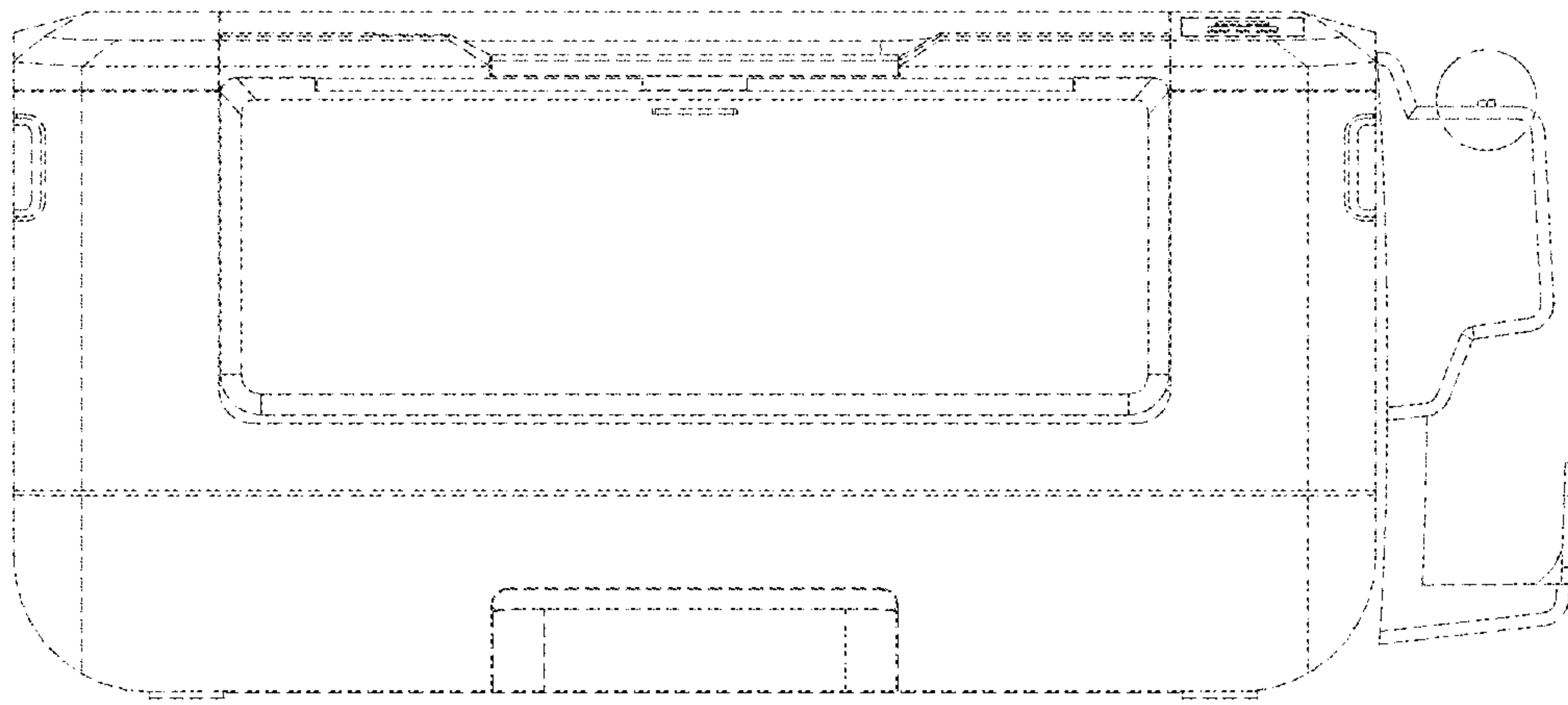


FIG. 37

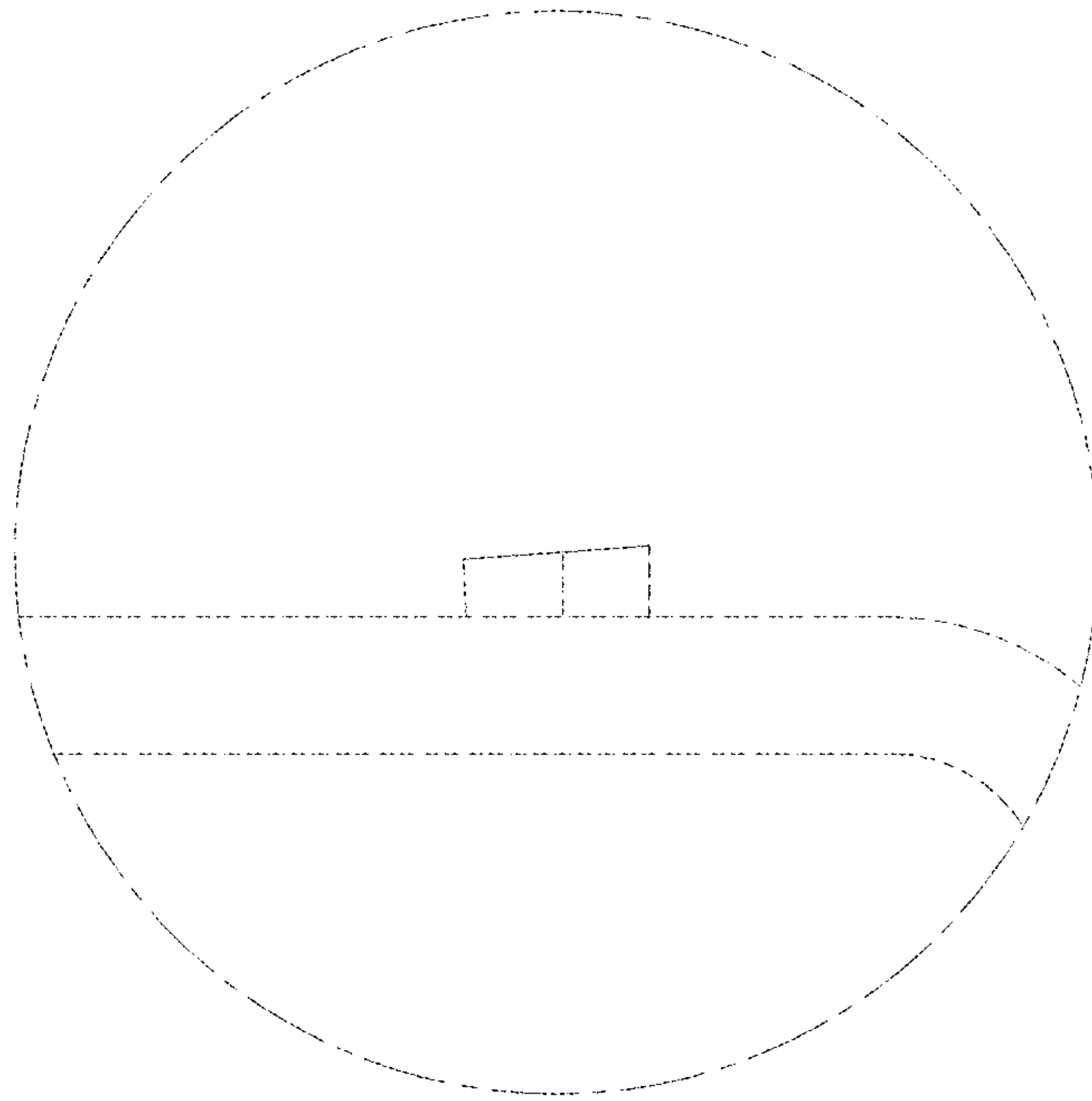


FIG. 38

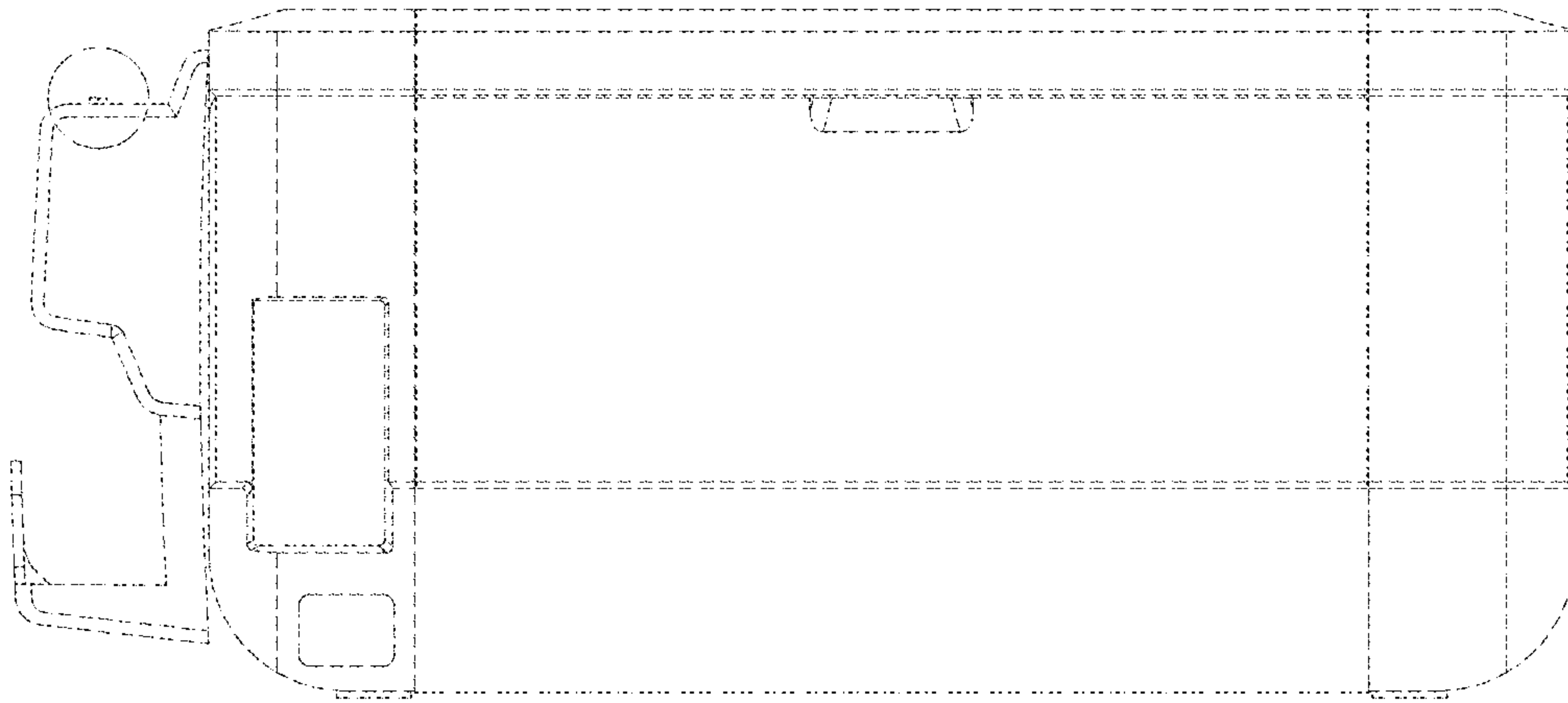


FIG. 39



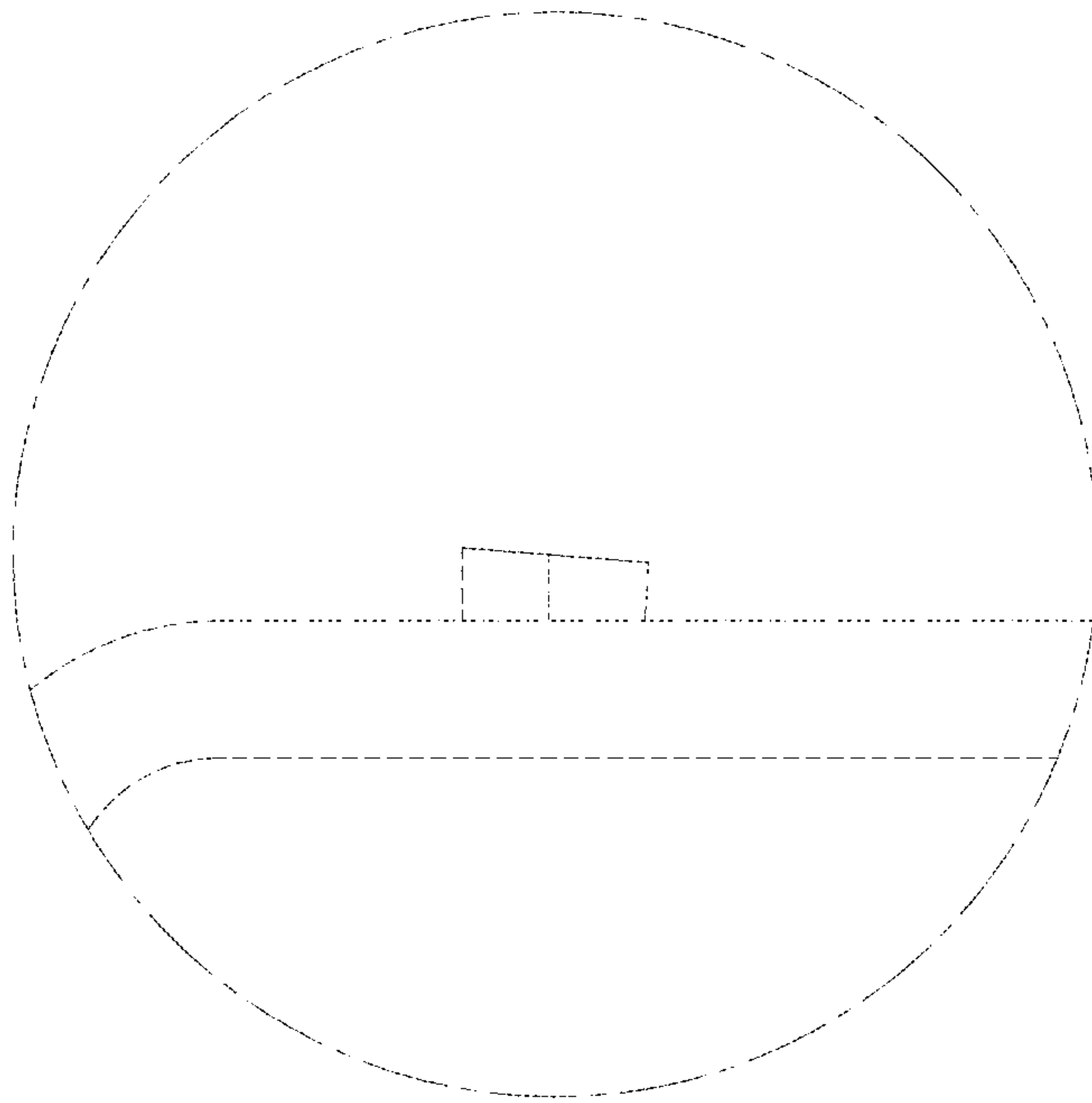


FIG. 40

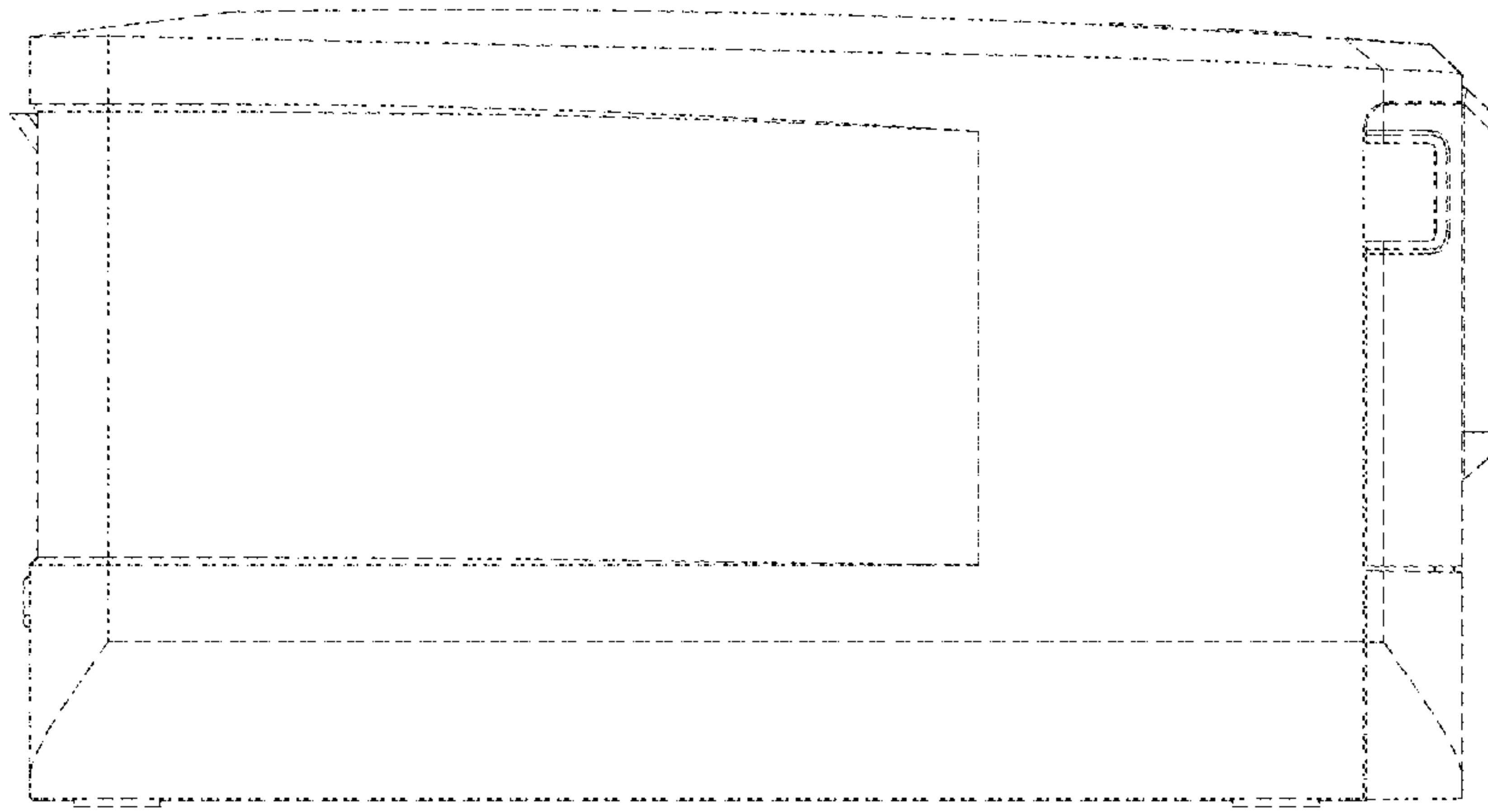


FIG. 41

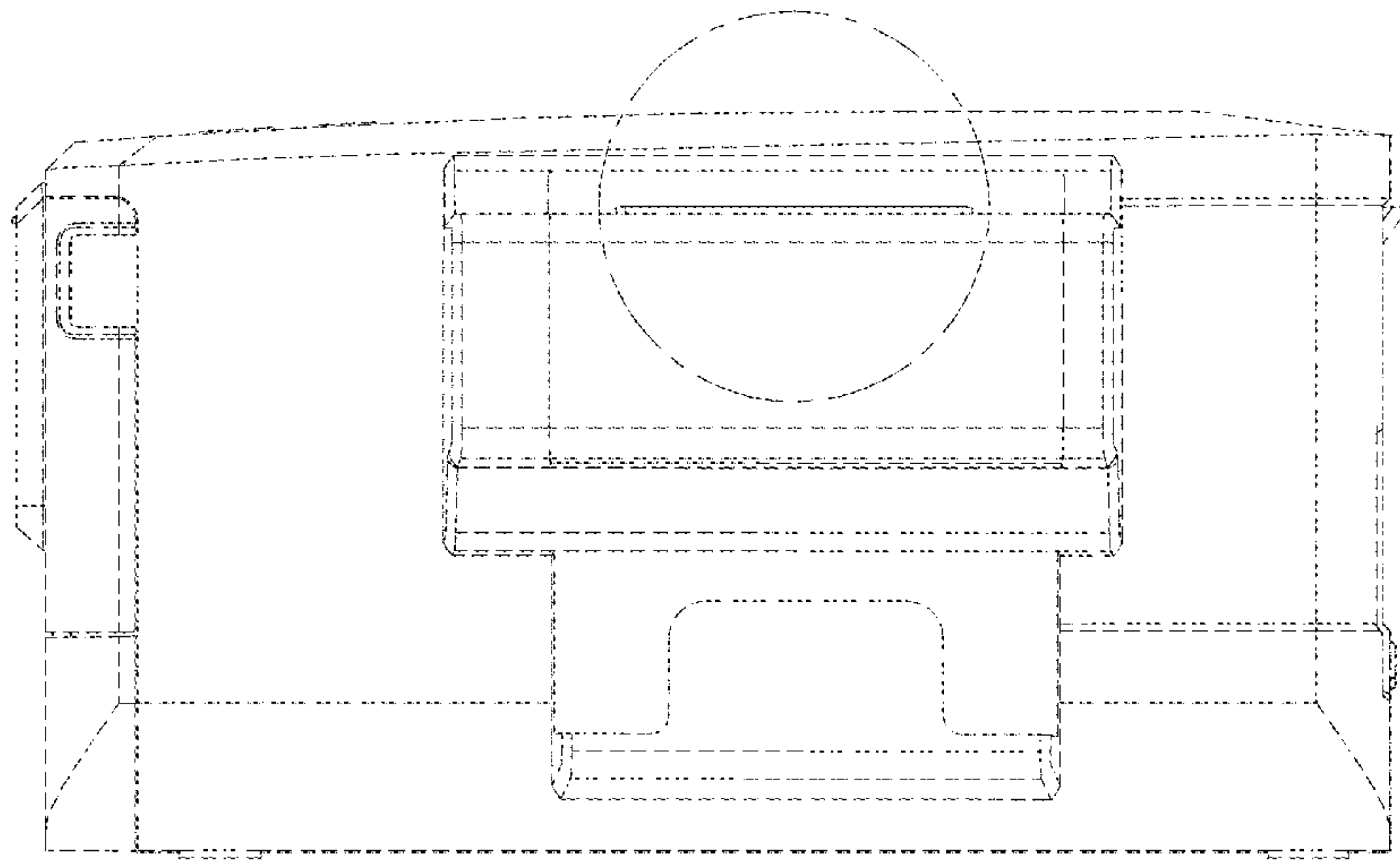


FIG. 42

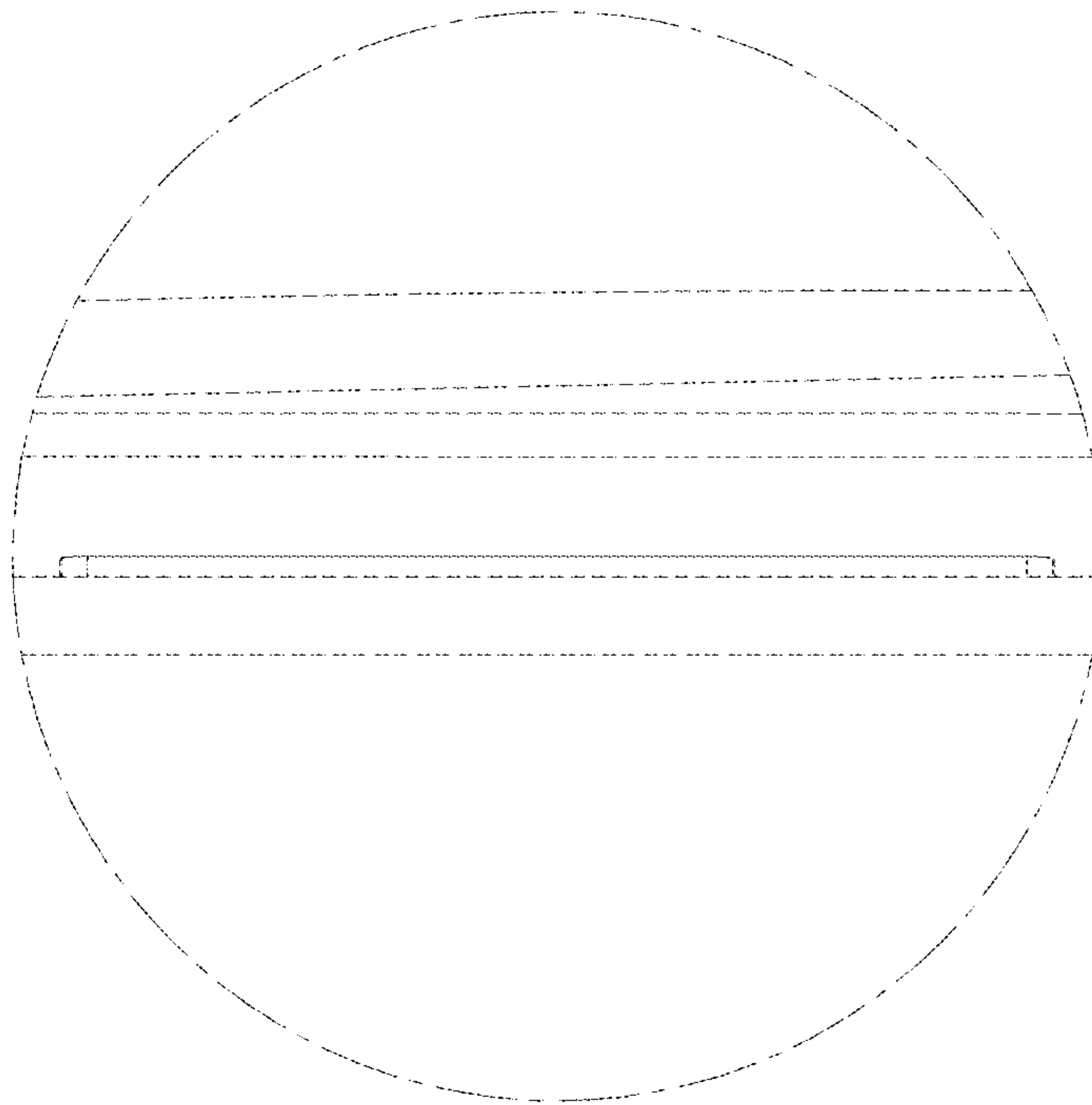


FIG. 43

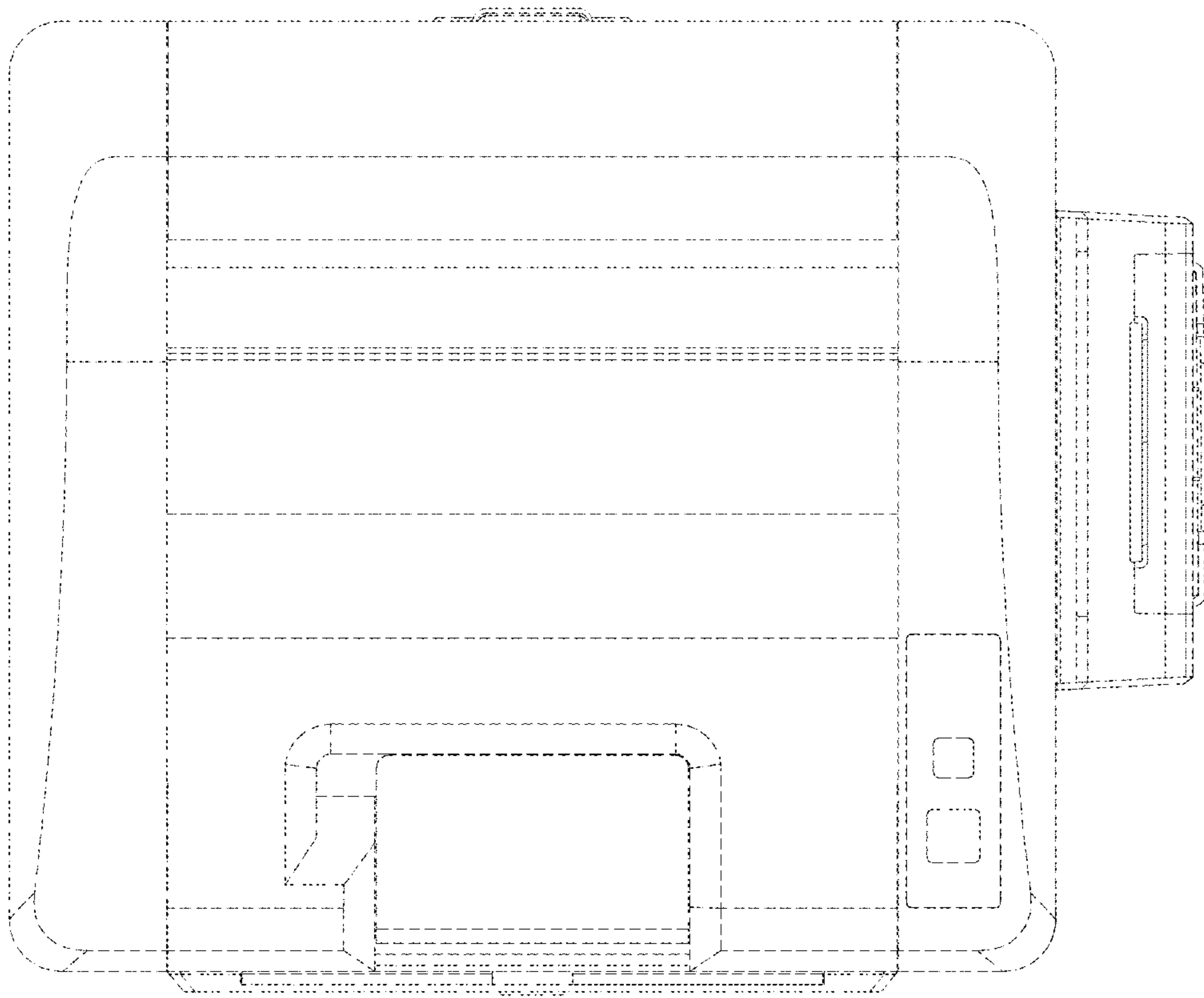


FIG. 44

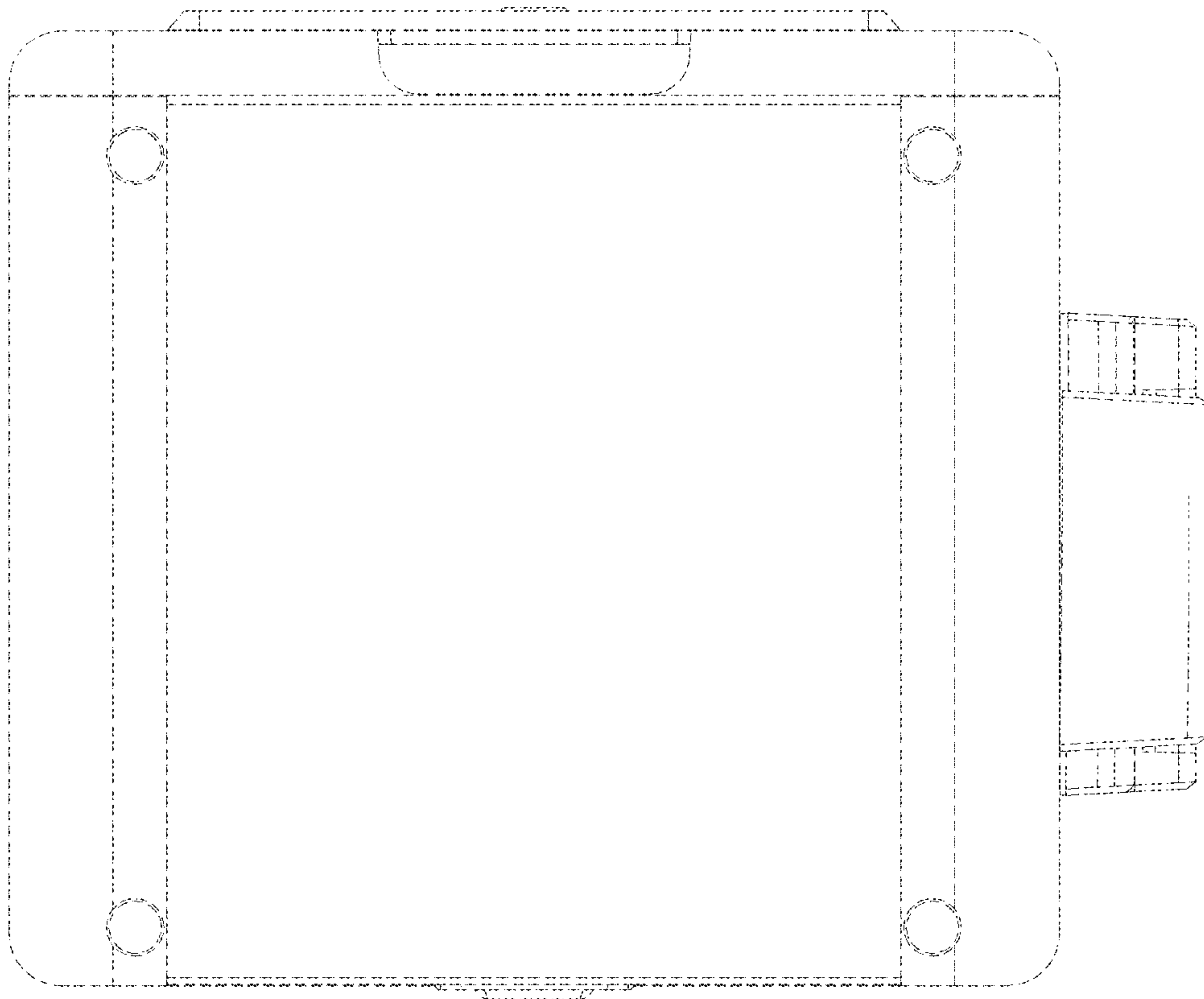


FIG. 45