



US00D797844S

(12) **United States Design Patent** (10) **Patent No.:** **US D797,844 S**  
**Tu et al.** (45) **Date of Patent:** **\*\* Sep. 19, 2017**

(54) **MULTI-FUNCTION PRINTER**

(71) Applicant: **AVISION INC.**, Hsinchu (TW)  
 (72) Inventors: **Chin-Jung Tu**, Hsinchu (TW);  
**Te-Hsun Liou**, Hsinchu (TW);  
**Chao-Yu Peng**, Hsinchu (TW);  
**Shao-Lan Sheng**, Hsinchu (TW)

(73) Assignee: **Avision Inc.** (TW)

(\*\*) Term: **15 Years**

(21) Appl. No.: **29/547,412**

(22) Filed: **Dec. 3, 2015**

(51) **LOC (10) Cl.** ..... **18-02**

(52) **U.S. Cl.**  
USPC ..... **D18/56**

(58) **Field of Classification Search**  
 USPC ..... D18/36, 37, 39, 40, 41, 44, 45, 46, 47,  
 D18/48, 49, 50, 51, 52, 53, 54, 55, 56;  
 D14/462, 463, 464, 465, 466, 467, 468,  
 D14/469, 470, 471, 301, 307, 129, 130  
 CPC ..... B41J 3/00; B41J 3/28; B41J 3/445; B41J  
 3/46; B65H 11/00; B65H 11/002; B65H  
 2301/331; B65H 29/46; G03B 27/04;  
 G03B 27/08; G03B 27/14; G03B 27/16;  
 G03G 15/00; G03G 15/04; G03G 15/23;  
 G03G 15/28; G03G 15/50; G03G 15/55;  
 G03G 15/60; G03G 15/65; G03G 15/221;  
 G03G 15/5075; G03G 15/6558; G03G  
 15/0832; G03G 15/0834; G03G 15/0836;  
 G03G 15/0837; G03G 15/0877; G03G  
 15/0867; G03G 15/0868; G03G 15/0872;  
 G03G 15/0898; G03G 15/5016; G03G  
 15/0841; G03G 21/1853; G03G 21/20;  
 G03G 21/18; G03G 21/08; G03G 21/16;  
 G03G 2221/1654; G03G 2221/183; G03G  
 2221/1684; G03G 2221/1645; G03F  
 7/70716; G06K 15/12; G06K 15/14;  
 H04N 1/00204; H04N 1/00249; H04N  
 1/00278; H04N 1/00602; H04N 1/00631

See application file for complete search history.

(56) **References Cited**

U.S. PATENT DOCUMENTS

4,316,666 A \* 2/1982 Ceelen ..... G03G 15/222  
 399/313  
 4,893,137 A \* 1/1990 Ebinuma ..... B41J 2/1652  
 346/134

(Continued)

FOREIGN PATENT DOCUMENTS

JP D1443156 6/2012

OTHER PUBLICATIONS

AM7850i Intelligent Copier, announced May 26, 2016 [online],  
 [retrieved Sep. 28, 2016] Available from Internet, URL: <<http://www.computex.biz/computextaipei/CompanyInterviewDetail.aspx?index=39275>>.\*

*Primary Examiner* — Barbara Fox  
*Assistant Examiner* — Mary C Ramirez

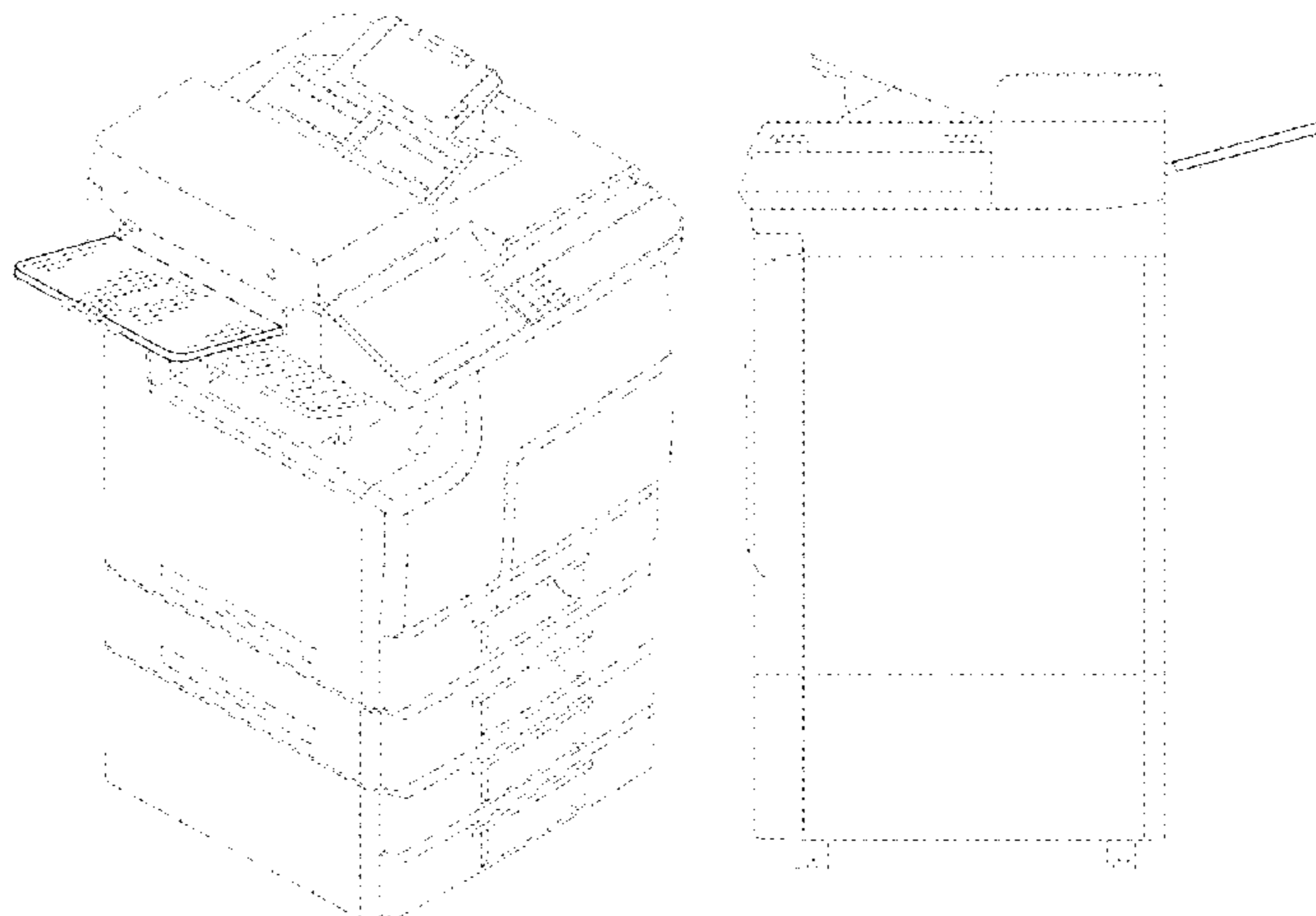
(57) **CLAIM**

The ornamental design for a multi-function printer, as shown and described.

**DESCRIPTION**

FIG. 1 is a front, left side perspective view of a multi-function printer showing our new design;  
 FIG. 2 is a front, right side perspective view thereof;  
 FIG. 3 is a front view thereof;  
 FIG. 4 is a rear view thereof;  
 FIG. 5 is a left side view thereof;  
 FIG. 6 is a right side view thereof;  
 FIG. 7 is a top plan view thereof; and,  
 FIG. 8 is a bottom plan view thereof.  
 The dash-dash lines in the drawings depict portions of the multi-function printer that form no part of the claimed design. The dash-dot-dash lines depict the boundary of the claim and form no part of the claimed design.

**1 Claim, 8 Drawing Sheets**



(56)

**References Cited**

## U.S. PATENT DOCUMENTS

D330,723 S \* 11/1992 Mitsushima ..... D18/55  
D357,697 S \* 4/1995 Tashiro ..... D18/46  
D400,918 S \* 11/1998 Kobayashi ..... 347/108  
D478,618 S \* 8/2003 Obara ..... D18/54  
D521,059 S \* 5/2006 Richtsmeier ..... D18/55  
D522,047 S \* 5/2006 Ko ..... D14/422  
D528,156 S \* 9/2006 King ..... D18/55  
D582,922 S \* 12/2008 Tani ..... D14/469  
D641,778 S \* 7/2011 Lee ..... D14/421  
D647,957 S \* 11/2011 Dwyer ..... D18/50  
D648,782 S \* 11/2011 Dwyer ..... D18/50  
D660,908 S \* 5/2012 Leman ..... D18/55  
D662,131 S \* 6/2012 Leman ..... D18/55  
D681,108 S \* 4/2013 Lim ..... D18/50  
D727,328 S \* 4/2015 Nanno ..... D14/421  
9,232,097 B2 \* 1/2016 Tu ..... H04N 1/00557  
D752,143 S \* 3/2016 So ..... D18/55  
2003/0236713 A1 \* 12/2003 Kuwabara ..... G06Q 10/087  
705/26.1  
2005/0249519 A1 \* 11/2005 Chadez ..... G03G 15/0868  
399/106  
2012/0248686 A1 \* 10/2012 Kawauchi ..... B65H 3/063  
271/248

\* cited by examiner

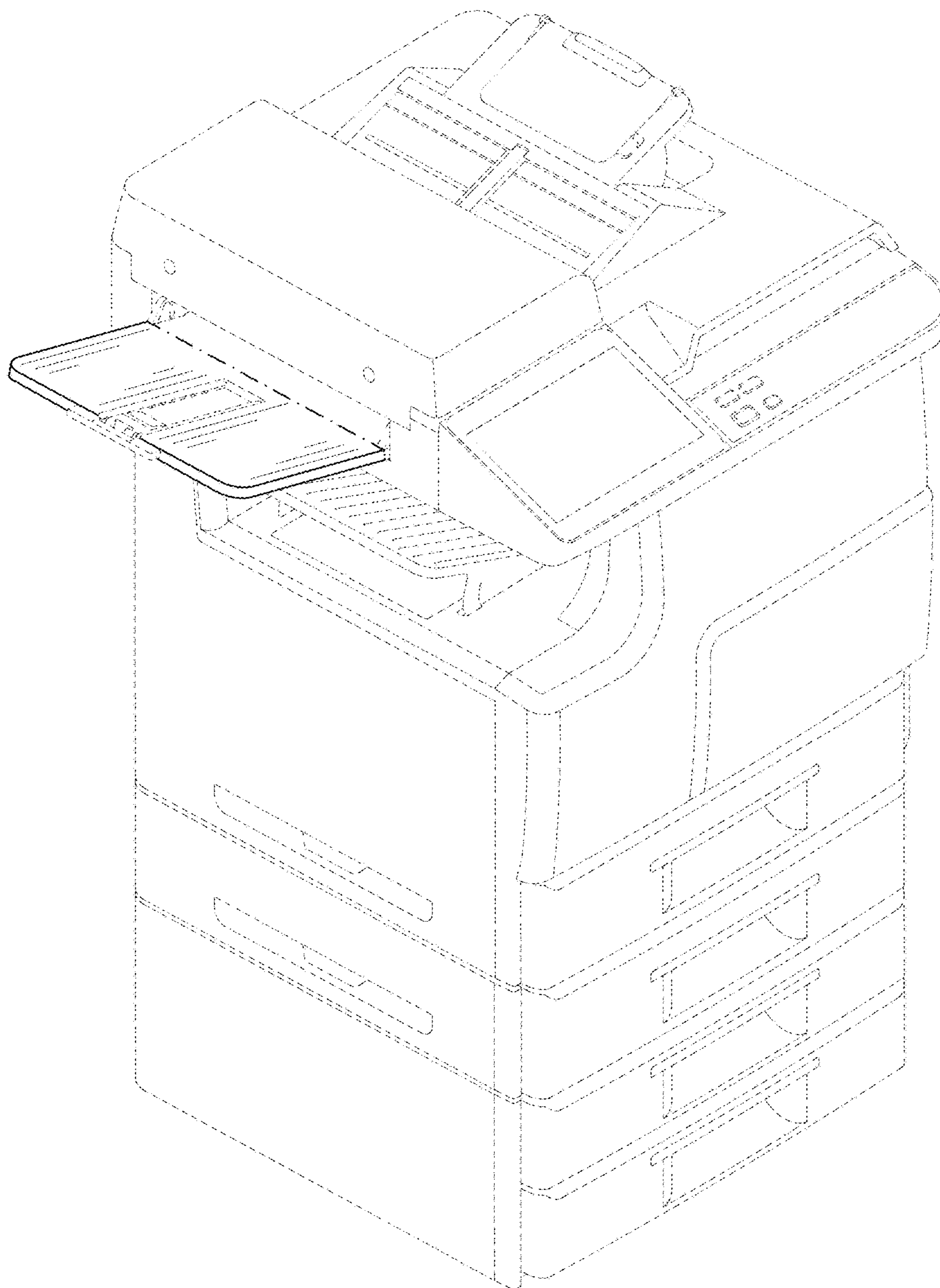


FIG. 1

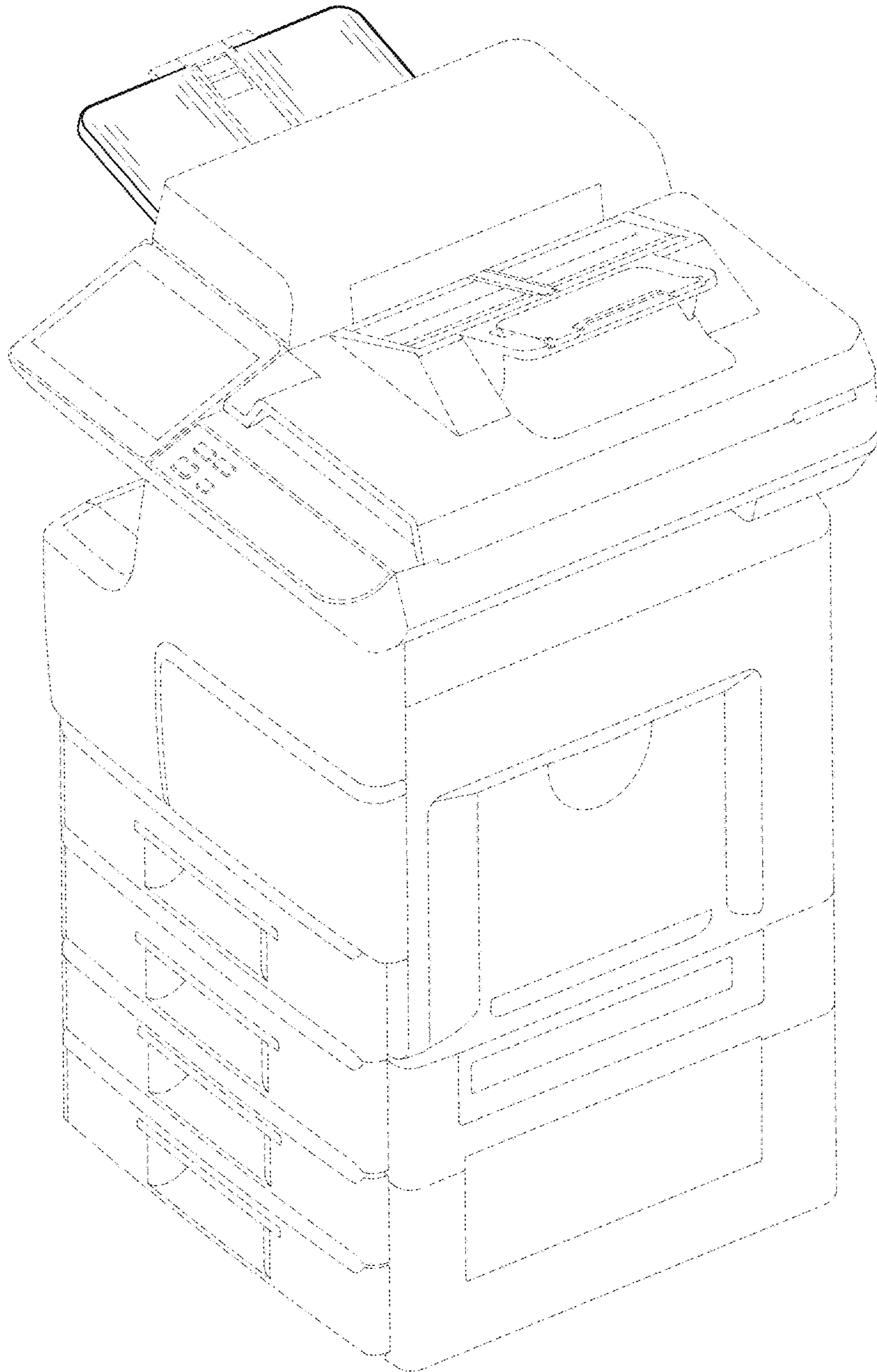


FIG. 2

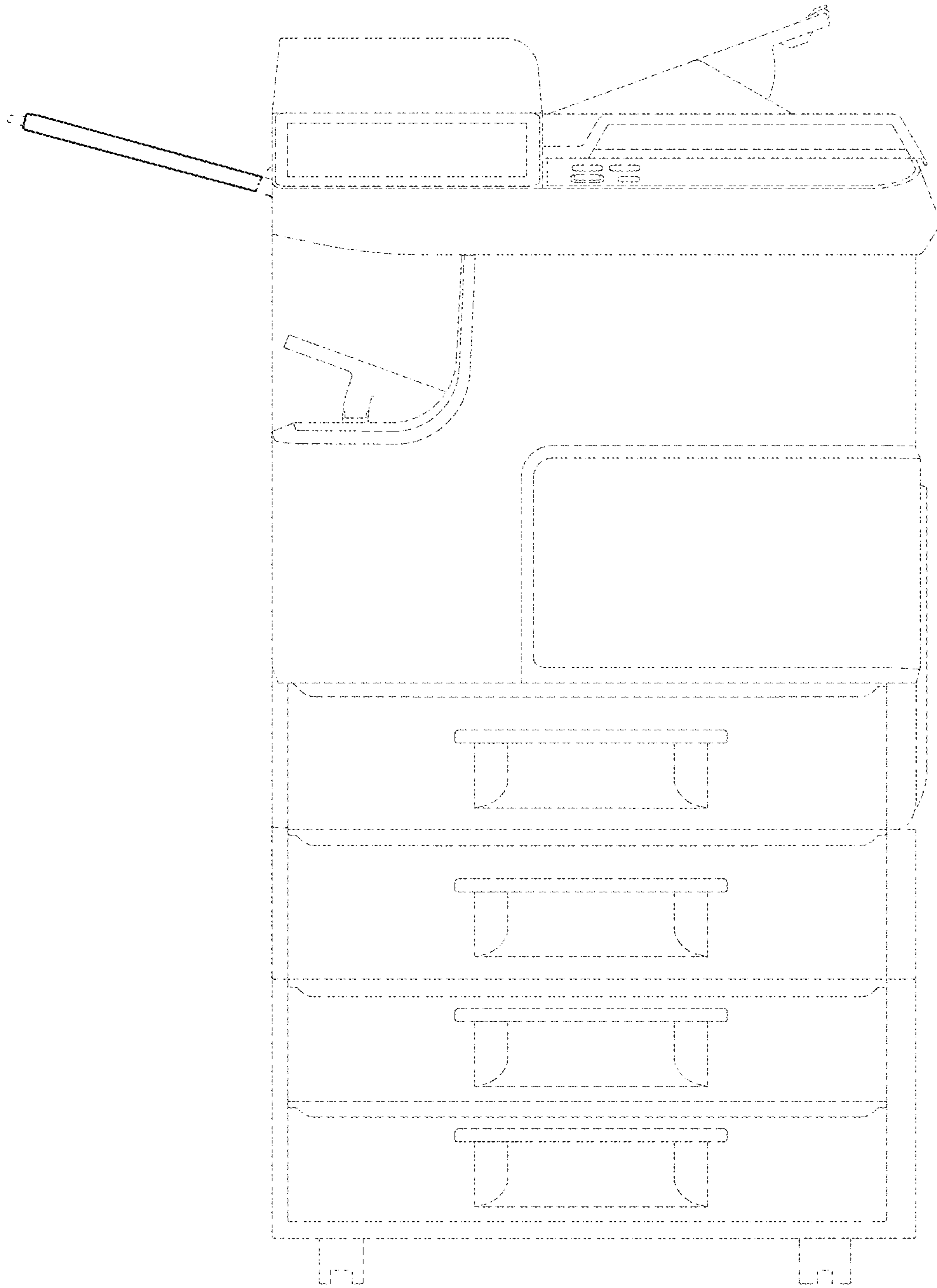


FIG. 3

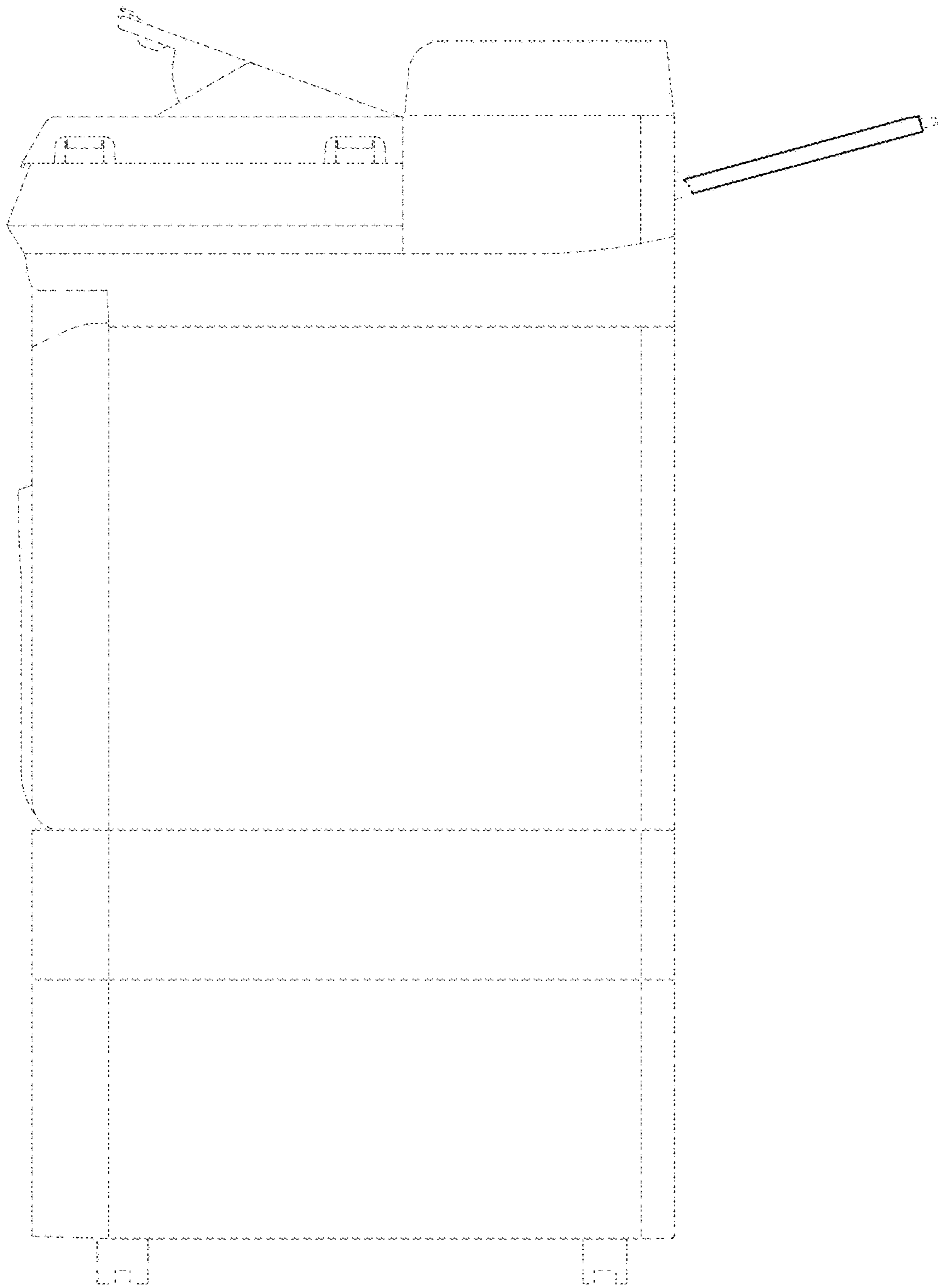


FIG. 4

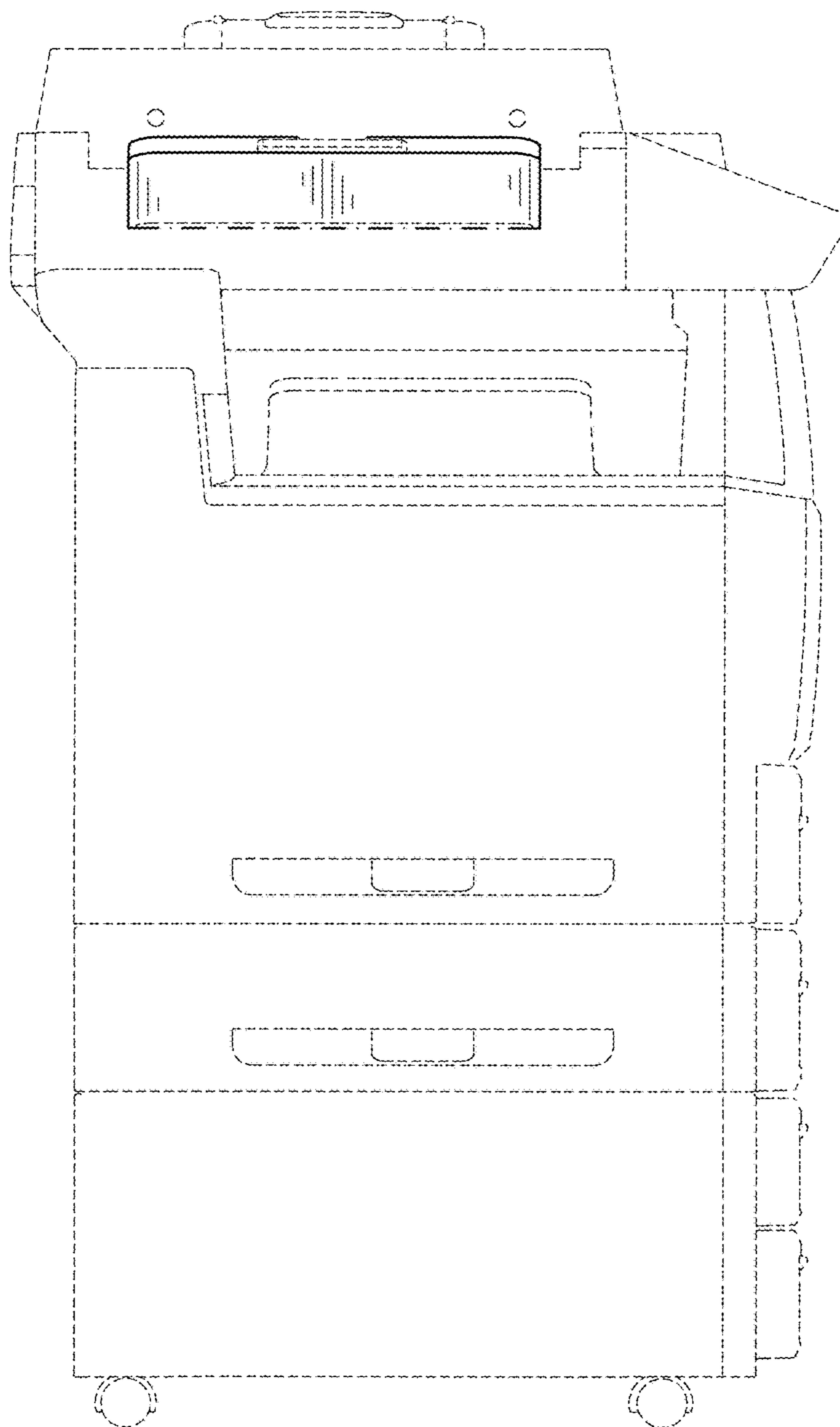


FIG. 5

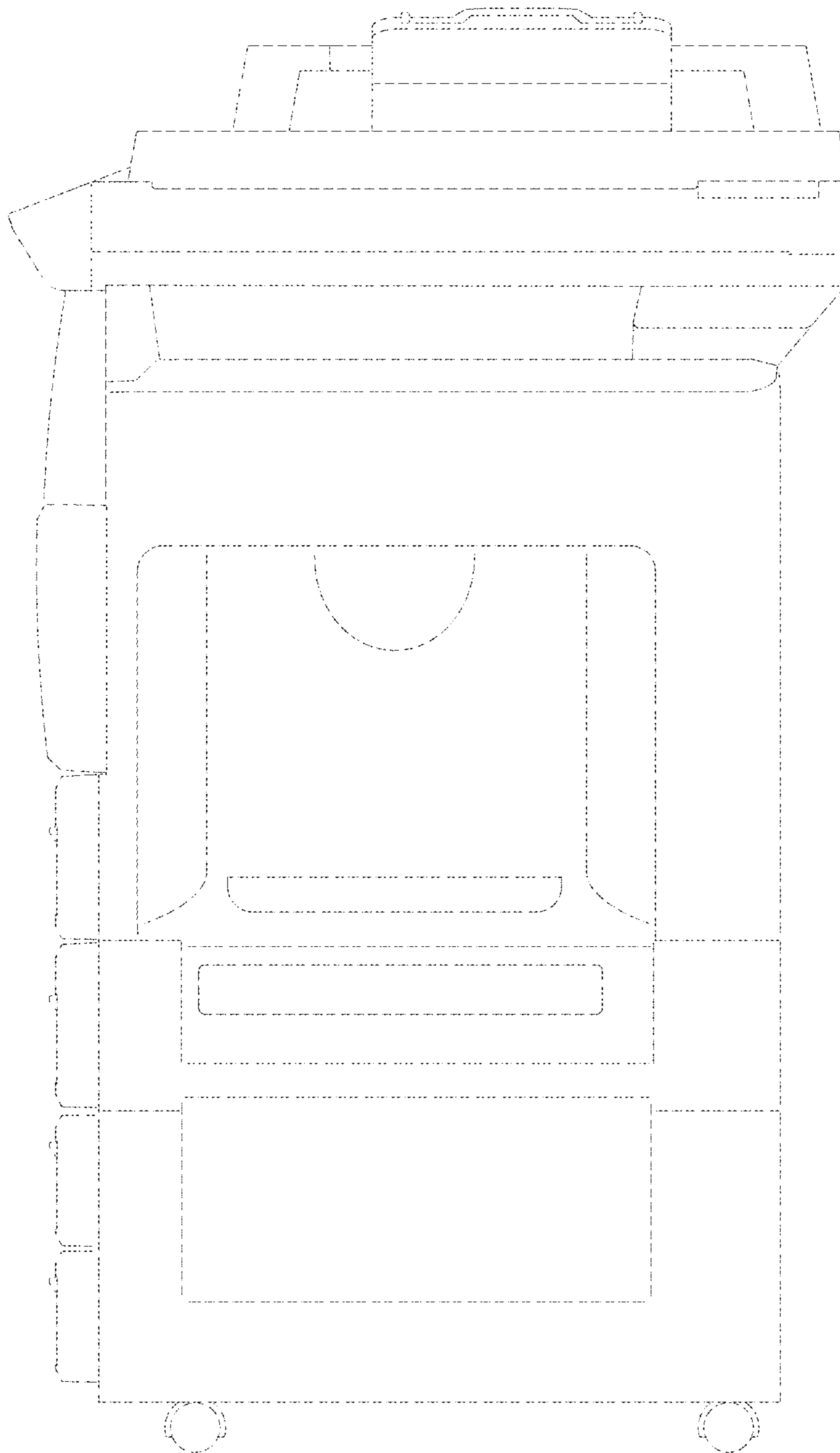


FIG. 6



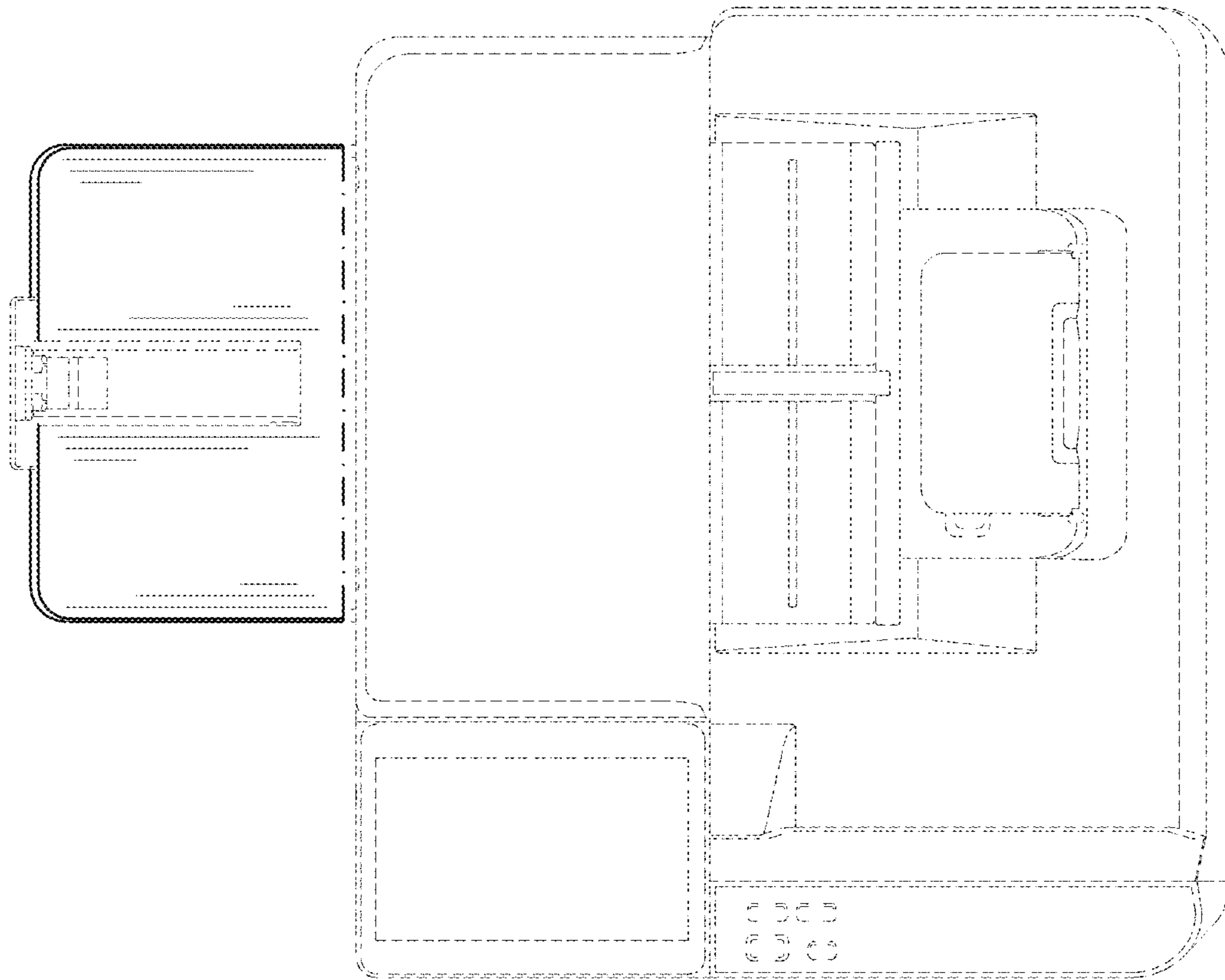


FIG. 7

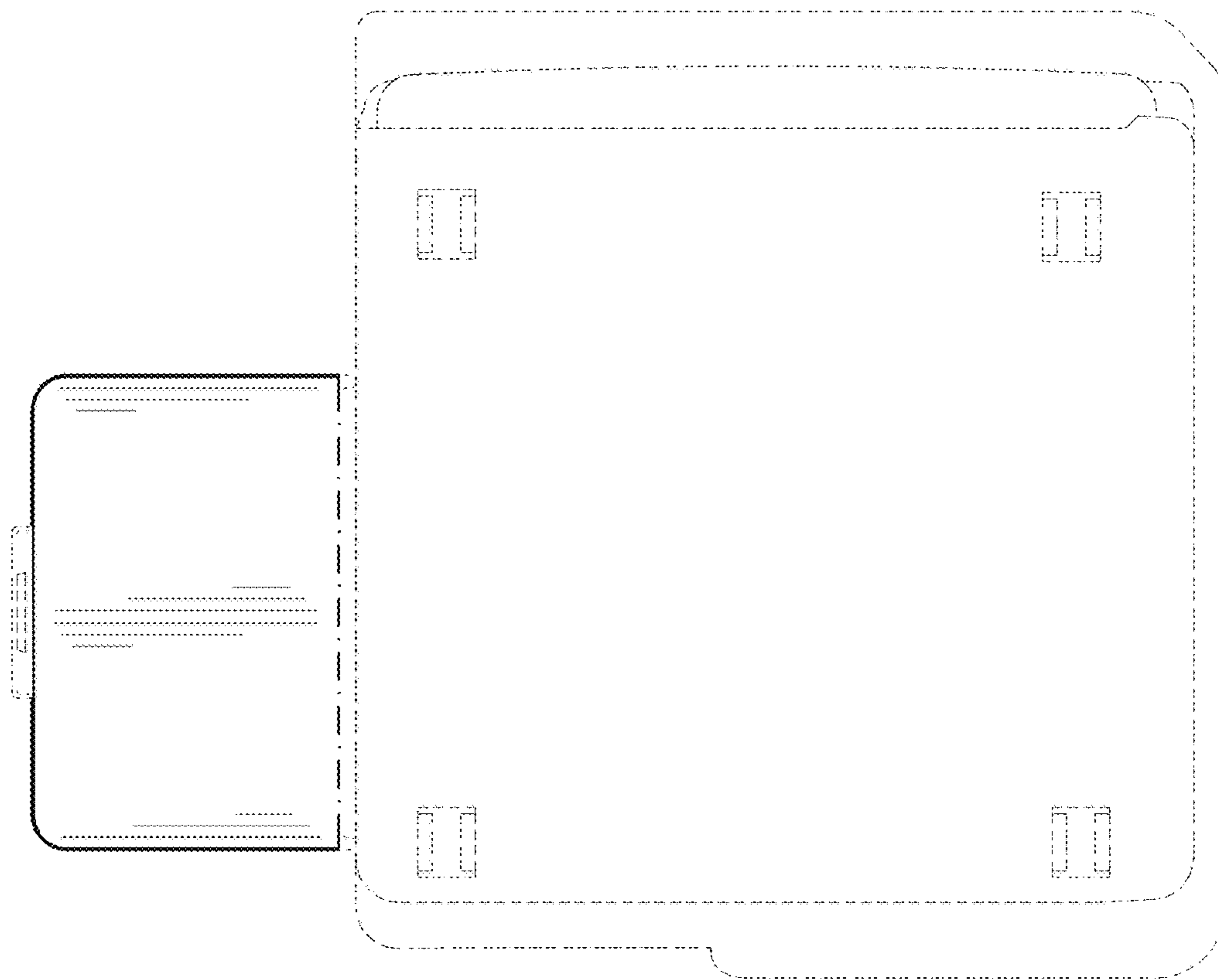


FIG. 8