



US00D797843S

(12) **United States Design Patent** (10) **Patent No.:** **US D797,843 S**
Roctus (45) **Date of Patent:** **** Sep. 19, 2017**

(54) **REMOVABLE CUTTING ASSEMBLY FOR A PRINTER**

(71) Applicant: **Sanford, L.P.**, Downers Grove, IL (US)
(72) Inventor: **Jerry Roctus**, Clinge (NL)
(73) Assignee: **Sanford, L.P.**, Downers Grove, IL (US)
(**) Term: **14 Years**

(21) Appl. No.: **29/517,300**
(22) Filed: **Feb. 11, 2015**
(51) **LOC (10) Cl.** **18-02**
(52) **U.S. Cl.**
USPC **D18/56**
(58) **Field of Classification Search**
USPC D18/12, 15, 18, 19, 34.1, 34.9, 40, 56,
D18/99; D13/110, 123, 133, 154, 173,
D13/199
CPC ... B41J 2/175; B41J 3/407; B41J 11/70; B41J
15/04; G06F 9/04; G06K 15/02; G06K
19/04; B26D 1/00; B26D 1/04; B26D
7/00
See application file for complete search history.

(56) **References Cited**

U.S. PATENT DOCUMENTS

D647,127 S * 10/2011 Mita D18/12
D677,322 S * 3/2013 Zindl D18/17
D701,560 S * 3/2014 Huotari D18/34.1
2007/0199422 A1* 8/2007 Kawaguchi B26D 1/0006
83/583
2011/0139065 A1* 6/2011 Kosuge B26D 7/02
118/37

OTHER PUBLICATIONS

How to replace the cutter blade assembly of the Brother TapeCreator, dated Feb. 3, 2015, [online], [site visited Apr. 15, 2016]. Available from Internet, <URL: <https://www.youtube.com/watch?v=Mt-d0J6ZzkU>>.*

* cited by examiner

Primary Examiner — Thomas Johannes
Assistant Examiner — Shawn T Gingrich
(74) *Attorney, Agent, or Firm* — Saidman DesignLaw Group, LLC

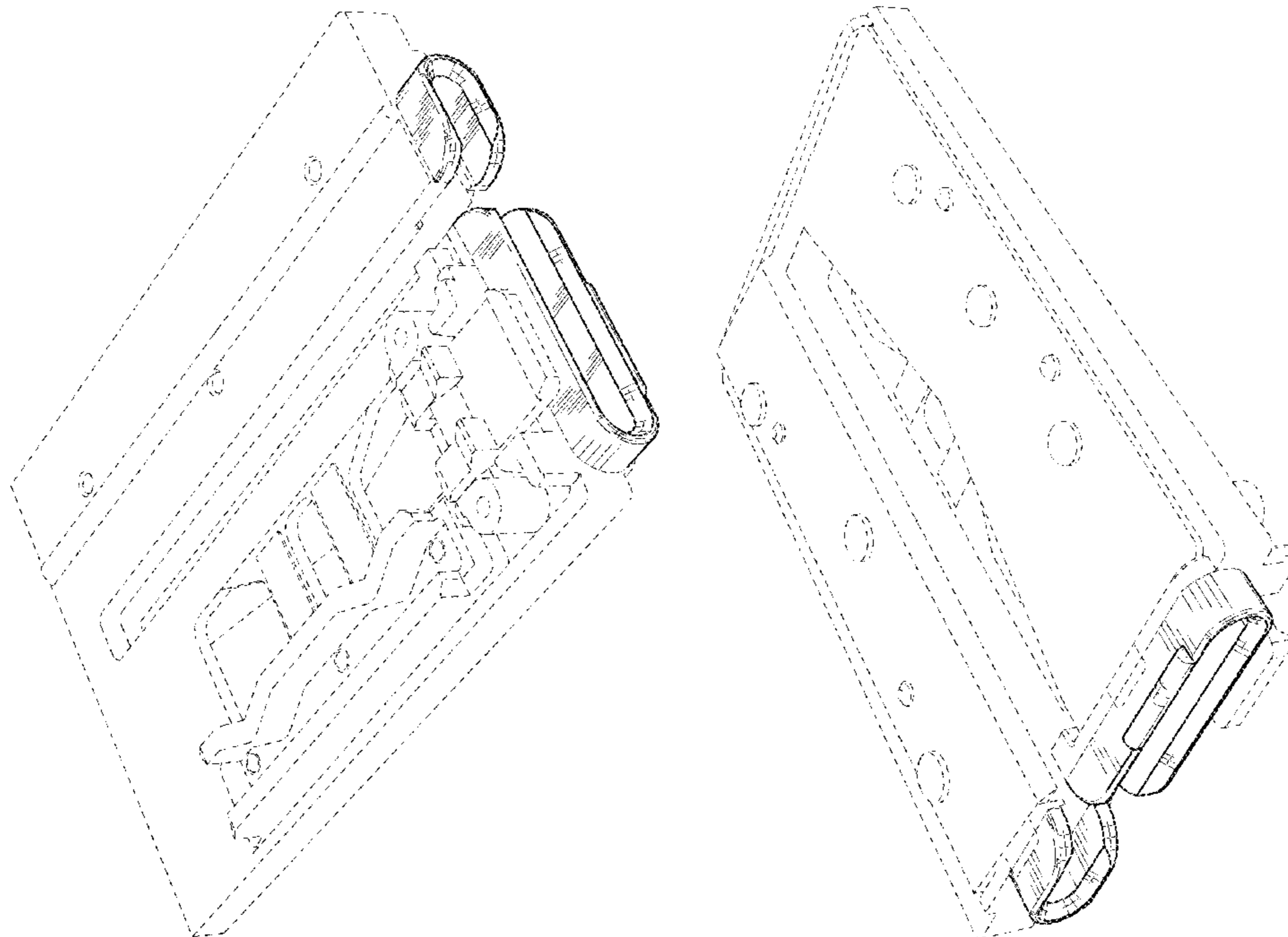
(57) **CLAIM**

The ornamental design for a “removable cutting assembly for a printer”, as shown and described.

DESCRIPTION

FIG. 1 is a front and right side perspective view of a removable cutting assembly for a printer, showing my new design;
FIG. 2 is a back and right side perspective view thereof;
FIG. 3 is a front elevational view thereof;
FIG. 4 is a back elevational view thereof;
FIG. 5 is a right side elevational view thereof;
FIG. 6 is a left side elevational view thereof;
FIG. 7 is a top side plan view thereof; and,
FIG. 8 is a bottom side plan view thereof.
The dot-dash lines represent boundaries of the claimed design and themselves form no part of the claim. The dashed lines show portions of the removable cutting assembly for a printer which form no part of the claimed design.

1 Claim, 8 Drawing Sheets



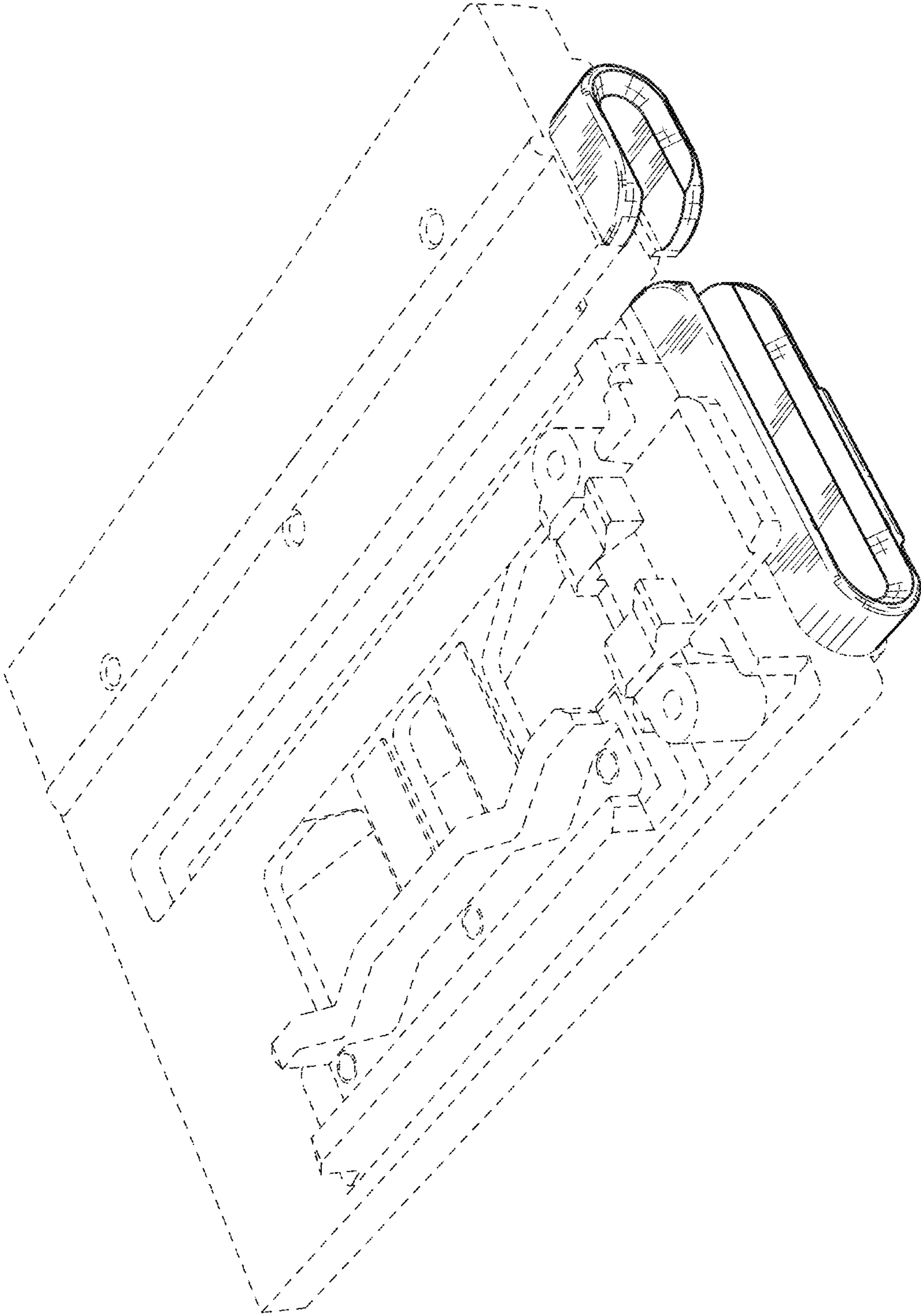


FIG. 1

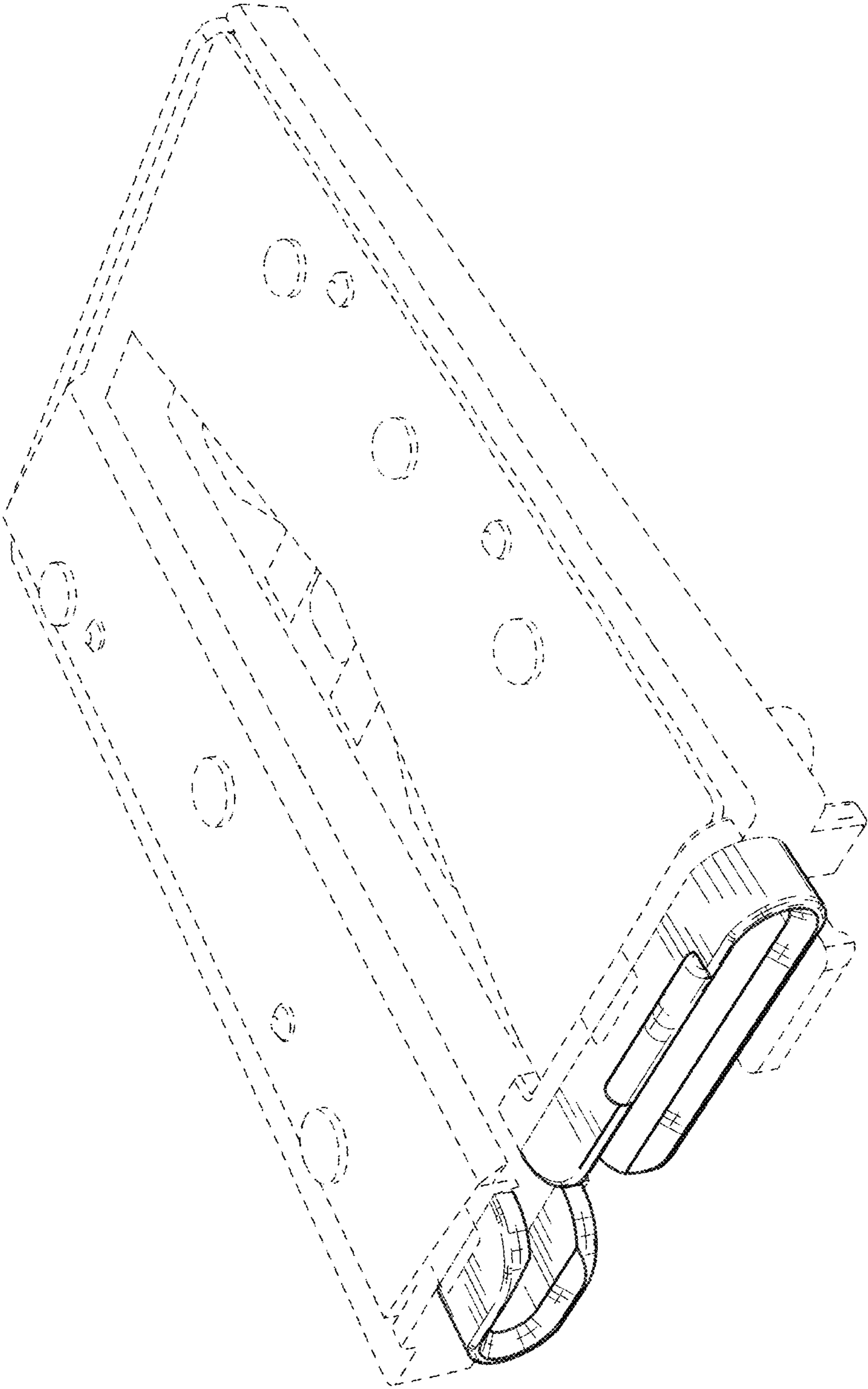


FIG. 2

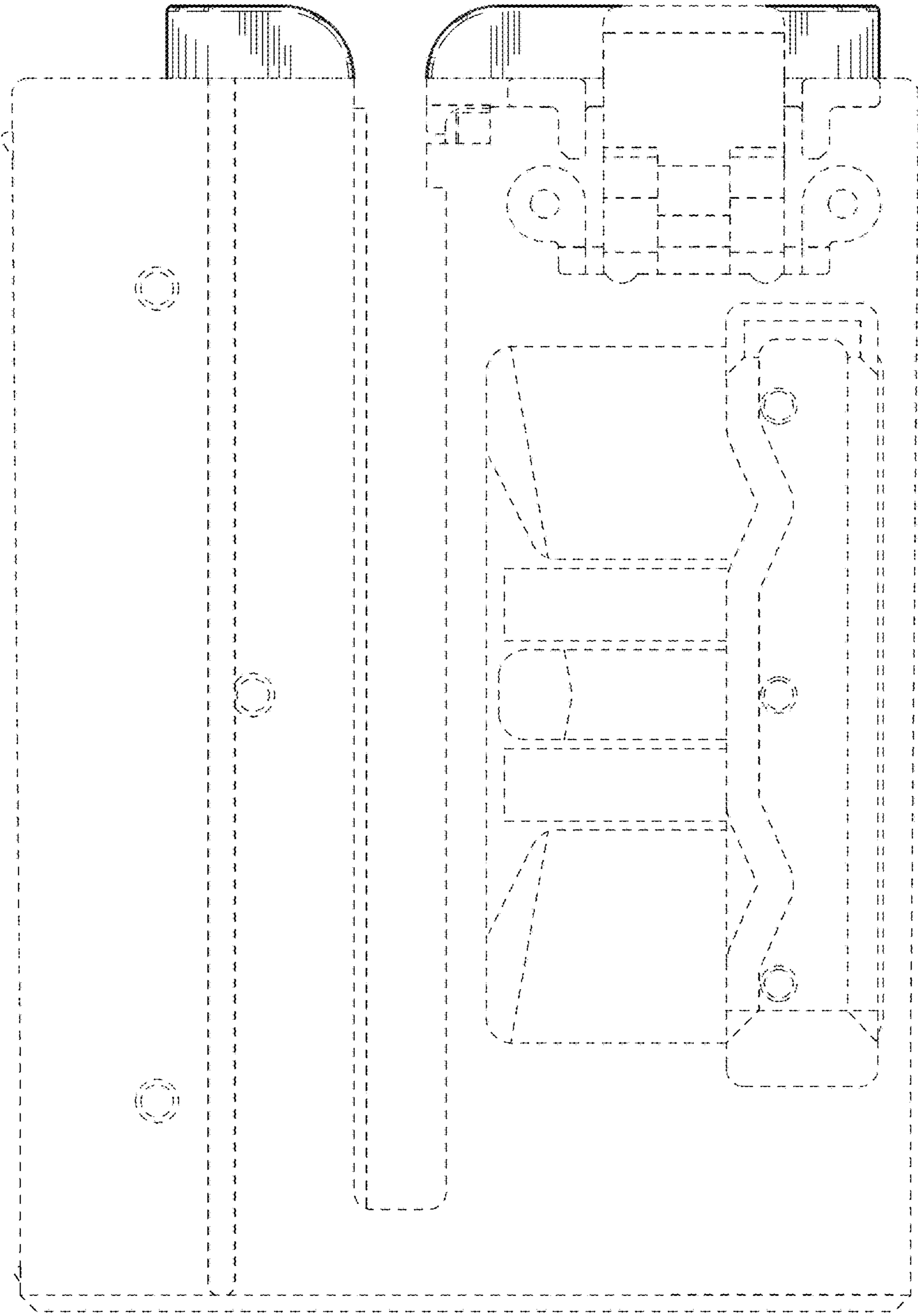


FIG. 3

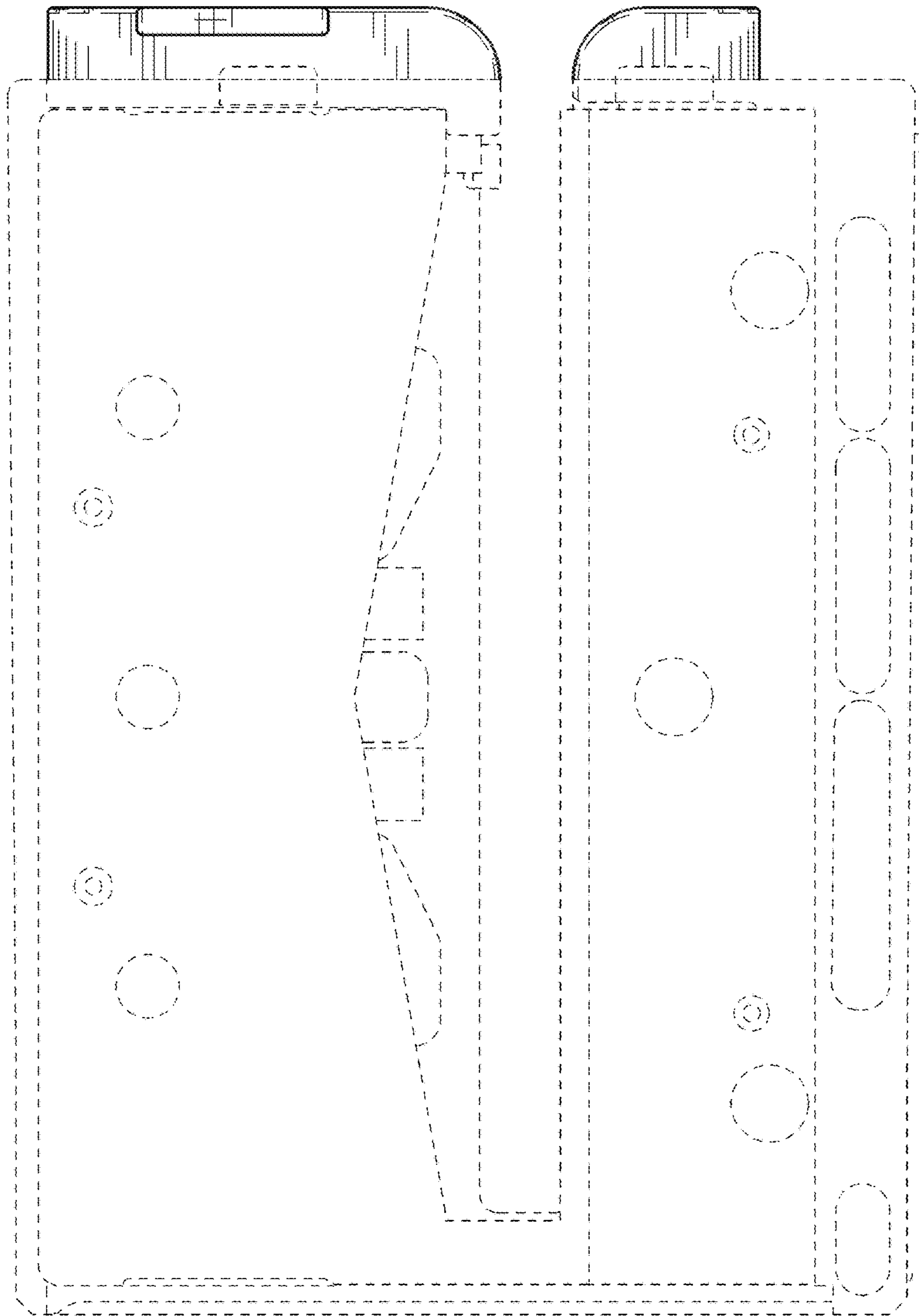


FIG. 4

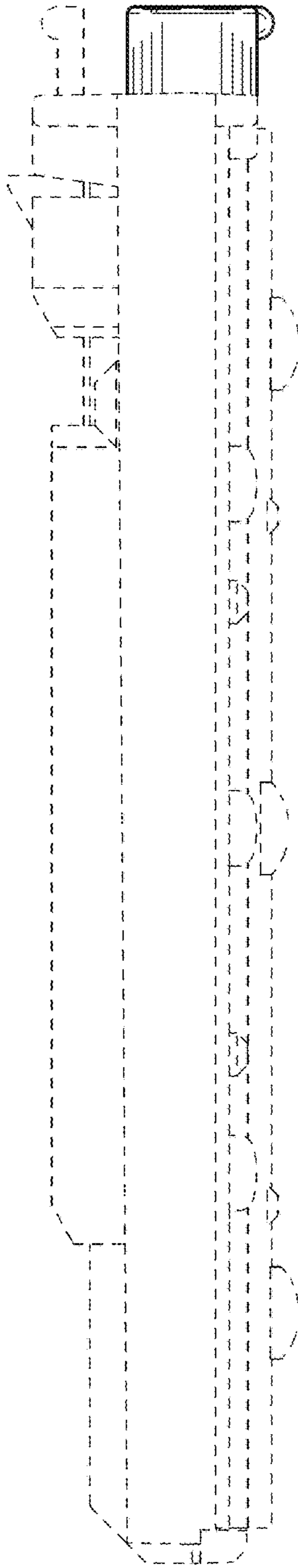


FIG. 5

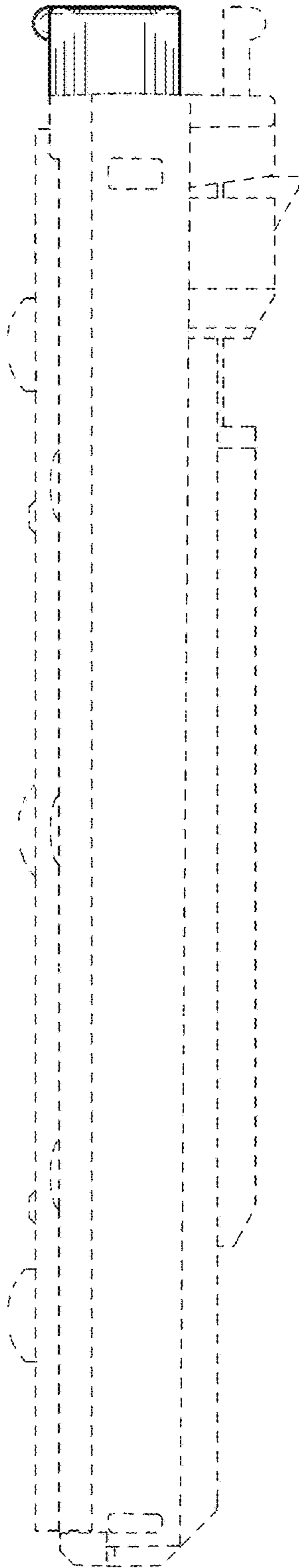


FIG. 6

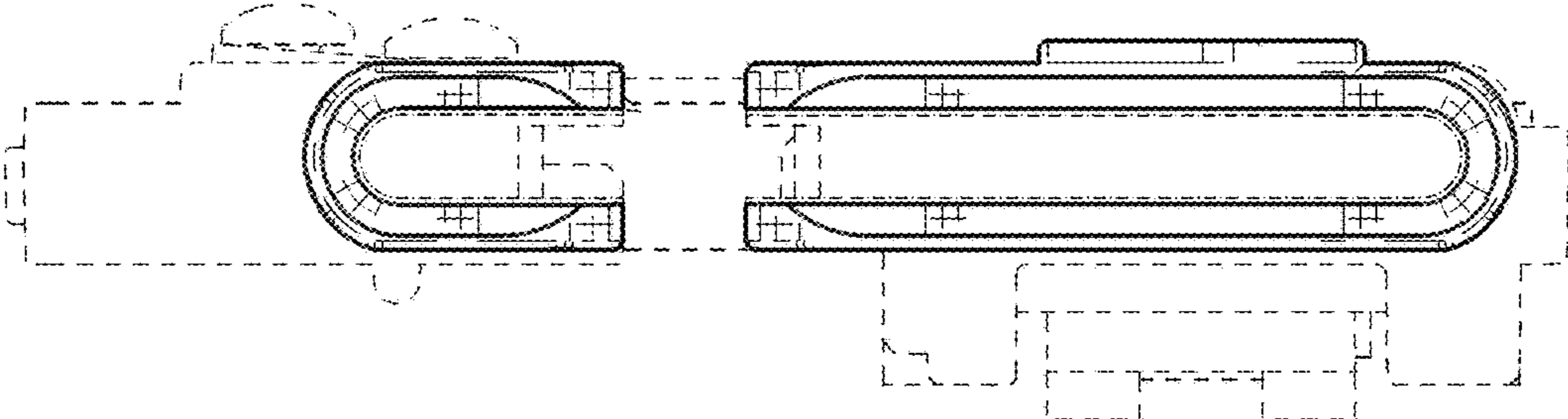


FIG. 7

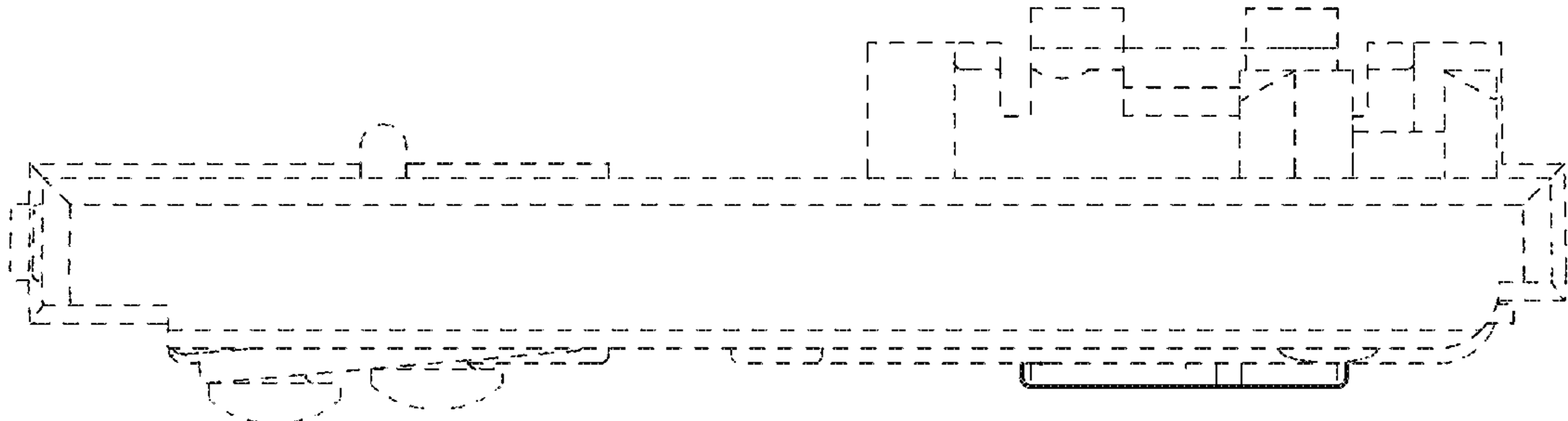


FIG. 8