



US00D797840S

(12) **United States Design Patent** (10) **Patent No.:** **US D797,840 S**
Lawing (45) **Date of Patent:** **** Sep. 19, 2017**

(54) **STRINGED INSTRUMENT PICKUP**
(71) Applicant: **LAWING MUSICAL PRODUCTS, LLC**, Newark, DE (US)
(72) Inventor: **Andrew Scott Lawing**, Newark, DE (US)
(**) Term: **15 Years**
(21) Appl. No.: **35/001,144**

4,534,258 A 8/1985 Anderson
4,535,668 A 8/1985 Schaller
D287,602 S 1/1987 Smith et al. D17/20
D319,456 S 8/1991 Fender D17/20
5,111,728 A 5/1992 Blucher et al.
5,252,777 A * 10/1993 Allen G10H 3/181
84/726
5,290,968 A 3/1994 Mirigliano
D351,852 S 10/1994 Beller D17/20
D354,507 S 1/1995 Lace D17/20
D355,207 S 2/1995 Beller D17/20
5,389,731 A 2/1995 Lace
(Continued)

(22) Filed: **Jan. 17, 2016**

(80) **Hague Agreement Data**

Int. Filing Date: **Jan. 17, 2016**
Int. Reg. No.: **DM/090636**
Int. Reg. Date: **Jan. 17, 2016**
Int. Reg. Pub. Date: **Jul. 22, 2016**

(51) **LOC (10) Cl.** **17-03**

(52) **U.S. Cl.**
USPC **D17/20**
CPC **G10H 3/18** (2013.01)

(58) **Field of Classification Search**
USPC D17/7-8, 10, 13-27; 84/726-728
CPC .. G10H 2220/515; G10H 3/182; G10H 3/186;
G10H 2220/505; G10H 3/18; G10H
3/181
See application file for complete search history.

(56) **References Cited**

U.S. PATENT DOCUMENTS

D188,348 S 7/1960 Berglund D56/1
3,962,946 A * 6/1976 Rickard G01V 3/107
84/726
3,983,778 A 10/1976 Bartolini
4,133,243 A 1/1979 DiMarzio
4,442,749 A 4/1984 DiMarzio
4,463,648 A 8/1984 Fender
4,501,185 A * 2/1985 Blucher G10H 3/182
84/728
D279,380 S 6/1985 Stich D17/20

OTHER PUBLICATIONS

Webpage showing Fender_Stratocaster_Pickups, Author unknown, 7 pages.

(Continued)

Primary Examiner — Richard E Chilcot
(74) *Attorney, Agent, or Firm* — The Patent Source

(57) **CLAIM**

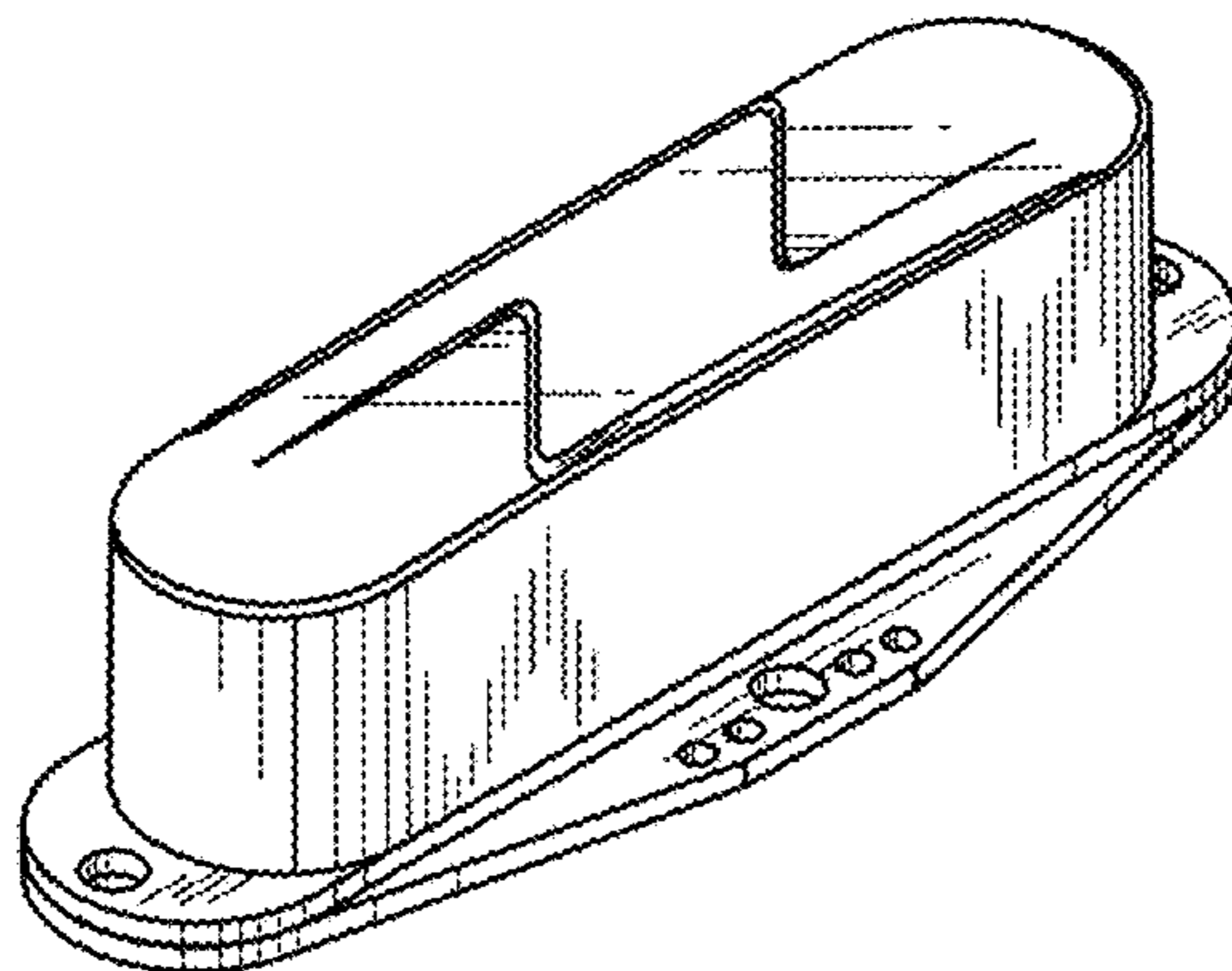
The ornamental design for a stringed instrument pickup, as shown and described.

DESCRIPTION

- 1. Stringed instrument pickup
- 1.1 : Perspective
- 1.2 : Left
- 1.3 : Right
- 1.4 : Top
- 1.5 : Bottom
- 1.6 : Front
- 1.7 : Back

Figure 1 is a top perspective view of my design for a stringed instrument pickup; figure 2 is a left side elevation view thereof; figure 3 is a right side elevation view thereof; figure 4 is a top plan view thereof; figure 5 is a bottom plan view thereof; figure 6 is a front elevation view thereof; and figure 7 is a back elevation view thereof.

1 Claim, 7 Drawing Sheets



(56)

References Cited

U.S. PATENT DOCUMENTS

5,525,750 A * 6/1996 Beller G10H 3/182
84/726
D381,355 S 7/1997 Frank-Braun D17/20
5,668,520 A 9/1997 Kinman
5,811,710 A 9/1998 Blucher et al. 84/728
5,834,999 A * 11/1998 Kinman G10H 3/181
336/84 R
5,854,437 A * 12/1998 Merrick G10G 7/02
84/454
D405,459 S * 2/1999 Riboloff D17/20
5,908,998 A * 6/1999 Blucher G10H 3/181
84/723
5,949,014 A * 9/1999 Rashak G10H 3/181
84/723
6,103,966 A 8/2000 Kinman 84/728
6,525,258 B1 * 2/2003 Powers G10H 3/182
84/728
D520,048 S 5/2006 Krozack et al. D17/20
7,612,282 B1 11/2009 Lawing 84/726
7,994,413 B2 * 8/2011 Salo G10H 3/181
84/726
D650,004 S * 12/2011 Lawing D17/20
D737,891 S * 9/2015 Naylor D17/20
2002/0069749 A1 6/2002 Hoover et al. 84/738
2002/0083819 A1 * 7/2002 Kinman G10H 3/181
84/726

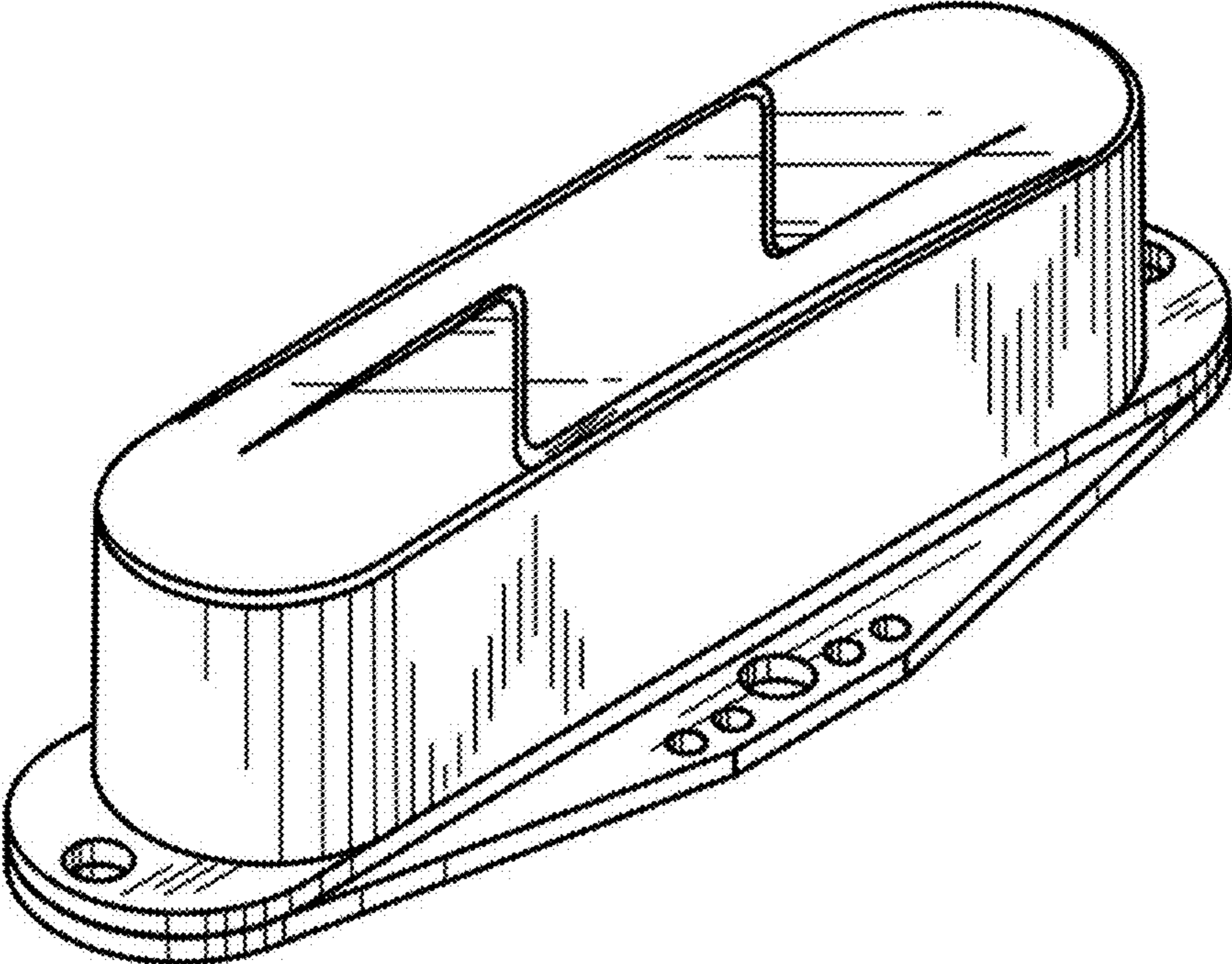
2004/0003709 A1 1/2004 Kinman 84/728
2012/0103170 A1 * 5/2012 Kinman G10H 3/181
84/726
2014/0202319 A1 * 7/2014 Osborne G10H 3/181
84/728

OTHER PUBLICATIONS

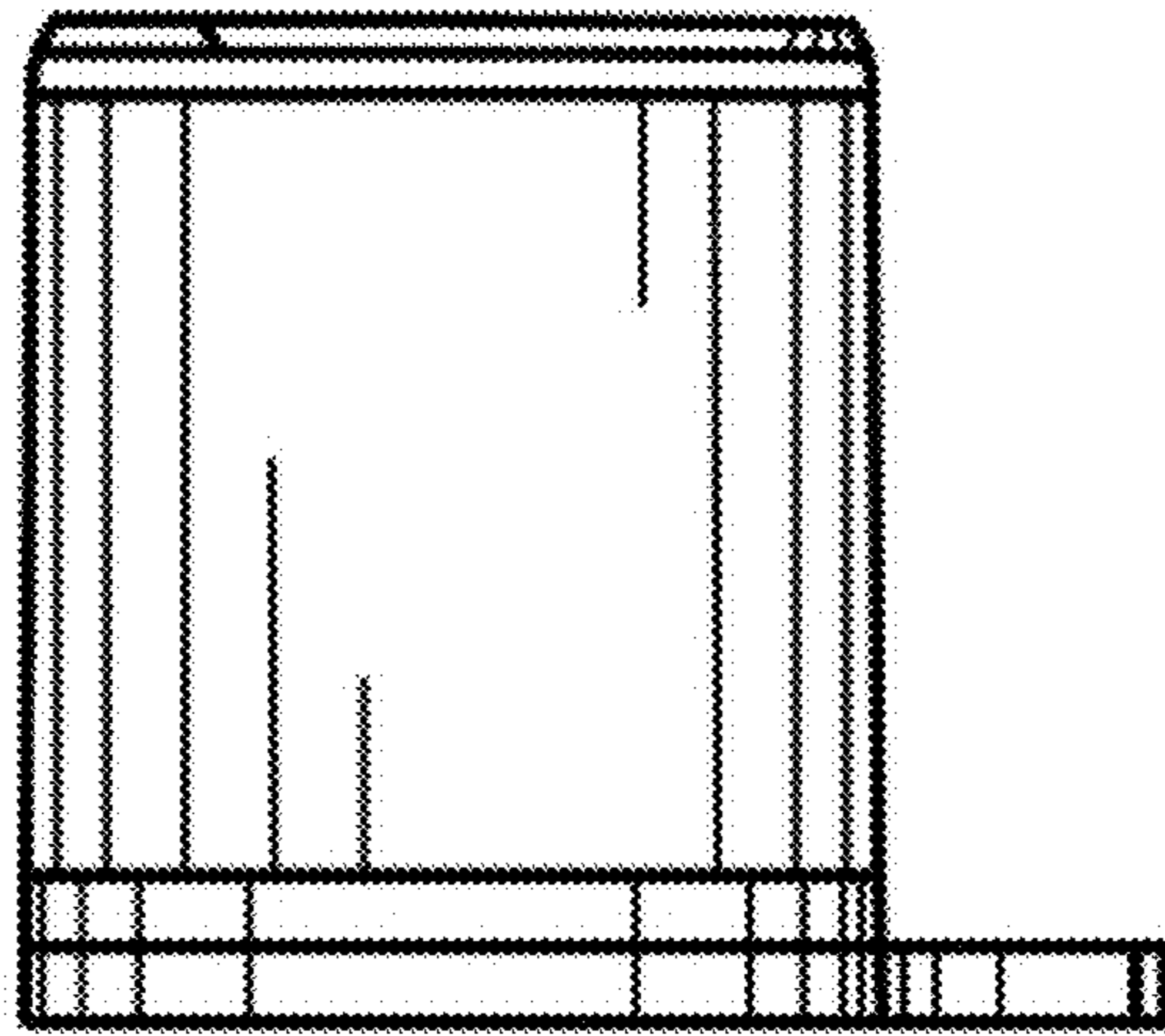
Webpage showing Fender_Super_55_Pickups, Author unknown, 5 pages.
Webpage showing Fender_Tele_Pickups, Author unknown, 4 pages.
Webpage showing Fishman_Fluence_Pickups, Author unknown, 7 pages.
Webpage showing Fralin6_Split-Blade_Pickups, Author unknown, 3 pages.
Webpage showing Lace_Sensor_Pickups, Author unknown, 5 pages.
Webpage showing Nordstrand_Shush_Puppy_Pickups, Author unknown, 1 page.
Webpage showing Zexcoil_Pickups, Author unknown, 2 pages.
Mario Milan, Pickups: Windings and Magnets . . . and the Guitar Became Electric; 2007 Centerstream Publishing, copyright page and pp. 31, 46, 49, 55, 58, 70.
Premier Guitar, Aug. 2011, pp. 6, 10 and 177, including Lindy Fraiin Pickup advertisement depicting prior art pickups.

* cited by examiner

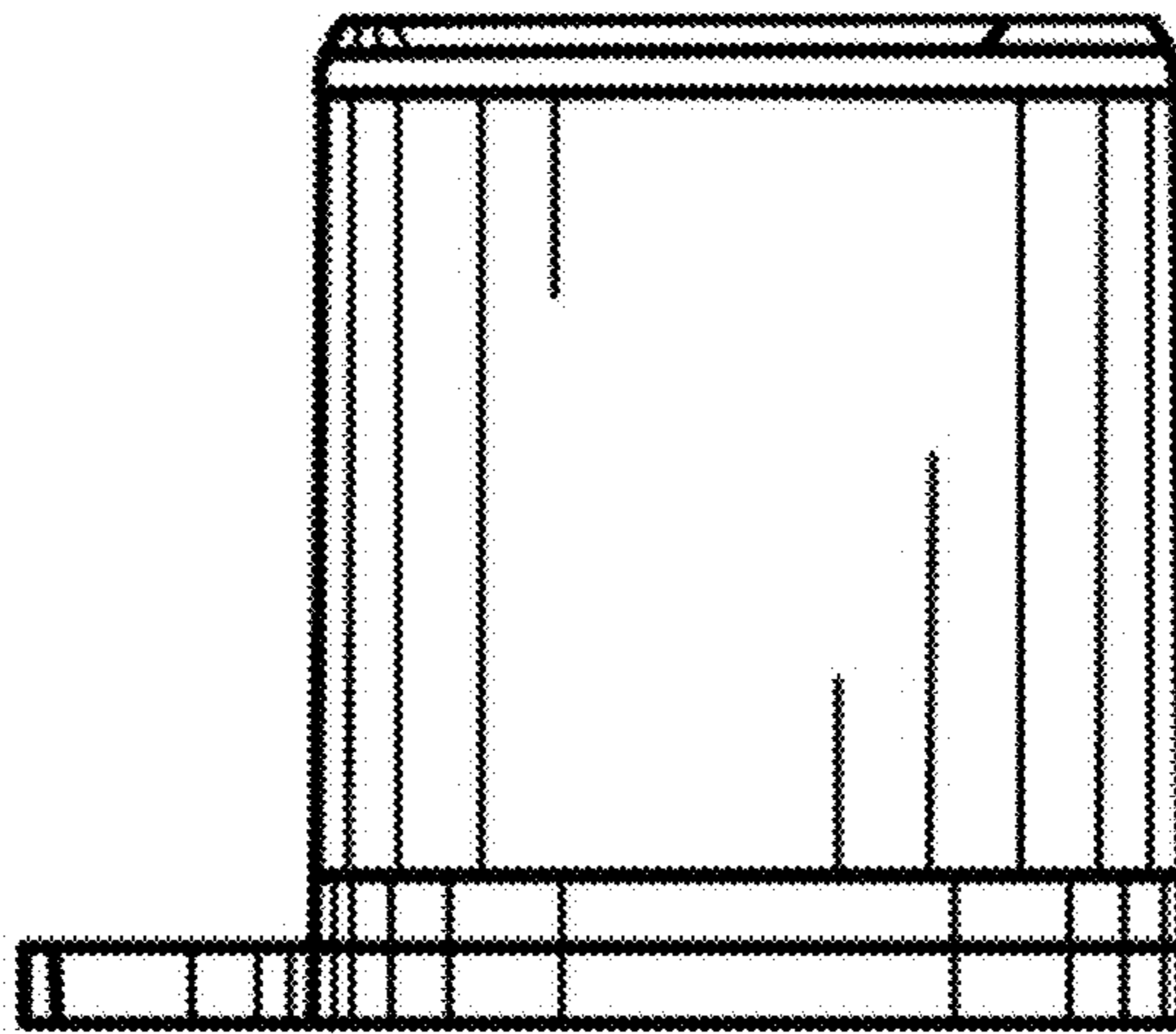
1.1



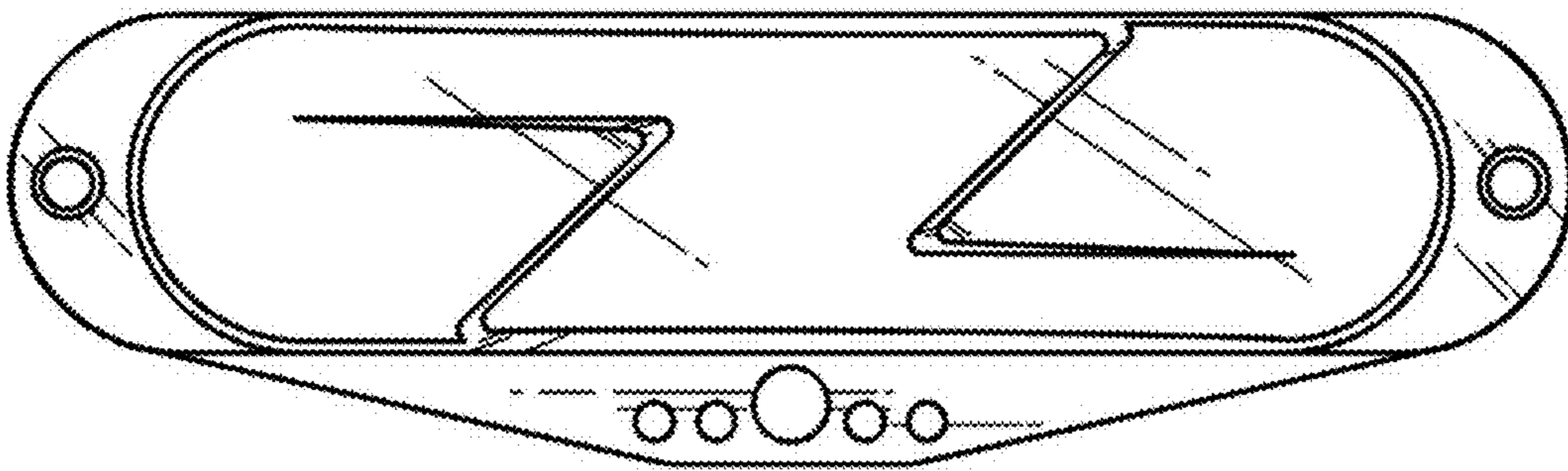
1.2



1.3



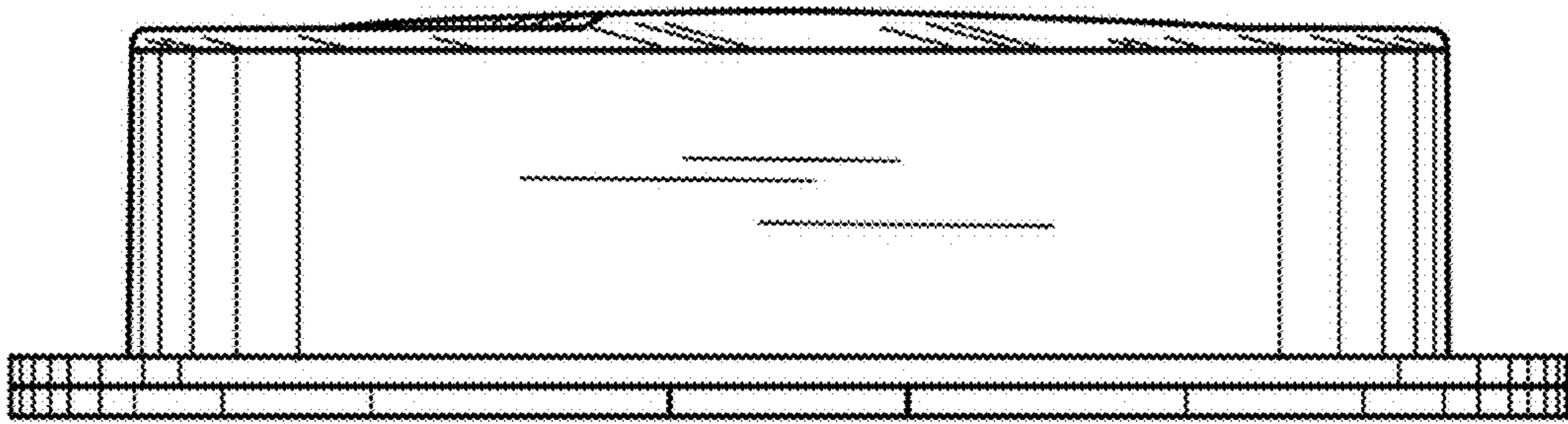
1.4



1.5



1.6



1.7

