



US00D797836S

(12) **United States Design Patent**
Li

(10) **Patent No.:** **US D797,836 S**

(45) **Date of Patent:** **** Sep. 19, 2017**

(54) **PORTABLE CAMERA**

(71) Applicant: **Getac Technology Corporation,**
Hsinchu County (TW)

(72) Inventor: **Chun-Hsing Li,** Taipei (TW)

(73) Assignee: **GETAC TECHNOLOGY**
CORPORATION, Hsinchu County
(TW)

(**) Term: **15 Years**

(21) Appl. No.: **29/571,054**

(22) Filed: **Jul. 14, 2016**

(51) **LOC (10) Cl.** **16-01**

(52) **U.S. Cl.**
USPC **D16/218**

(58) **Field of Classification Search**
USPC D16/200, 202–208, 210, 218, 219;
D21/514; 348/373–376; 396/448, 535,
396/539–541

CPC G03B 15/03; G03B 17/02; G03B 17/04;
G03B 17/56; G03B 19/04; H04N 5/2251;
H04N 5/2252; H04N 5/2253; H04N
5/2254; H04N 2101/00

See application file for complete search history.

(56) **References Cited**

U.S. PATENT DOCUMENTS

| | | | | |
|--------------|--------|--------|-------|---------|
| D537,094 S * | 2/2007 | Lee | | D16/200 |
| D616,901 S * | 6/2010 | Ward | | D14/507 |
| D617,821 S * | 6/2010 | Kaplan | | D16/202 |
| D630,236 S * | 1/2011 | Lian | | D16/203 |
| D633,930 S * | 3/2011 | Dinger | | D16/202 |

| | | | | |
|-------------------|---------|-----------|-------|------------------------|
| D638,458 S * | 5/2011 | Miyamori | | D16/202 |
| D641,771 S * | 7/2011 | Sasaki | | D16/202 |
| D651,632 S * | 1/2012 | Kim | | D16/202 |
| D692,473 S * | 10/2013 | Kawaguchi | | D16/202 |
| D729,295 S * | 5/2015 | Onruang | | D16/202 |
| D755,271 S * | 5/2016 | Patulski | | D16/202 |
| 2013/0038728 A1 * | 2/2013 | Kim | | H04N 5/2256 348/143 |
| 2014/0160349 A1 * | 6/2014 | Huang | | H04N 5/2252 348/375 |

* cited by examiner

Primary Examiner — Philip S Hyder

Assistant Examiner — Ramzi Almatrahi

(74) *Attorney, Agent, or Firm* — Locke Lord LLP; Tim
Tingkang Xia, Esq.

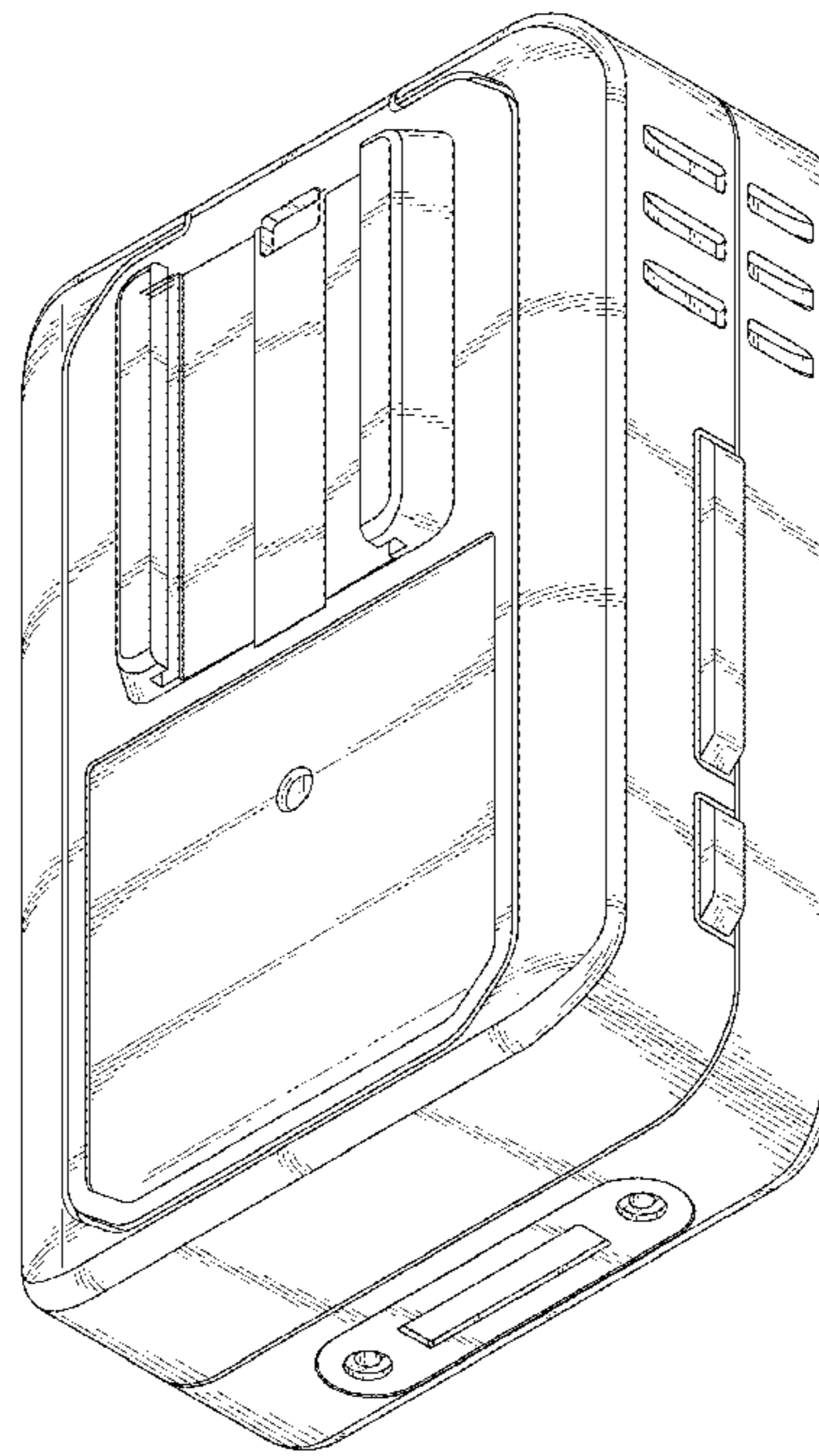
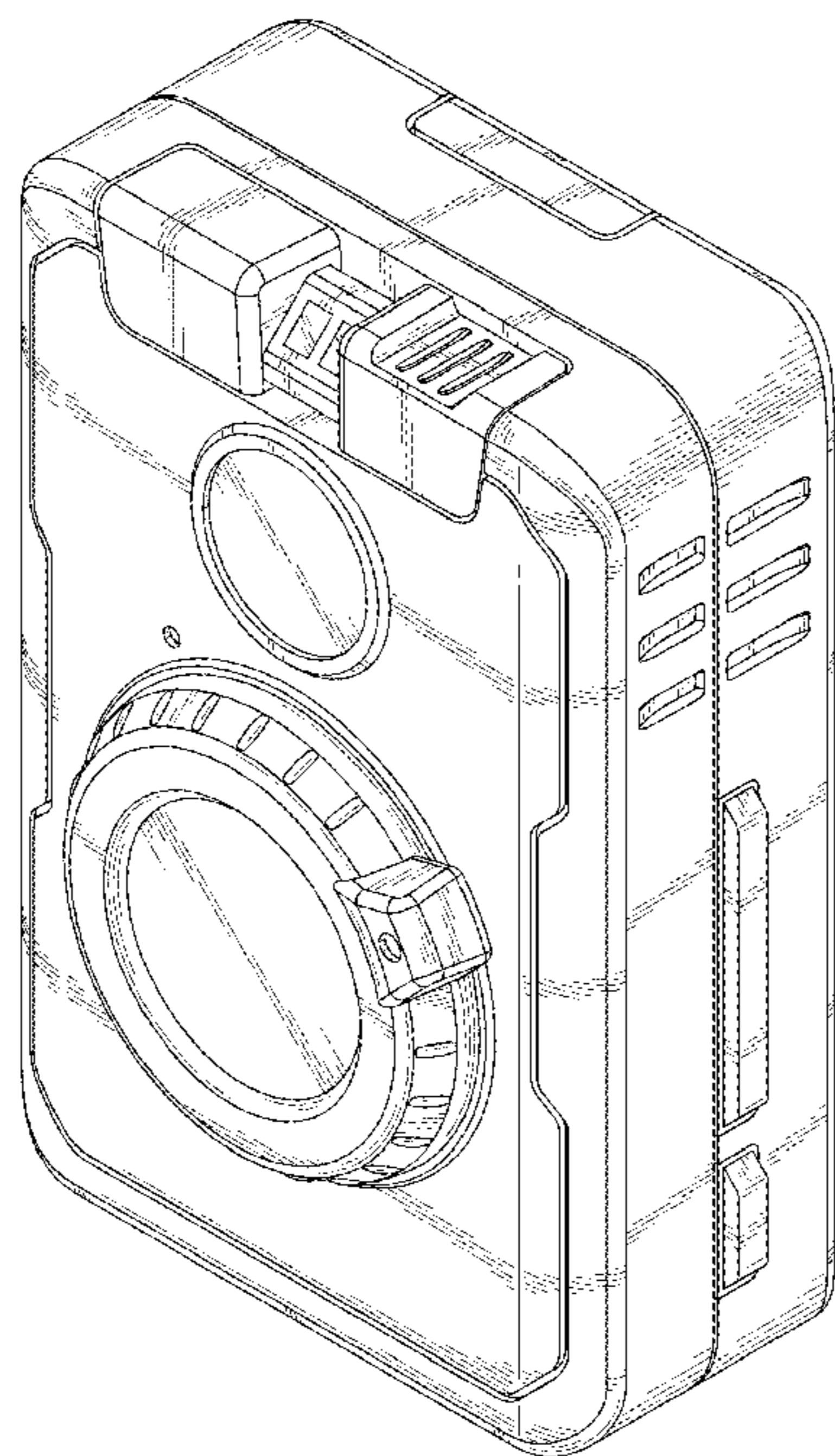
(57) **CLAIM**

The ornamental design for a portable camera, as shown and described.

DESCRIPTION

FIG. 1 is a top, front and right side perspective view of a portable camera according to my new design;
FIG. 2 is a bottom, rear and left side perspective view thereof;
FIG. 3 is a front view thereof;
FIG. 4 is a rear view thereof;
FIG. 5 is a left side view thereof;
FIG. 6 is a right side view thereof;
FIG. 7 is a top view thereof; and,
FIG. 8 is a bottom view thereof.

1 Claim, 7 Drawing Sheets



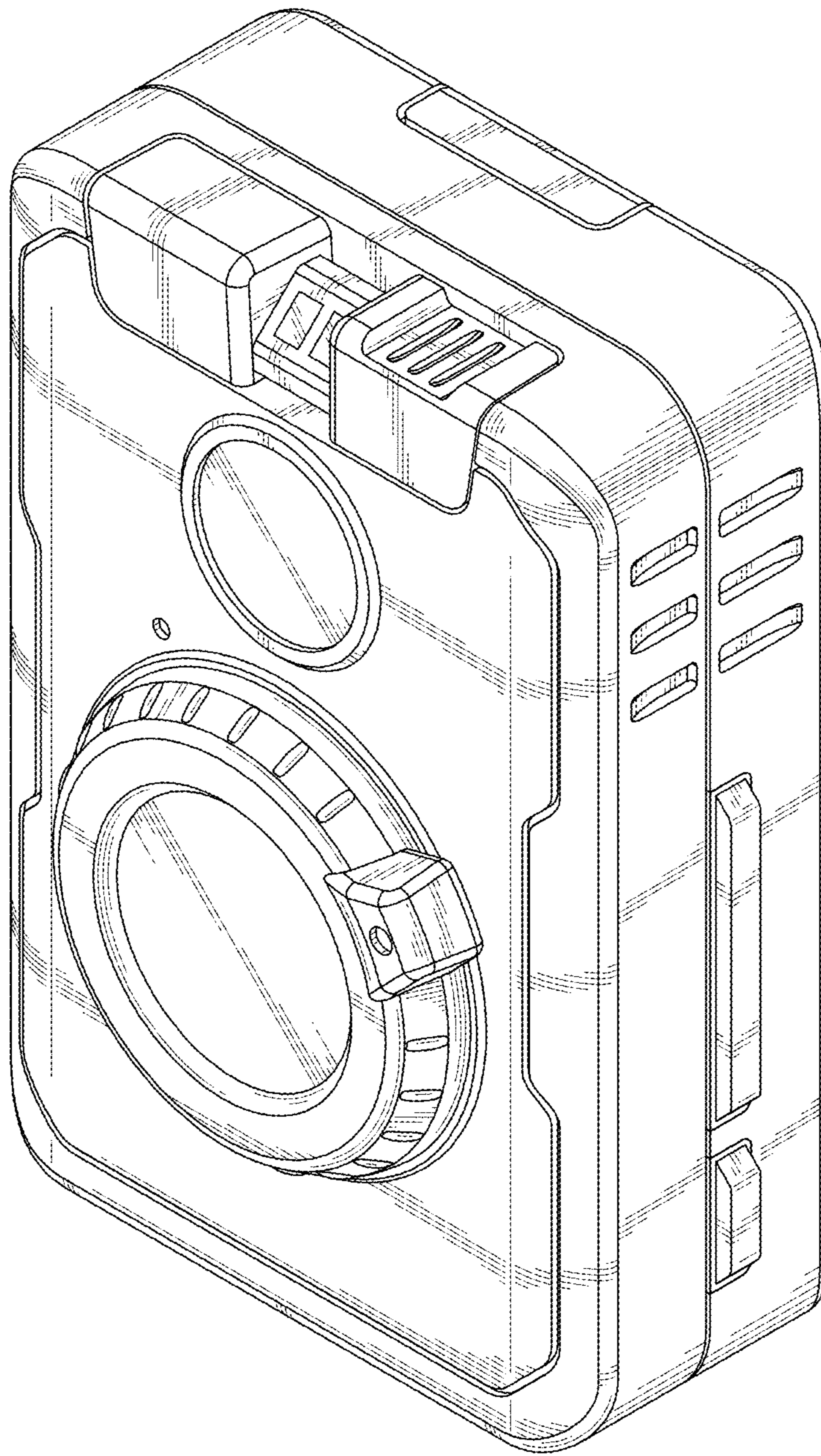


FIG. 1

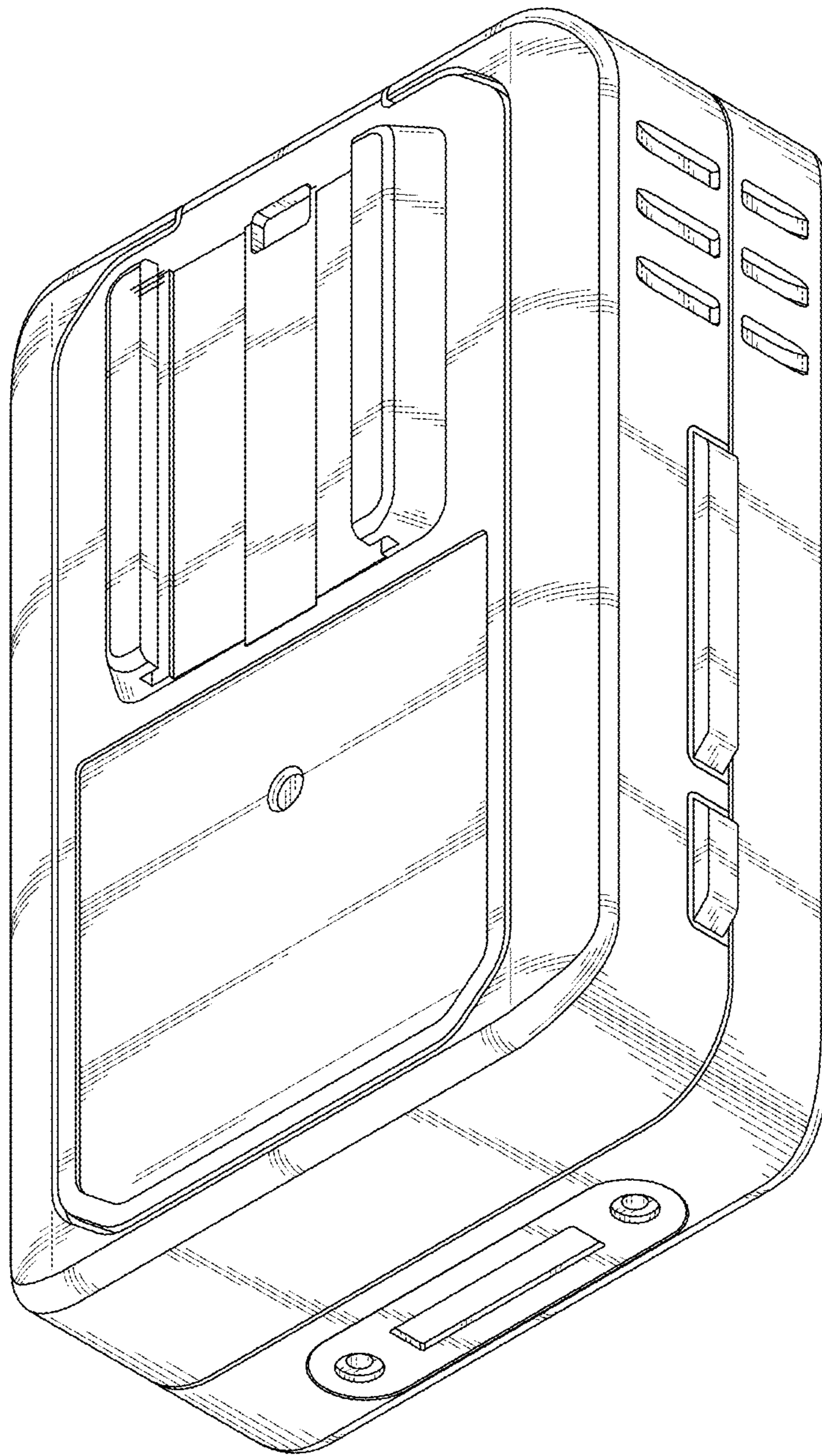


FIG. 2

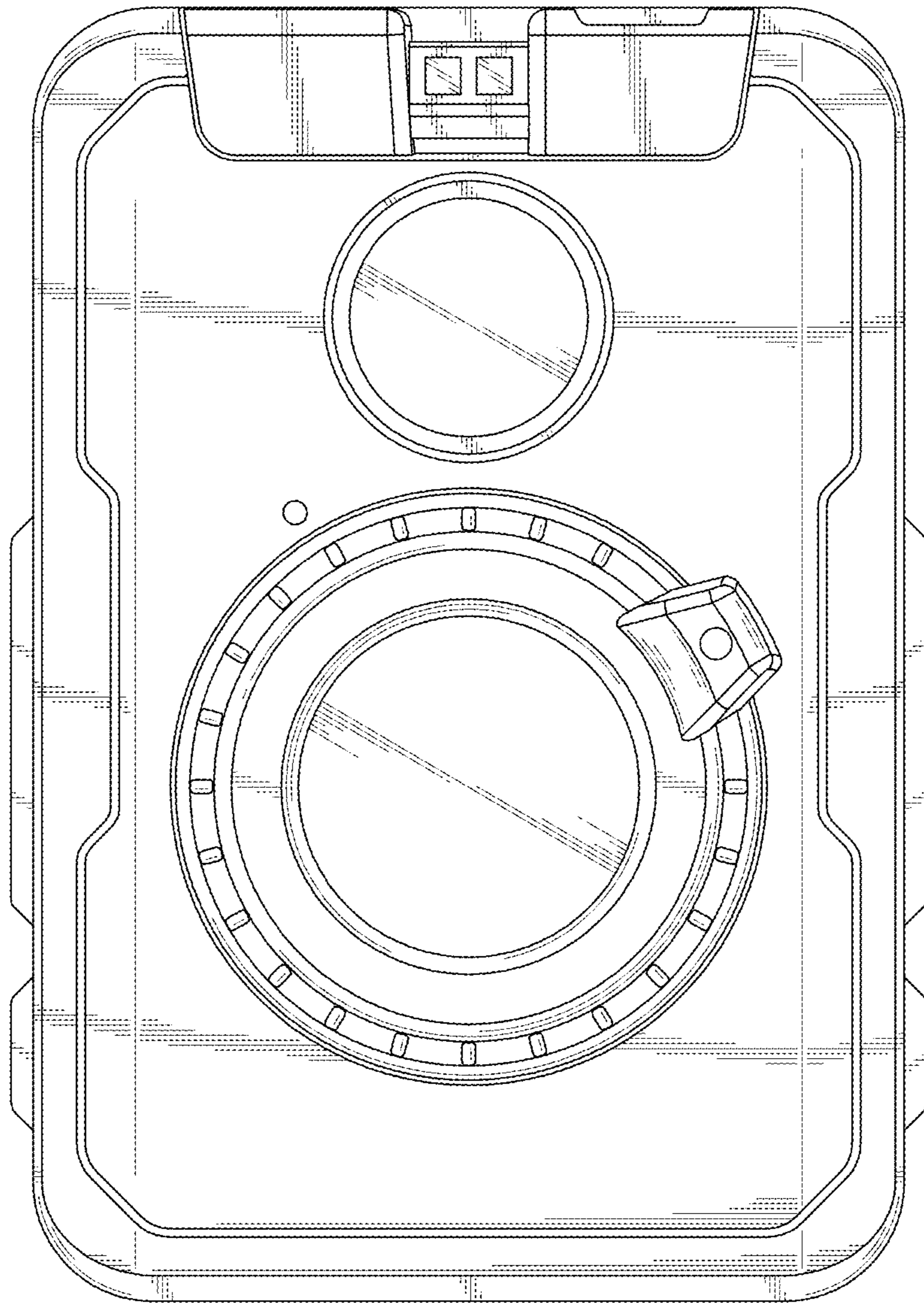


FIG. 3

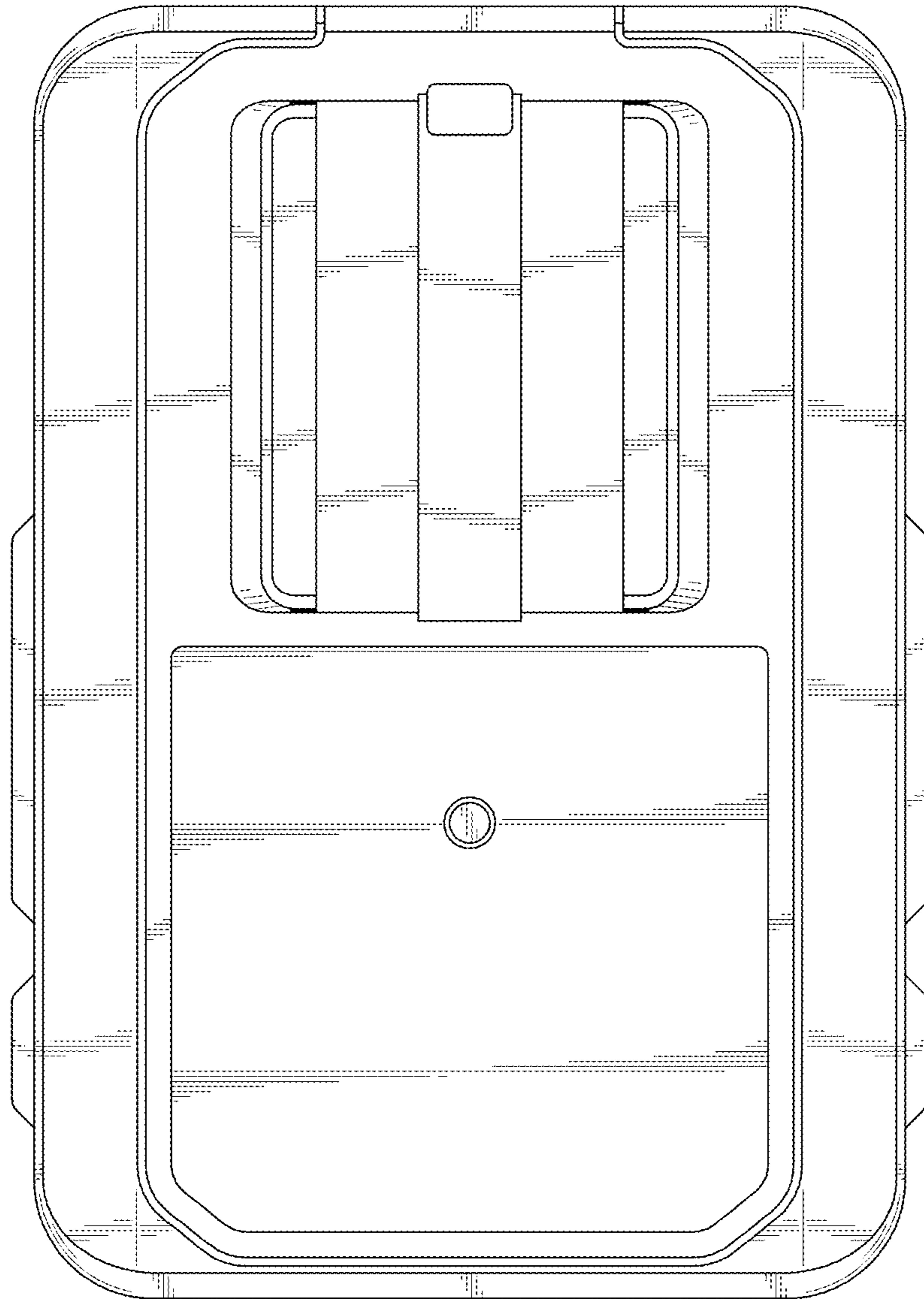


FIG. 4

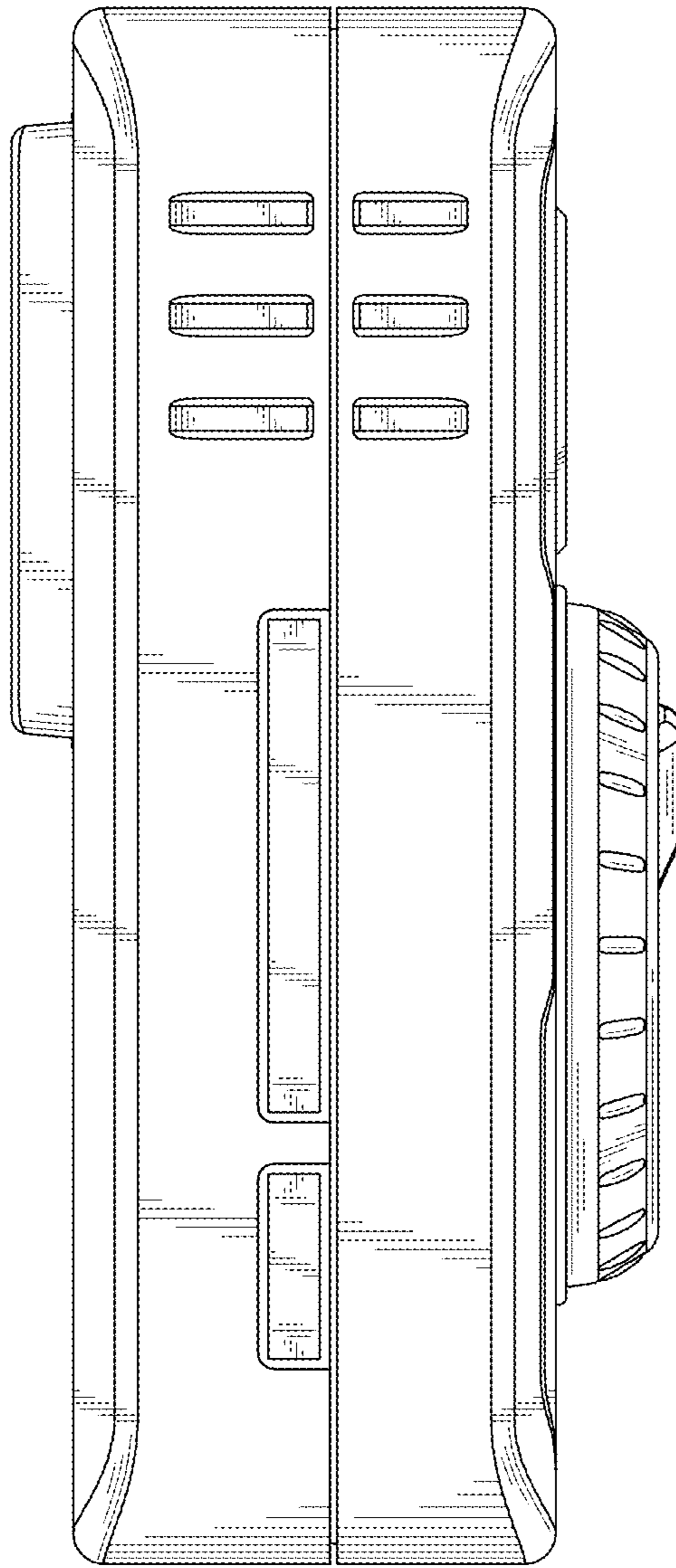


FIG. 5

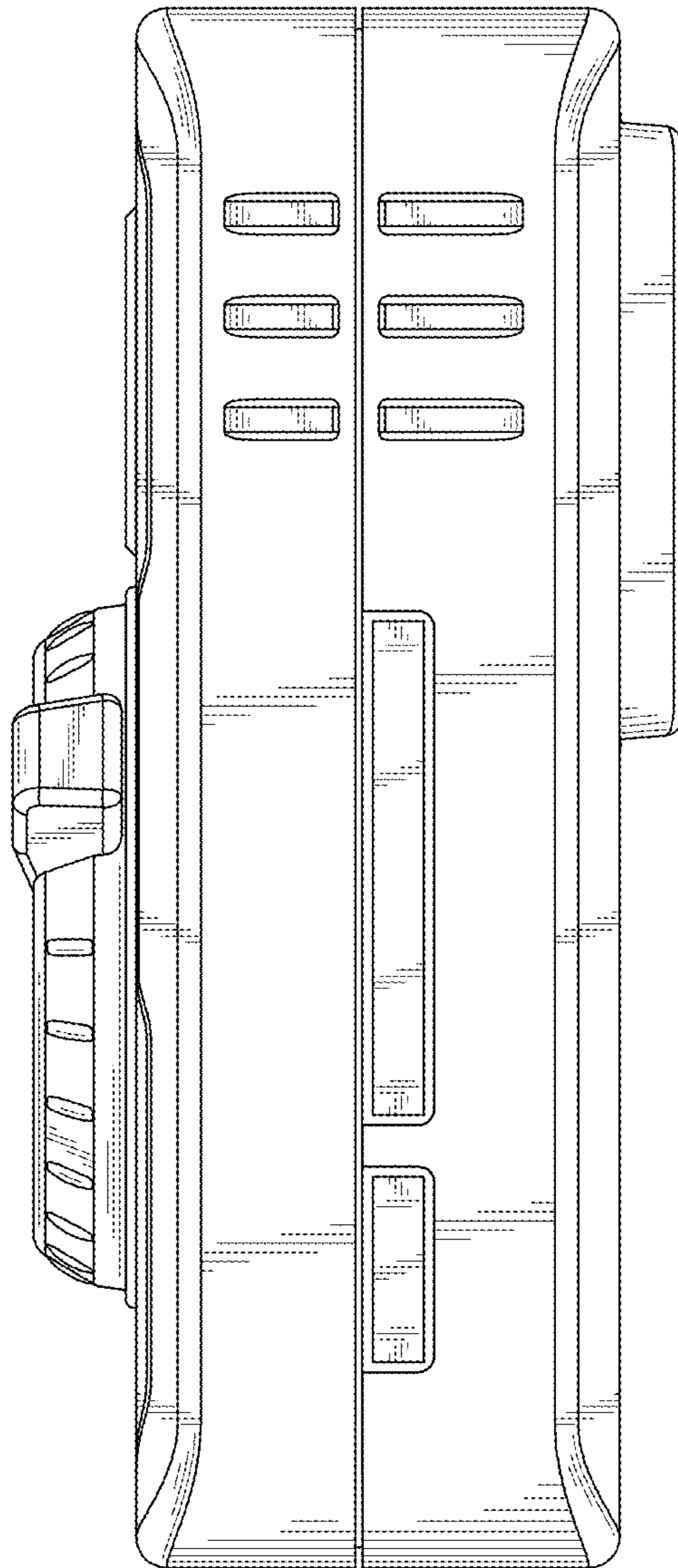


FIG. 6

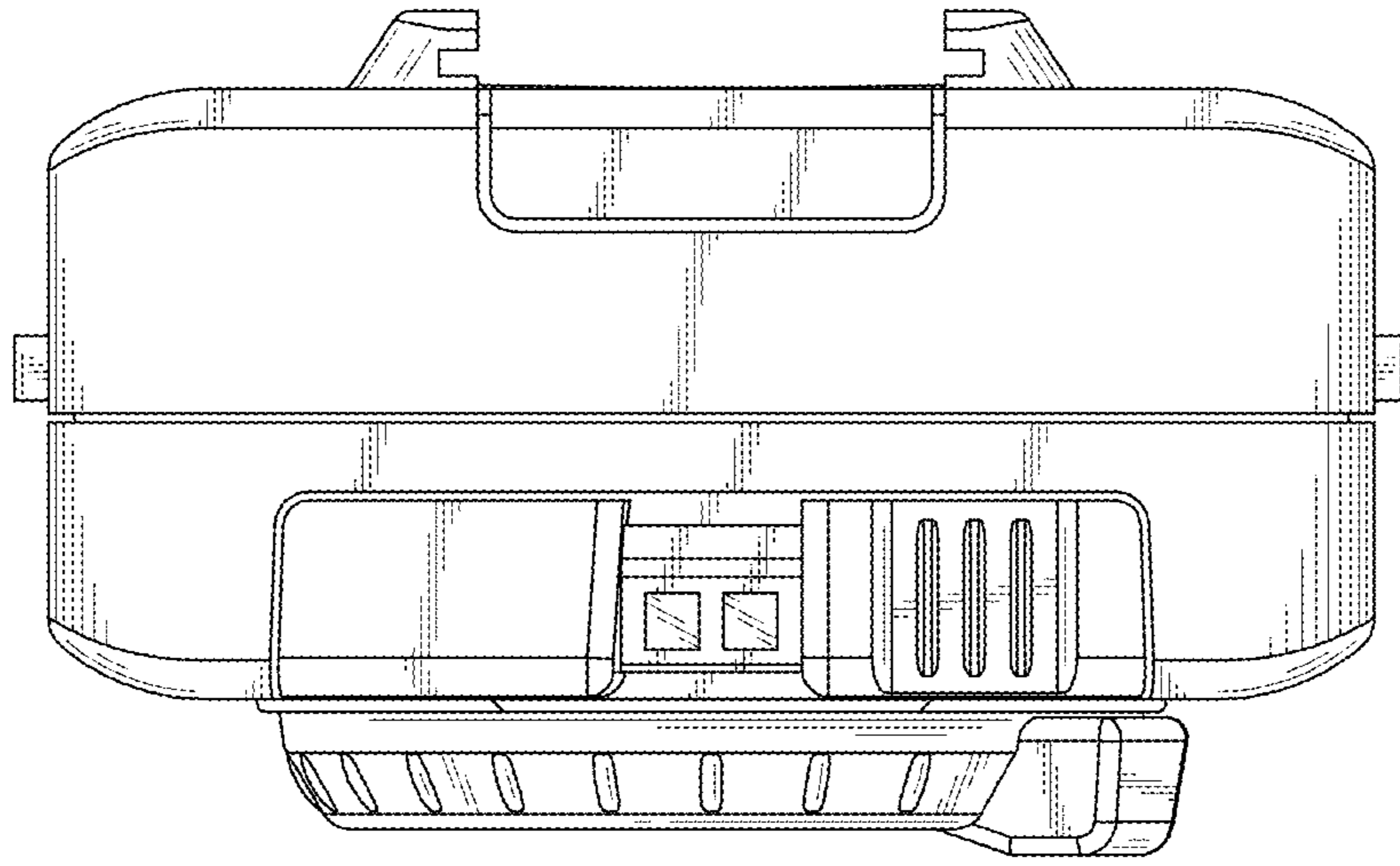


FIG. 7

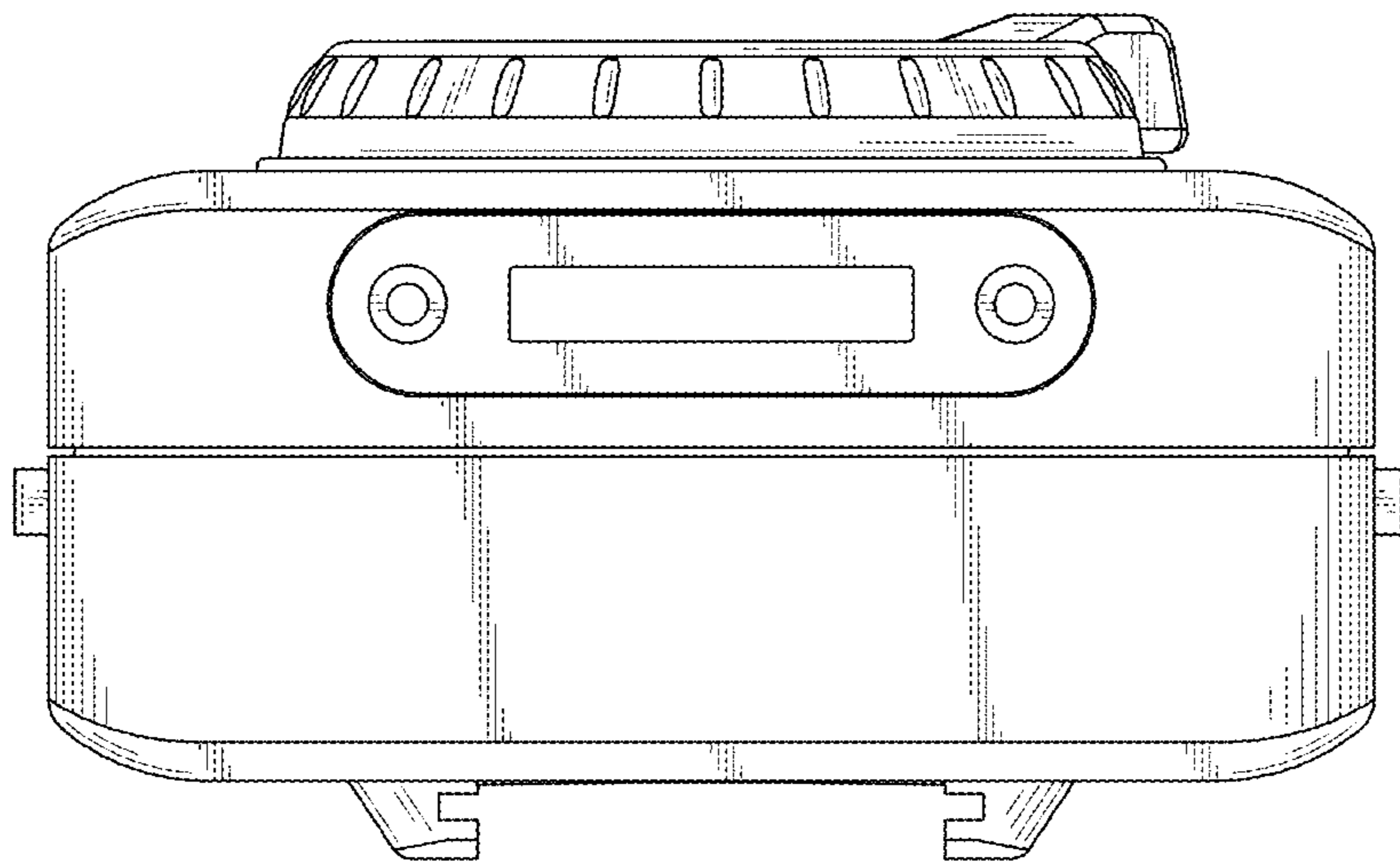


FIG. 8