



US00D797835S

(12) **United States Design Patent** (10) **Patent No.:** **US D797,835 S**
Nakajima et al. (45) **Date of Patent:** **** Sep. 19, 2017**

(54) **DIGITAL CAMERA**
(71) Applicant: **Nikon Corporation**, Tokyo (JP)
(72) Inventors: **Mitsuo Nakajima**, Kamakura (JP); **Shu Suzuki**, Yokohama (JP)
(73) Assignee: **Nikon Corporation**, Tokyo (JP)
(**) Term: **15 Years**
(21) Appl. No.: **29/569,144**
(22) Filed: **Jun. 23, 2016**

(30) **Foreign Application Priority Data**

Dec. 25, 2015 (JP) 2015-029012

(51) **LOC (10) Cl.** **16-01**

(52) **U.S. Cl.**
USPC **D16/202**; D16/200

(58) **Field of Classification Search**
USPC D3/267, 268, 269; D16/200–208, 211,
D16/216–219, 237
CPC .. G03B 17/08; G03B 17/568; G03B 2217/00;
H04N 5/2252; H04N 5/225
See application file for complete search history.

(56) **References Cited**

U.S. PATENT DOCUMENTS

D152,021 S * 12/1948 Reinecke D16/207
4,416,405 A * 11/1983 Caillouet A45F 5/00
224/257
D422,291 S * 4/2000 Senda D16/202
D431,828 S * 10/2000 Yoshida D16/202
D436,976 S * 1/2001 Tanaka D16/202
D447,498 S * 9/2001 Petravic D16/200
D479,726 S * 9/2003 Tanaka D16/202
D500,069 S * 12/2004 Hayashi D16/202
D502,720 S * 3/2005 Egnoto D16/202
6,950,142 B2 * 9/2005 Soumi H02J 7/0044
348/207.1
D515,605 S * 2/2006 Hayashi D16/202

D525,637 S * 7/2006 Suzuki D16/202
D528,142 S * 9/2006 Byun D16/202
D528,575 S * 9/2006 Suzuki D16/202
D544,513 S * 6/2007 Hayashi D16/202
D548,253 S * 8/2007 Naruki 16/205
D551,688 S * 9/2007 Uchiyama D16/202
D552,141 S * 10/2007 Kaplan D16/200
D552,648 S * 10/2007 Chung D16/202
D600,684 S * 9/2009 Tompkin
D634,764 S * 3/2011 Obata D16/202
D641,771 S * 7/2011 Sasaki D16/202
D662,959 S * 7/2012 Choi D16/202
D692,473 S * 10/2013 Kawaguchi D16/202

(Continued)

Primary Examiner — Susan E Krakower
Assistant Examiner — Lisa A Grabenstetter
(74) *Attorney, Agent, or Firm* — Wolf, Greenfield & Sacks, P.C.

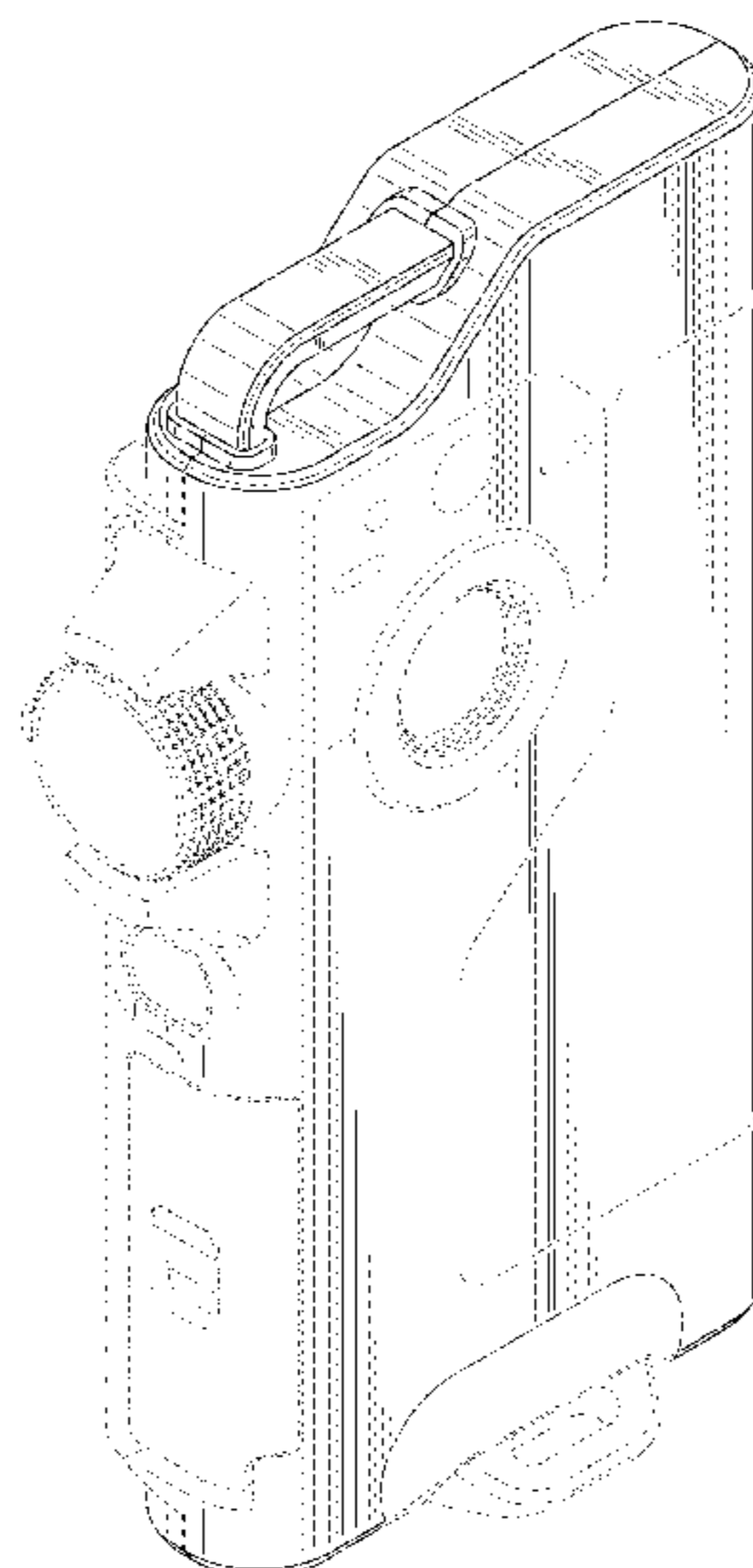
(57) **CLAIM**

The ornamental design for a digital camera, as shown and described.

DESCRIPTION

FIG. 1 is a front, top and left side perspective view of a digital camera showing our new design;
FIG. 2 is a rear, bottom and right side perspective view thereof;
FIG. 3 is a front elevational view thereof;
FIG. 4 is a rear elevational view thereof;
FIG. 5 is a top plan view thereof;
FIG. 6 is a bottom plan view thereof;
FIG. 7 is a right side elevational view thereof; and,
FIG. 8 is a left side elevational view thereof.
The broken lines illustrate portions of the digital camera and form no part of the claimed design. The dash-dotted lines denote the boundary of the claim and form no part of the claimed design.

1 Claim, 8 Drawing Sheets



(56)

References Cited

U.S. PATENT DOCUMENTS

D715,347 S * 10/2014 Troxel D16/202
2006/0050158 A1* 3/2006 Irie H04N 5/2252
348/246
2010/0208068 A1* 8/2010 Elsemore A01M 31/002
348/143

* cited by examiner

FIG. 1

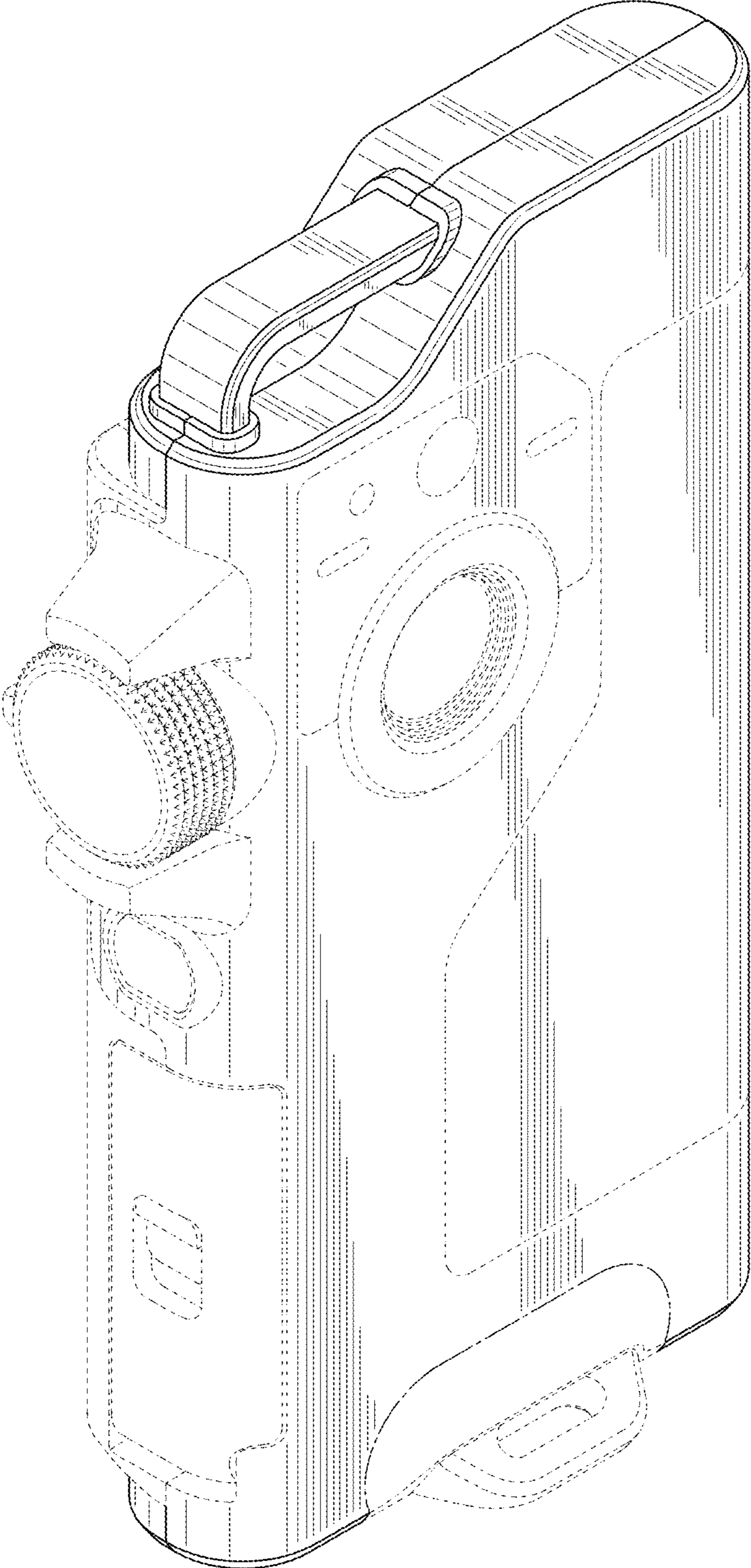


FIG. 2

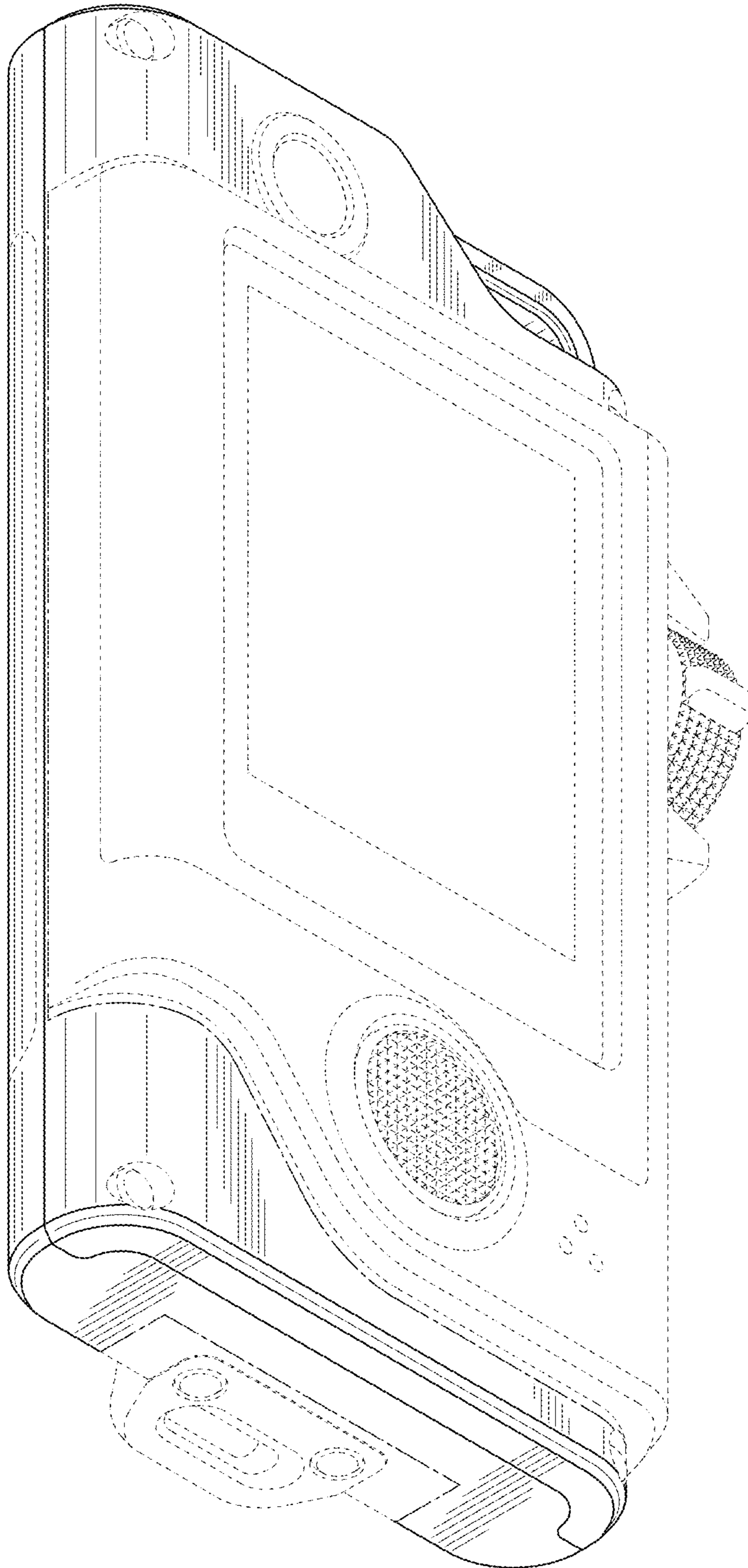


FIG. 3

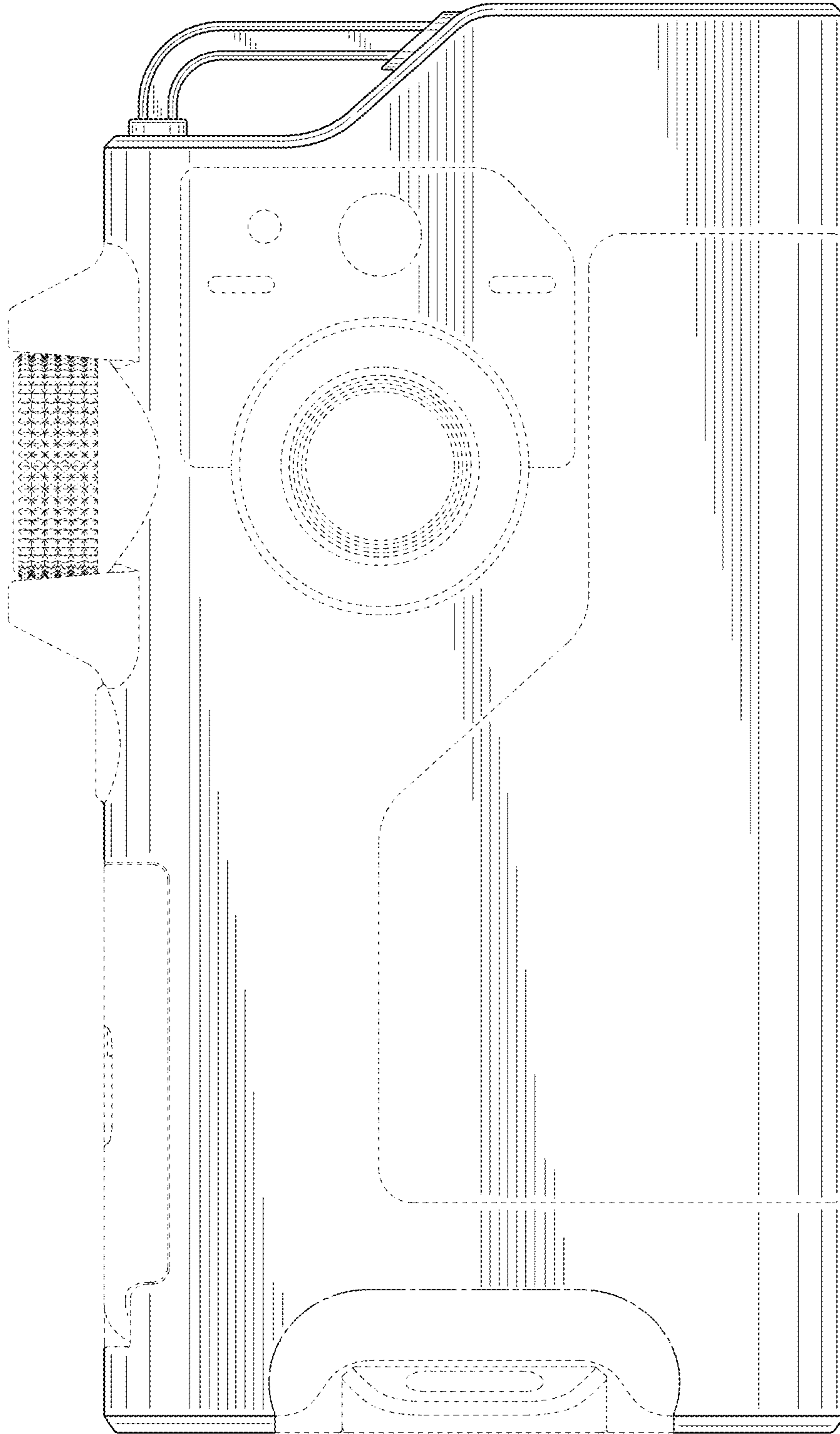


FIG. 4

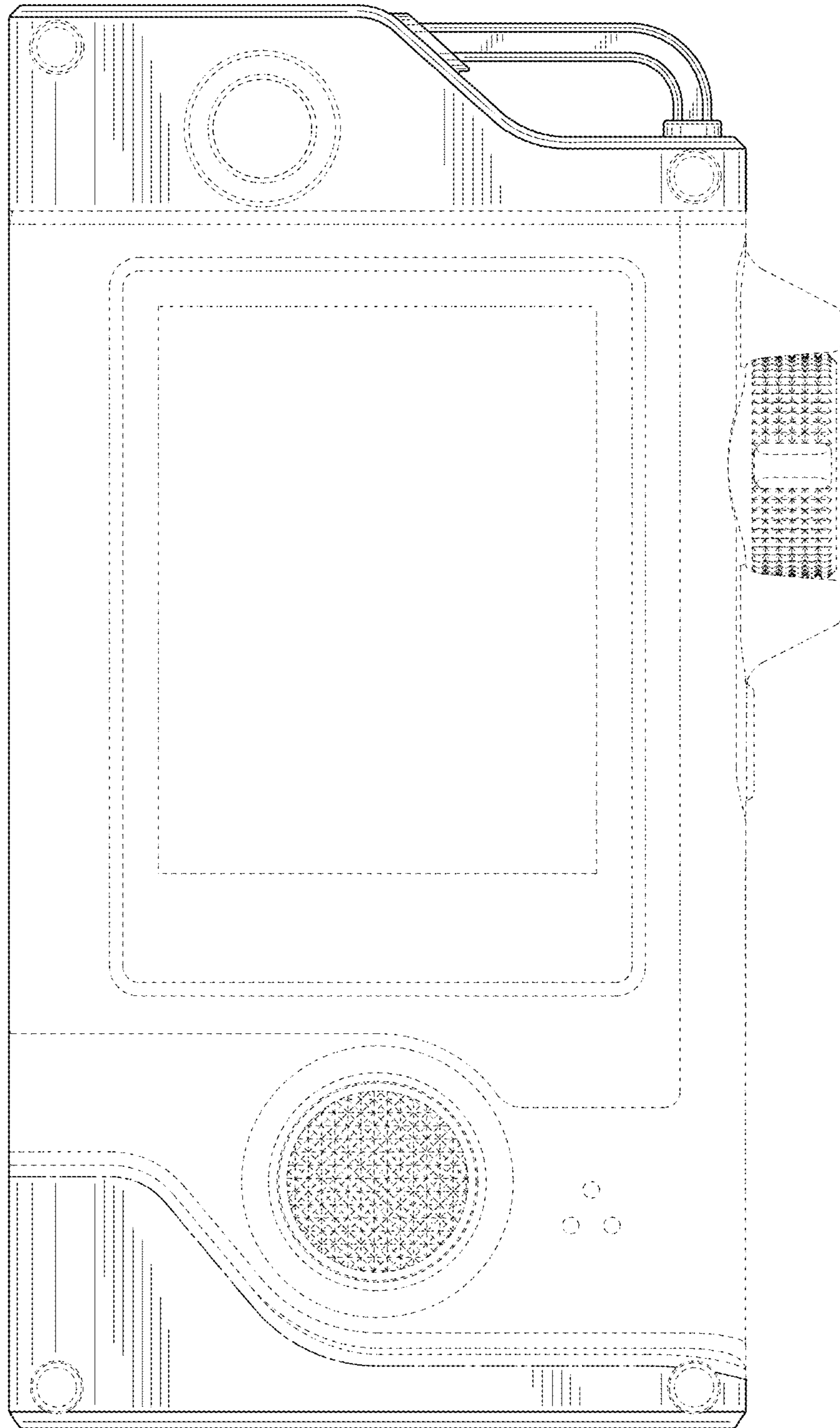


FIG. 5

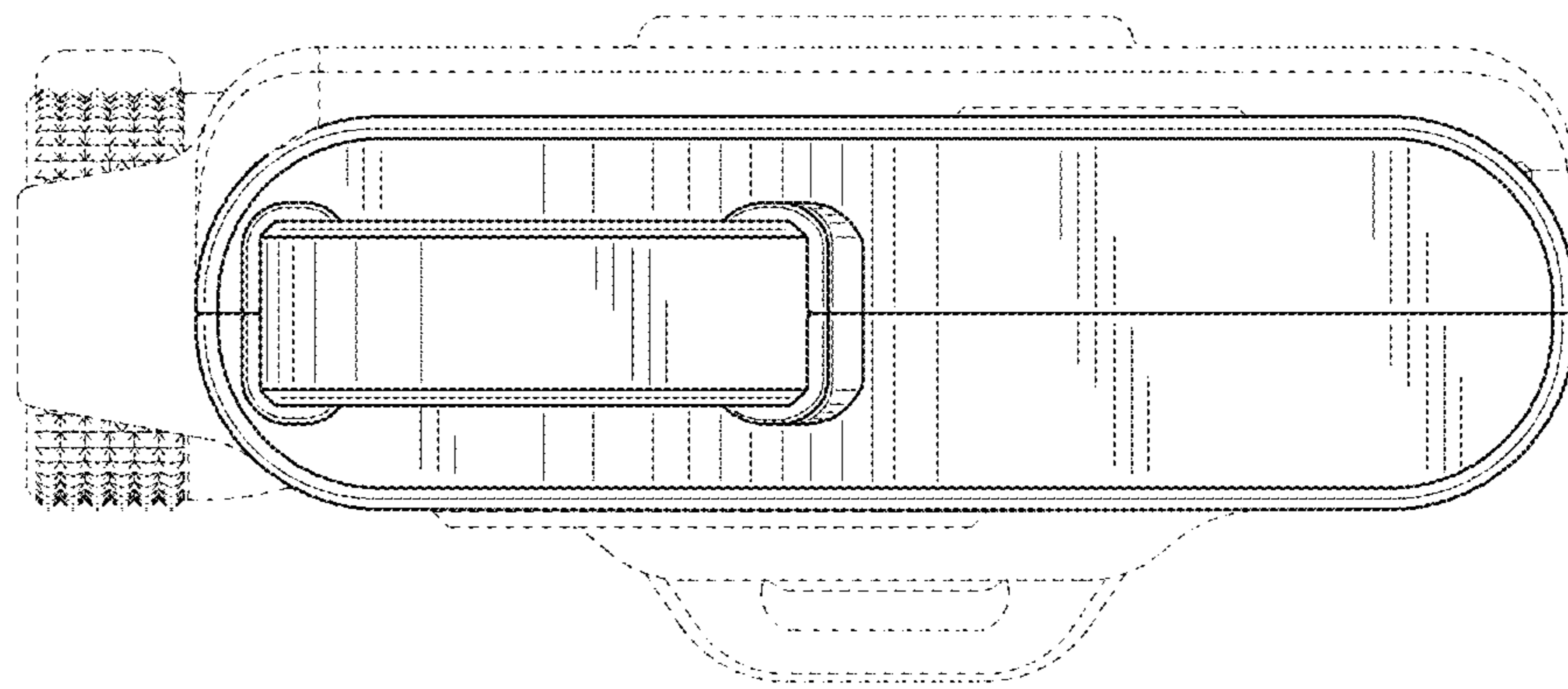


FIG. 6

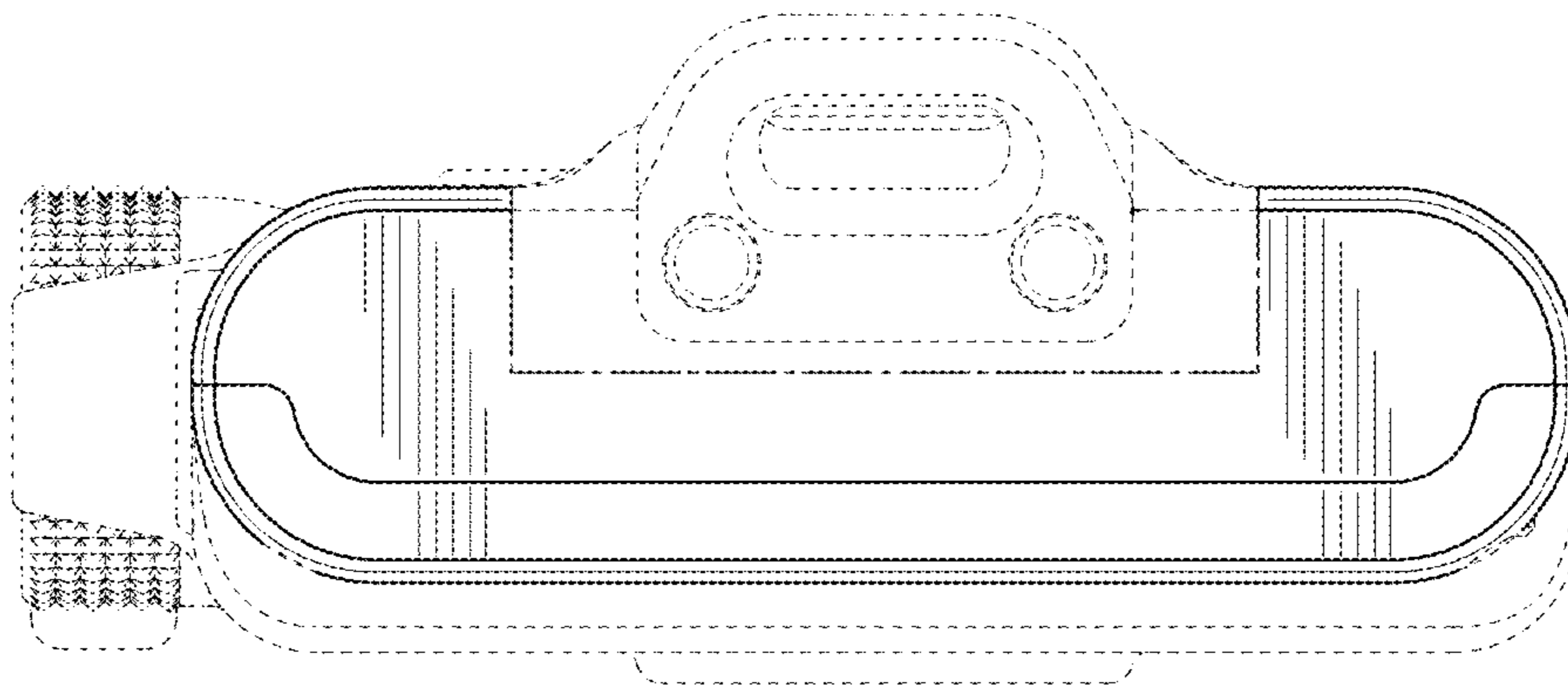


FIG. 7

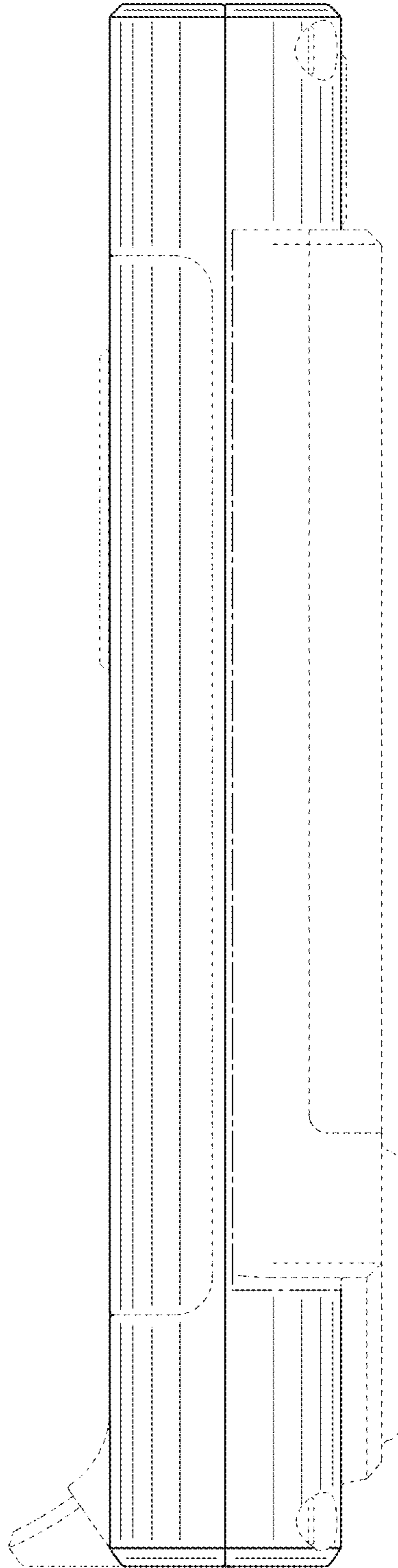


FIG. 8

