

US00D797834S

(12) **United States Design Patent** (10) **Patent No.:** **US D797,834 S**
Kayano (45) **Date of Patent:** **** Sep. 19, 2017**

(54) **LENS BARREL**
(71) Applicant: **FUJIFILM Corporation**, Tokyo (JP)
(72) Inventor: **Hironobu Kayano**, Saitama (JP)
(73) Assignee: **FUJIFILM Corporation**, Tokyo (JP)
(**) Term: **15 Years**
(21) Appl. No.: **29/531,400**
(22) Filed: **Jun. 25, 2015**

(30) **Foreign Application Priority Data**
Dec. 25, 2014 (JP) 2014-262742
(51) **LOC (10) Cl.** **16-06**
(52) **U.S. Cl.**
USPC **D16/136**
(58) **Field of Classification Search**
USPC D16/207, 210, 211, 213, 217, 218, 219,
D16/130-136, 200, 225, 229; D26/37,
D26/47; 350/252, 257; 354/286
See application file for complete search history.

(56) **References Cited**
U.S. PATENT DOCUMENTS
D183,255 S * 7/1958 Gabele D16/134
3,112,570 A * 12/1963 De Vasconcellos ... G01M 11/04
248/165
D198,141 S * 5/1964 Armbruster D16/131
D198,142 S * 5/1964 Armbruster D16/131
3,138,060 A * 6/1964 Eggert G02B 7/10
359/702
3,906,534 A * 9/1975 Shirasaki G02B 7/14
359/828
D251,669 S * 4/1979 Ueda D16/134
D260,401 S * 8/1981 Leopoldi D16/135

4,344,689 A * 8/1982 Kohmoto G03B 17/14
359/828
D267,231 S * 12/1982 Guem, Jr. D21/775
D267,514 S * 1/1983 Leung D26/37
D269,878 S * 7/1983 Noble, Jr. D15/124
D273,658 S * 5/1984 Sakaguchi D8/394
D273,659 S * 5/1984 Sakaguchi D8/394
D273,762 S * 5/1984 Sakaguchi D8/394
D273,763 S * 5/1984 Sakaguchi D8/394
D273,871 S * 5/1984 Shigoku D16/136
D574,026 S * 7/2008 Haga D16/134
D575,319 S * 8/2008 Tajima D16/134
D605,681 S * 12/2009 Obata D16/134

* cited by examiner
Primary Examiner — Susan Bennett Hattan
Assistant Examiner — Jennifer Wright
(74) *Attorney, Agent, or Firm* — Sughrue Mion, PLLC

(57) **CLAIM**
The ornamental design for a lens barrel, as shown and described.

DESCRIPTION
FIG. 1 is a front elevational view of a lens barrel showing the new design;
FIG. 2 is a right side elevational view thereof;
FIG. 3 is a top plan view thereof;
FIG. 4 is a magnified top plan view thereof; and,
FIG. 5 is a perspective view thereof.
The left side elevational view is a mirror image of FIG. 2.
The dash-dot-dash line depict boundaries of the claim that form no part of the claimed design. All other broken lines depict parts of the lens barrel that form no part of the claimed design.
The portions of the design shown in broken lines having unequal segments illustrate the boundary of the claimed design and form no part of the claimed design.

1 Claim, 5 Drawing Sheets

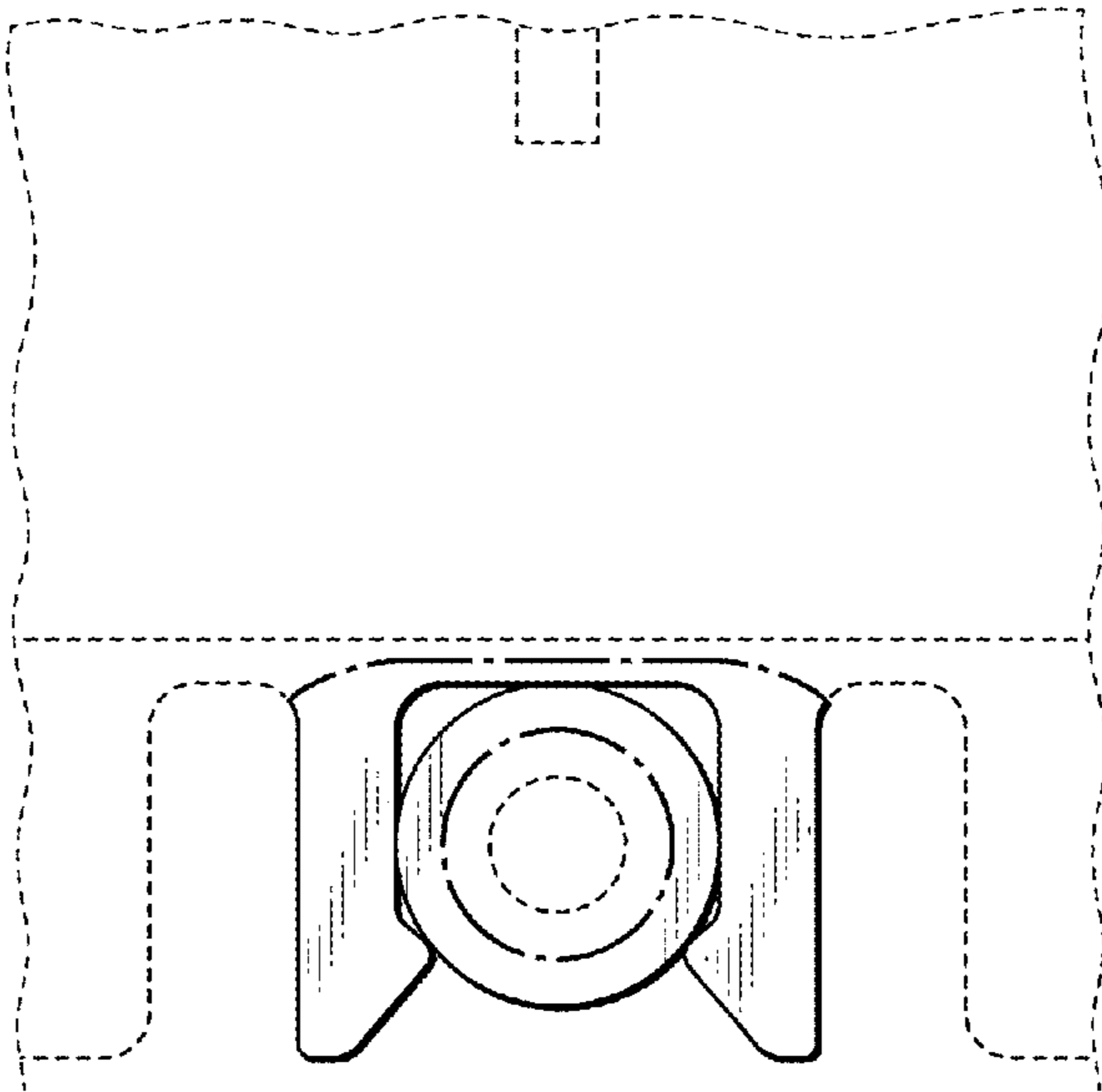


FIG. 1

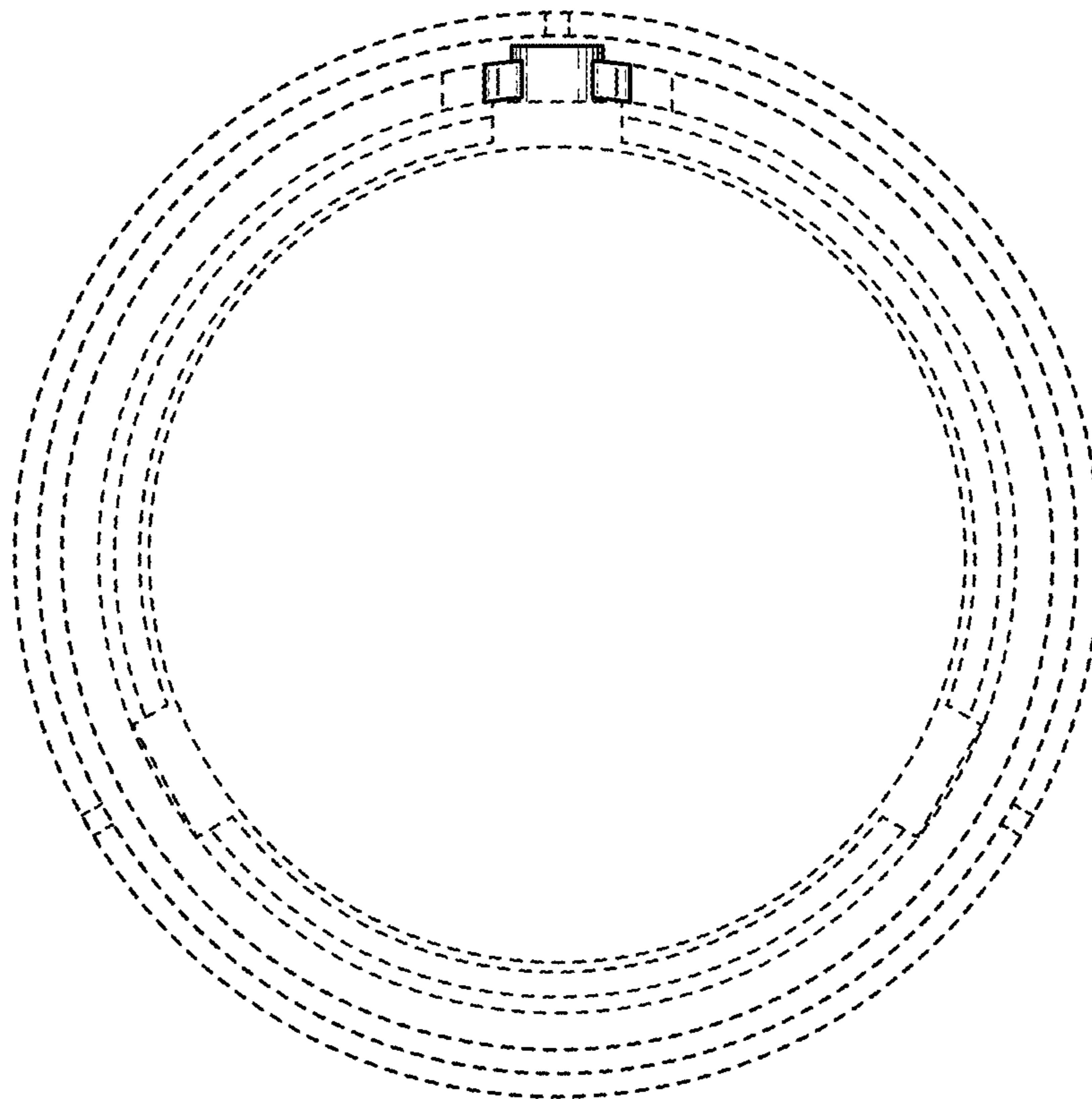


FIG. 2

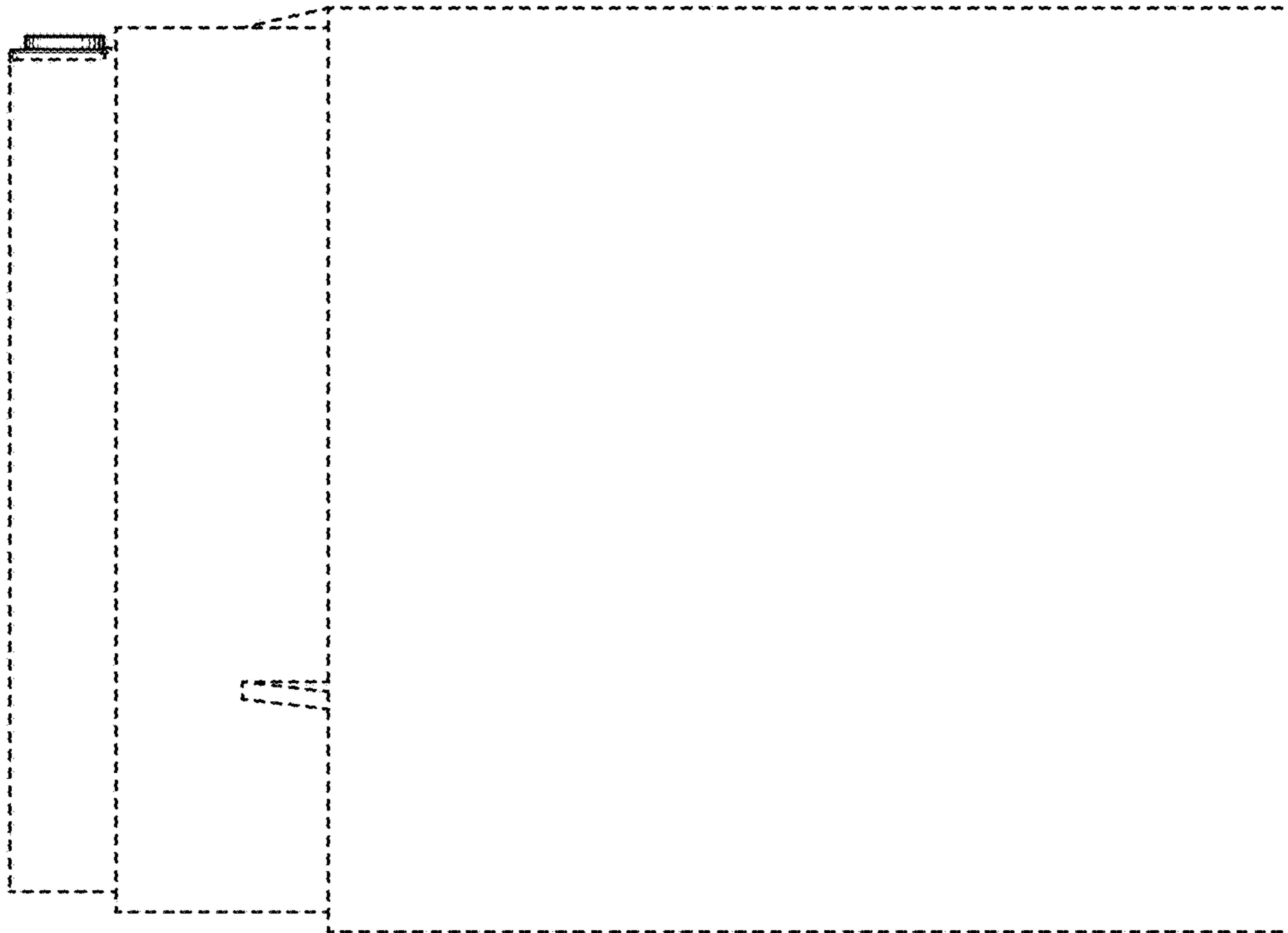


FIG. 3

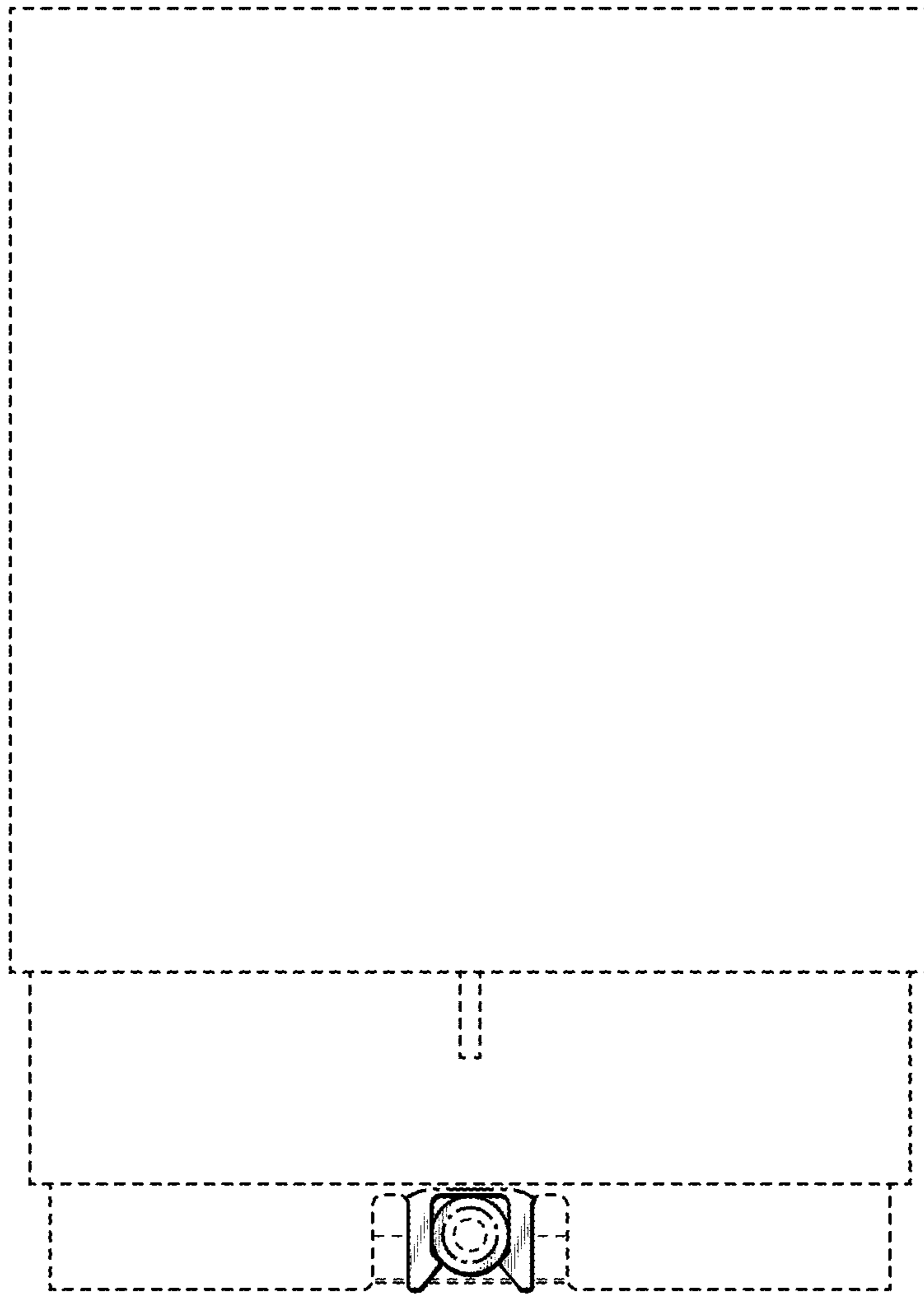


FIG. 4

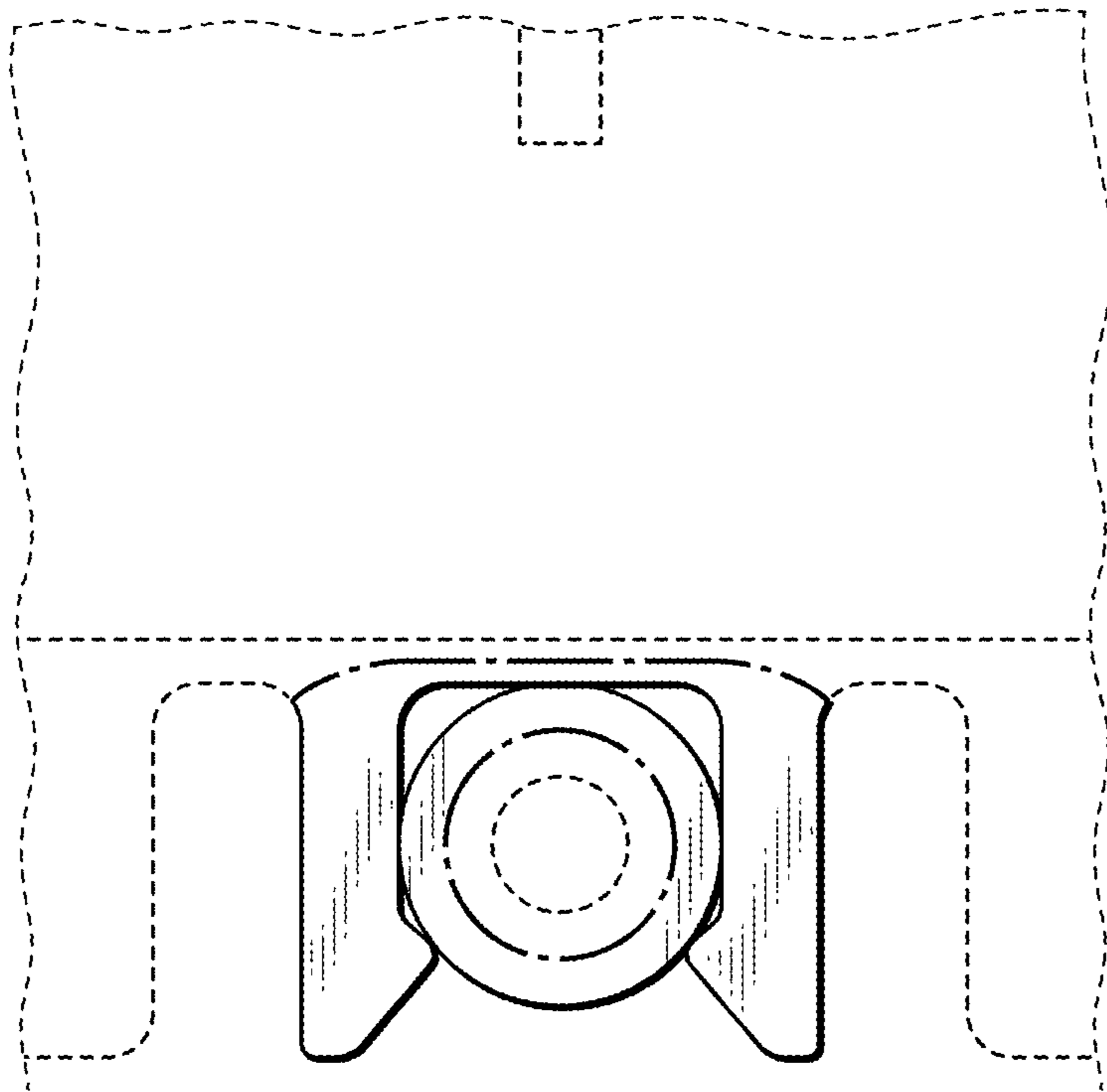


FIG. 5

