

US00D797833S

(12) **United States Design Patent** (10) **Patent No.:** **US D797,833 S**
Litovchenko (45) **Date of Patent:** **** Sep. 19, 2017**

(54) **LENS**
(71) Applicant: **GSN Electronic Company, Ltd.,**
Nazareth Illit (IL)
(72) Inventor: **Evgeny Litovchenko, Afula (IL)**
(73) Assignee: **GSN Electronic Company Ltd. (IL)**
(**) Term: **15 Years**
(21) Appl. No.: **29/559,155**
(22) Filed: **Mar. 24, 2016**

5,689,736 A * 11/1997 Okuyama G03B 13/06
250/221
5,912,769 A * 6/1999 Iizuka G02B 5/04
359/631
6,128,119 A 10/2000 Kamikubo
6,330,121 B1 * 12/2001 Kobayashi G02B 5/04
345/8
D489,383 S * 5/2004 Overholser D16/101
D607,913 S 1/2010 Chen et al.
D611,078 S 3/2010 Chen et al.
D611,080 S 3/2010 Chen et al.
D614,522 S * 4/2010 Shin D10/114.1
D619,633 S 7/2010 Chen et al.
D624,105 S 9/2010 Peng et al.
D691,191 S 10/2013 Aalam
D738,947 S 9/2015 Litovchenko
D743,089 S * 11/2015 Sugihara D26/113

(30) **Foreign Application Priority Data**
Dec. 3, 2015 (GB) S201501805
(51) **LOC (10) Cl.** **16-06**
(52) **U.S. Cl.**
USPC **D16/134**
(58) **Field of Classification Search**
USPC D16/101, 131, 134, 135, 136, 235;
D26/38
CPC G02B 2003/0093; G02B 3/04; C03B
2215/46
See application file for complete search history.

* cited by examiner
Primary Examiner — Sheryl Lane
Assistant Examiner — Calvin E Vansant
(74) *Attorney, Agent, or Firm* — Blank Rome LLP

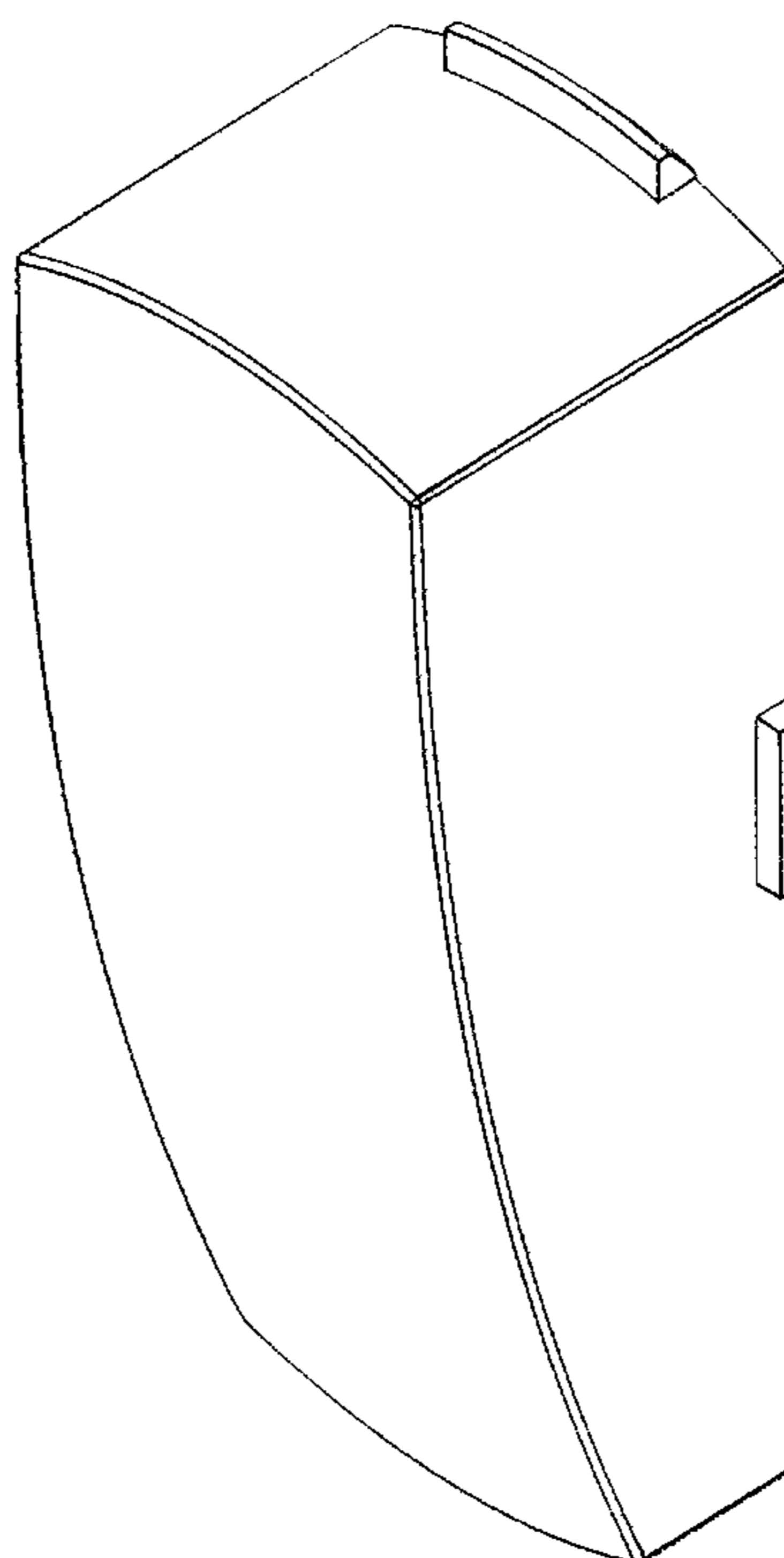
(56) **References Cited**
U.S. PATENT DOCUMENTS
D243,394 S 2/1977 Nerad et al.
4,969,728 A 11/1990 Sisler
D334,630 S * 4/1993 Paffrath D26/120
5,548,444 A 8/1996 McLaughlin et al.

(57) **CLAIM**
The ornamental design for a lens, as shown and described.

DESCRIPTION

FIG. 1 is a perspective left side view of the lens;
FIG. 2 is a perspective right side view thereof;
FIG. 3 is a front view thereof;
FIG. 4 is a rear view thereof.
FIG. 5 is a top view thereof;
FIG. 6 is a bottom view thereof;
FIG. 7 is a right side view thereof; and,
FIG. 8 is a left side view thereof.

1 Claim, 8 Drawing Sheets



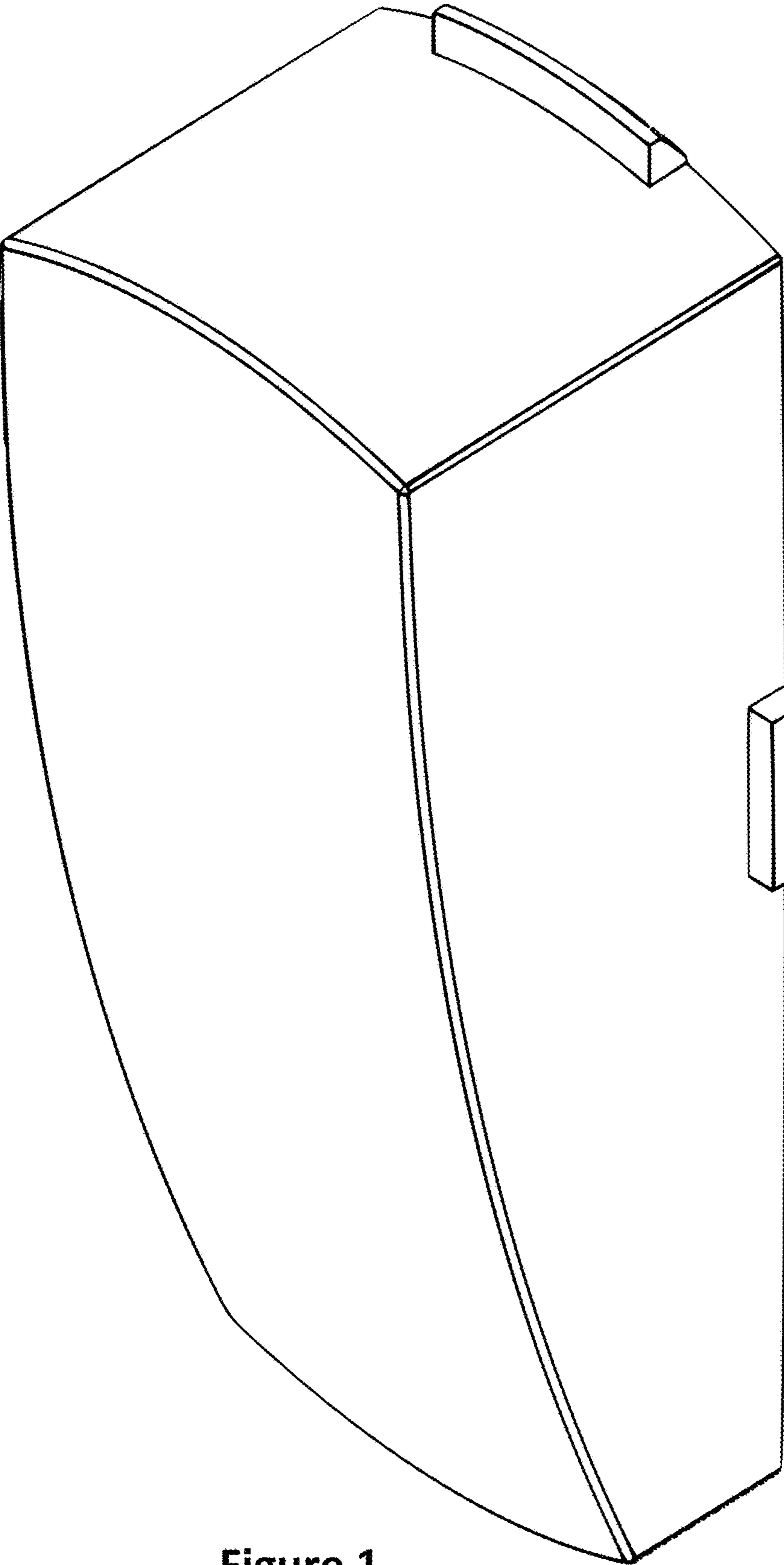


Figure 1

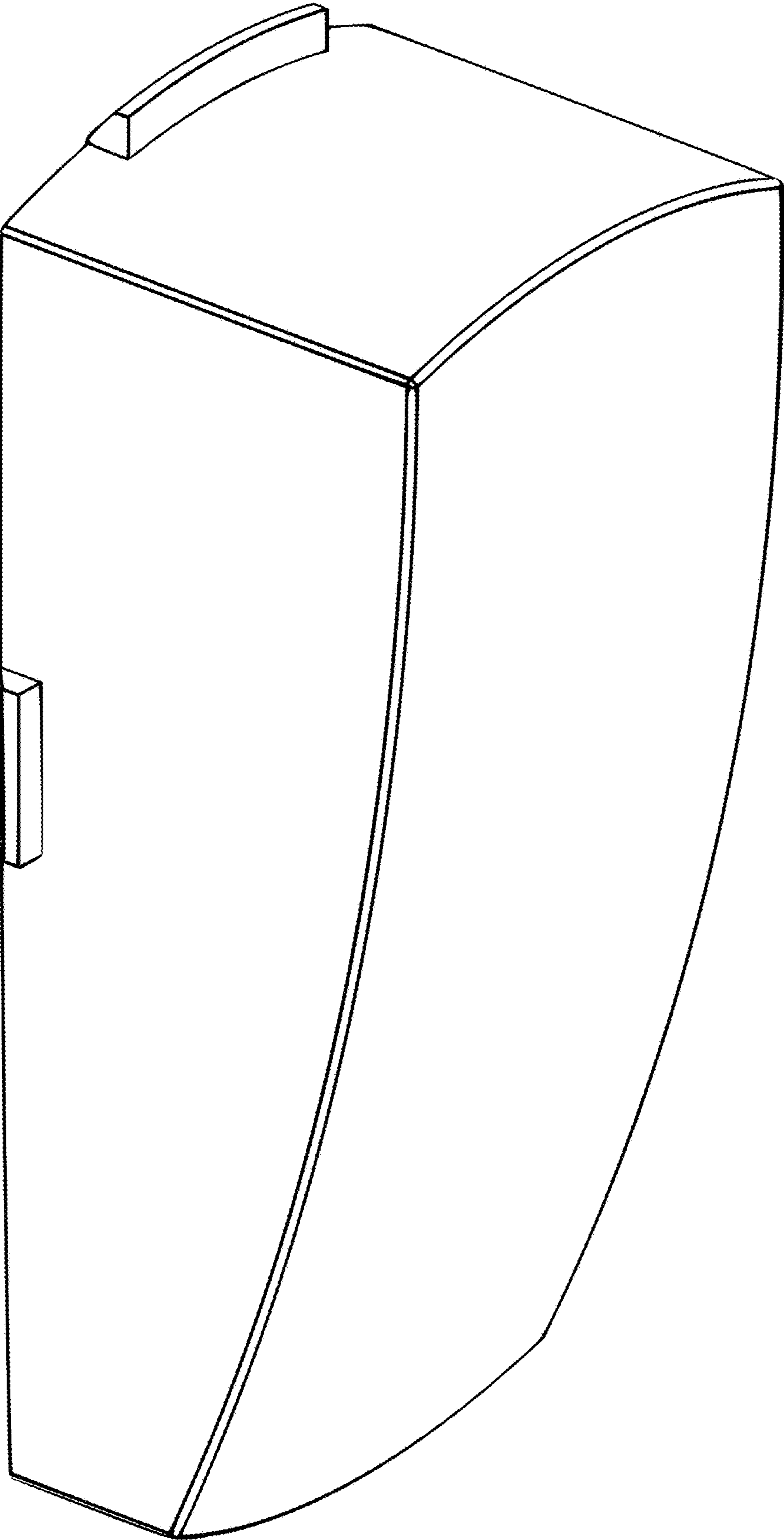


Figure 2

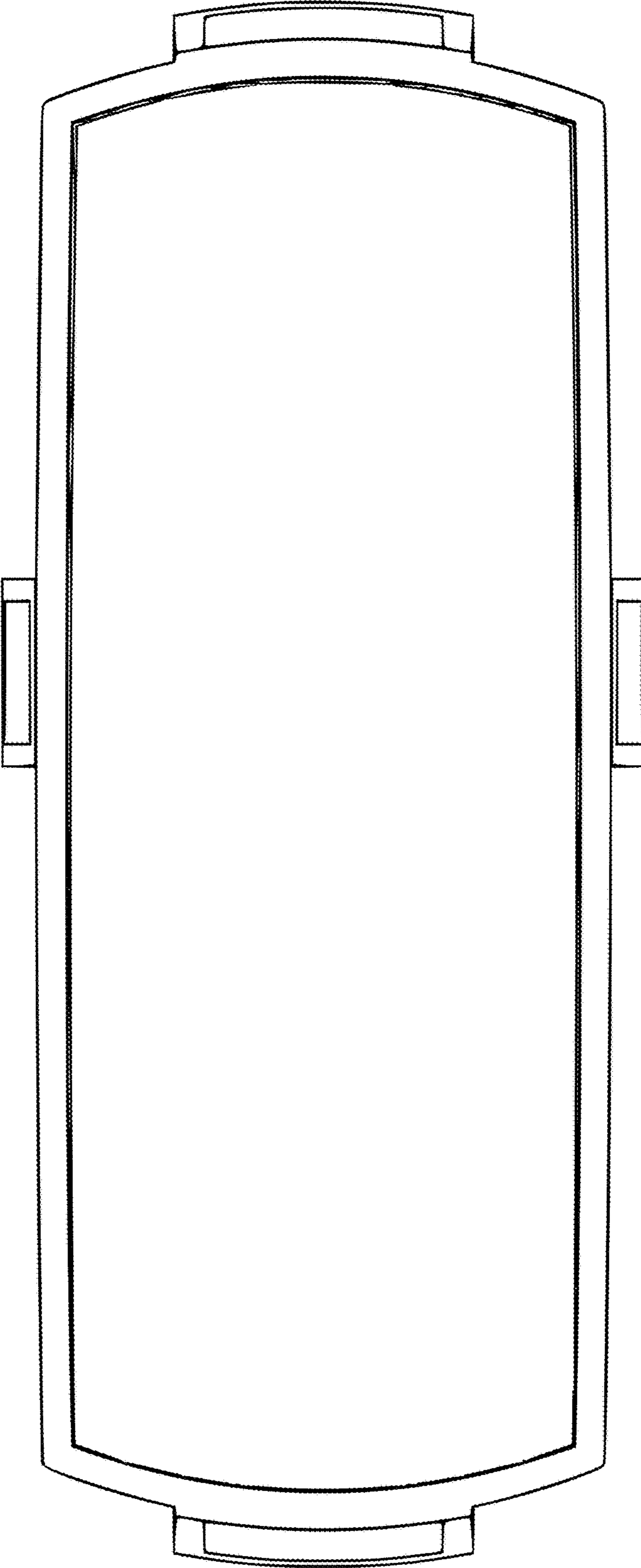


Figure 3

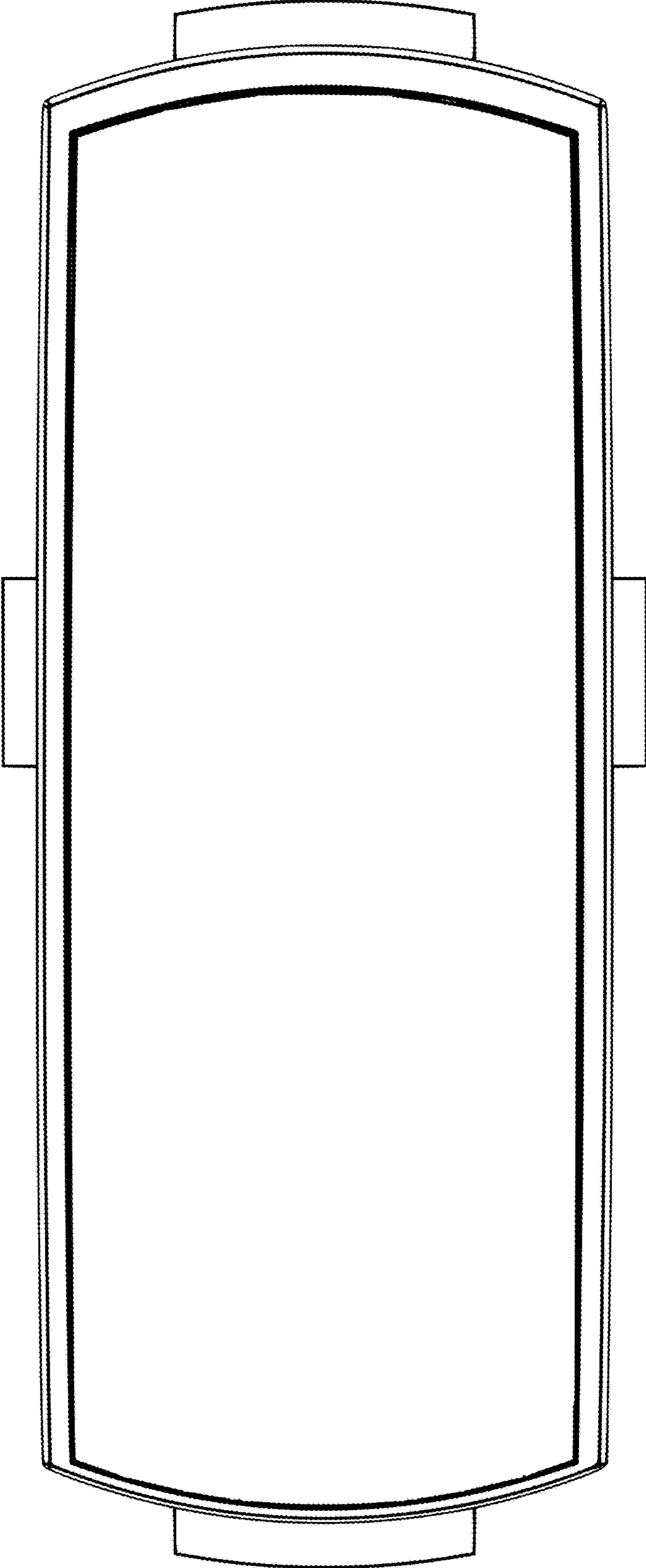


Figure 4

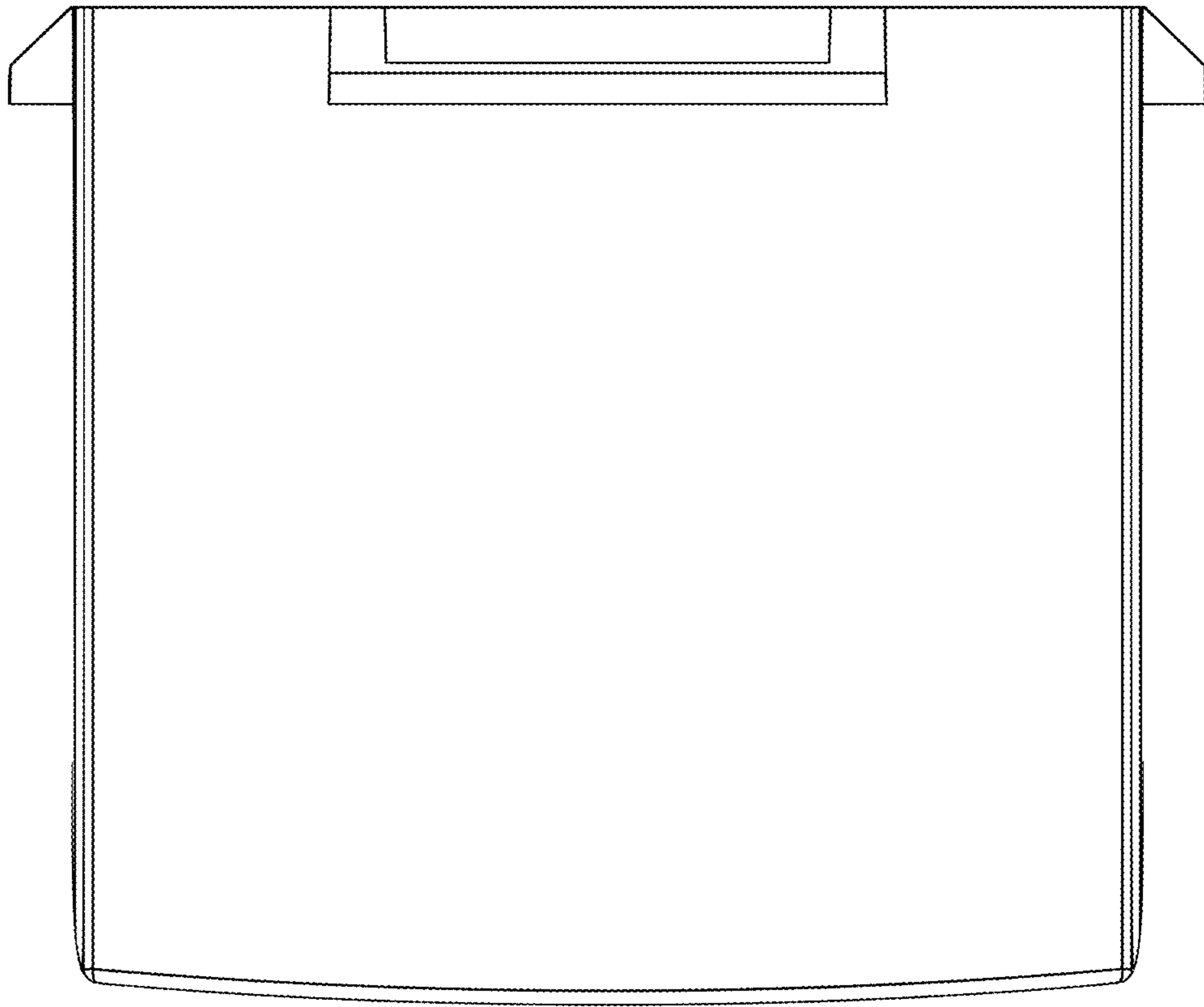


Figure 5

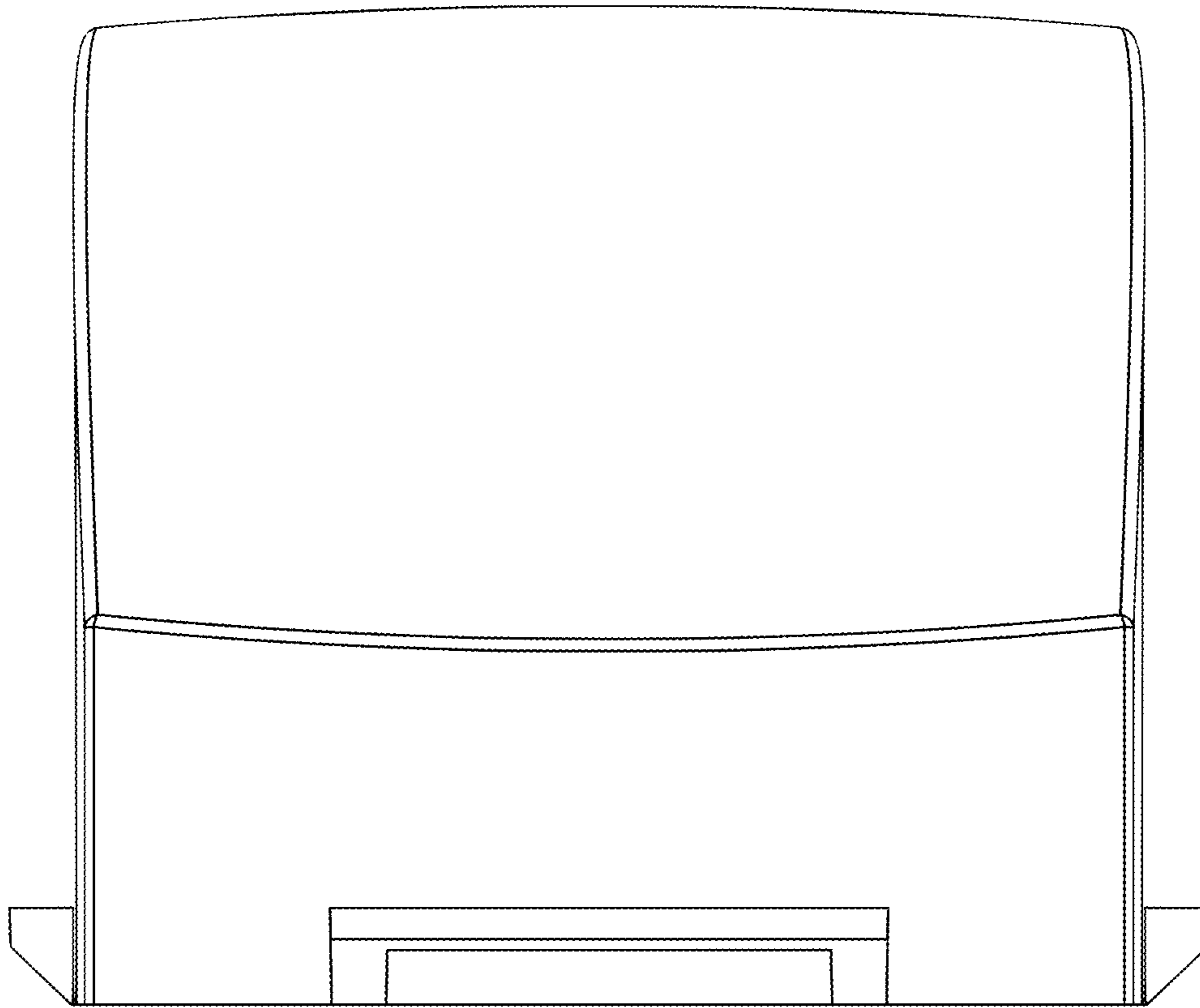


Figure 6

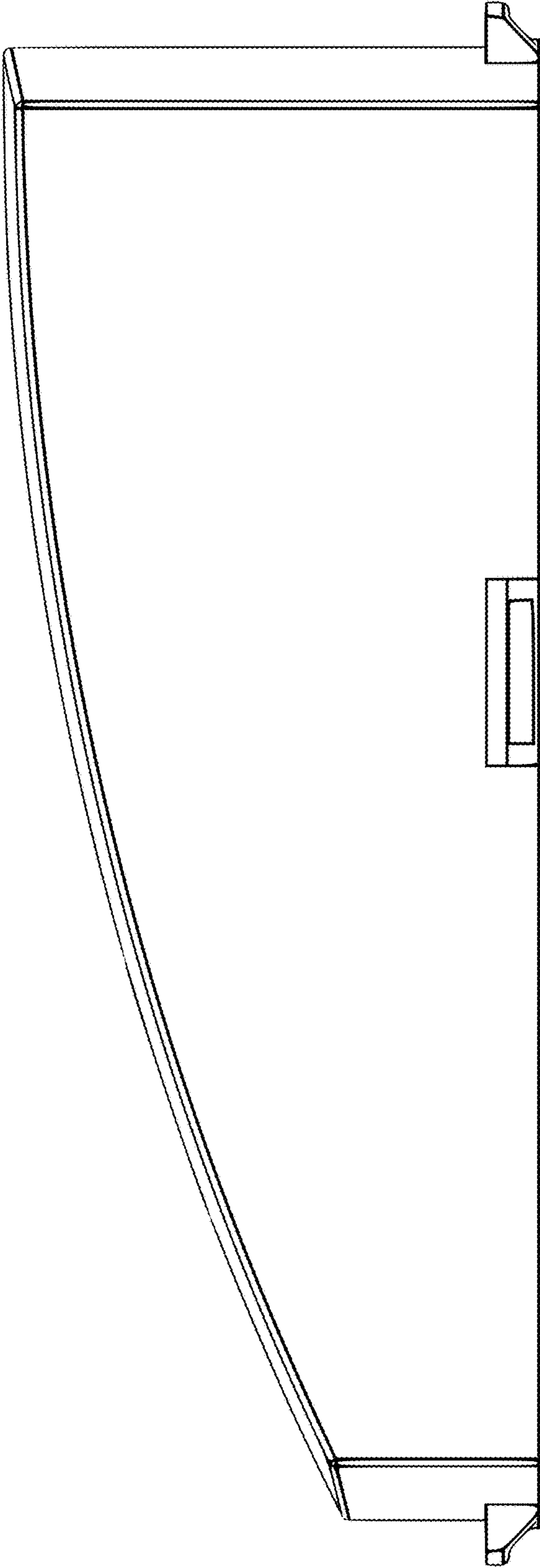


Figure 7

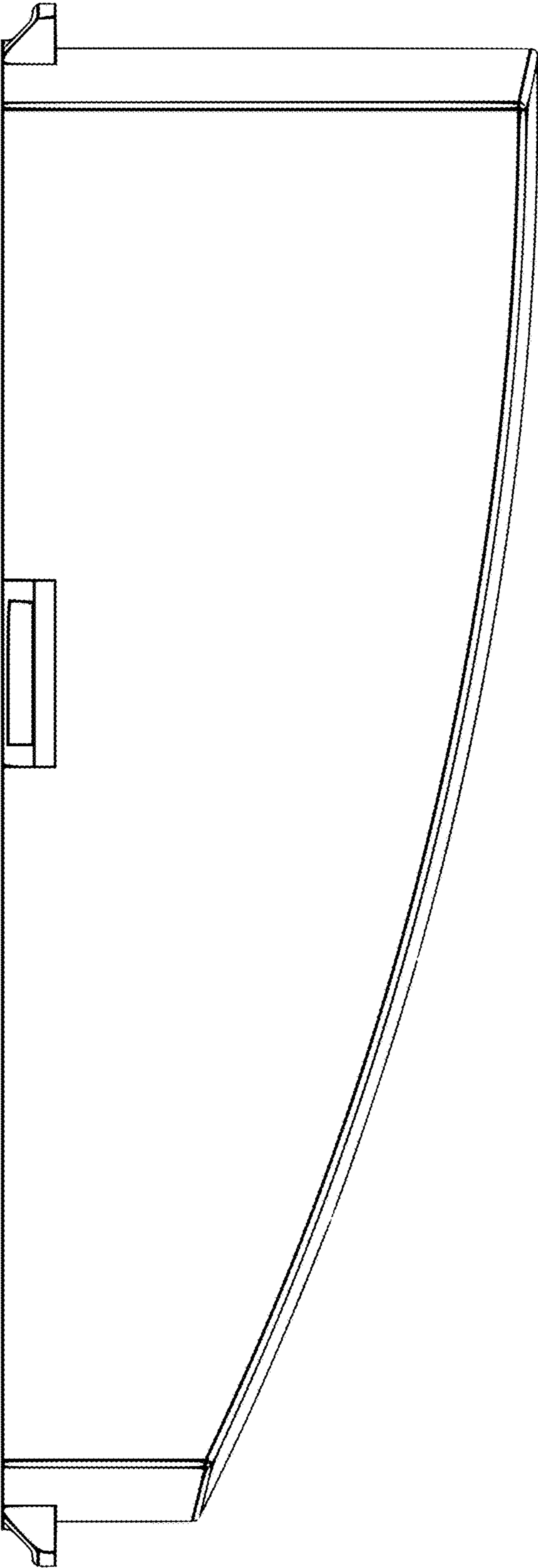


Figure 8