



US00D797832S

(12) **United States Design Patent** (10) **Patent No.:** **US D797,832 S**
Apothéloz (45) **Date of Patent:** **** Sep. 19, 2017**

(54) **VERTICAL SUPPORT MEMBER OF A MICROSCOPE STAND**

D647,551 S * 10/2011 Lawson D16/131
D650,405 S * 12/2011 Nusser D16/131
D660,894 S * 5/2012 Nojima D16/131

(71) Applicant: **Leica Microsystems (Schweiz) AG**,
Heerbrugg (CH)

* cited by examiner

(72) Inventor: **Christophe Apothéloz**, Zurich (CH)

Primary Examiner — Randall Gholson

(73) Assignee: **Leica Microsystems (Schweiz) AG**,
Heerbrugg (CH)

(74) *Attorney, Agent, or Firm* — Crowell & Moring LLP

(**) Term: **15 Years**

(57) **CLAIM**

(21) Appl. No.: **29/563,326**

The ornamental design for a vertical support member of a microscope stand, as shown and described.

(22) Filed: **May 4, 2016**

(30) **Foreign Application Priority Data**

DESCRIPTION

Nov. 5, 2015 (EM) 002848531-0001

(51) **LOC (10) Cl.** **16-06**

(52) **U.S. Cl.**
USPC **D16/131**

(58) **Field of Classification Search**
USPC D16/130, 131, 134, 136, 137, 219, 235,
D16/237; D26/120, 124
CPC G02B 21/004; G02B 21/008; G02B
21/0088; G02B 21/20; G02B 21/22;
G02B 21/24

This application contains subject matter related to the following co-pending U.S. design patent application: Application Ser. No. 29/563,327, filed herewith and entitled "Vertical Support Member and Stand Base of a Microscope Stand".

FIG. 1 is a top right side perspective view of a vertical support member of a microscope stand according to the design;

FIG. 2 is a rear left side perspective view thereof;

FIG. 3 is a front view thereof;

FIG. 4 is a rear view thereof;

FIG. 5 is a left side view thereof;

FIG. 6 is a right side view thereof; and,

FIG. 7 is a top view thereof.

The broken lines are for illustrative purposes only and form no part of the claimed design.

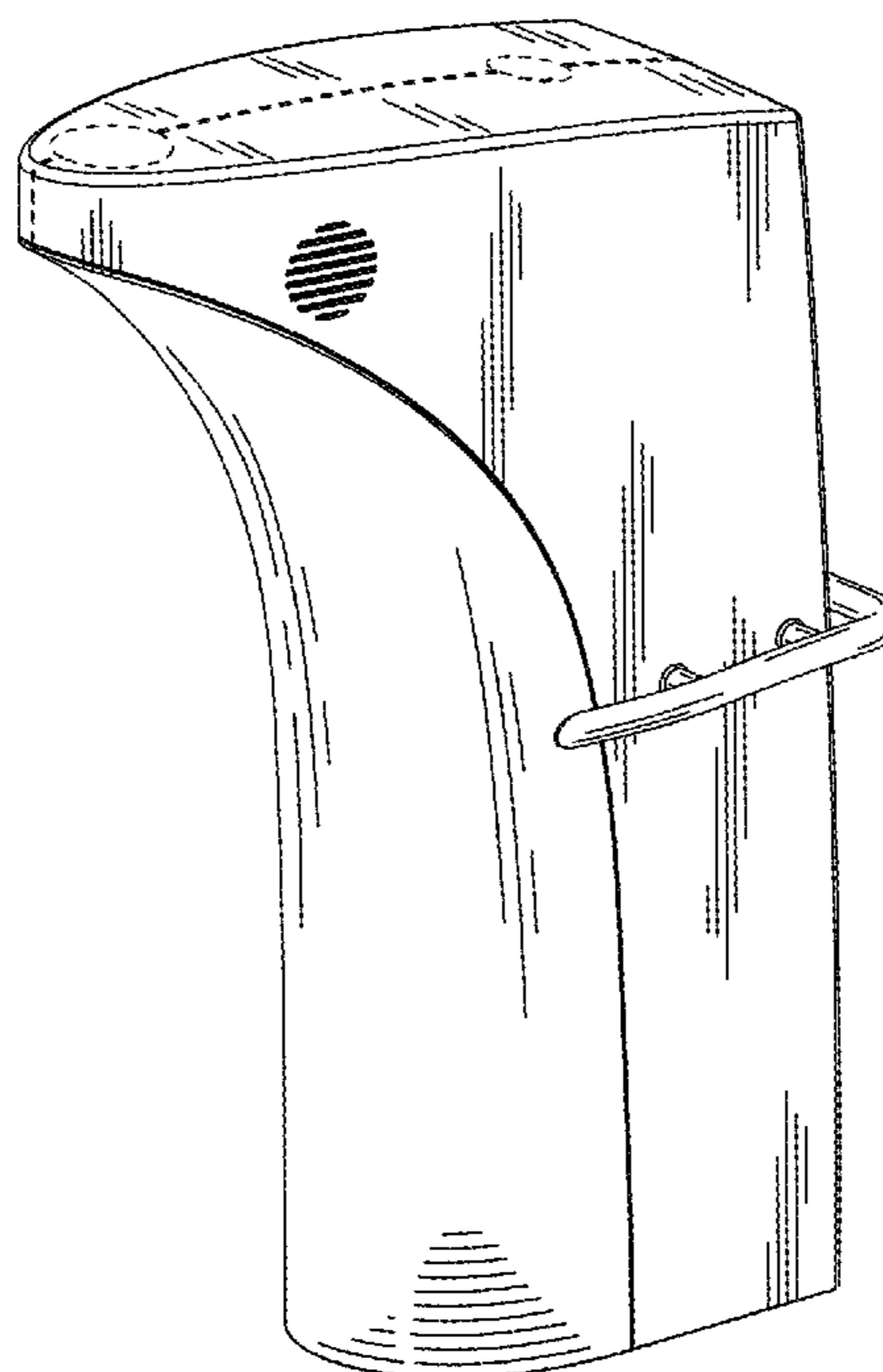
See application file for complete search history.

(56) **References Cited**

U.S. PATENT DOCUMENTS

D516,595 S * 3/2006 Apotheloz D16/131
D633,539 S * 3/2011 Kung D16/131

1 Claim, 7 Drawing Sheets



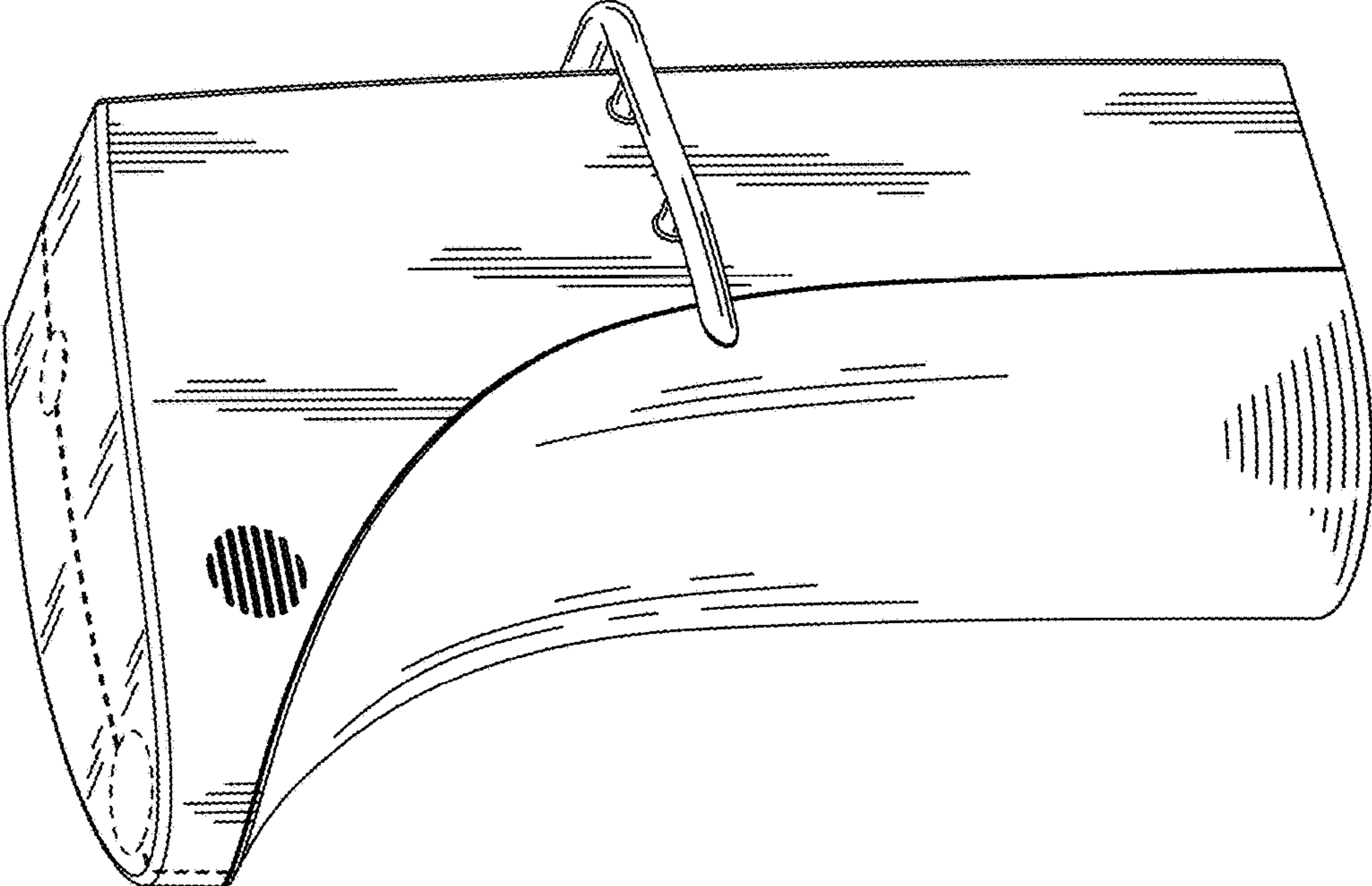


FIG. 1

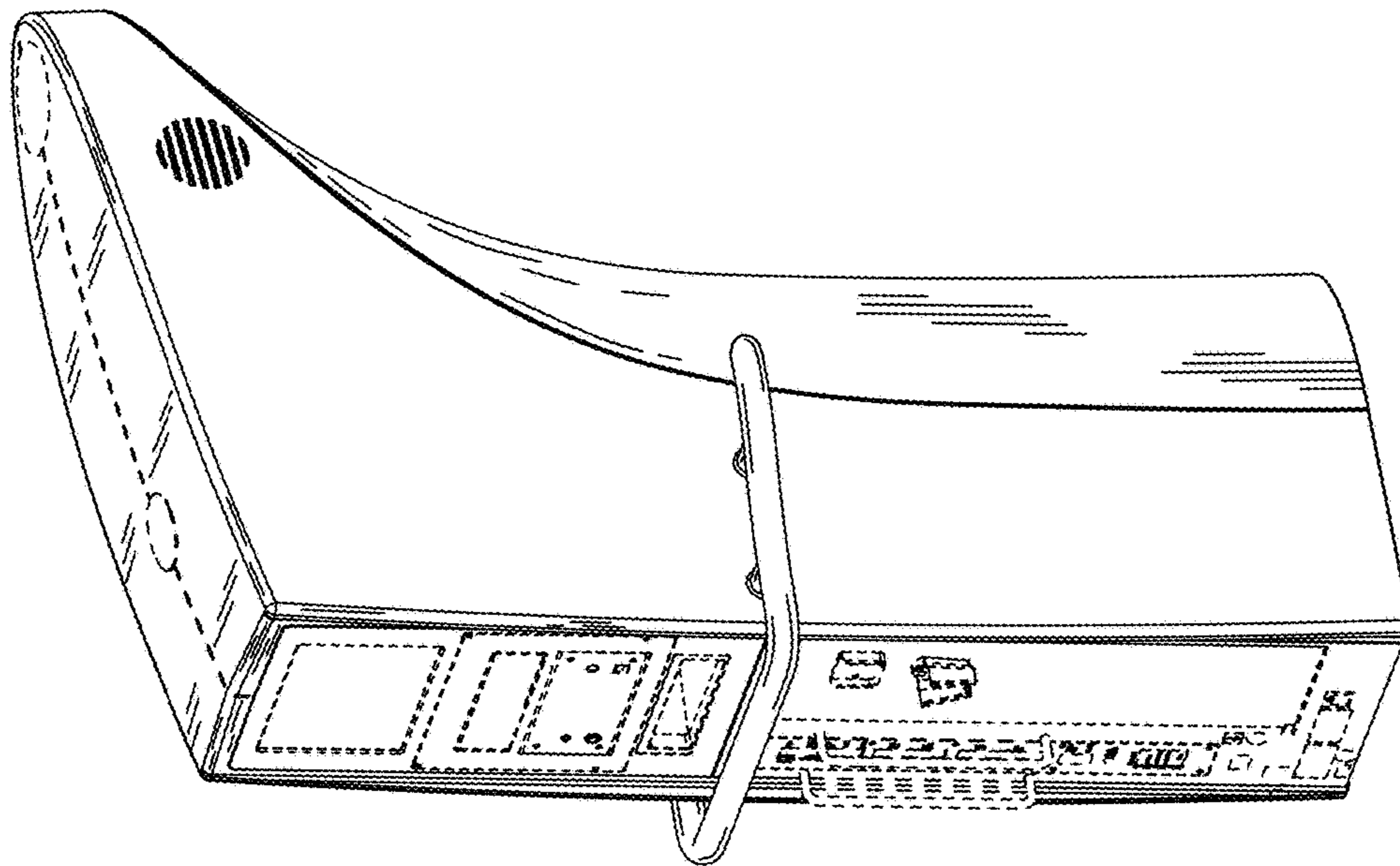


FIG. 2

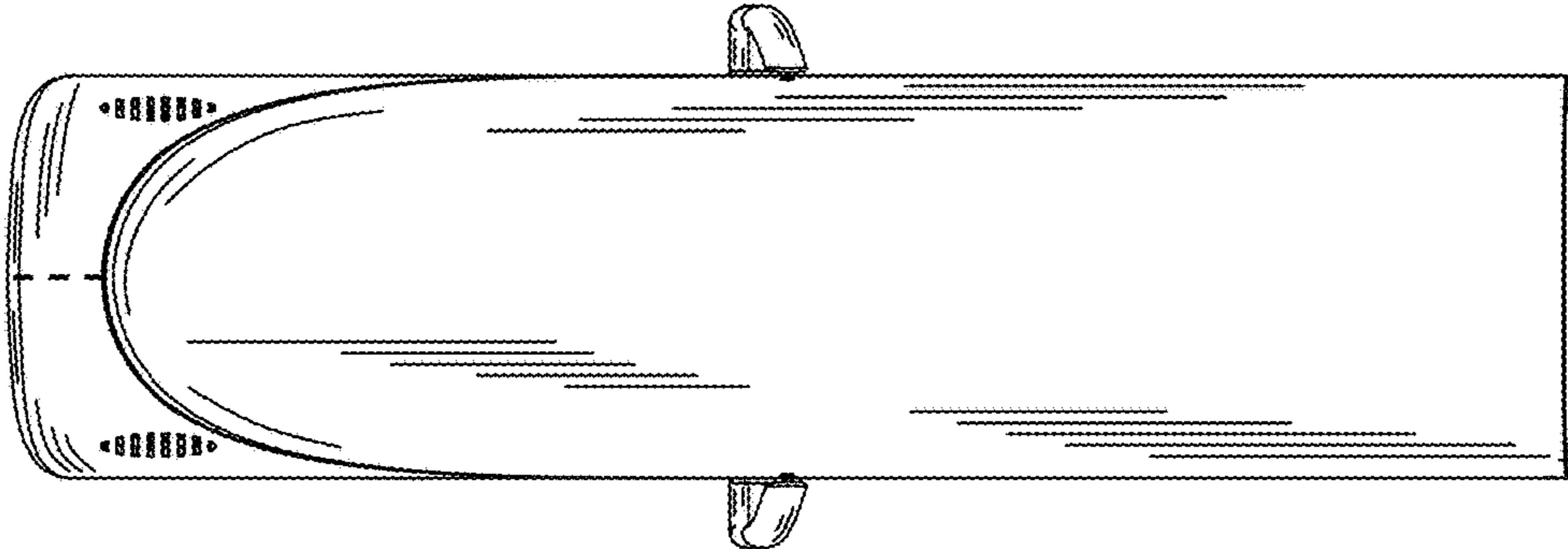


FIG. 3

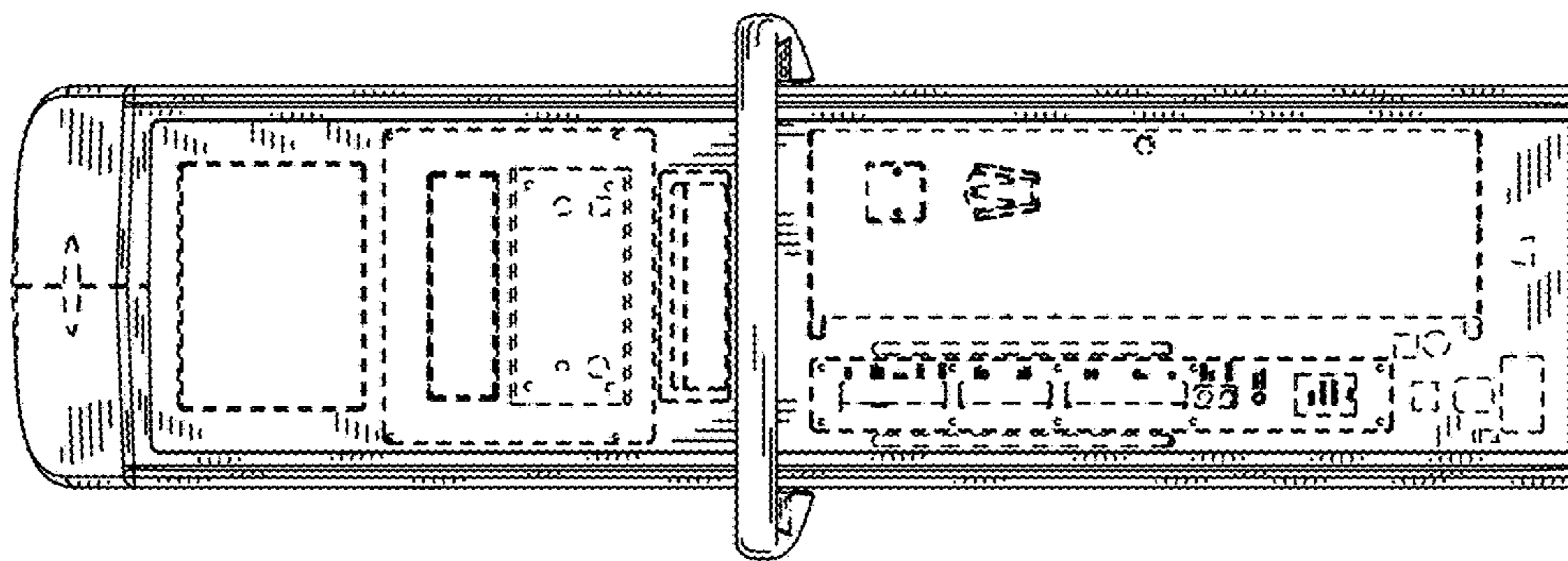


FIG. 4

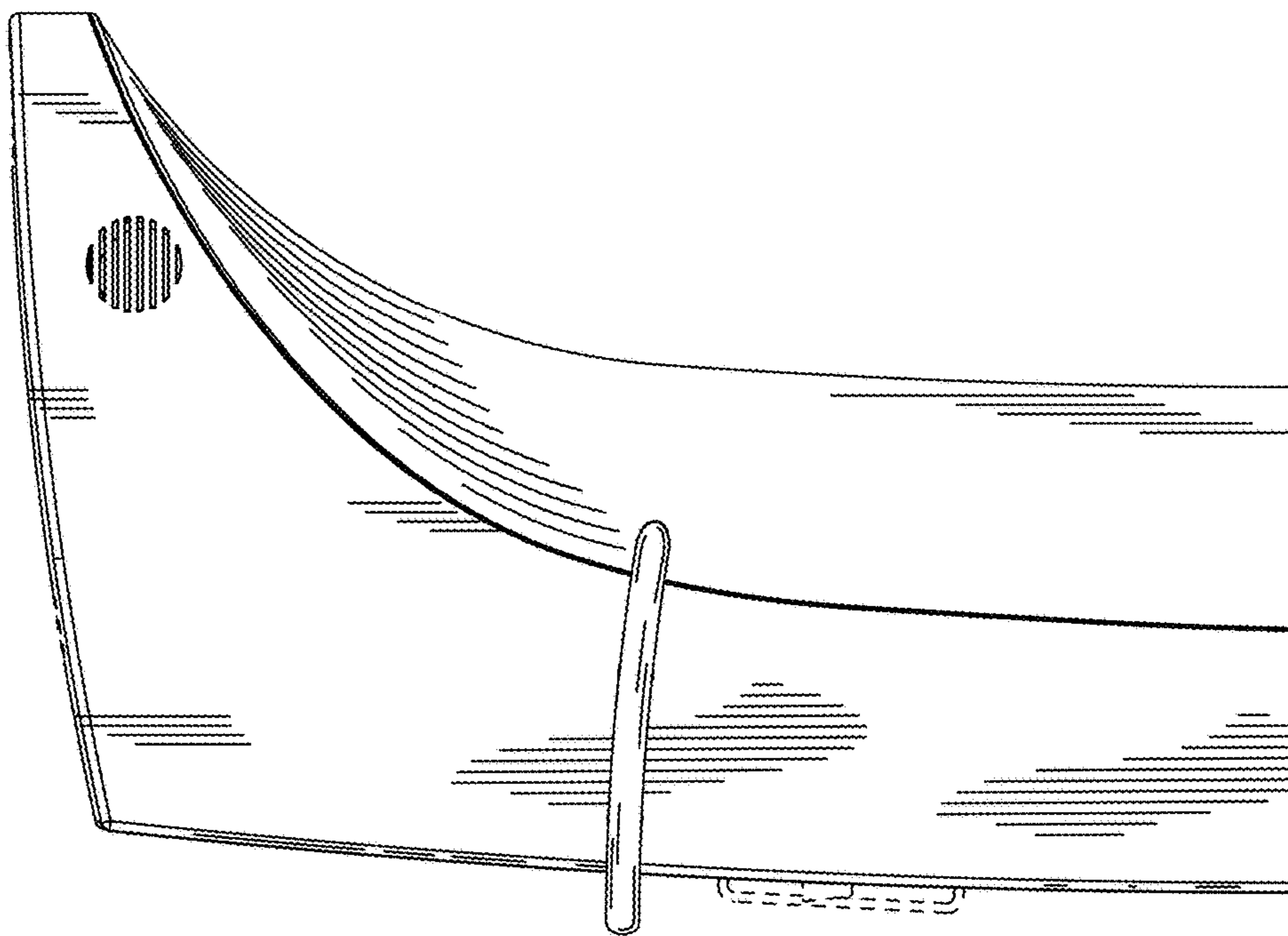


FIG. 5

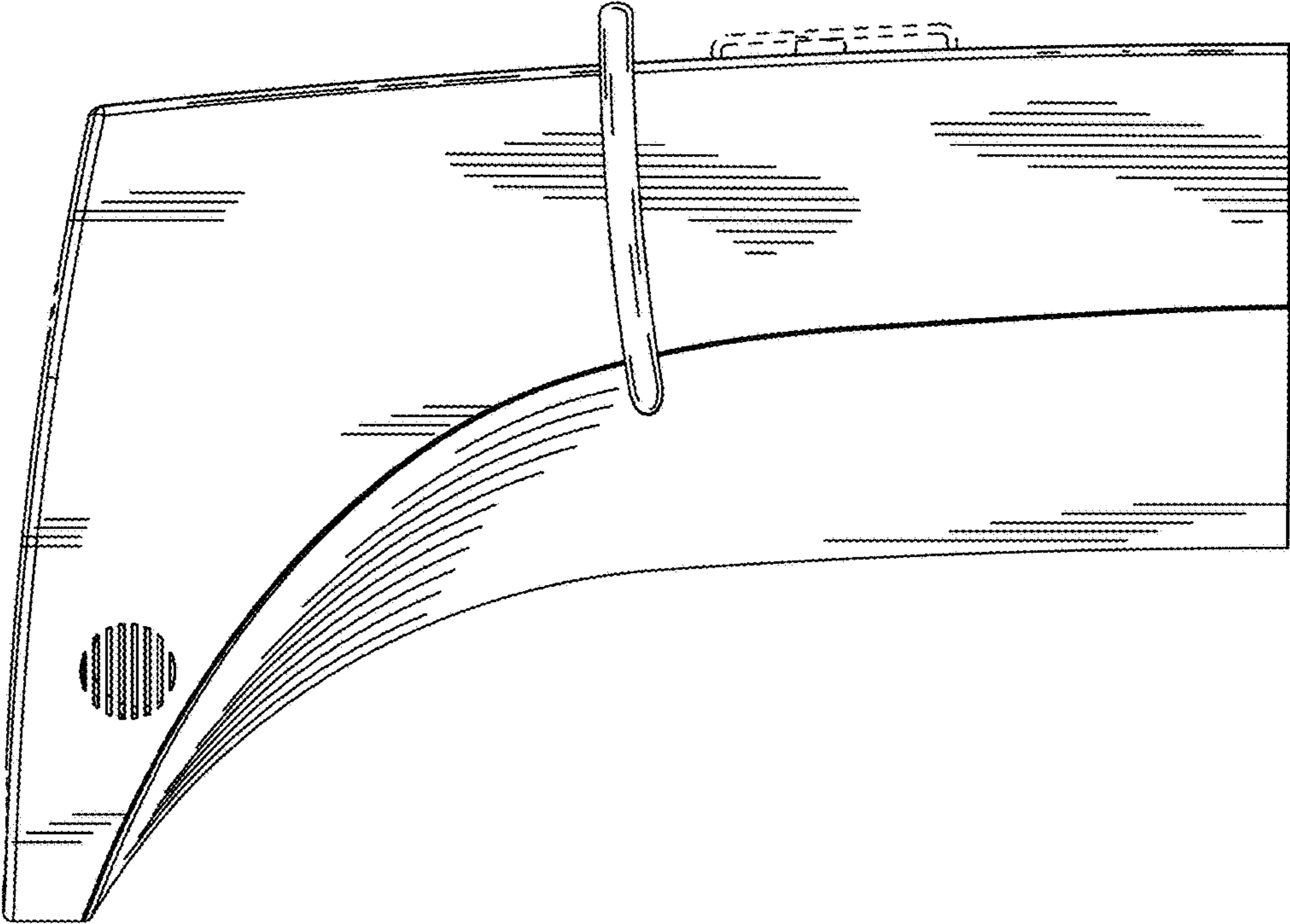


FIG. 6

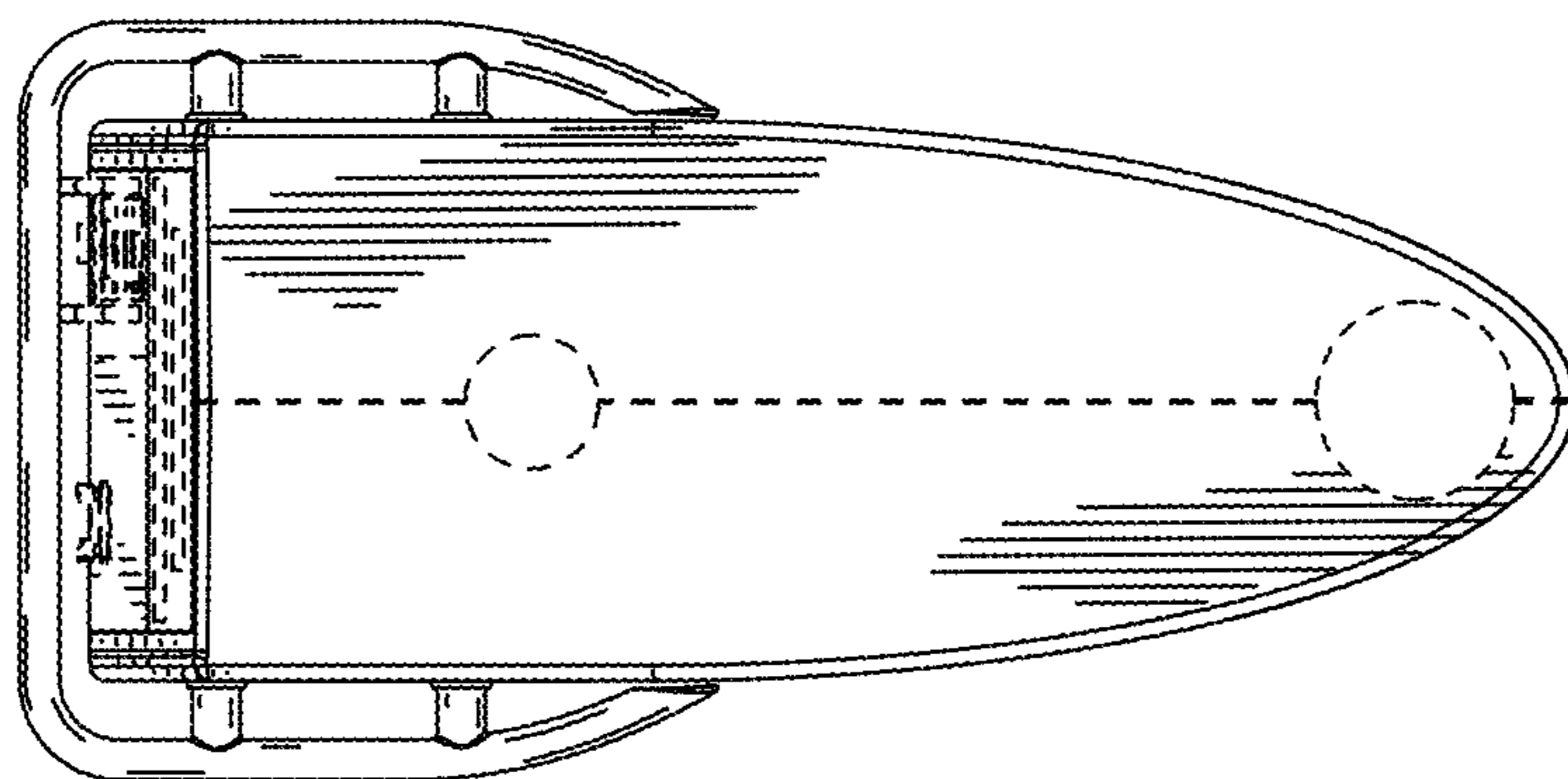


FIG. 7