



US00D797831S

(12) **United States Design Patent** (10) **Patent No.:** **US D797,831 S**  
**Ducommun et al.** (45) **Date of Patent:** **\*\* Sep. 19, 2017**

(54) **MICROSCOPE** 42/130, 134–145, 124; 225/414; 356/29,  
356/139, 2, 250, 251, 252, 138; 89/41,  
89/19, 161, 200–204; 350/550;  
250/467.1

(71) Applicants: **CENTRE HOSPITALIER  
UNIVERSITAIRE DE TOULOUSE,**  
Toulouse (FR); **UNIVERSITE PAUL  
SABATIER—TOULOUSE III,**  
Toulouse (FR); **CENTRE NATIONAL  
DE LA RECHERCHE  
SCIENTIFIQUE,** Paris (FR)

CPC ..... F41G 3/08  
See application file for complete search history.

(72) Inventors: **Bernard Ducommun,** Belberaud (FR);  
**Valerie Lobjois,** Pujaudran (FR);  
**Corinne Lorenzo,** Venerque (FR)

(56) **References Cited**

U.S. PATENT DOCUMENTS

(73) Assignees: **Centre Hospitalier Universitaire De  
Toulous,** Toulouse (FR); **Universite  
Paul Sabatier—Toulouse III,** Toulouse  
(FR); **Centre National De La  
Recherche,** Paris (FR)

D249,270	S	*	9/1978	Feinbloom	.....	D16/131
D253,059	S	*	10/1979	Speaker	.....	D16/131
D289,410	S	*	4/1987	Feinbloom	.....	D16/131
D638,046	S	*	5/2011	Noda	.....	D16/131
D656,978	S	*	4/2012	Stoiakine	.....	D16/131
D674,830	S	*	1/2013	Stoiakine	.....	D16/131
D697,118	S	*	1/2014	Okuyama	.....	D16/131
D708,244	S	*	7/2014	Matoba	.....	D16/131
D737,510	S	*	8/2015	Wright	.....	D28/40
2004/0226574	A1	*	11/2004	Winn	.....	A45D 8/22 132/277
2008/0216862	A1	*	9/2008	Silva	.....	A45D 8/20 132/277

(\*\*) Term: **14 Years**

(Continued)

(21) Appl. No.: **29/516,160**

*Primary Examiner* — Susan Bennett Hattan

(22) Filed: **Jan. 29, 2015**

*Assistant Examiner* — Jennifer Wright

(30) **Foreign Application Priority Data**

(74) *Attorney, Agent, or Firm* — Sheridan Ross P.C.

Aug. 1, 2014	(FR)	.....	143480
Aug. 1, 2014	(FR)	.....	143481
Aug. 1, 2014	(FR)	.....	143482
Aug. 1, 2014	(FR)	.....	143483
Aug. 1, 2014	(FR)	.....	143484

(57) **CLAIM**

The ornamental design for a microscope, as shown and described.

(51) **LOC (10) Cl.** ..... **16-06**

**DESCRIPTION**

(52) **U.S. Cl.**  
USPC ..... **D16/131**

FIG. 1 is a front perspective view of the microscope showing the new design;

(58) **Field of Classification Search**  
USPC ..... 359/375–395, 428, 424; D16/130–136;  
D22/100, 108, 109, 110, 199; 33/297,  
33/298, 227, 299; 42/111, 112, 113, 122,

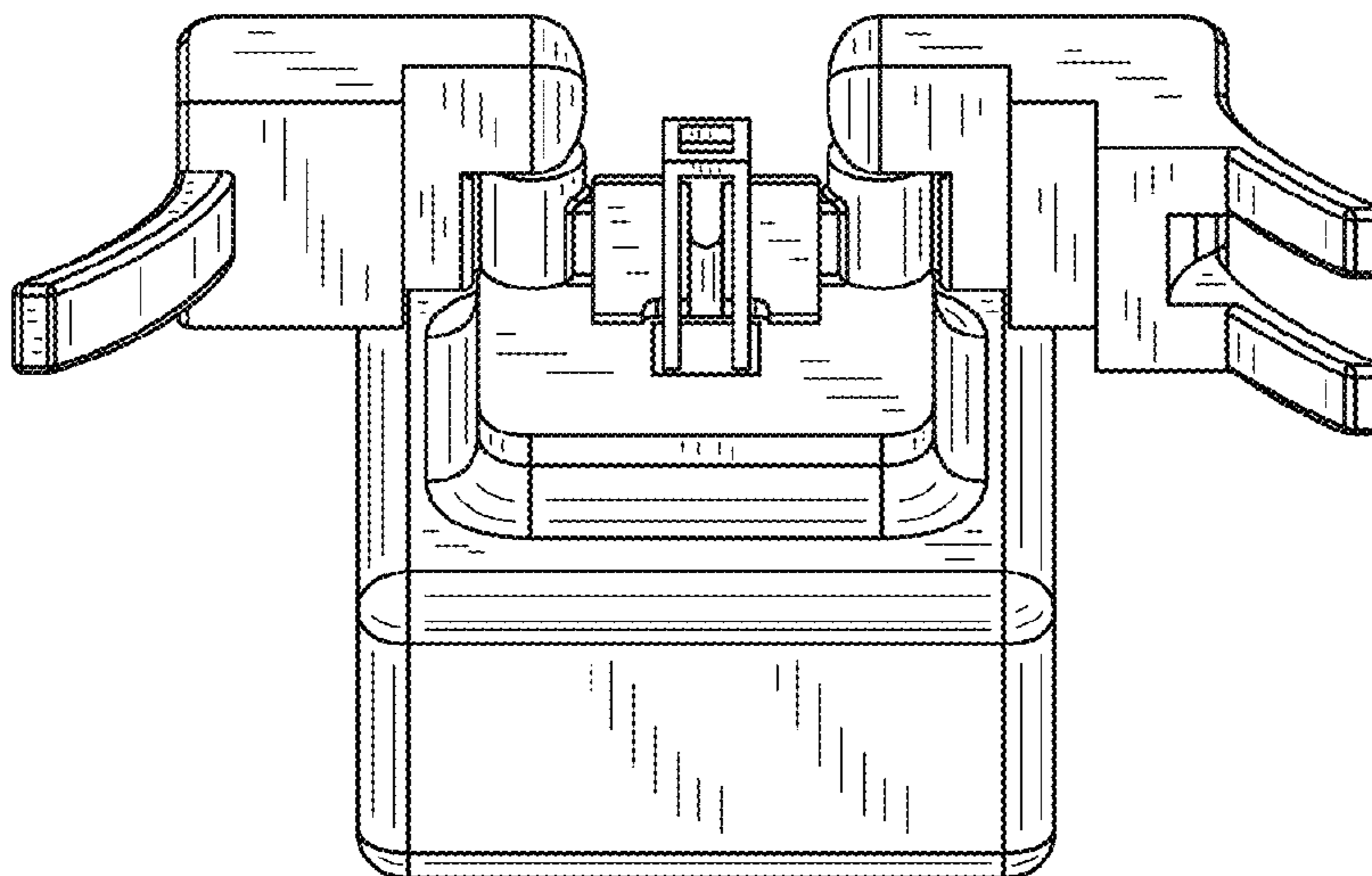
FIG. 2 is another front perspective view thereof;

FIG. 3 is a left perspective view thereof;

FIG. 4 is a right perspective view thereof with the side elements in a position similar to FIG. 3; and,

FIG. 5 is another left perspective view thereof, wherein side elements are in a closed position of use.

**1 Claim, 5 Drawing Sheets**



(56)

**References Cited**

U.S. PATENT DOCUMENTS

2015/0022883 A1\* 1/2015 Staples ..... G02B 21/084  
359/387

\* cited by examiner

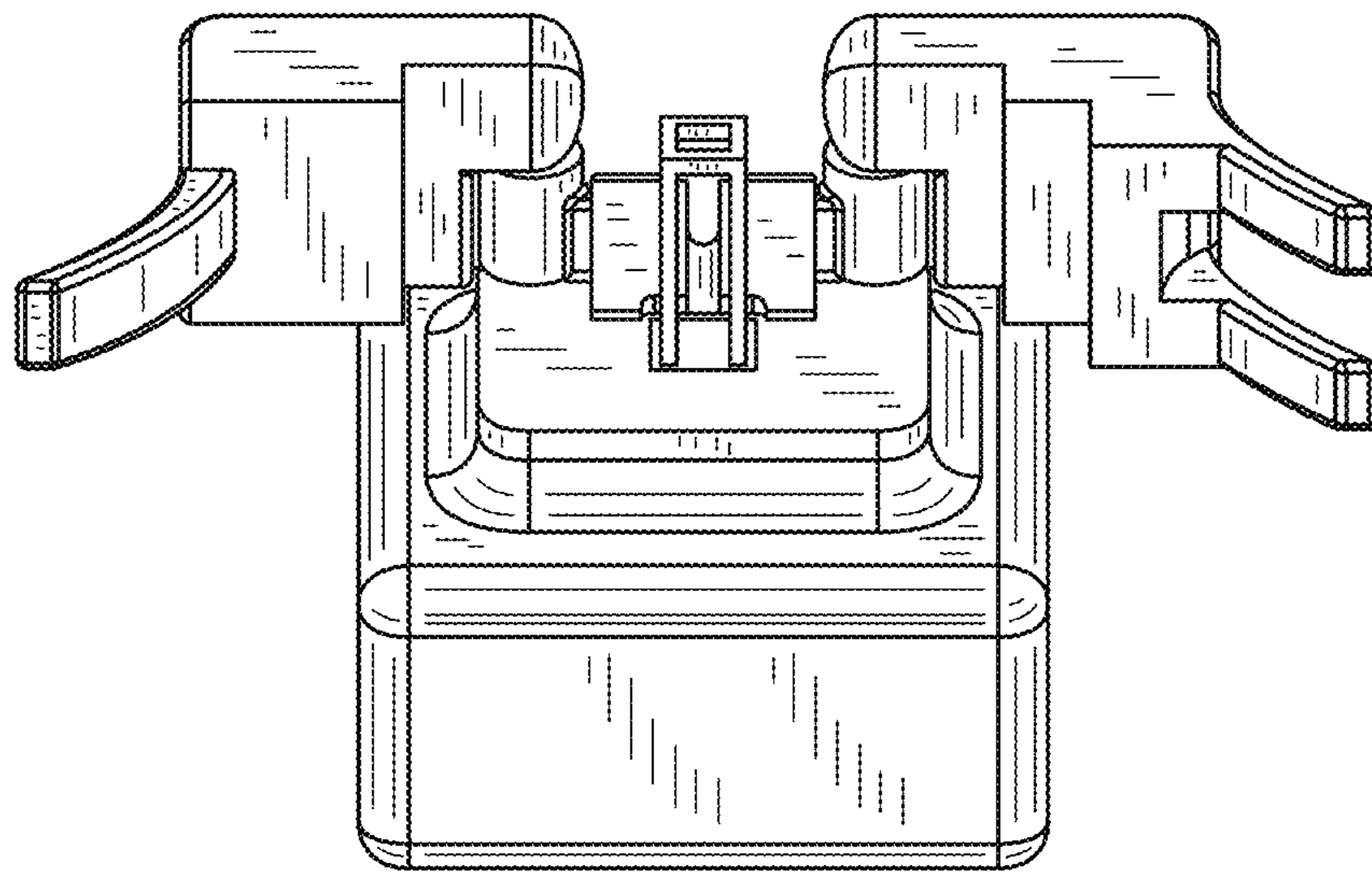


FIG.1

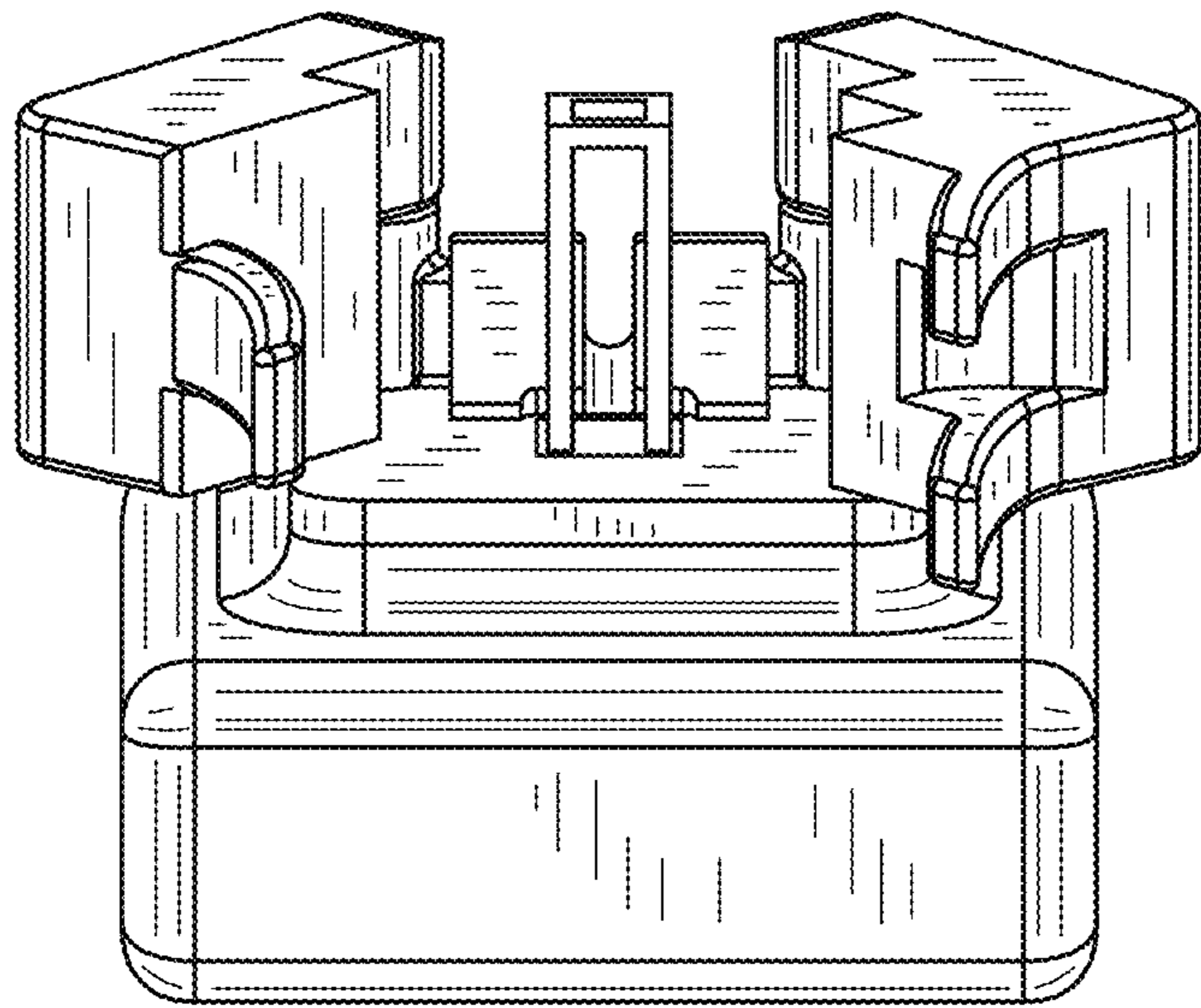


FIG.2

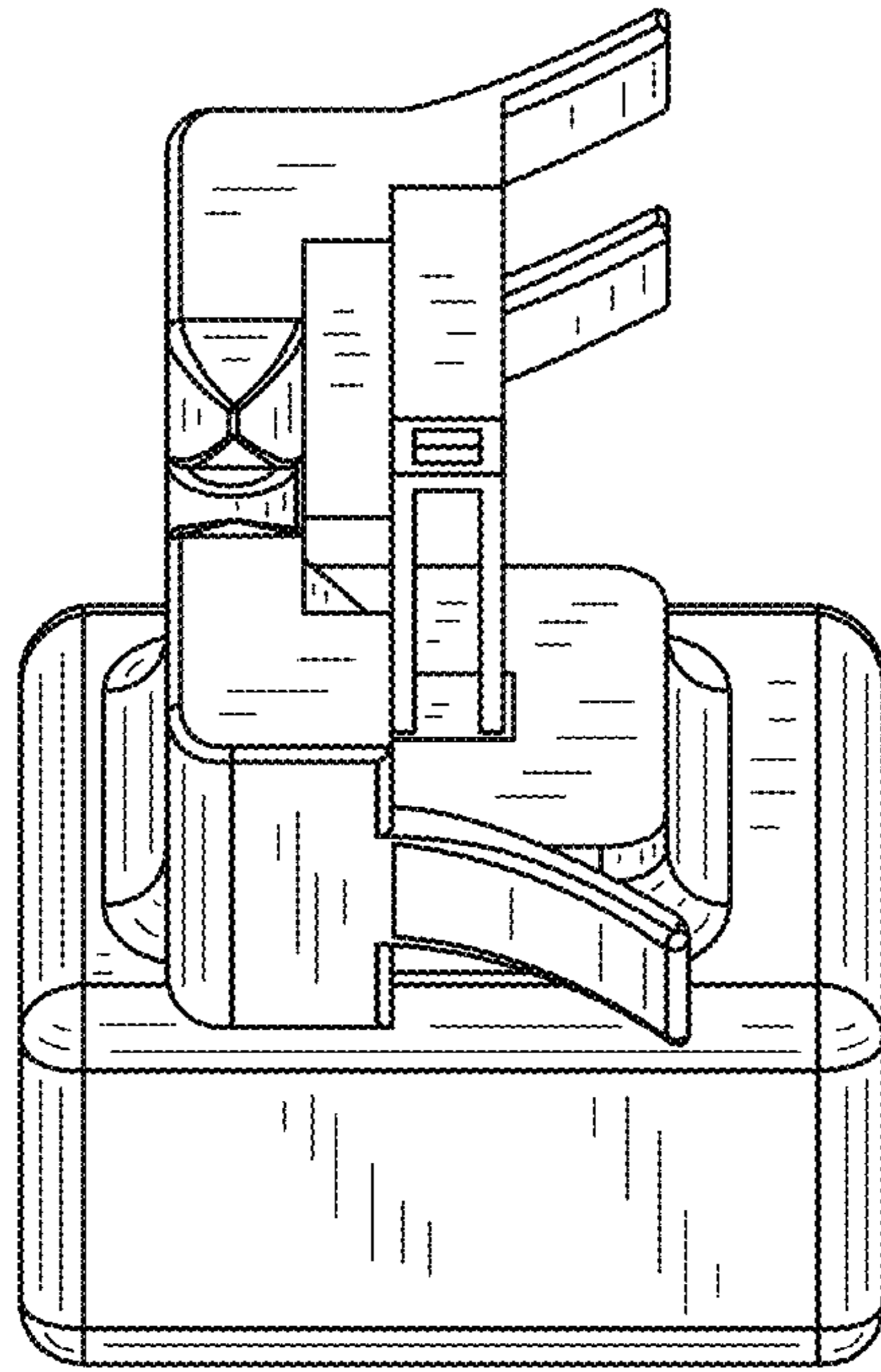


FIG.3

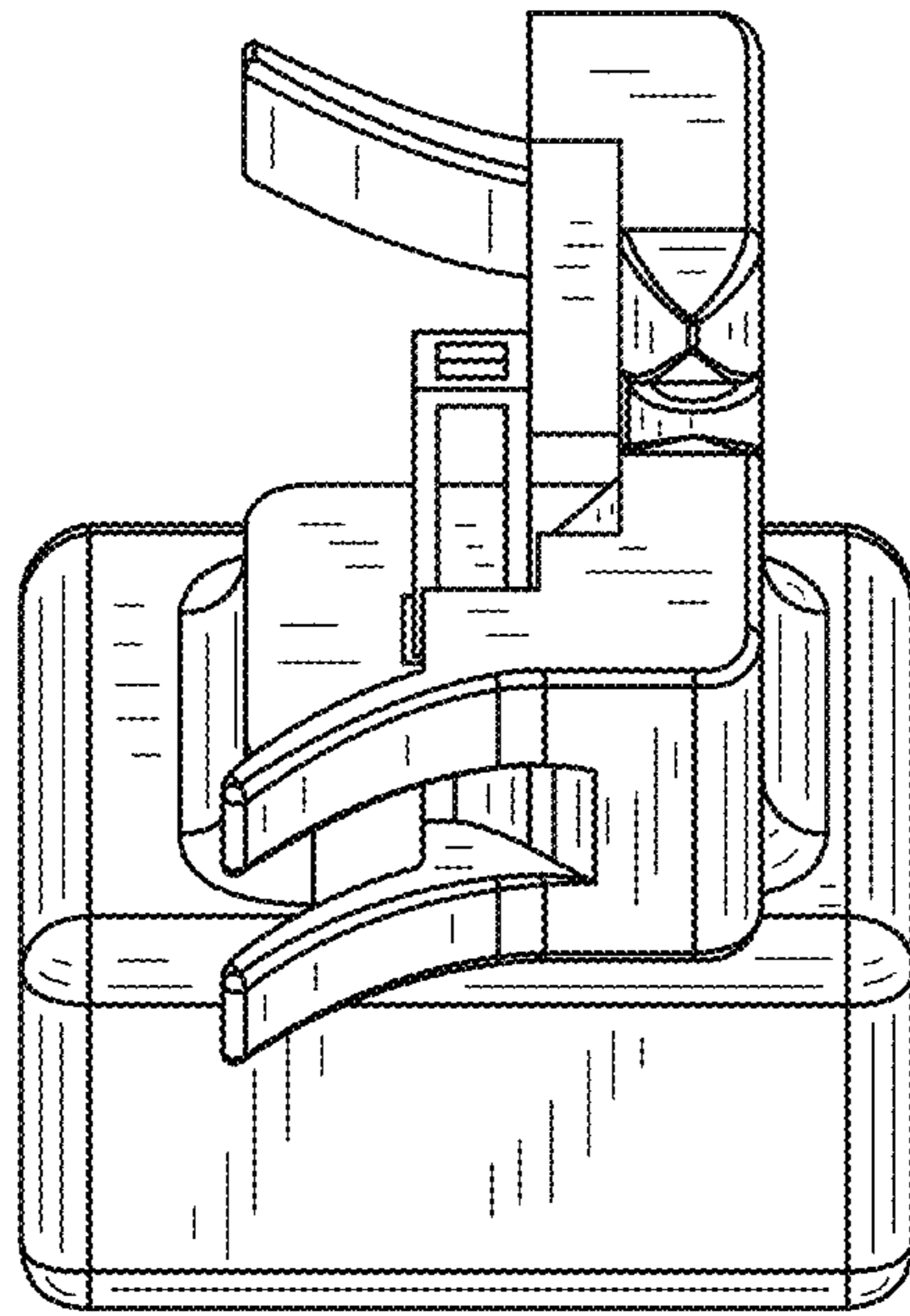


FIG.4

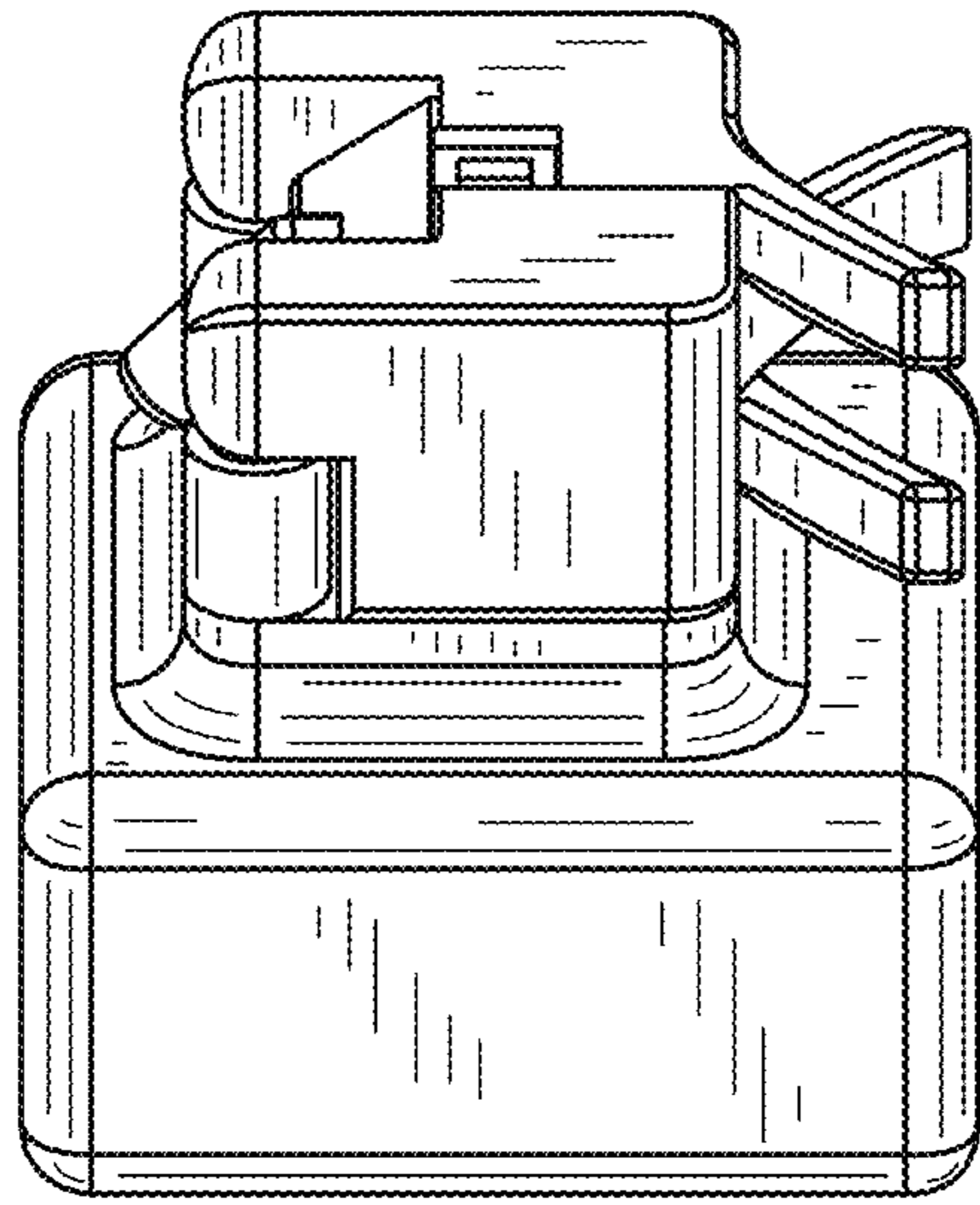


FIG.5