



US00D797830S

(12) **United States Design Patent** (10) **Patent No.:** **US D797,830 S**  
**Wildsmith et al.** (45) **Date of Patent:** **\*\* Sep. 19, 2017**

- (54) **CONTACT LENS**
- (71) Applicant: **Johnson & Johnson Vision Care, Inc.**,  
Jacksonville, FL (US)
- (72) Inventors: **Christopher Wildsmith**, Jacksonville,  
FL (US); **Michael F. Widman**,  
Jacksonville, FL (US)
- (73) Assignee: **Johnson & Johnson Vision Care, Inc.**,  
Jacksonville, FL (US)
- (\*\*) Term: **15 Years**
- (21) Appl. No.: **29/557,213**
- (22) Filed: **Mar. 7, 2016**
- (51) **LOC (10) Cl.** ..... **16-06**
- (52) **U.S. Cl.**  
USPC ..... **D16/101**
- (58) **Field of Classification Search**  
USPC ..... D16/101, 300-342, 900; D29/109-110;  
D21/483, 659-661; D14/372; 351/41,  
351/44, 45-48, 51-52, 62, 158, 92,  
351/103-123, 140-153, 63, 59; 2/13, 15,  
2/426-432, 447-449, 441, 434-437  
CPC ..... G02C 2200/08; G02C 1/06; G02C 5/14;  
G02C 11/02; G02C 11/04; G02C 5/16;  
G02C 2200/22; G02C 5/146; G02C  
5/2254; G02C 5/008; G01C 5/16; A61M  
2021/0044; A63B 33/002  
See application file for complete search history.

- (56) **References Cited**  
U.S. PATENT DOCUMENTS  
D211,757 S \* 7/1968 Urbach ..... 351/159.02  
D374,246 S \* 10/1996 Konopka ..... D16/331  
D416,923 S \* 11/1999 Jahnke ..... D16/101  
D447,158 S \* 8/2001 Hsu ..... D16/101  
D507,803 S \* 7/2005 Norbury ..... D16/101

D548,225 S *	8/2007	Oliver	.....	D14/230
D556,228 S *	11/2007	Lam	.....	D16/101
7,441,892 B2	10/2008	Hsu		
D616,005 S *	5/2010	Peng	.....	D16/101
D623,675 S *	9/2010	Peng	.....	D16/101
D624,105 S *	9/2010	Peng	.....	D16/101
D671,580 S *	11/2012	Fahy	.....	D16/101
D681,086 S *	4/2013	Christie	.....	D16/101
8,636,357 B2	1/2014	Chehab et al.		
D751,615 S *	3/2016	Hachnochi	.....	D16/101
D754,861 S *	4/2016	O'Driscoll	.....	D16/101
D755,868 S *	5/2016	Wright	.....	D16/101
D755,869 S *	5/2016	Wright	.....	D16/101
D755,870 S *	5/2016	Wright	.....	D16/101
D755,871 S *	5/2016	Wright	.....	D16/101
D755,872 S *	5/2016	Bowers	.....	D16/101
D756,432 S *	5/2016	Wright	.....	D16/101
D756,433 S *	5/2016	Bowers	.....	D16/101
D756,434 S *	5/2016	Bowers	.....	D16/101
D757,145 S *	5/2016	Bowers	.....	D16/101
D765,751 S *	9/2016	Bowers	.....	D16/101
2016/0054593 A1 *	2/2016	Flitsch	.....	G02C 11/10 351/158

\* cited by examiner

*Primary Examiner* — Eric Goodman  
*Assistant Examiner* — Sanjeev Paul

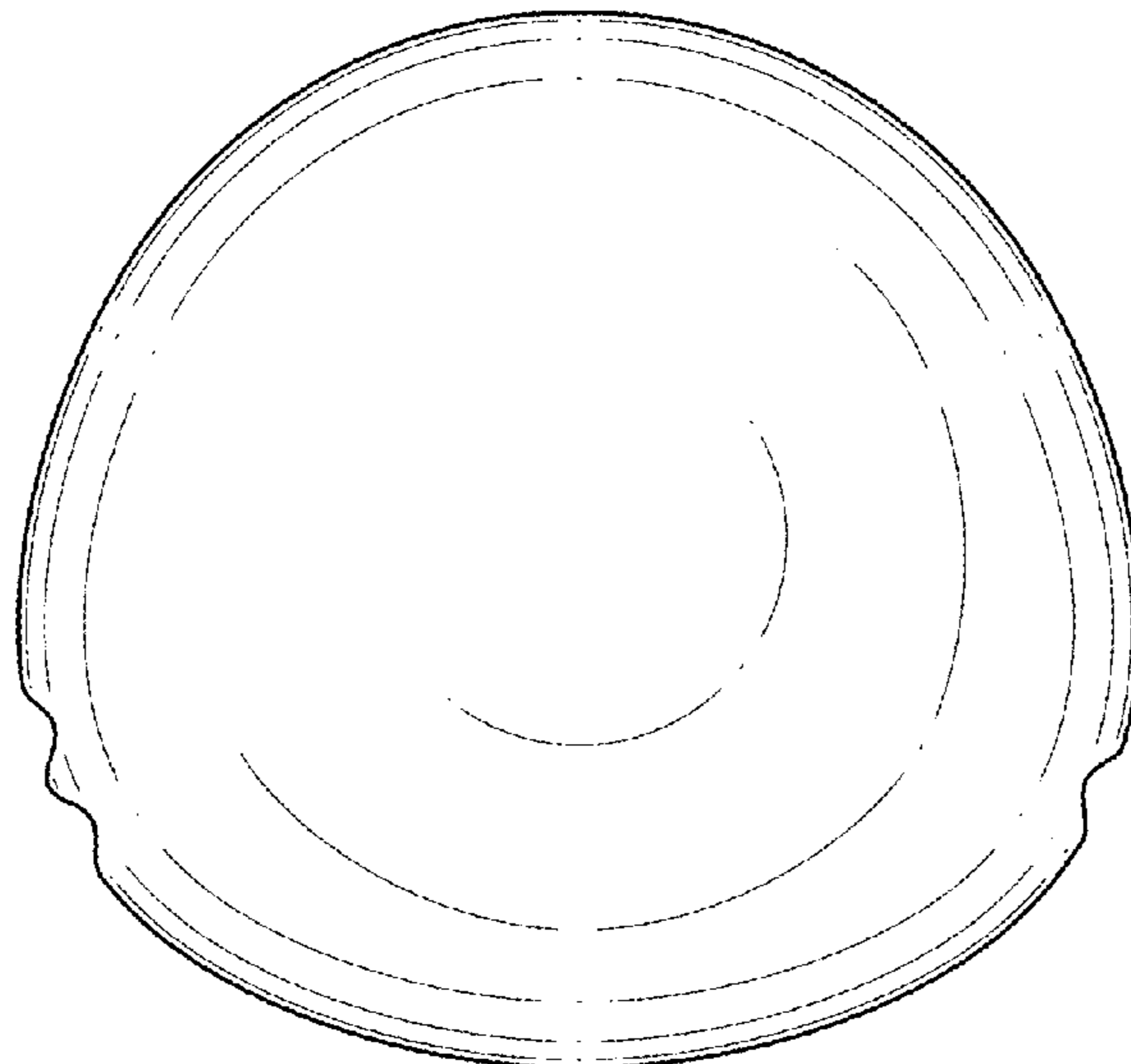
(57) **CLAIM**

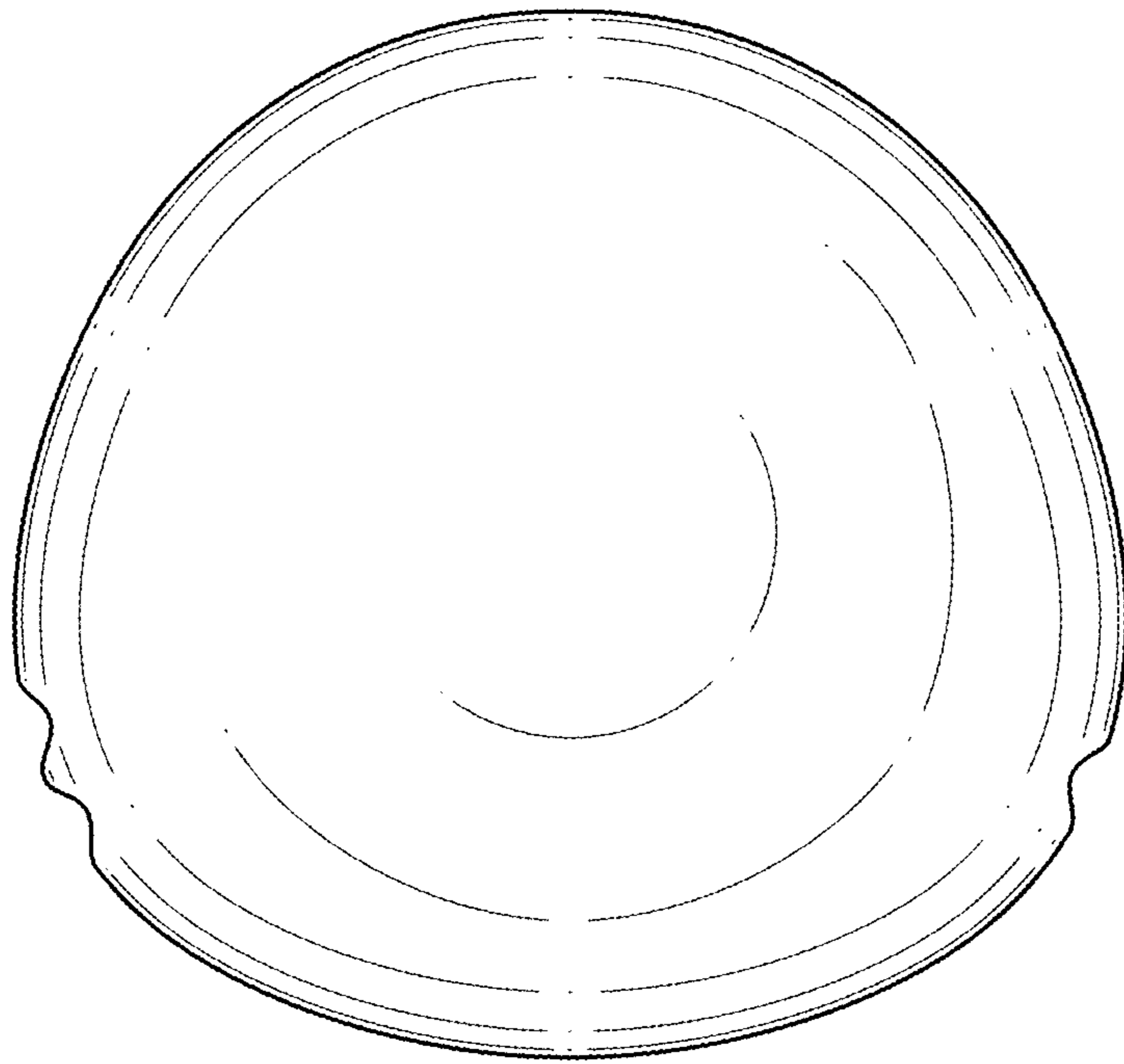
The ornamental design for a contact lens, as shown and described.

**DESCRIPTION**

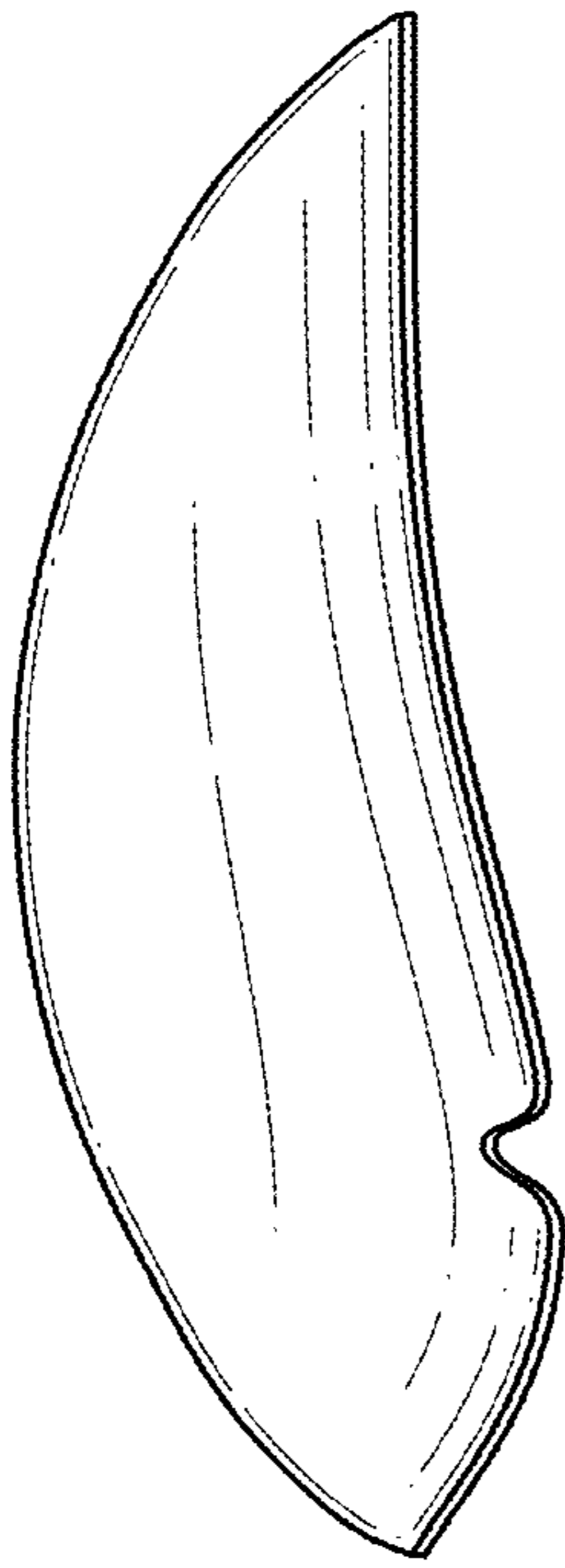
FIG. 1 is a top view of a contact lens with its convex side down showing the new design;  
FIG. 2 is a side view of the contact lens of FIG. 1;  
FIG. 3 is an alternate side view of the contact lens of FIG. 1;  
FIG. 4 is a rear view of the contact lens of FIG. 1 with its convex side up; and,  
FIG. 5 is a front view of the contact lens of FIG. 1.

**1 Claim, 3 Drawing Sheets**

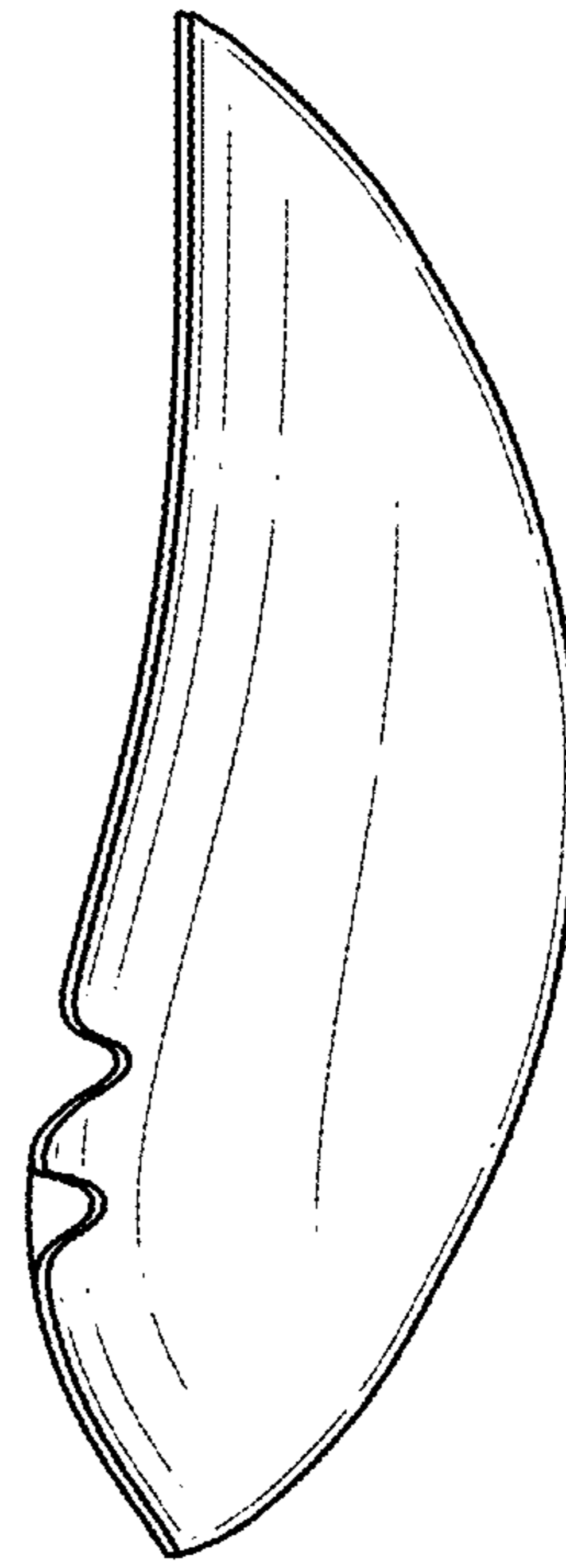




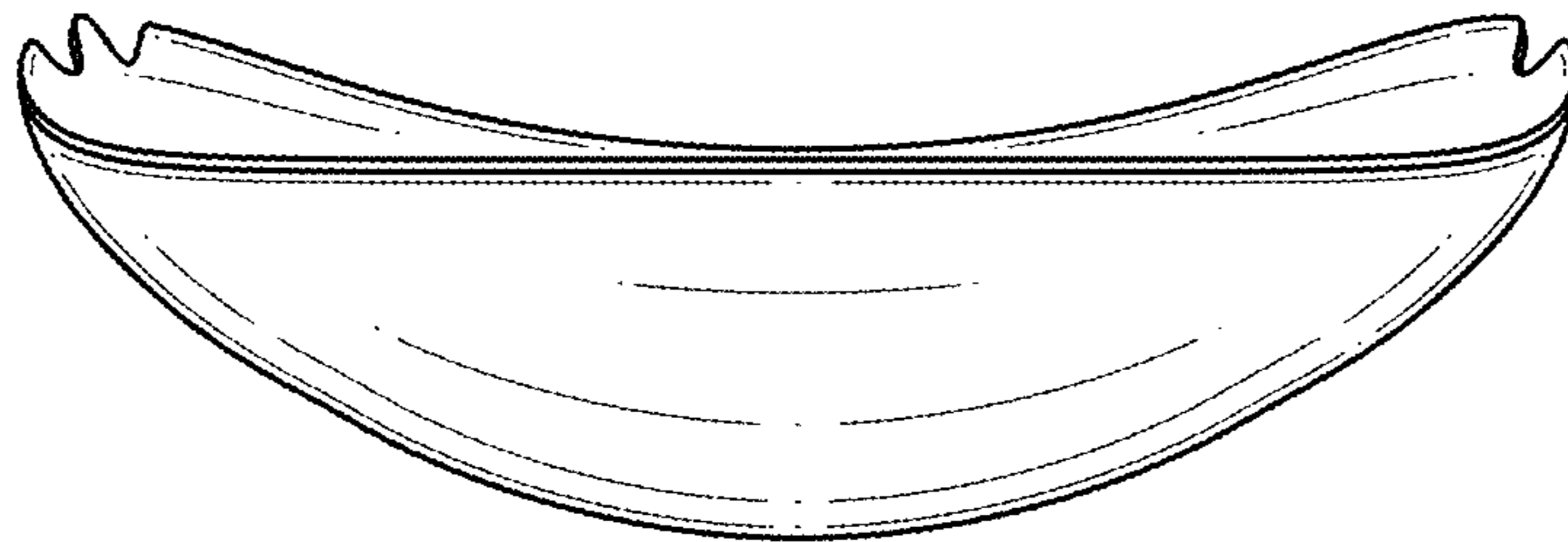
**FIG. 1**



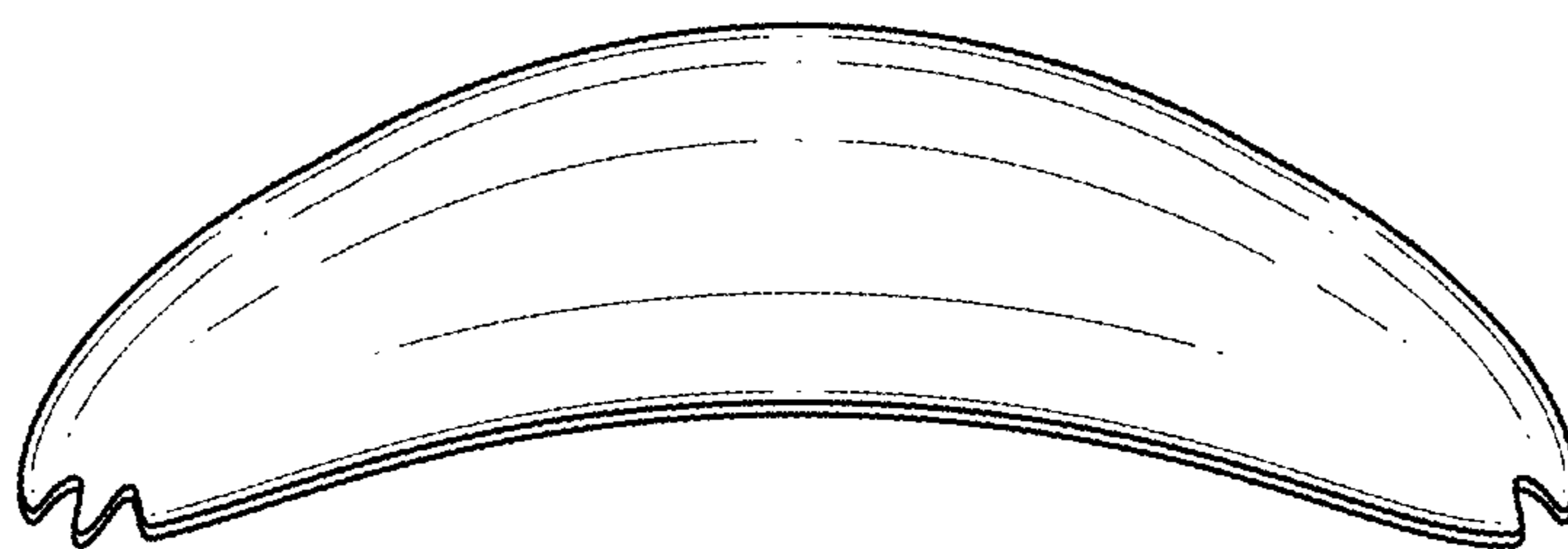
**FIG. 2**



**FIG. 3**



**FIG. 4**



**FIG. 5**