



US00D797828S

(12) **United States Design Patent** (10) **Patent No.:** **US D797,828 S**
Nakamura et al. (45) **Date of Patent:** **** Sep. 19, 2017**

(54) **REDUCTION GEAR**

(71) Applicant: **NABTESCO CORPORATION**, Tokyo (JP)

(72) Inventors: **Koji Nakamura**, Tsu (JP); **Masahiro Takahashi**, Tsu (JP)

(73) Assignee: **NABTESCO CORPORATION** (JP)

(**) Term: **15 Years**

(21) Appl. No.: **29/570,885**

(22) Filed: **Jul. 13, 2016**

(30) **Foreign Application Priority Data**

Jan. 15, 2016 (JP) D2016-000723

(51) **LOC (10) Cl.** **15-99**

(52) **U.S. Cl.**
USPC **D15/149**

(58) **Field of Classification Search**
USPC D8/17, 21, 25, 29; D15/5, 148, 149
CPC F16H 63/44; F16H 57/033; F16H 3/666;
B25F 5/001

See application file for complete search history.

(56) **References Cited**

U.S. PATENT DOCUMENTS

D461,481 S * 8/2002 Carlson D12/123
D549,258 S * 8/2007 Zhu D15/148
D743,223 S * 11/2015 Chang D8/25
D749,384 S * 2/2016 Chang D8/25
D757,524 S * 5/2016 Eide D8/360

OTHER PUBLICATIONS

Cycloidal Designed Gearboxes, posted on nabtescomotioncontrol.com, no posted date given, no production date given, [online], [site visited May 8, 2017], Available from Internet, <URL: http://www.nabtescomotioncontrol.com/>.*

RV-N Standard Inline Cycloidal Gear Reducer, posted on dpbrownntech.com, copyrighted 2015, no production date given, [online], [site visited May 8, 2017], Available from Internet, <URL: http://www.dpbrownntech.com/products/nabtesco/rv-n.php>.*

Cycloidal gears, gear cutter, cycloidal reducer, posted on ringgearandpinionss.blogspot.com, posted Sep. 19, 2014, no production date given, [online], [site visited May 8, 2017], Available from Internet, <URL: http://ringgearandpinionss.blogspot.com/>.*

Compact Cycloidal Gears Vigo Drive RV-N and RH-N, posted on worldindustrialreporter.com, posted Aug. 31, 2015, no production date given, [online], [site visited May 8, 2017], Available from Internet, <URL: https://worldindustrialreporter.com/compact-cycloidal-gears-vigo-drive-ry-n-and-rh-n/>.*

* cited by examiner

Primary Examiner — Melanie H Tung

Assistant Examiner — Fritzgerald Butac

(74) *Attorney, Agent, or Firm* — Gerald E. Hespos; Michael J. Porco; Matthew T. Hespos

(57) **CLAIM**

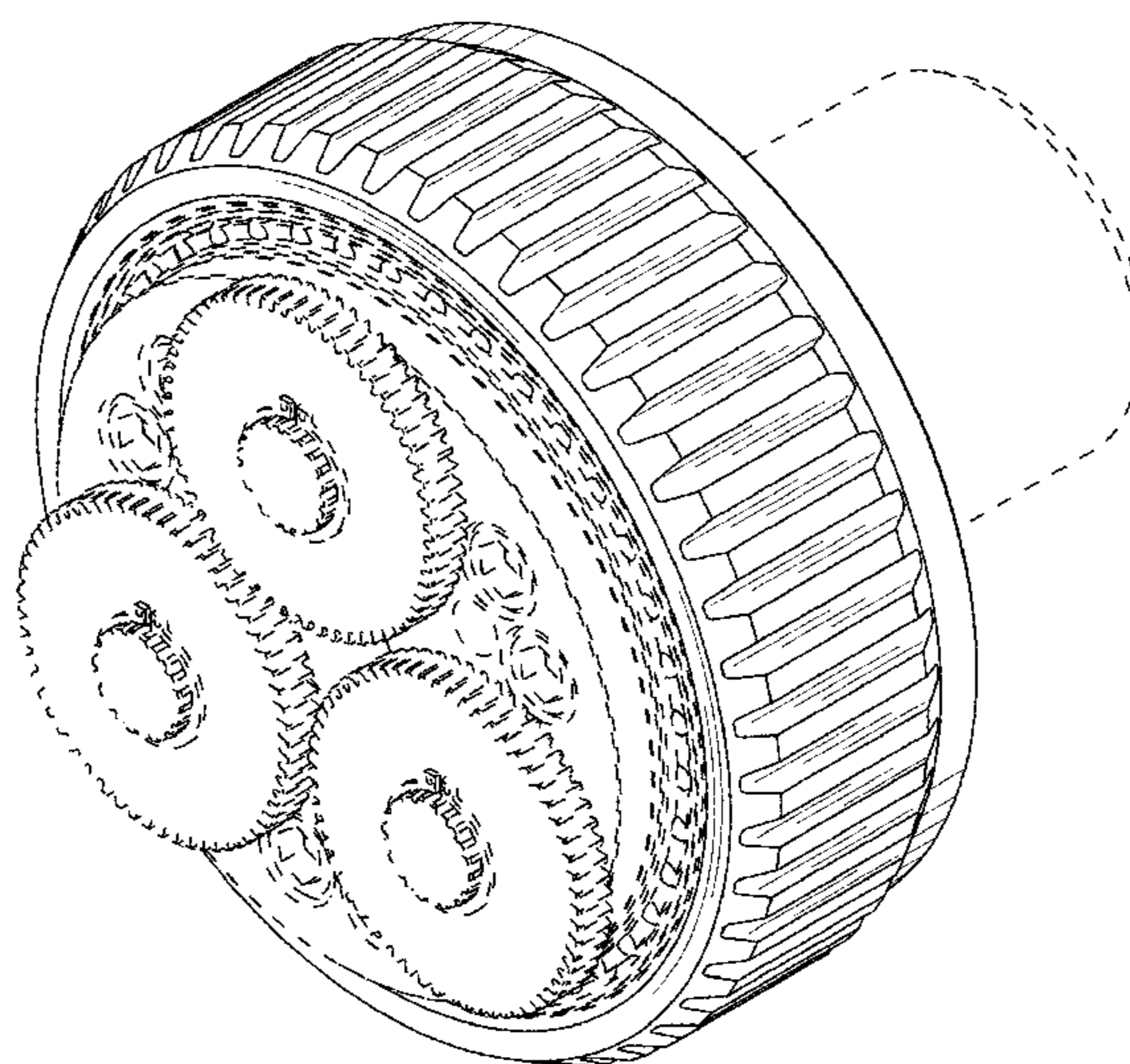
The ornamental design for a reduction gear, as shown and described.

DESCRIPTION

FIG. 1 is a first perspective view of a reduction gear; FIG. 2 is a second perspective view thereof; FIG. 3 is a front view thereof; FIG. 4 is a rear view thereof; FIG. 5 is a left side view thereof, the opposite side being a mirror image of the side shown herein; FIG. 6 is a top view thereof; and, FIG. 7 is a bottom view thereof.

The broken lines depict portions of the reduction gear in which the design is embodied that are not considered part of the claimed design.

1 Claim, 7 Drawing Sheets



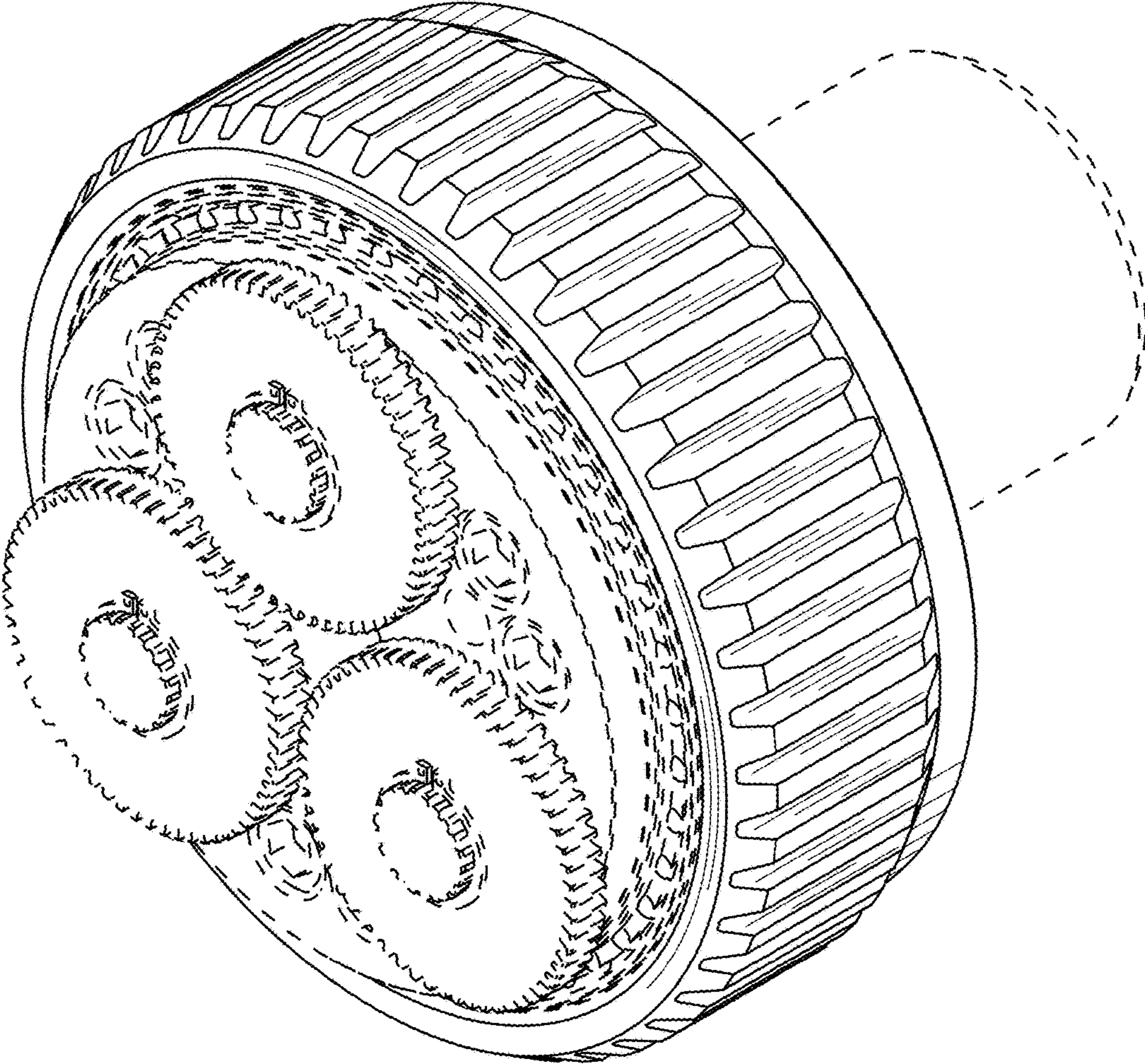


FIG. 1

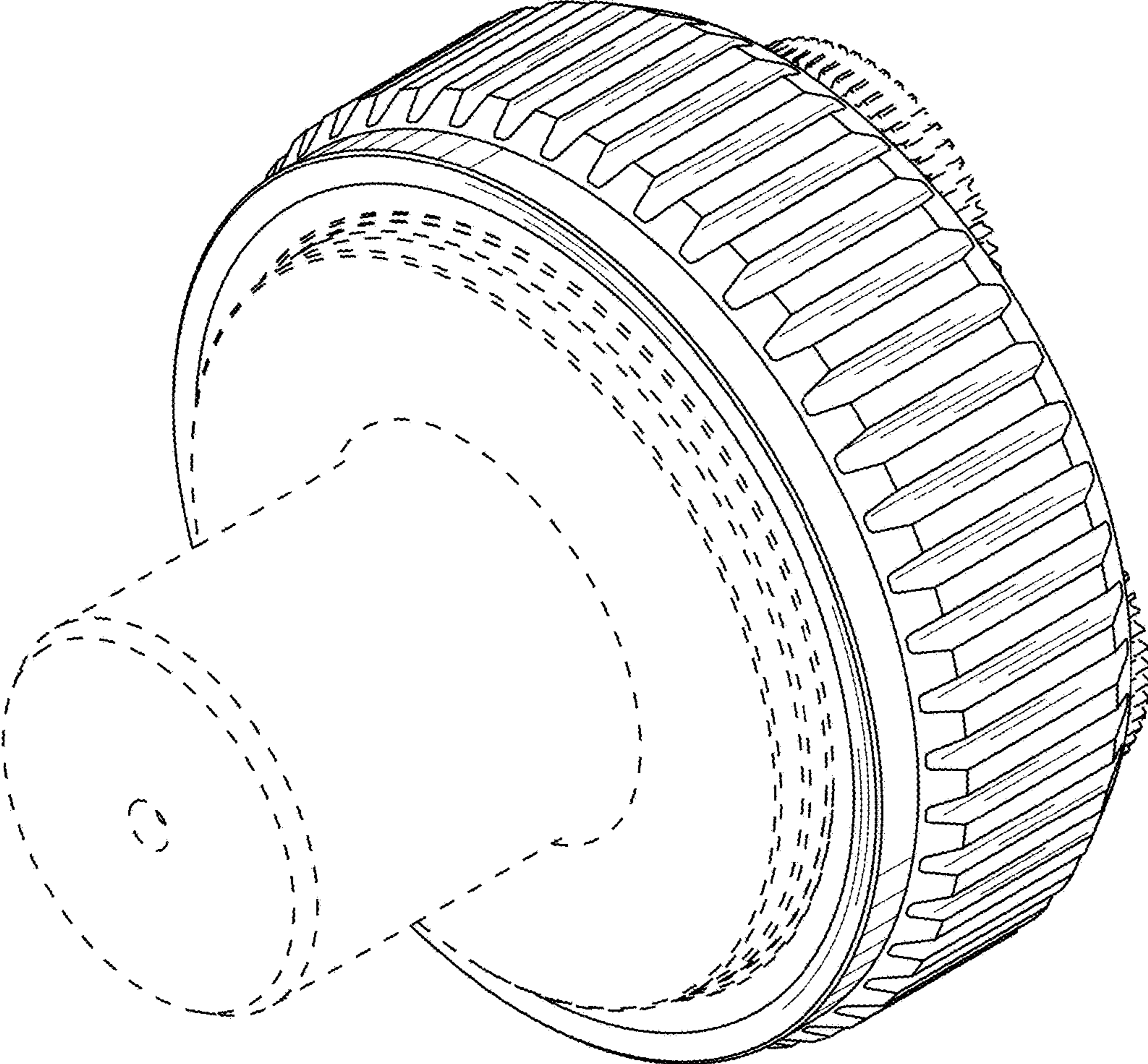


FIG.2

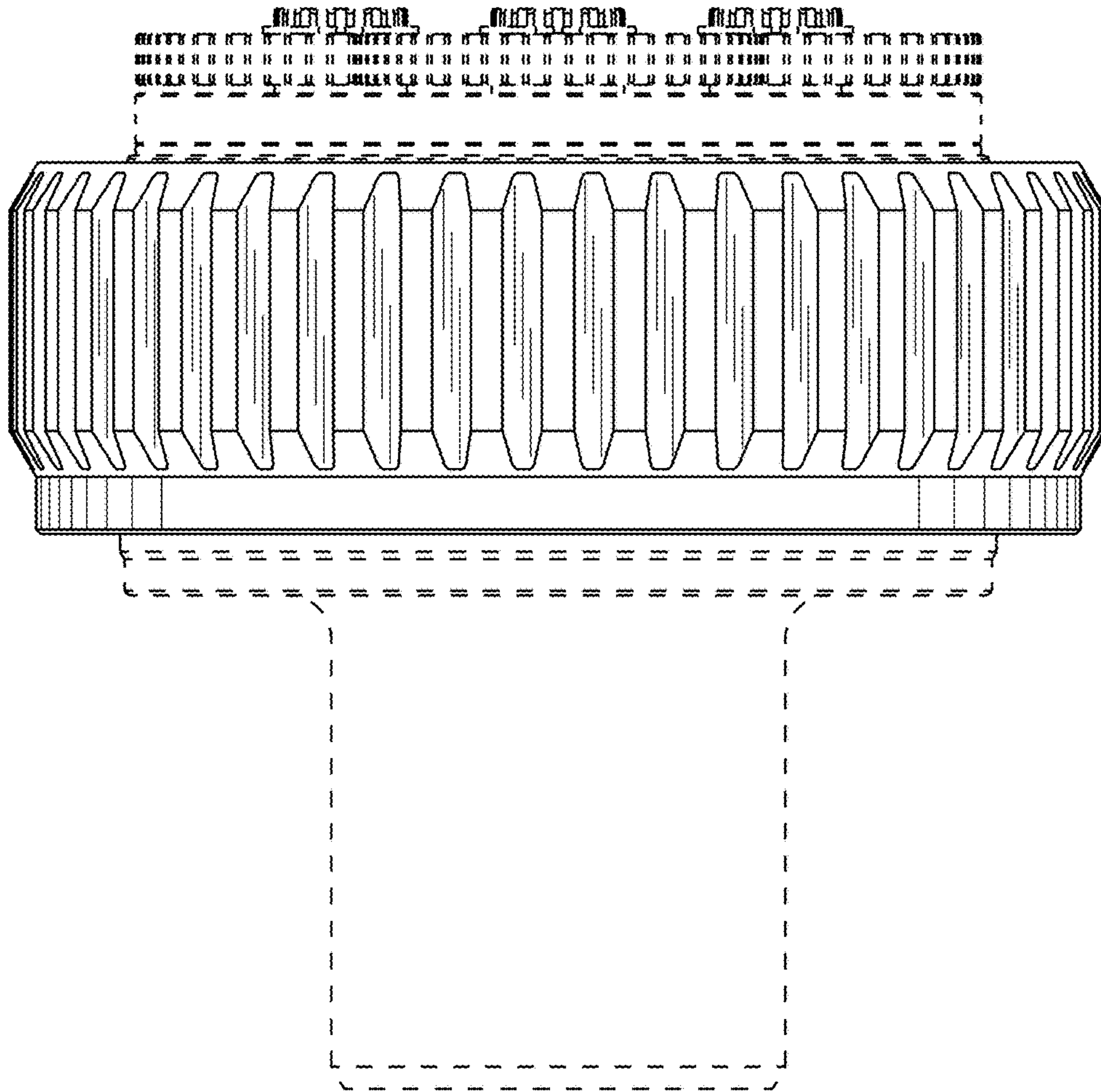


FIG.3

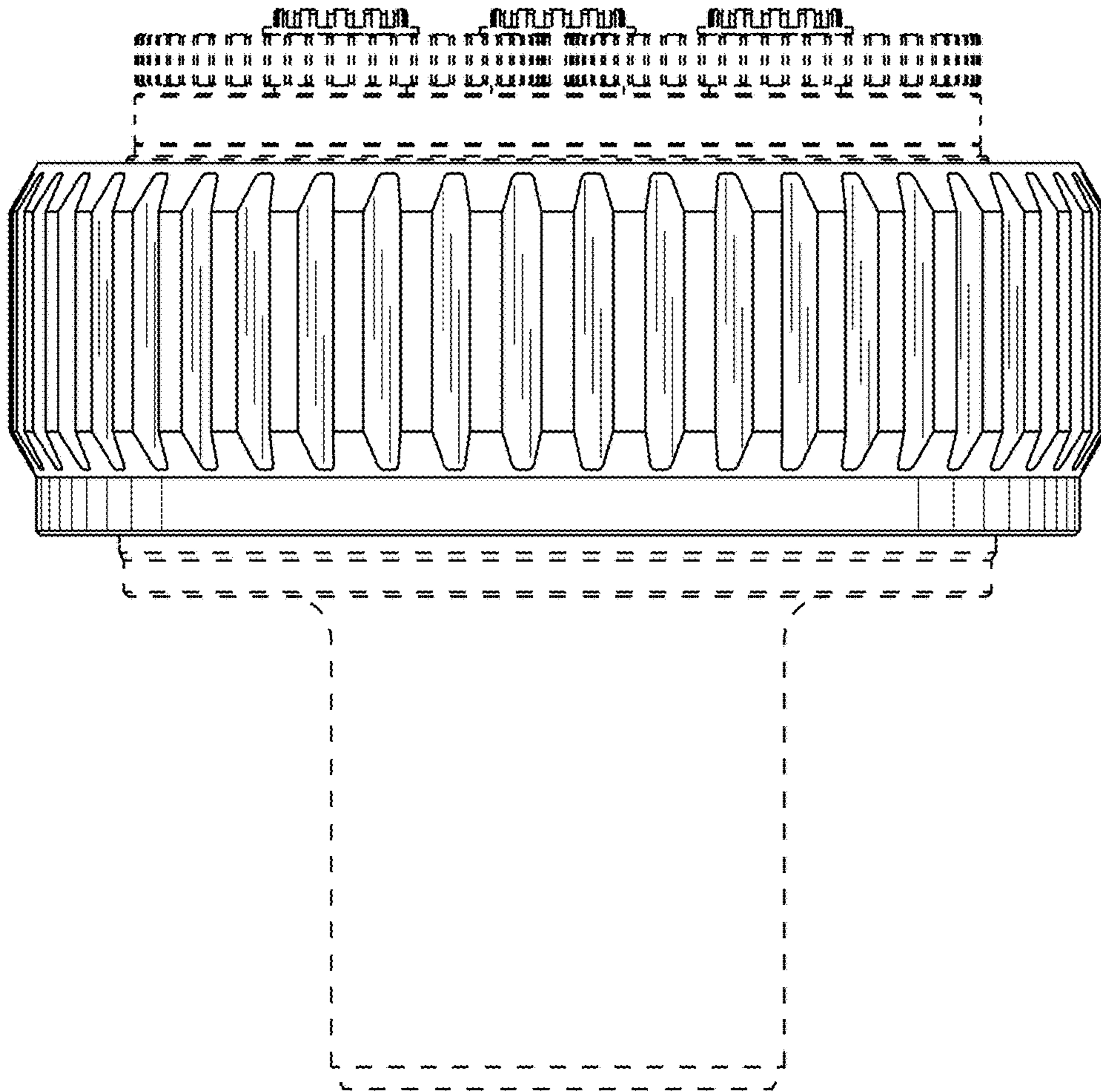


FIG.4

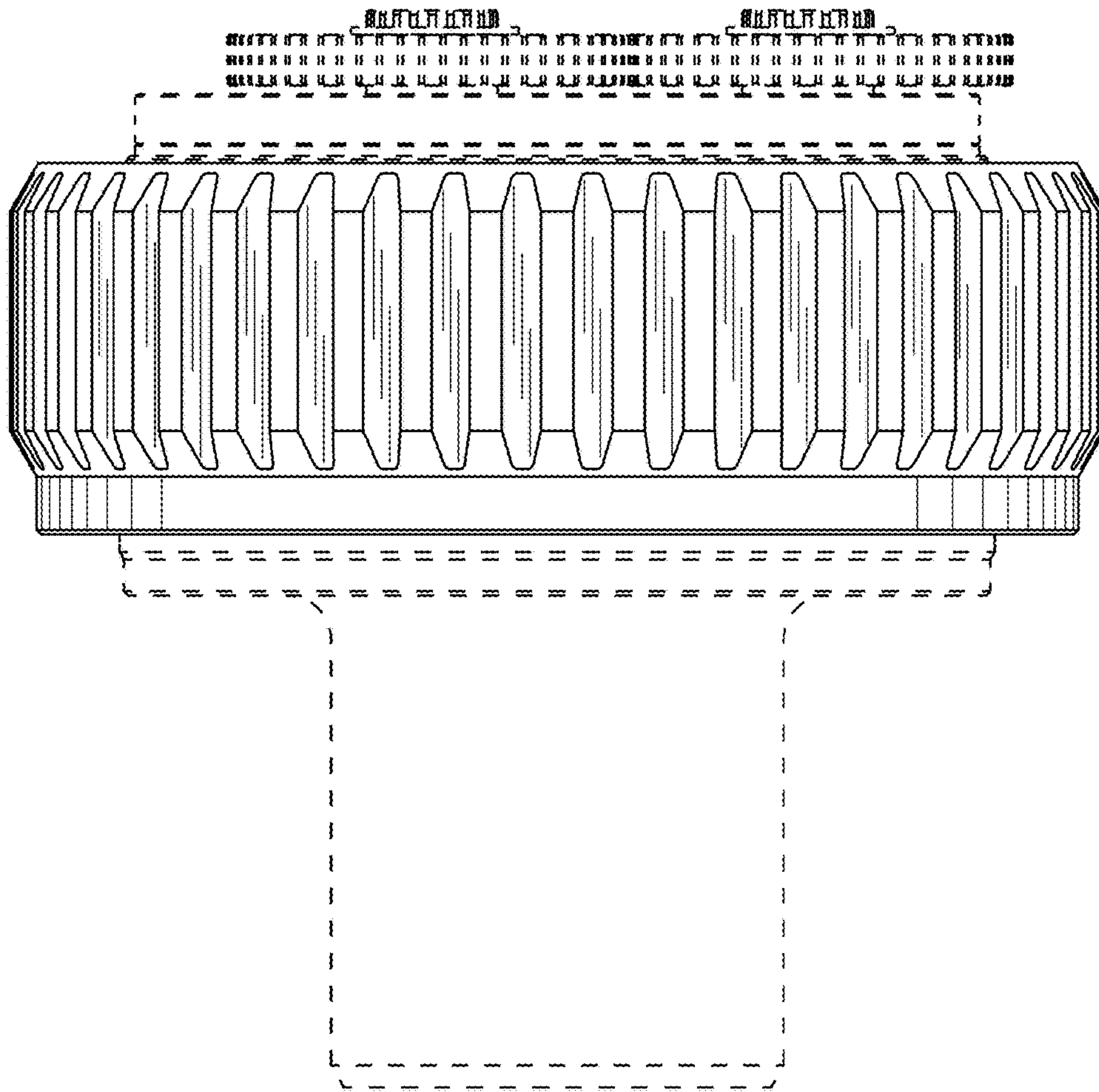


FIG.5

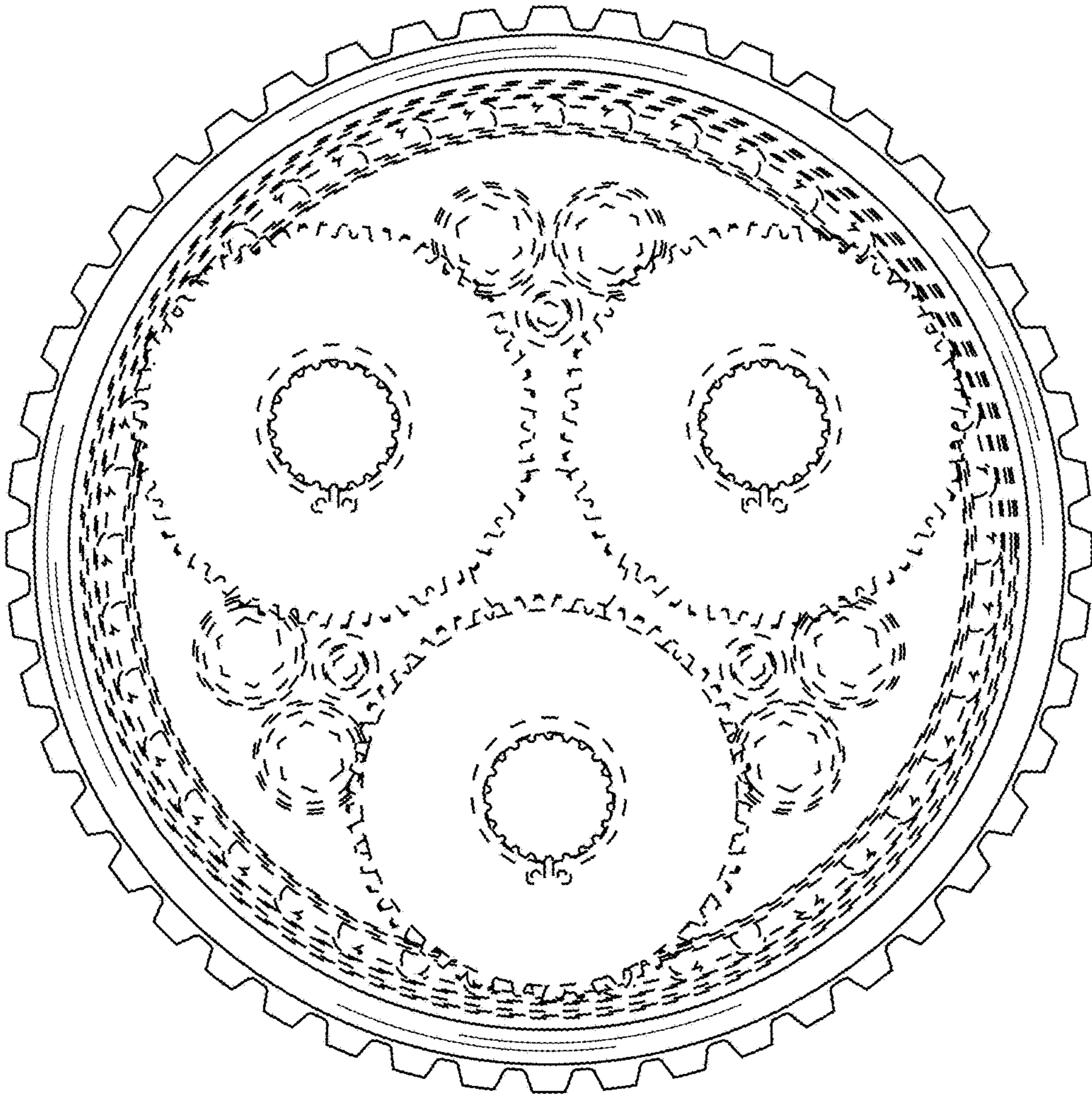


FIG.6

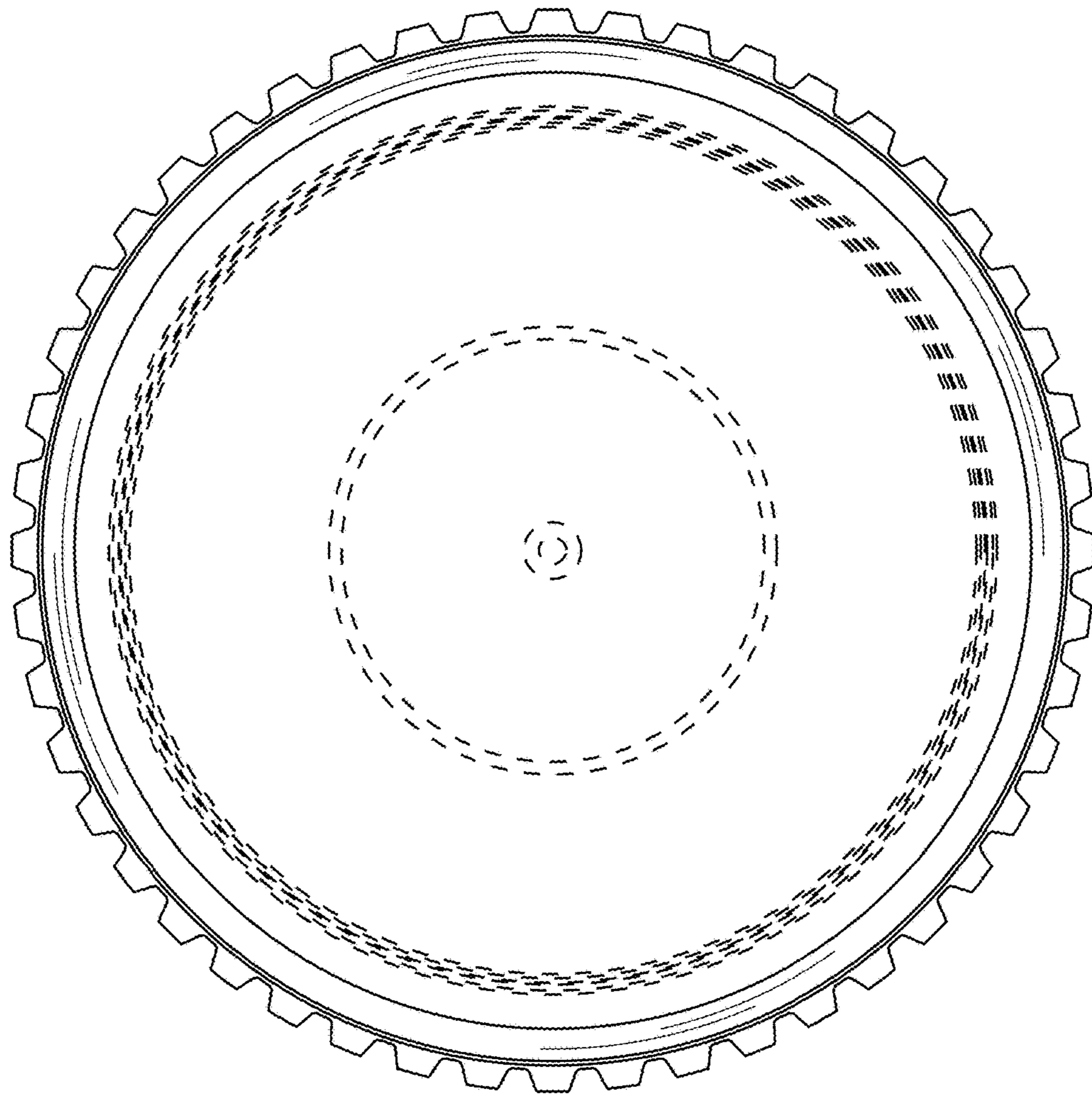


FIG.7