



US00D797827S

(12) **United States Design Patent**
Martin et al.

(10) **Patent No.:** **US D797,827 S**

(45) **Date of Patent:** **** Sep. 19, 2017**

(54) **PRINTING MACHINE**

(71) Applicant: **Dover Europe Sàrl**, Vernier (CH)

(72) Inventors: **Elisabeth Martin**, Chatuzange le goubet (FR); **Leslie Le Marec**, Valence (FR); **Christian Araszkievich**, Larnage (FR)

(73) Assignee: **DOVER EUROPE SÀRL**, Vernier (CH)

(**) Term: **15 Years**

(21) Appl. No.: **29/562,446**

(22) Filed: **Apr. 26, 2016**

(30) **Foreign Application Priority Data**

Feb. 11, 2016 (EM) 002982660-0001
Feb. 11, 2016 (EM) 002982660-0002

(51) **LOC (10) Cl.** **15-99**

(52) **U.S. Cl.**
USPC **D15/145**

(58) **Field of Classification Search**
USPC D15/138, 145; D18/50
CPC G06K 1/20; G06K 19/0725
See application file for complete search history.

(56) **References Cited**

U.S. PATENT DOCUMENTS

4,835,624 A * 5/1989 Black A63F 3/065
360/2
D328,469 S * 8/1992 Stilley D18/14

D389,510 S * 1/1998 Mimoto D18/19
D674,008 S * 1/2013 Miller D18/50
2008/0251009 A1 * 10/2008 Nagai G06K 1/20
118/35
2008/0298870 A1 * 12/2008 Tsirline G06K 1/20
400/613
2012/0105522 A1 * 5/2012 Wallsten B41J 2/04
347/9
2012/0139996 A1 * 6/2012 McNestry B41J 2/14
347/44
2016/0189020 A1 * 6/2016 Duckett G06K 1/20
235/462.01
2016/0303871 A1 * 10/2016 Bouwens B41J 2/0057

* cited by examiner

Primary Examiner — Patricia Palasik

(74) *Attorney, Agent, or Firm* — Pearne & Gordon, LLP

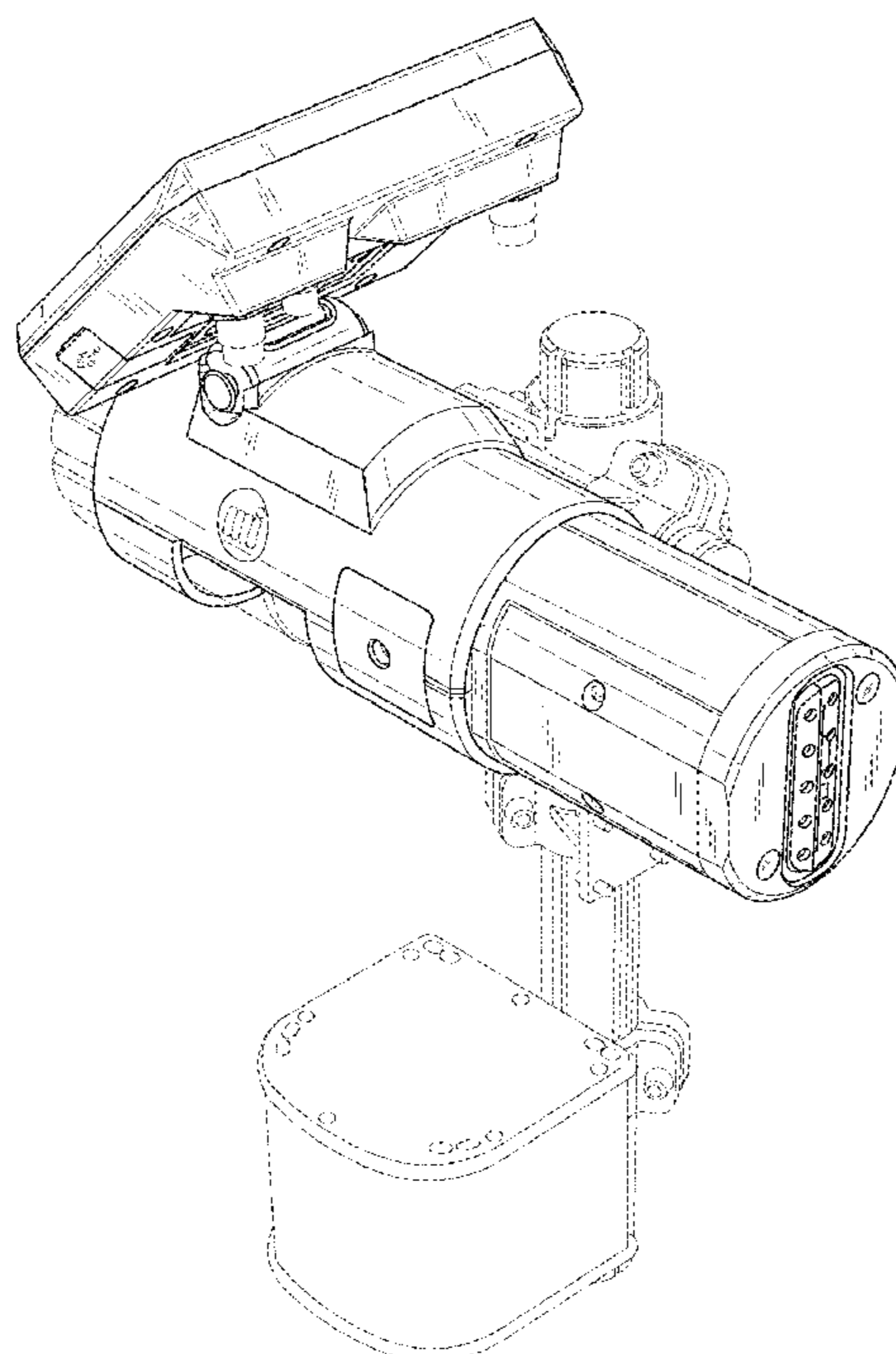
(57) **CLAIM**

The ornamental design for a printing machine, as shown and described.

DESCRIPTION

FIG. 1 is a perspective view of a printing machine showing our new design;
FIG. 2 is a front view thereof;
FIG. 3 is a right view thereof;
FIG. 4 is a top view thereof;
FIG. 5 is a left view thereof;
FIG. 6 is a rear view thereof; and,
FIG. 7 is a bottom view thereof.
The portions of the printing machine shown in broken lines form no part of the claimed design.

1 Claim, 6 Drawing Sheets



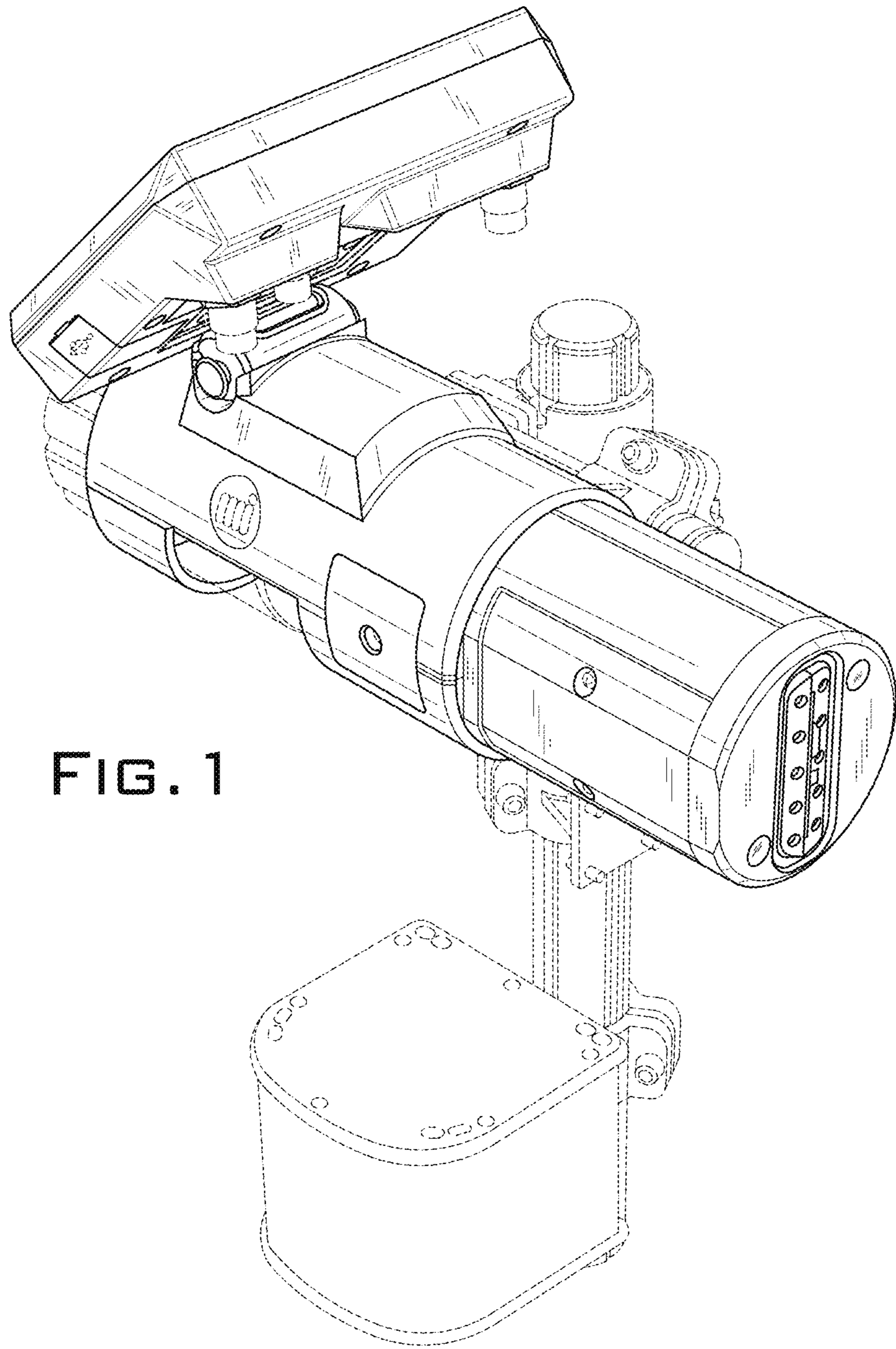


FIG. 1

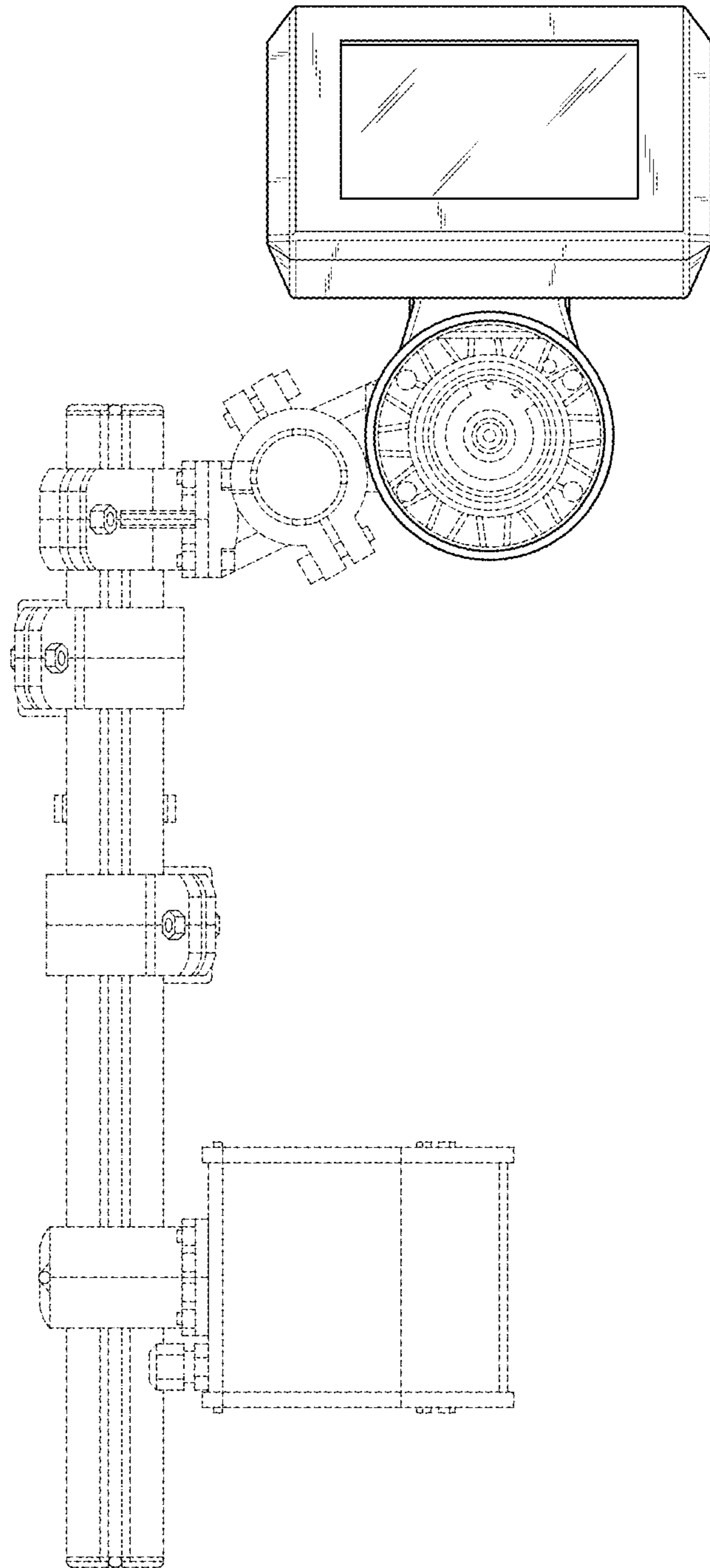


FIG. 2

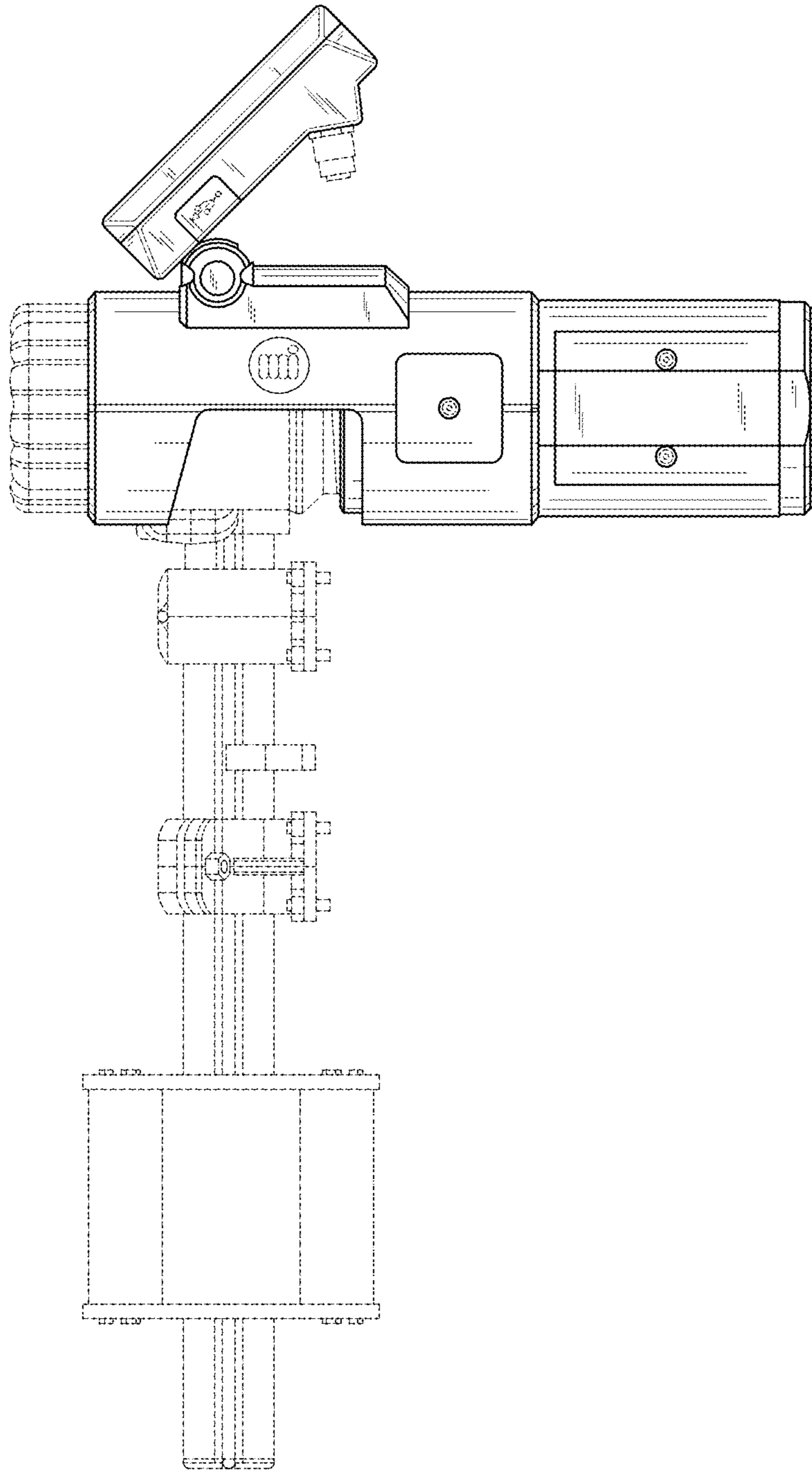


FIG. 3

FIG. 4

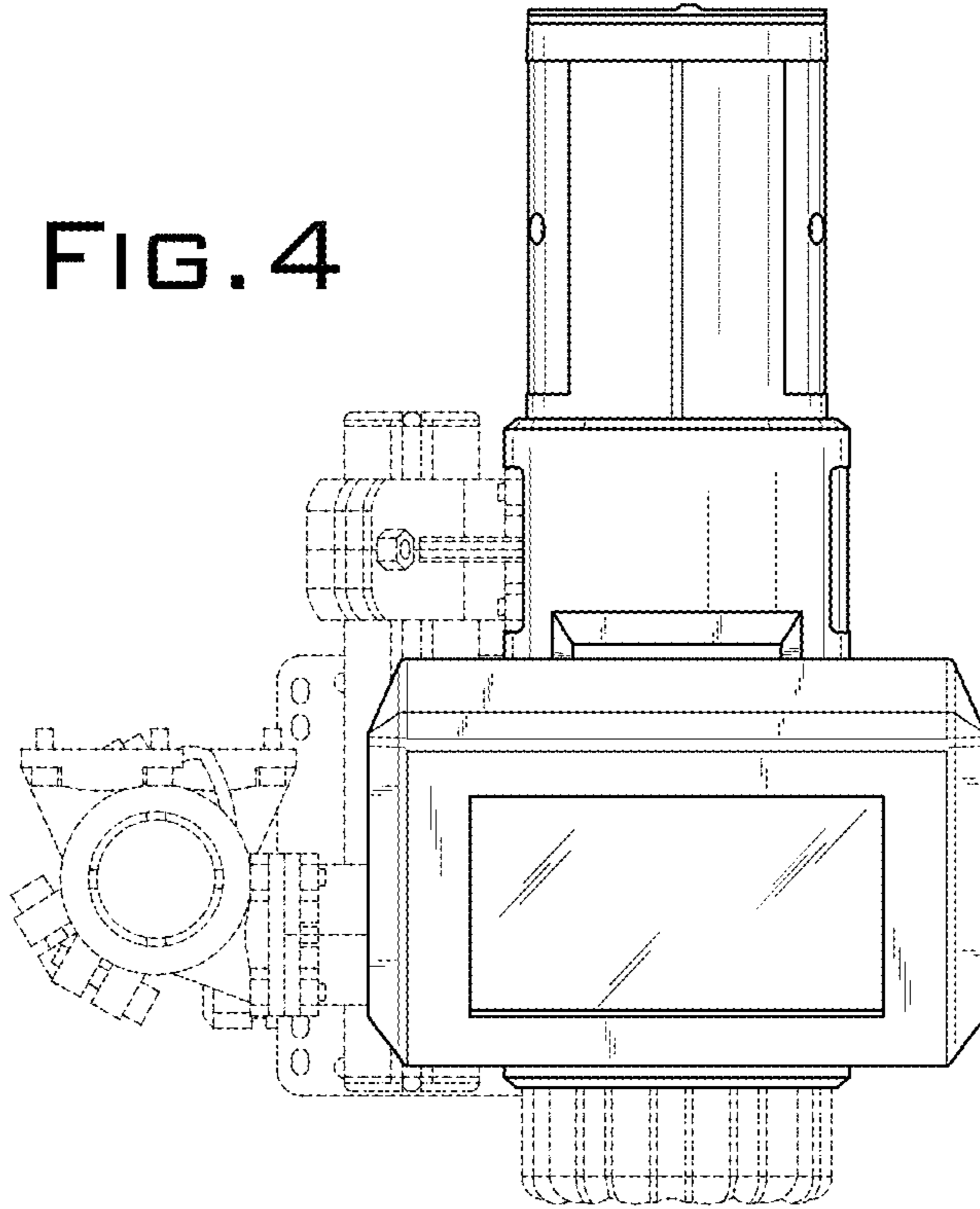
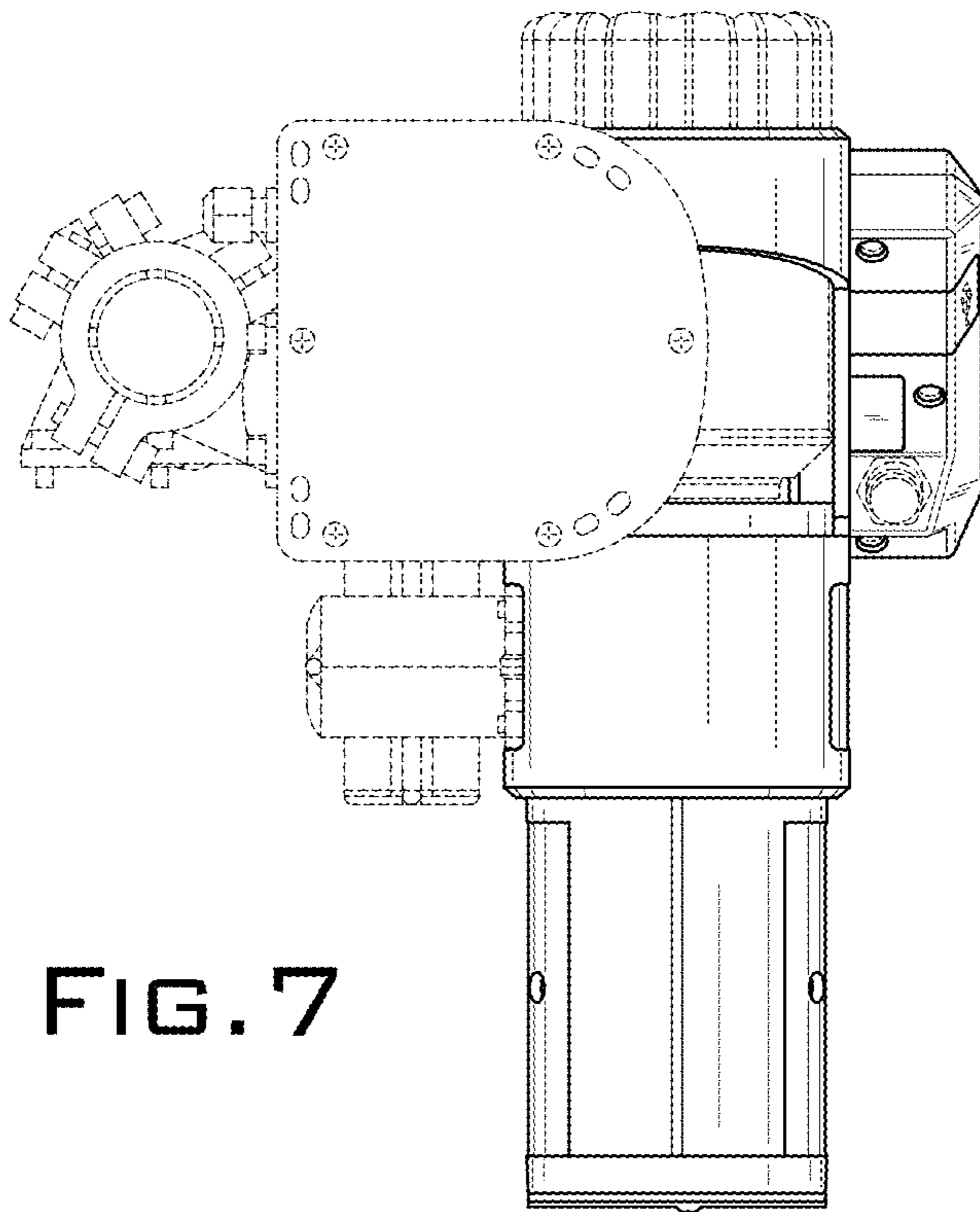


FIG. 7



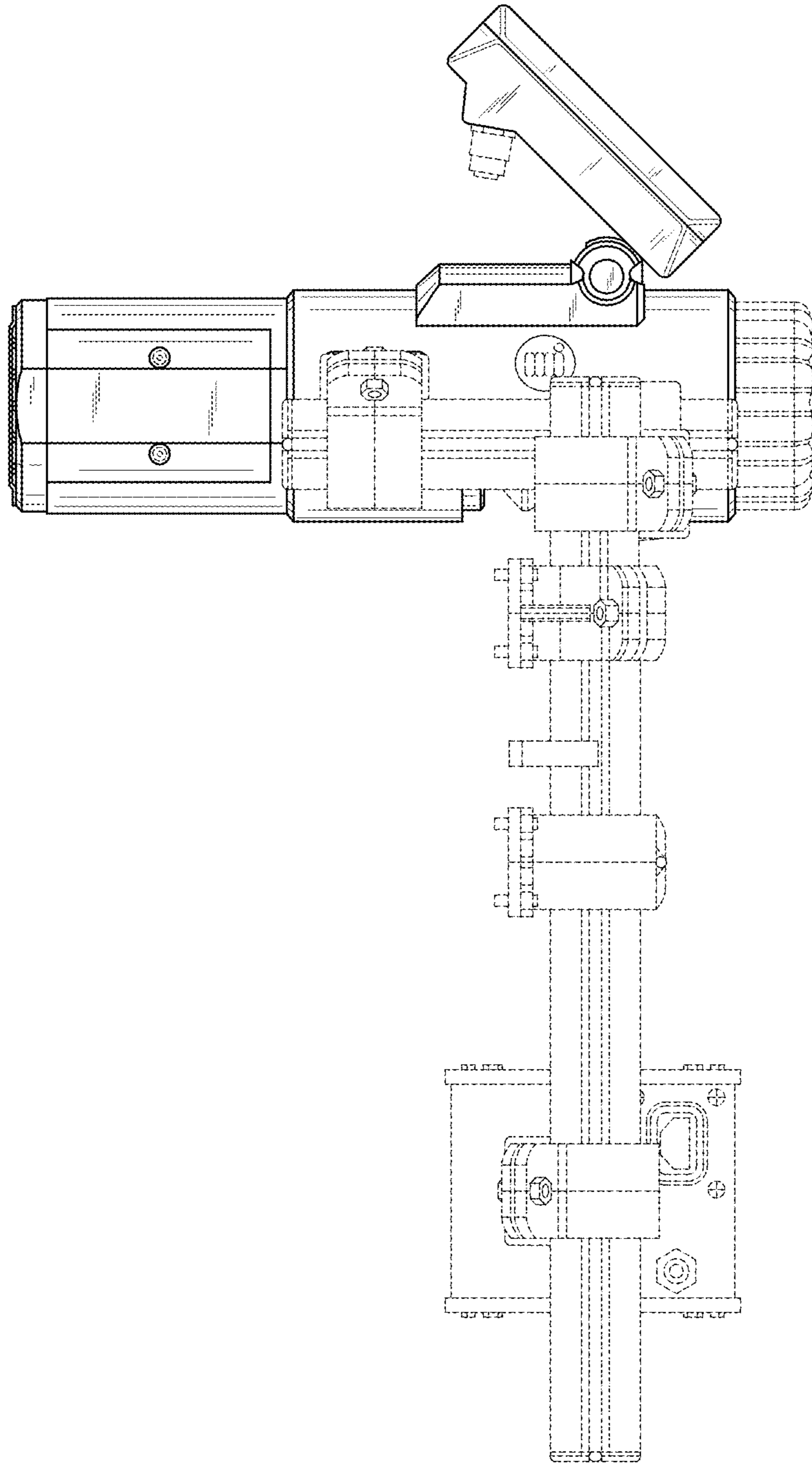


FIG. 5

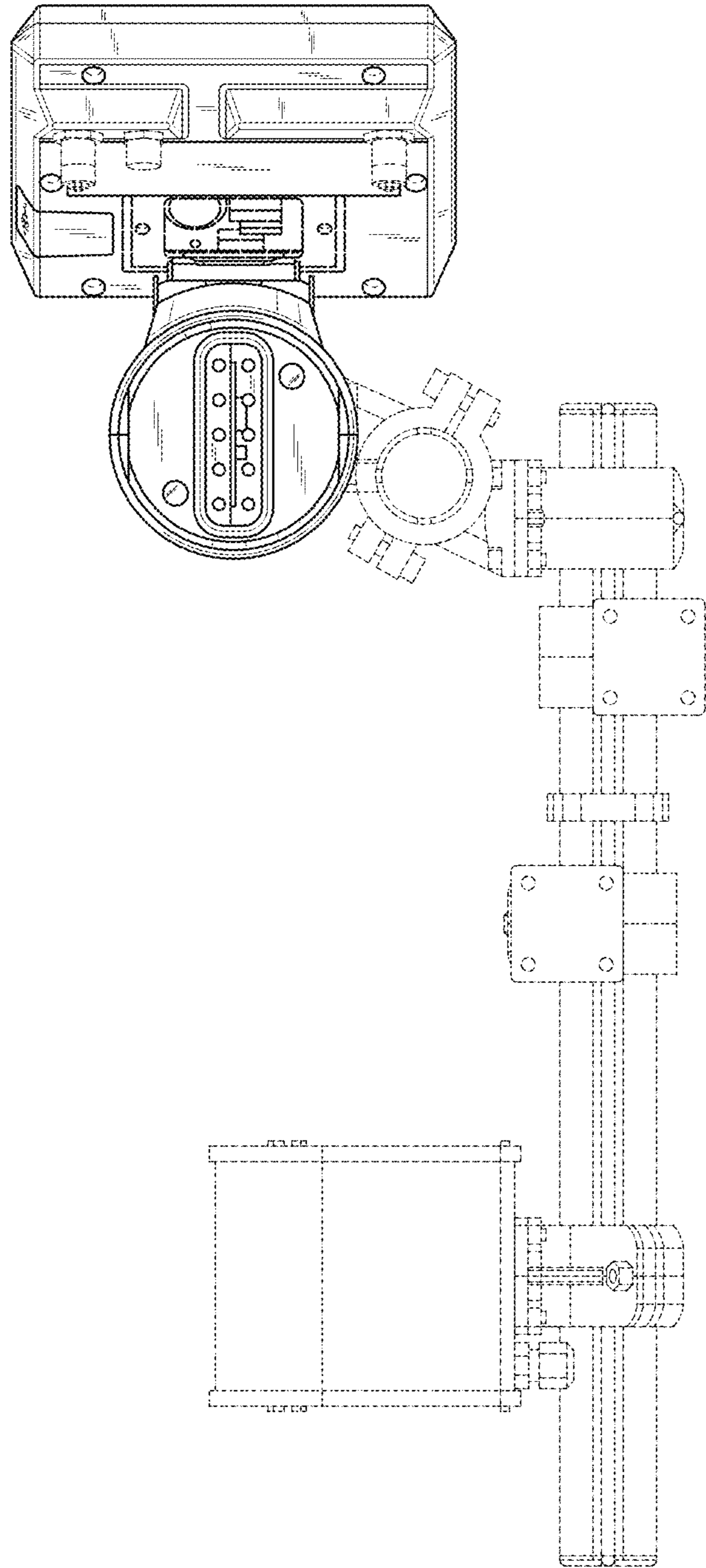


FIG. 6