



US00D797825S

(12) **United States Design Patent**  
**Kraljic**

(10) **Patent No.:** **US D797,825 S**

(45) **Date of Patent:** **\*\* Sep. 19, 2017**

- (54) **METAL STAMP JIG**
- (71) Applicant: **Wolter Corp.**, Edgewood, NY (US)
- (72) Inventor: **John Kraljic**, Riverhead, NY (US)
- (73) Assignee: **Wolter Corp.**, Edgewood, NY (US)
- (\*\*) Term: **15 Years**
- (21) Appl. No.: **29/541,503**
- (22) Filed: **Oct. 5, 2015**
- (51) **LOC (10) Cl.** ..... **15-09**
- (52) **U.S. Cl.**  
USPC ..... **D15/128**
- (58) **Field of Classification Search**  
USPC ..... D15/128, 138; D19/65, 72  
CPC ..... B25B 15/005; B23C 3/35; B23C 2235/28;  
B23C 2235/41; B21D 22/02; B21D  
28/34; B21D 28/005; B21D 28/346;  
B21D 37/04; B21D 37/205  
See application file for complete search history.

- 2006/0229133 A1\* 10/2006 Lin ..... B25B 15/005  
470/63
- 2007/0005072 A1\* 1/2007 Castillo ..... A61B 17/1671  
606/79
- 2008/0264109 A1\* 10/2008 Ritchey ..... A61B 17/1725  
66/88
- 2008/0295562 A1\* 12/2008 Straka ..... B21D 22/02  
72/333
- 2010/0095815 A1\* 4/2010 Laib ..... B21D 28/14  
83/23
- 2010/0139470 A1\* 6/2010 Buettner ..... B21D 28/12  
83/681
- 2014/0157857 A1\* 6/2014 Breen ..... B23P 15/24  
72/404
- 2015/0298955 A1\* 10/2015 Campbell ..... B09B 3/0058  
141/330
- 2015/0311660 A1\* 10/2015 Onishi ..... H01R 43/205  
29/747
- 2016/0045976 A1\* 2/2016 Matsushita ..... B23K 11/115  
219/86.9

\* cited by examiner

*Primary Examiner* — Patricia Palasik  
(74) *Attorney, Agent, or Firm* — Scully, Scott, Murphy & Presser, P.C.

(56) **References Cited**

**U.S. PATENT DOCUMENTS**

- 1,699,657 A \* 1/1929 Fagan ..... F01L 1/181  
123/90.36
- 5,257,775 A \* 11/1993 Burns ..... E04B 9/006  
269/102
- D440,138 S \* 4/2001 Campbell ..... D8/71
- D599,386 S \* 9/2009 Moellering ..... D15/140
- 7,690,130 B1 \* 4/2010 Risinger ..... G01B 3/22  
33/549
- D632,318 S \* 2/2011 Sindlinger ..... D15/128
- D690,332 S \* 9/2013 Morehead ..... B21D 28/34  
D15/128
- 2003/0027699 A1\* 2/2003 Brodie ..... B21D 37/04  
483/28

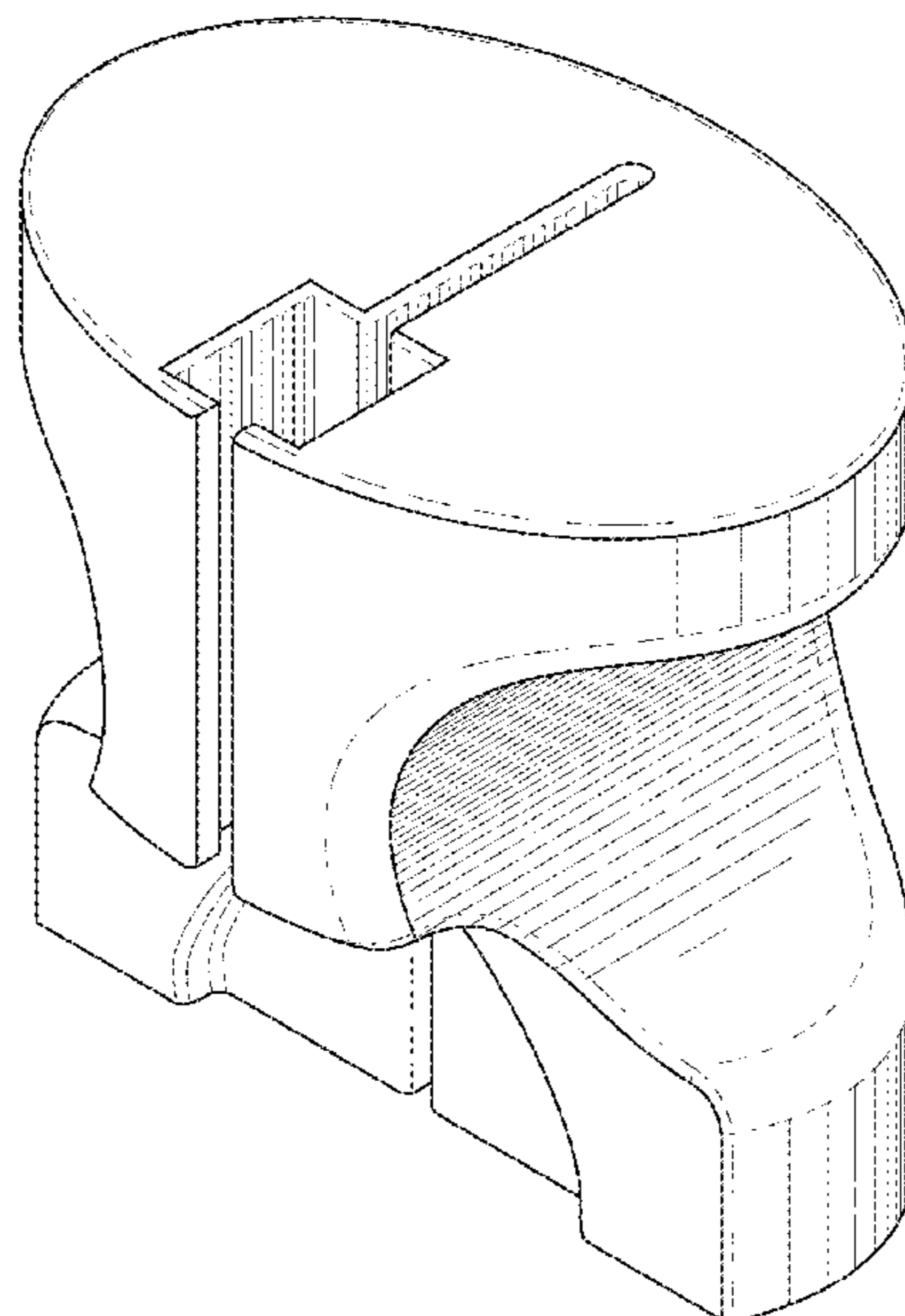
(57) **CLAIM**

The ornamental design for a metal stamp jig, as shown.

**DESCRIPTION**

FIG. 1 is a perspective view of a metal stamp jig, showing our new design;  
FIG. 2 is a top plan view thereof;  
FIG. 3 is a bottom plan view thereof;  
FIG. 4 is a right side elevational view thereof;  
FIG. 5 is a left side elevational view thereof;  
FIG. 6 is a front elevational thereof; and,  
FIG. 7 is a rear elevational thereof.

**1 Claim, 6 Drawing Sheets**



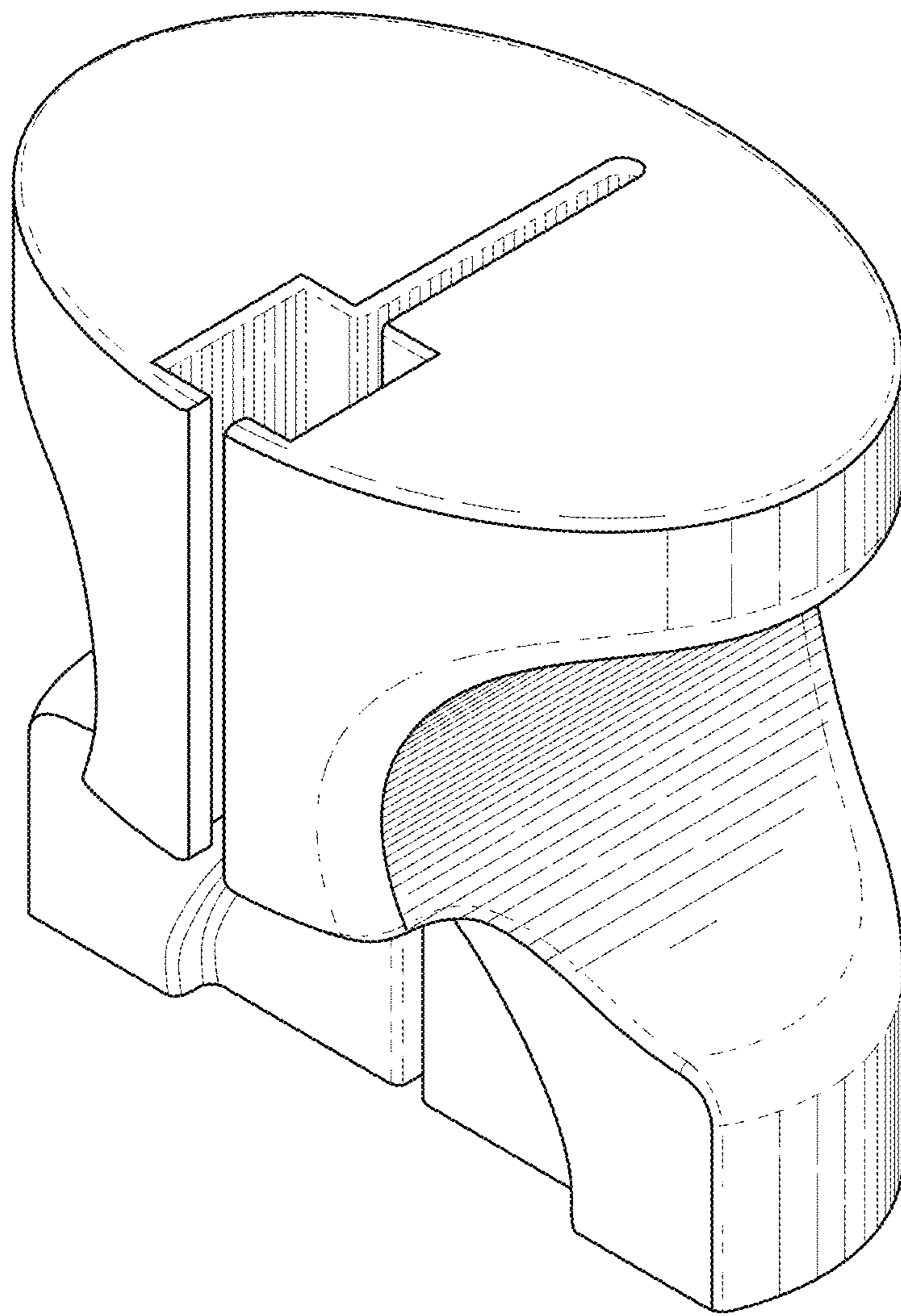


Fig.1

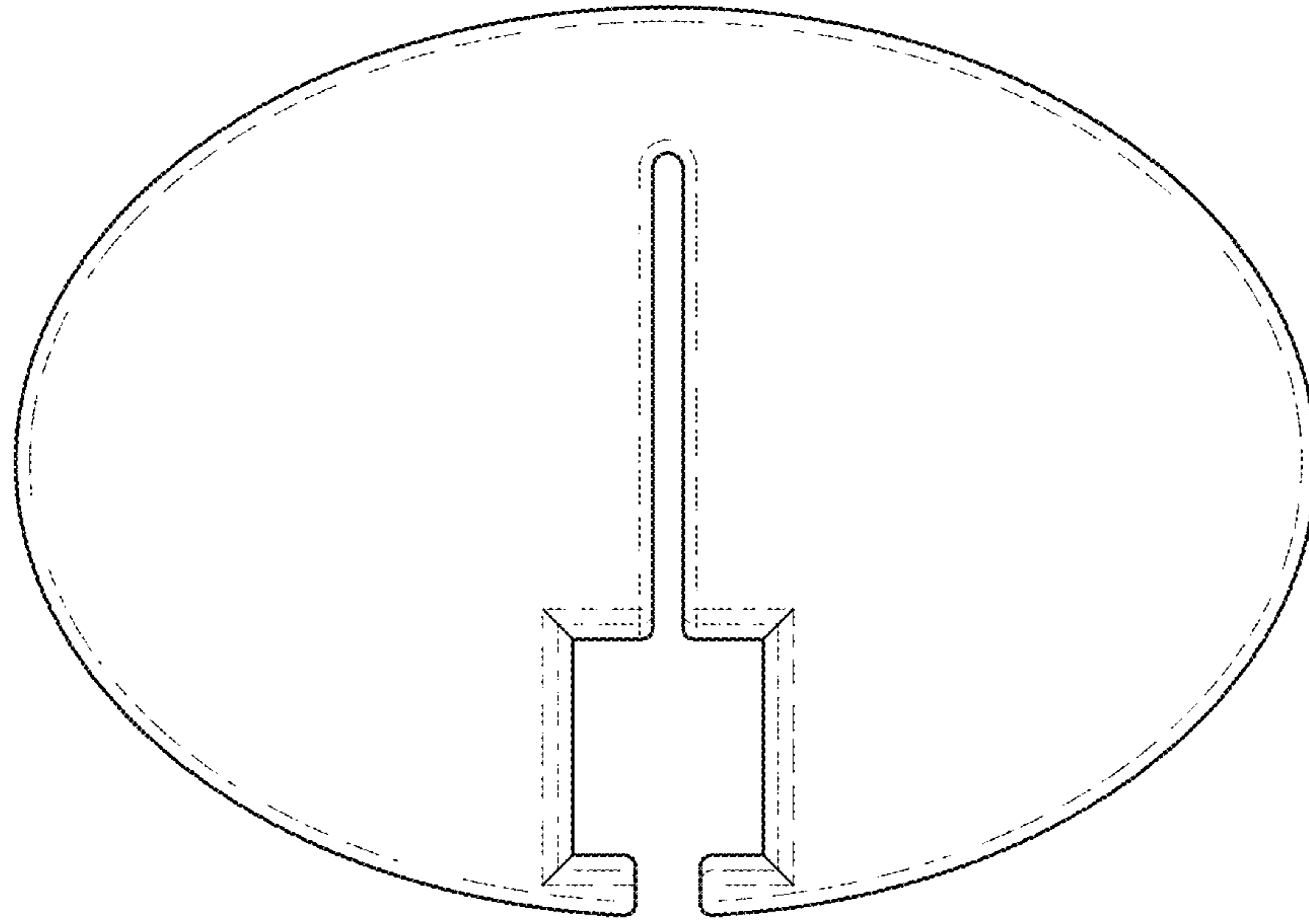


Fig.2

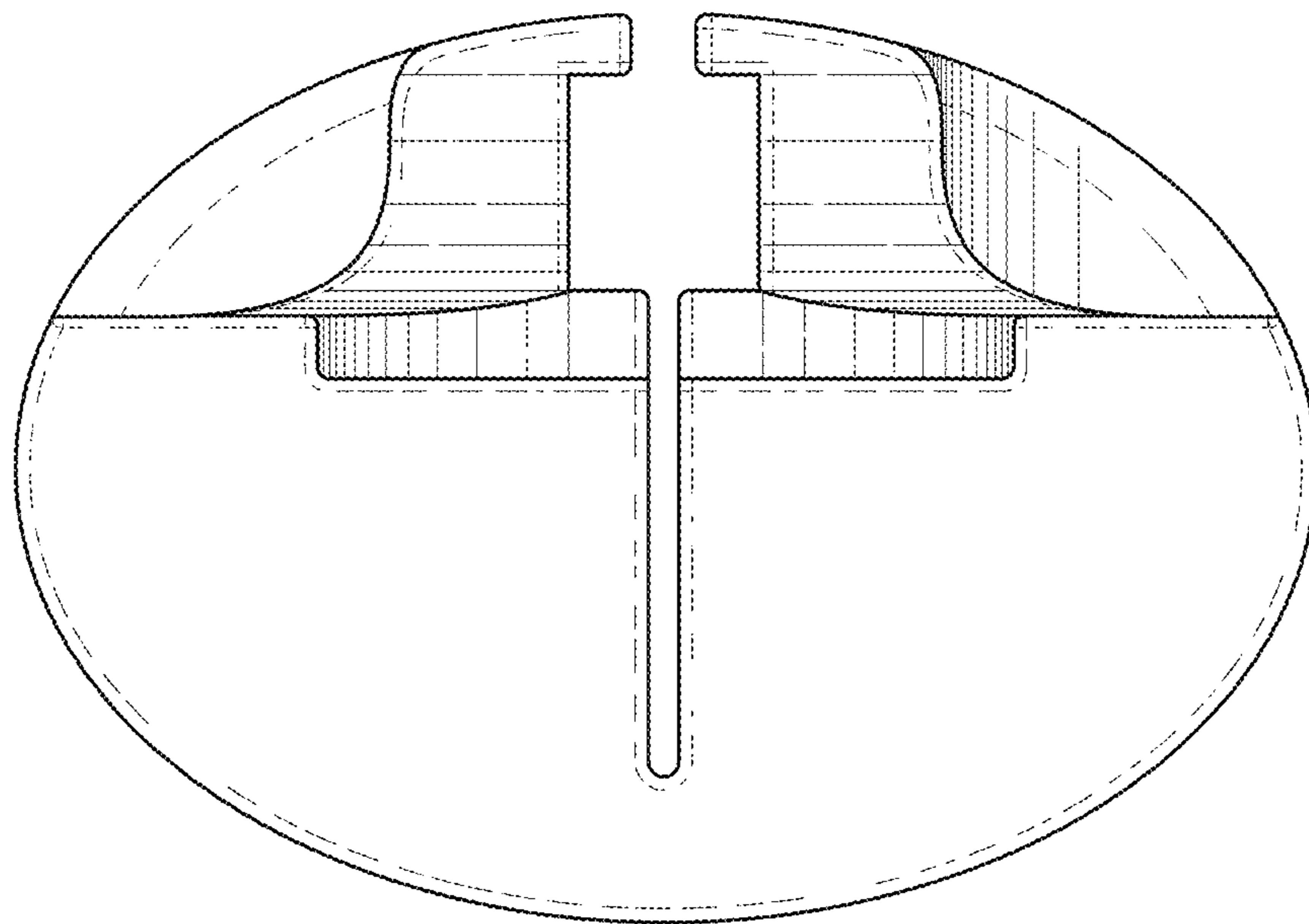


Fig.3

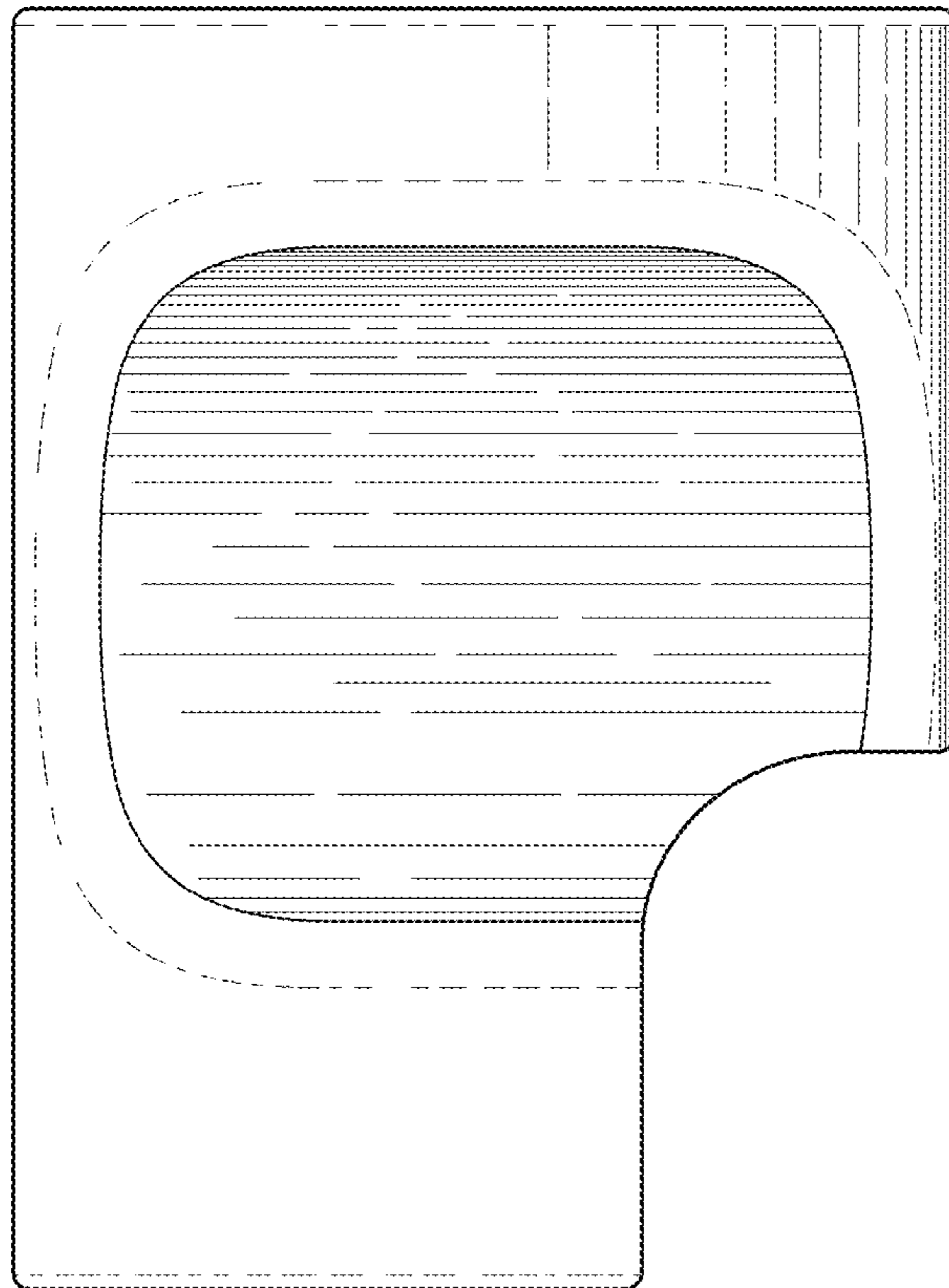


Fig.4

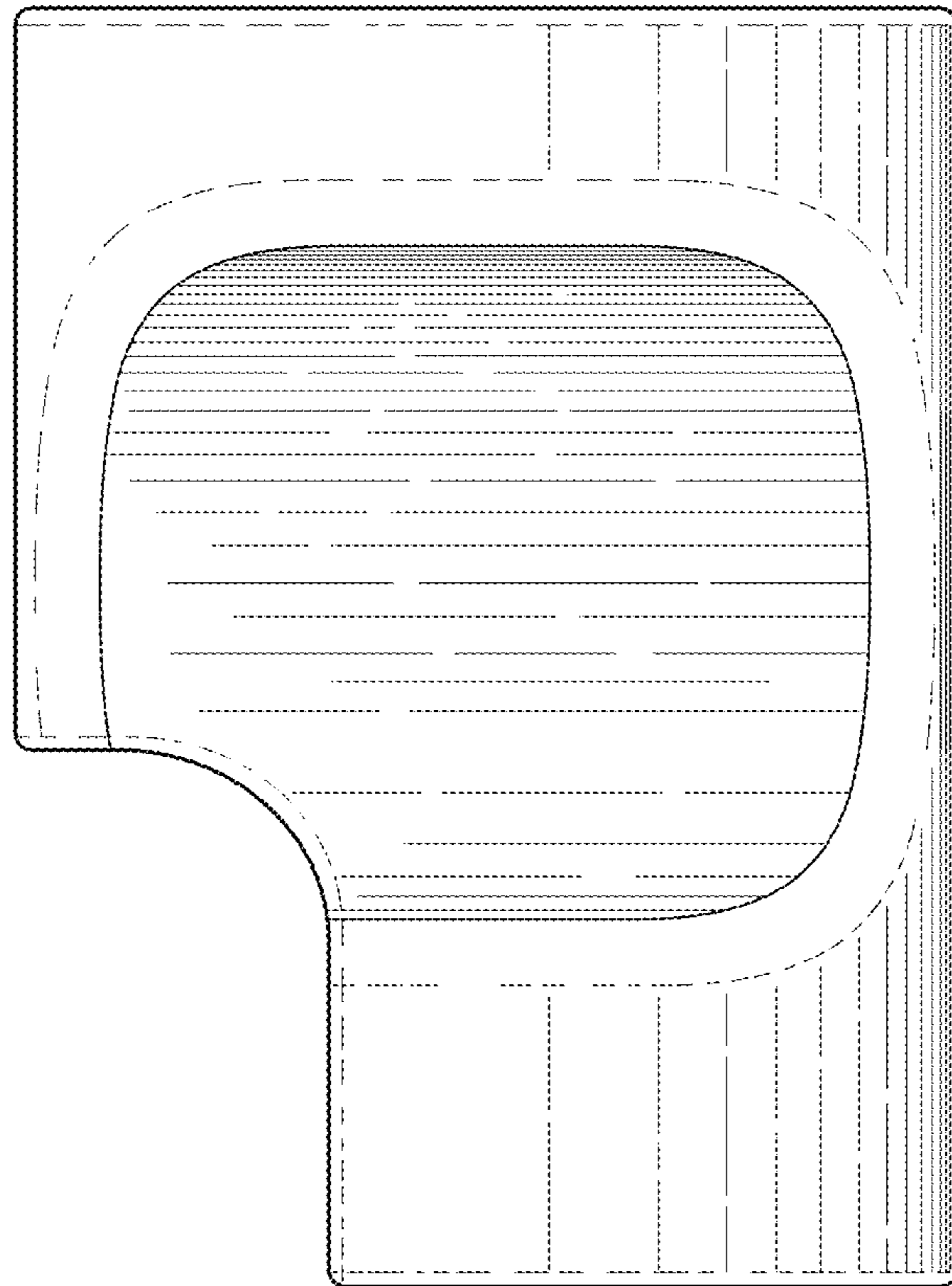


Fig.5

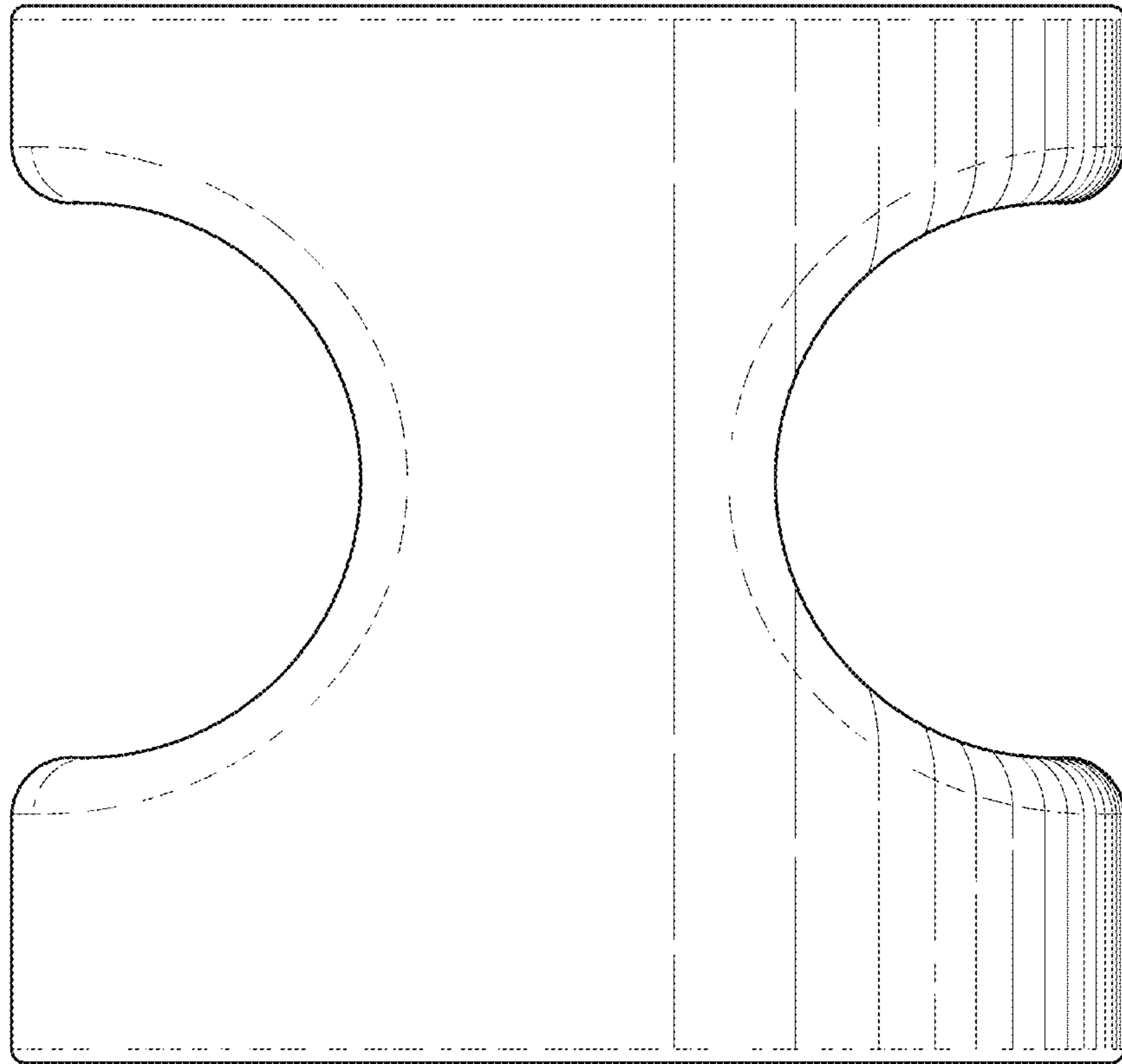


Fig.6

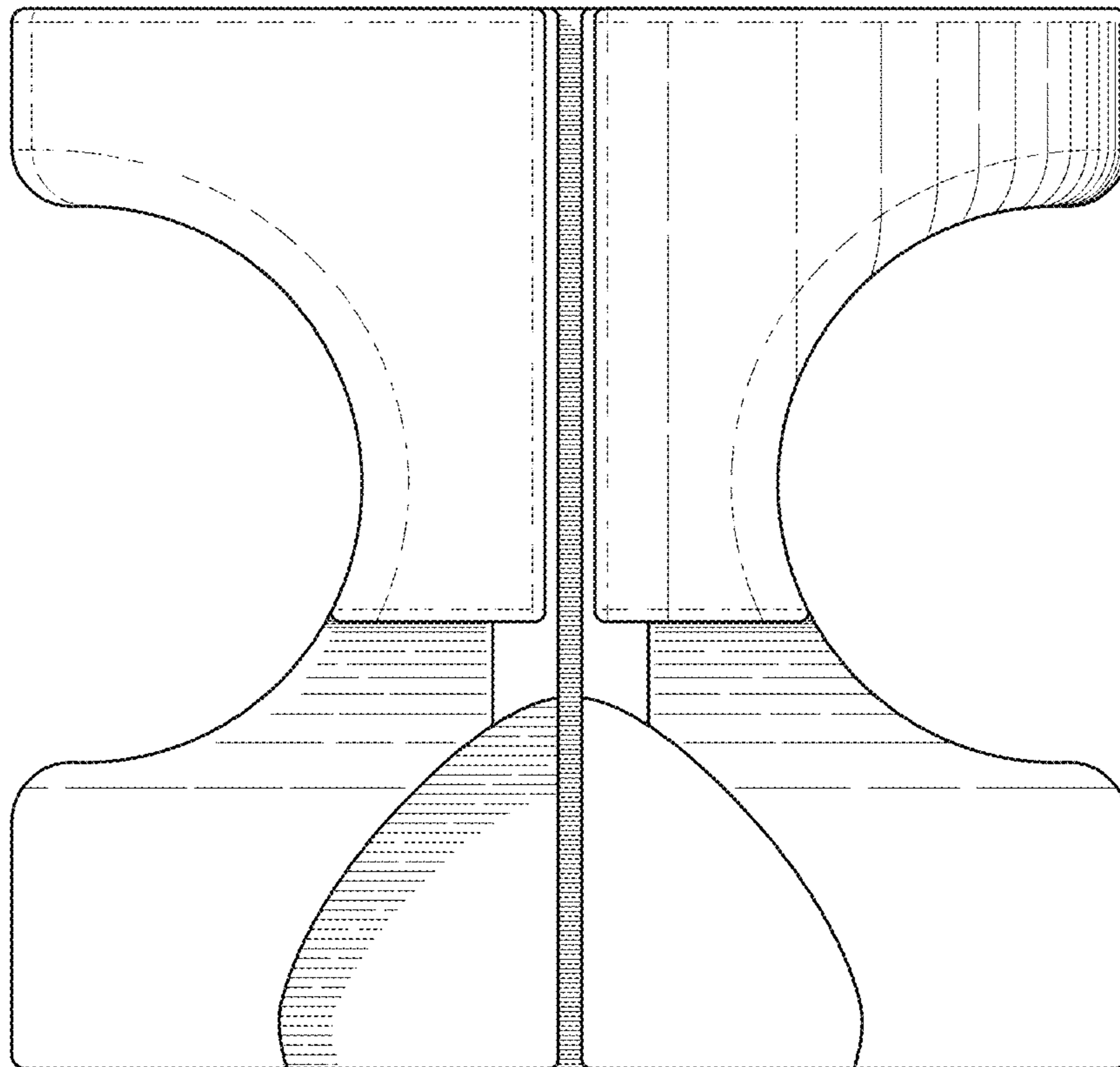


Fig.7