



US00D797824S

(12) **United States Design Patent** (10) **Patent No.:** **US D797,824 S**
Ruan (45) **Date of Patent:** **** Sep. 19, 2017**

(54) **ABRASIVE DISC**

B24B 49/02; B24B 49/03; B24B 49/08;
B24B 49/10; B24B 49/12; B24B 49/18

(71) Applicant: **XIAMEN ZL DIAMOND TECHNOLOGY CO., LTD**, Xiamen (CN)

See application file for complete search history.

(72) Inventor: **Kerong Ruan**, Xiamen (CN)

(56) **References Cited**

(73) Assignee: **XIAMEN ZL DIAMOND TECHNOLOGY CO., LTD**, Xiamen (CN)

U.S. PATENT DOCUMENTS

(**) Term: **15 Years**

D589,990 S *	4/2009	Park	D15/126
D592,684 S *	5/2009	Park	D15/126
D609,256 S *	2/2010	Hauenstein	D15/139
D681,078 S *	4/2013	Heo	D15/126
D763,932 S *	8/2016	Popov	D15/126
D783,064 S *	4/2017	Popov	D15/126
D783,066 S *	4/2017	Popov	D15/126
D783,067 S *	4/2017	Popov	D15/126
D783,068 S *	4/2017	Popov	D15/126

(21) Appl. No.: **29/573,127**

* cited by examiner

(22) Filed: **Aug. 3, 2016**

(30) **Foreign Application Priority Data**

Primary Examiner — Mitchell Siegel

Mar. 21, 2016 (CN) 2016 3 0081072

Assistant Examiner — Khawaja Anwar

(51) **LOC (10) Cl.** **15-09**

(74) *Attorney, Agent, or Firm* — Gokalp Bayramoglu

(52) **U.S. Cl.**
USPC **D15/126**

(57) **CLAIM**

(58) **Field of Classification Search**
USPC D15/19, 21, 28, 29, 122, 124, 126, 138,
D15/139; D8/62, 70, 90; D7/372, 376,
D7/377

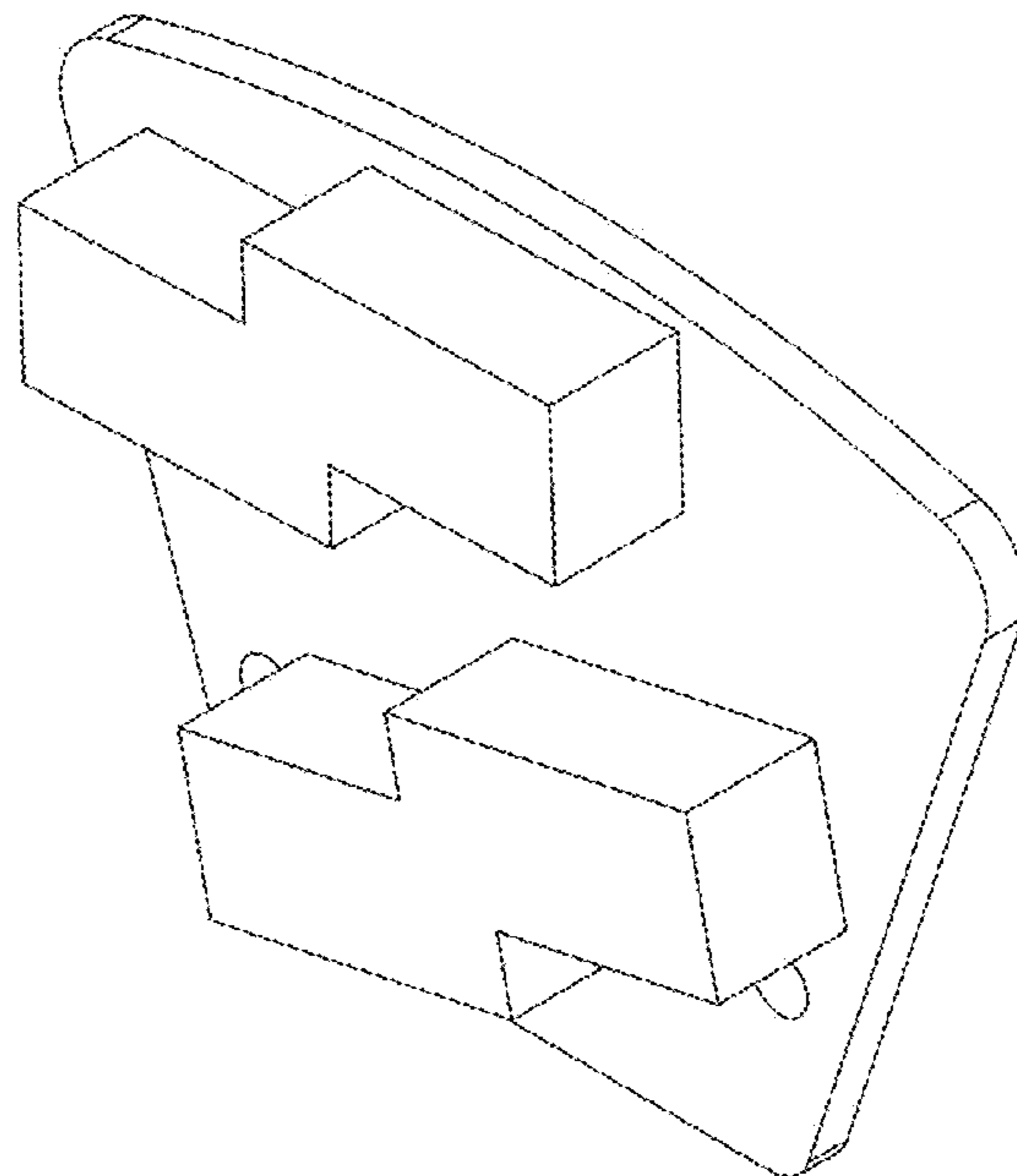
The ornamental design for an abrasive disc, as shown and described.

DESCRIPTION

CPC ... B24B 23/028; B24B 55/052; B24B 55/102;
B24B 23/02; B24B 41/047; B24B 55/04;
B24B 3/466; B24B 41/02; B24B 7/186;
B24B 23/026; B24B 27/0007; B24B
27/0015; B24B 3/36; B24B 47/12; B24B
55/05; B24B 7/18; B24B 9/148; B24B
27/08; B24B 37/015; B24B 37/08; B24B
3/24; B24B 3/32; B24B 3/365; B24B
3/368; B24B 3/42; B24B 3/54; B24B
41/007; B24B 41/066; B24B 47/225;

FIG. 1 is a perspective view of an abrasive disc showing my new design;
FIG. 2 is a front elevation view thereof;
FIG. 3 is a back elevation view thereof;
FIG. 4 is a left side elevation view thereof;
FIG. 5 is a right side elevation view thereof;
FIG. 6 is a top plan view thereof; and,
FIG. 7 is a bottom plan view thereof.

1 Claim, 7 Drawing Sheets



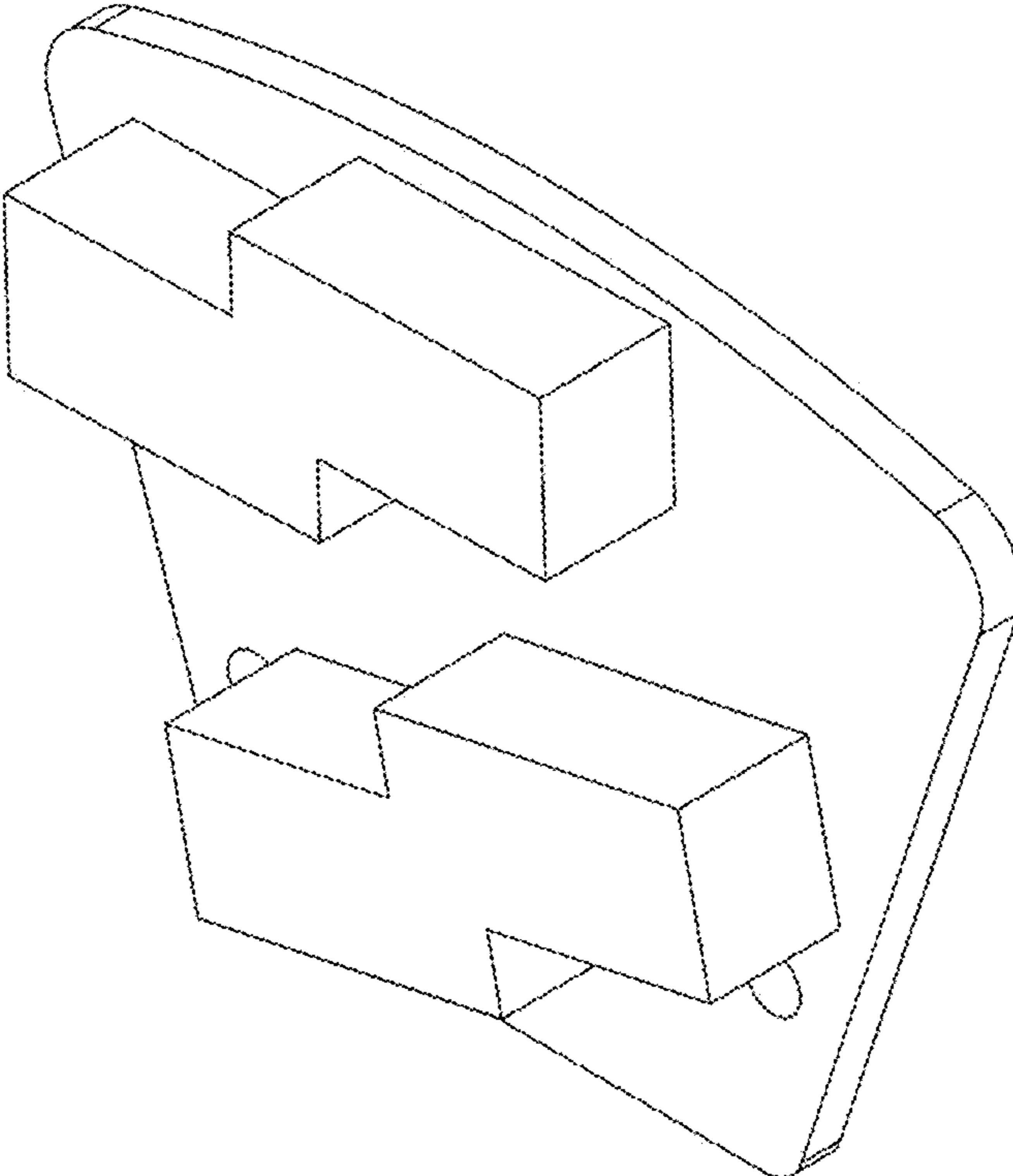


Fig. 1

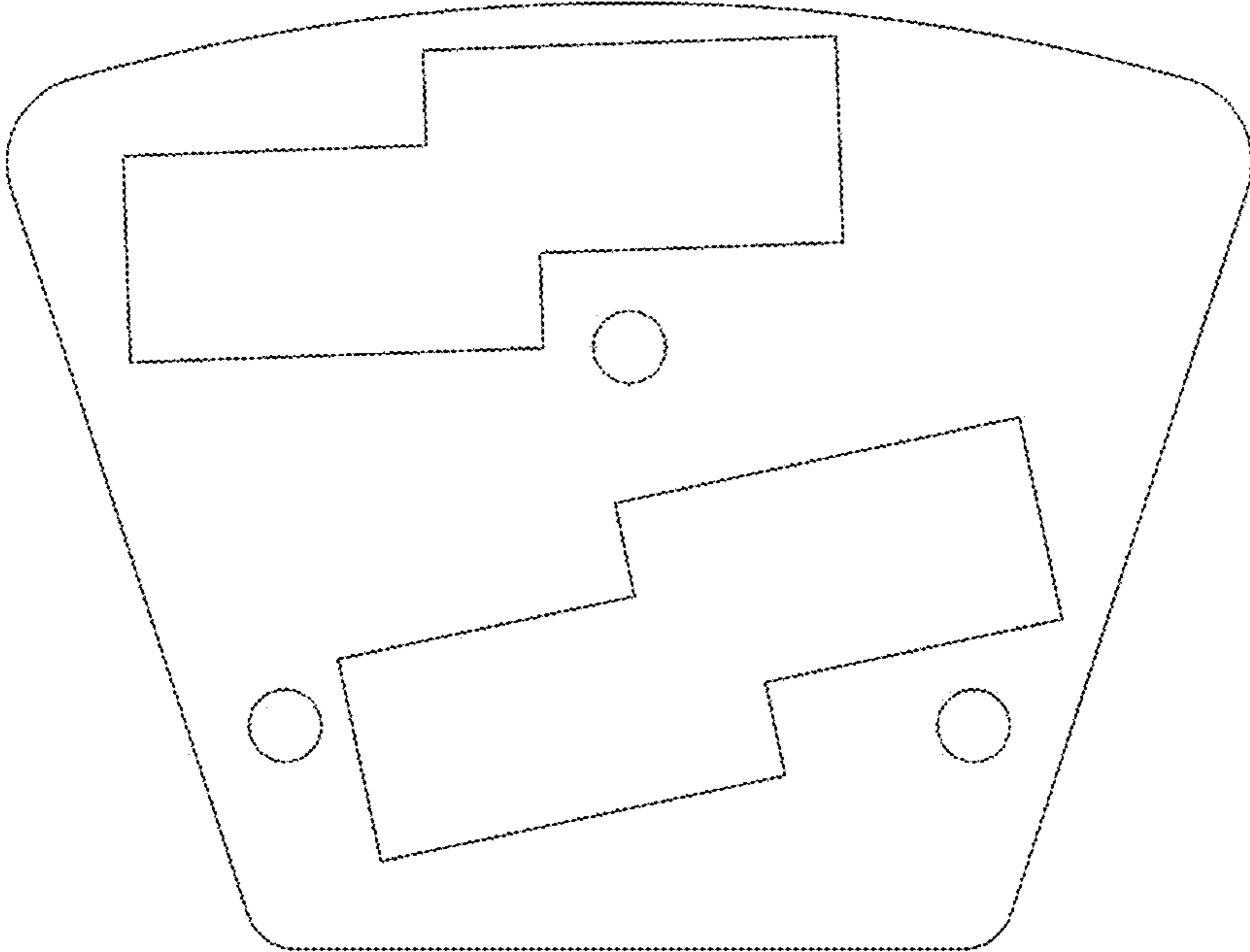


Fig. 2

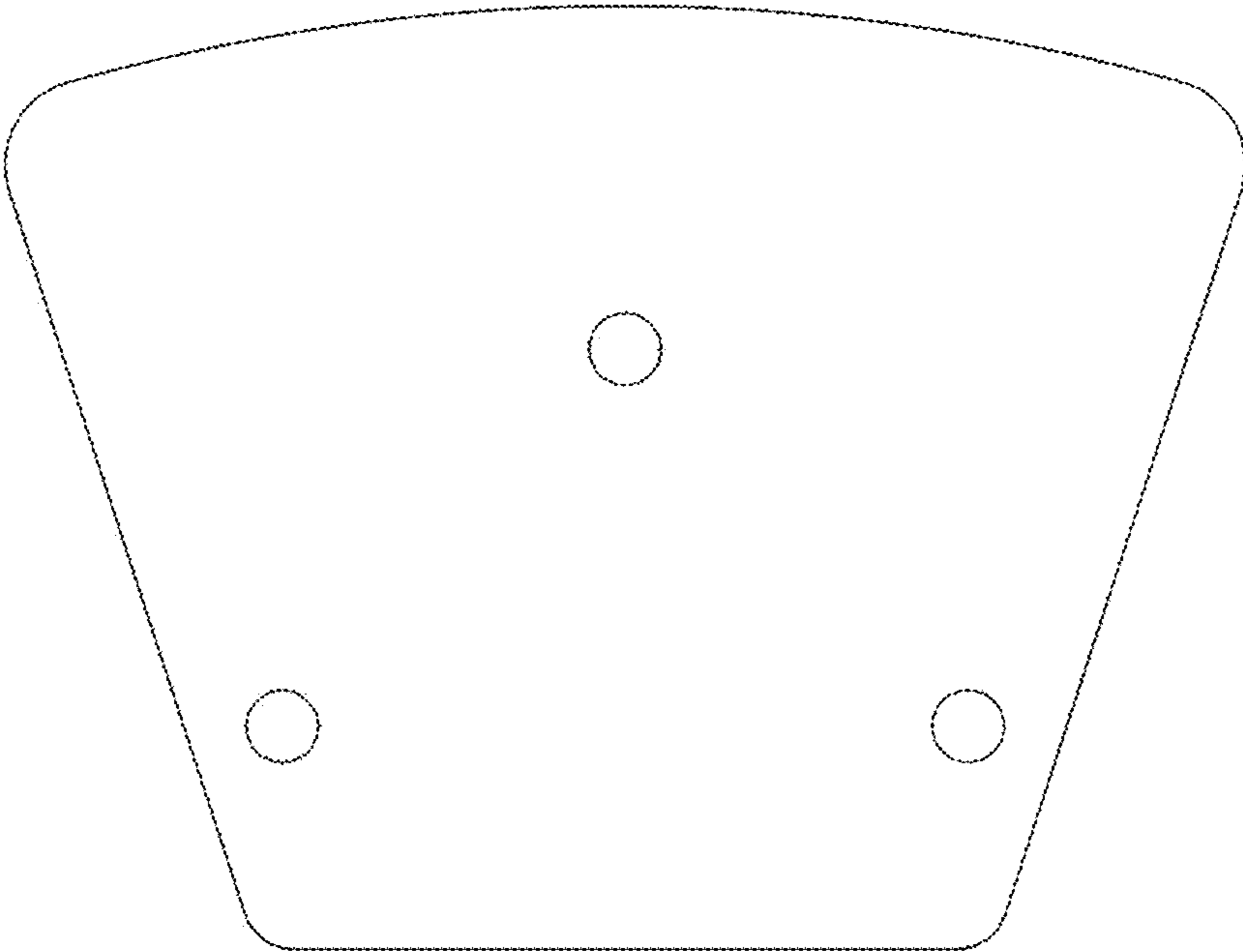


Fig. 3

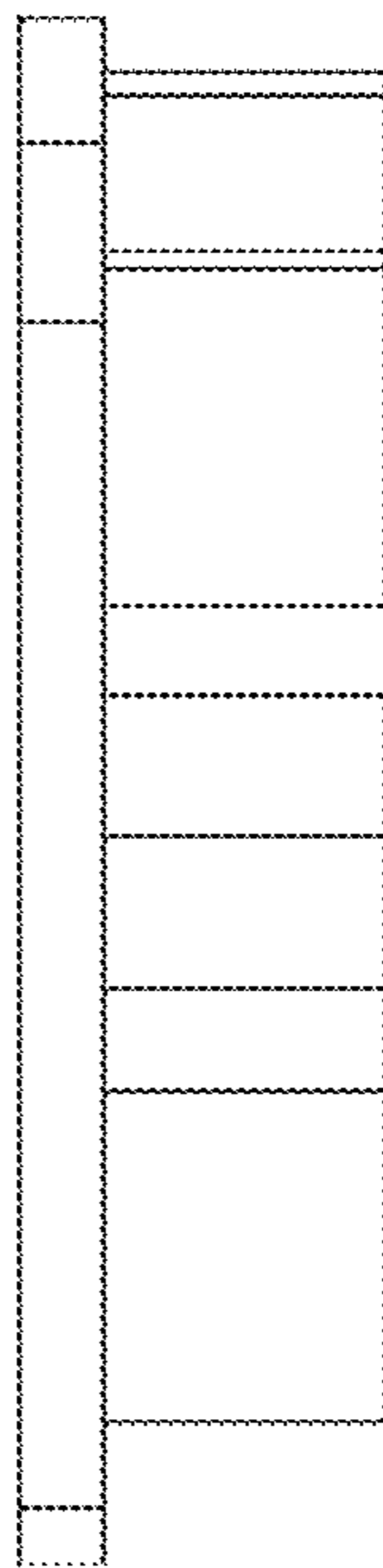


Fig. 4

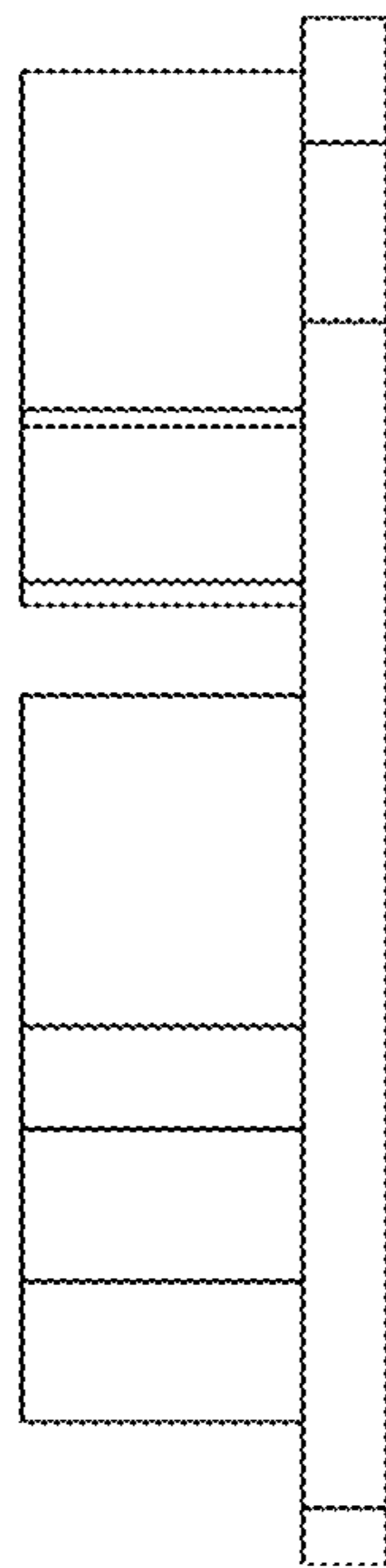


Fig. 5

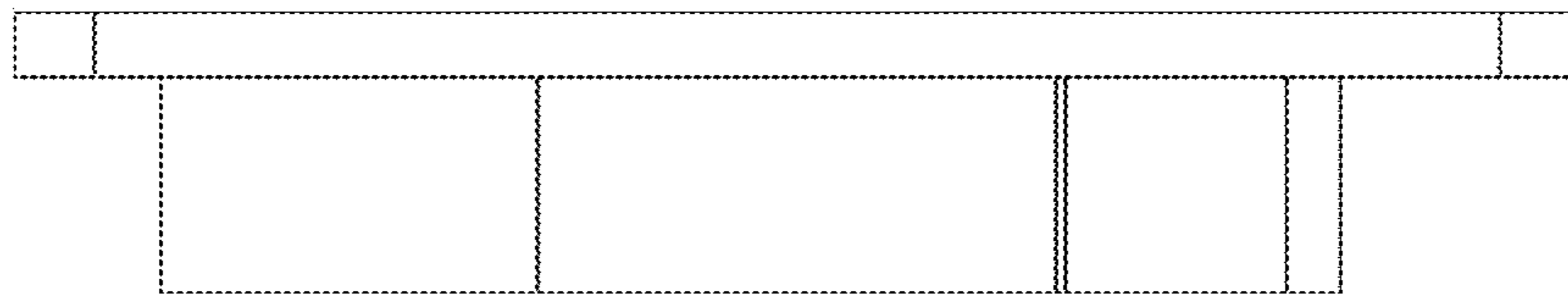


Fig. 6

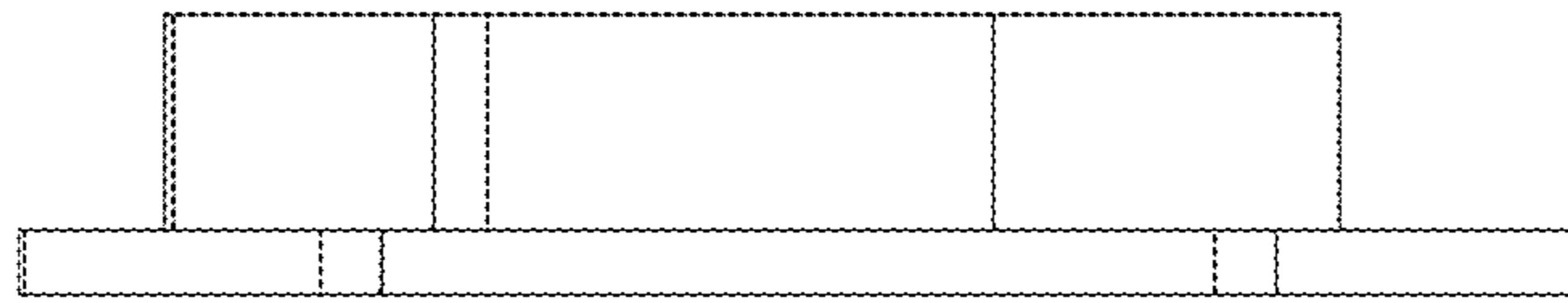


Fig.7