



US00D797823S

(12) **United States Design Patent**
Longo

(10) **Patent No.:** **US D797,823 S**

(45) **Date of Patent:** **** Sep. 19, 2017**

(54) **BRACKET FOR A PACKAGING MACHINE**

(71) Applicant: **Bobst Mex SA**, Mex (CH)

(72) Inventor: **Antonio Longo**, Prilly (CH)

(73) Assignee: **BOBST MEX SA**, Mex (CH)

(**) Term: **15 Years**

(21) Appl. No.: **29/546,999**

(22) Filed: **Nov. 30, 2015**

(30) **Foreign Application Priority Data**

Jun. 1, 2015 (EM) 001435374-0002

(51) **LOC (10) Cl.** **15-09**

(52) **U.S. Cl.**
USPC **D15/122**

(58) **Field of Classification Search**
USPC D15/122, 145, 146
CPC B65B 5/06; B65B 5/067; B65B 5/106;
B65B 7/08; B65B 9/04; B65B 31/046;
B65B 35/40; B65B 47/04
See application file for complete search history.

(56) **References Cited**

U.S. PATENT DOCUMENTS

3,245,194 A * 4/1966 Carski B65B 3/003
53/101
D241,160 S * 8/1976 Gurian D15/122

D264,723 S * 6/1982 Tsujimoto D15/145
4,531,839 A * 7/1985 Cunisse B01F 15/0201
222/63
D301,890 S * 6/1989 Silbersky D15/145
D388,103 S * 12/1997 Gotou D15/122
D395,054 S * 6/1998 Mochinzuki D15/124
D701,542 S * 3/2014 Shearer D15/128

* cited by examiner

Primary Examiner — Patricia Palasik

(74) *Attorney, Agent, or Firm* — Sterne, Kessler,
Goldstein & Fox P.L.L.C.

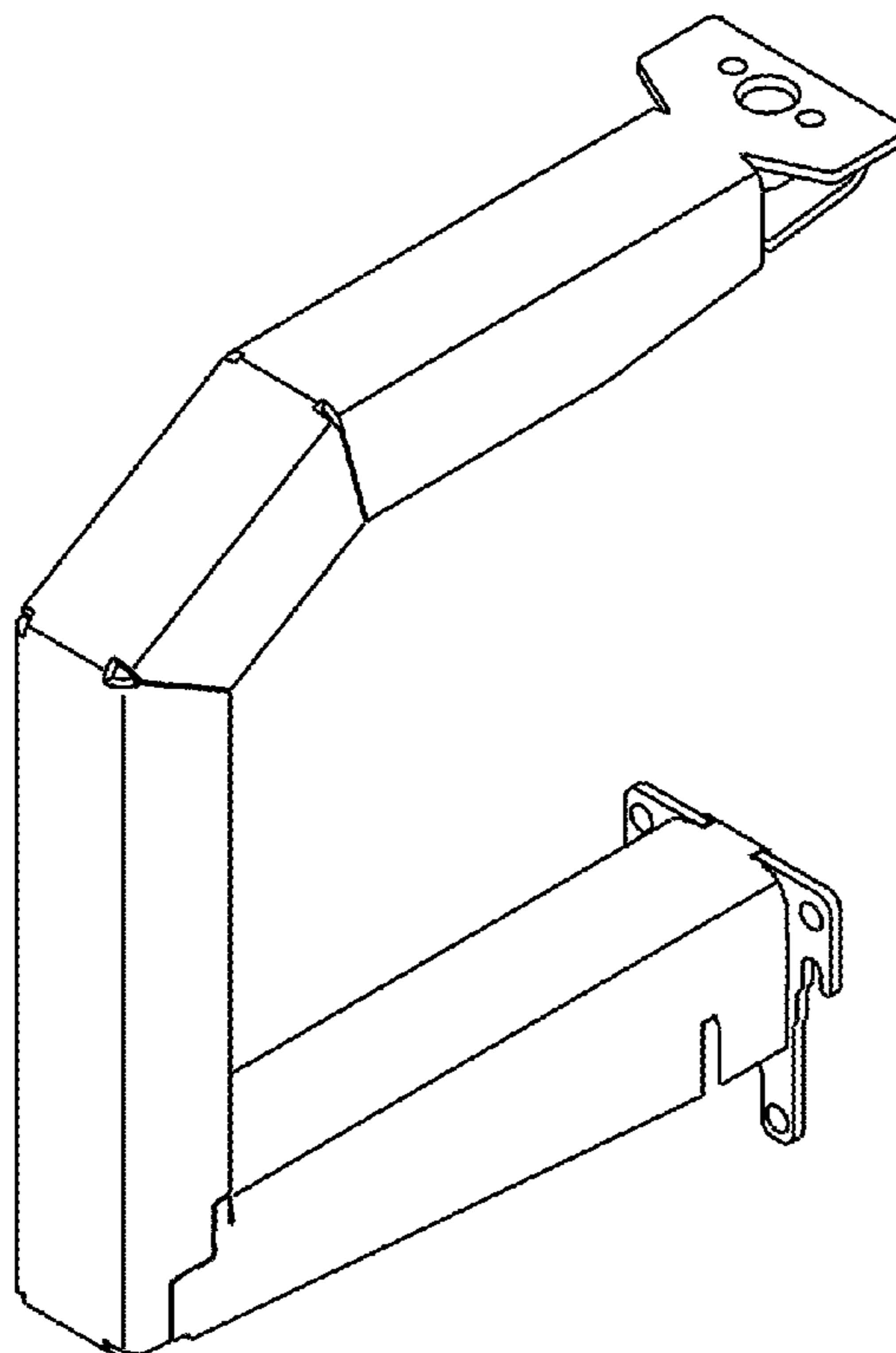
(57) **CLAIM**

The ornamental design for a bracket for a packaging machine, as shown and described.

DESCRIPTION

FIG. 1 is a front view of a bracket for a packaging machine showing my new design, the rear view being a mirror image thereof;
FIG. 2 is a left side view thereof; and,
FIG. 3 is a front perspective view thereof.
The broken lines in the figures show portions of the bracket for a packaging machine that form no part of the claimed design.
Any portions of the bracket for a packaging machine that are not disclosed are not claimed.

1 Claim, 3 Drawing Sheets



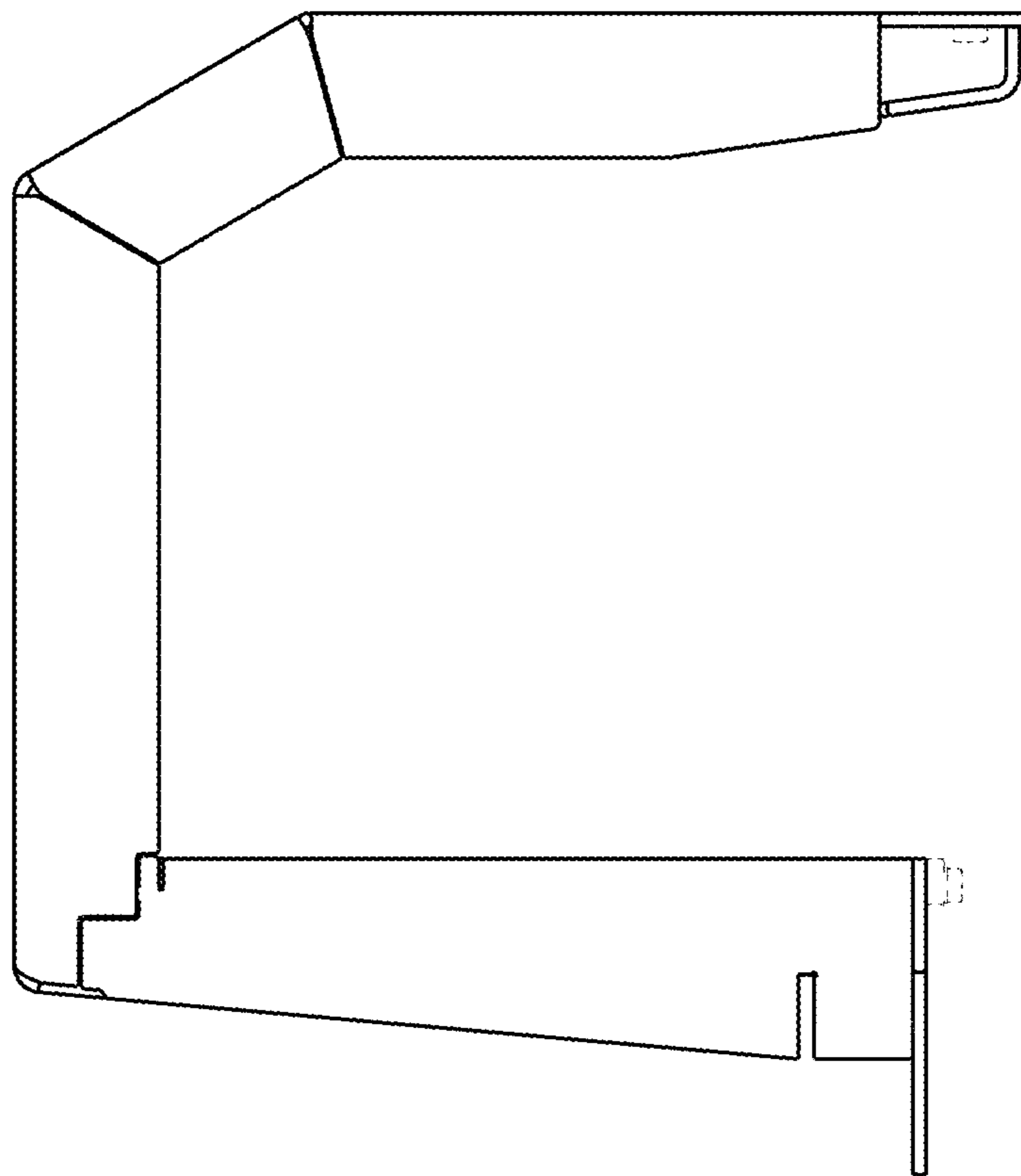


FIG. 1

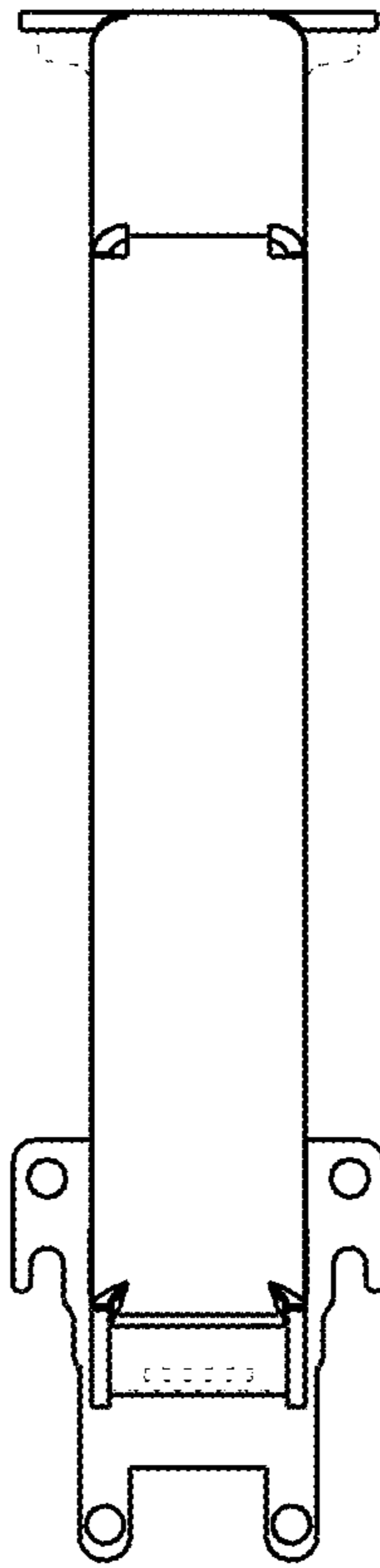


FIG. 2

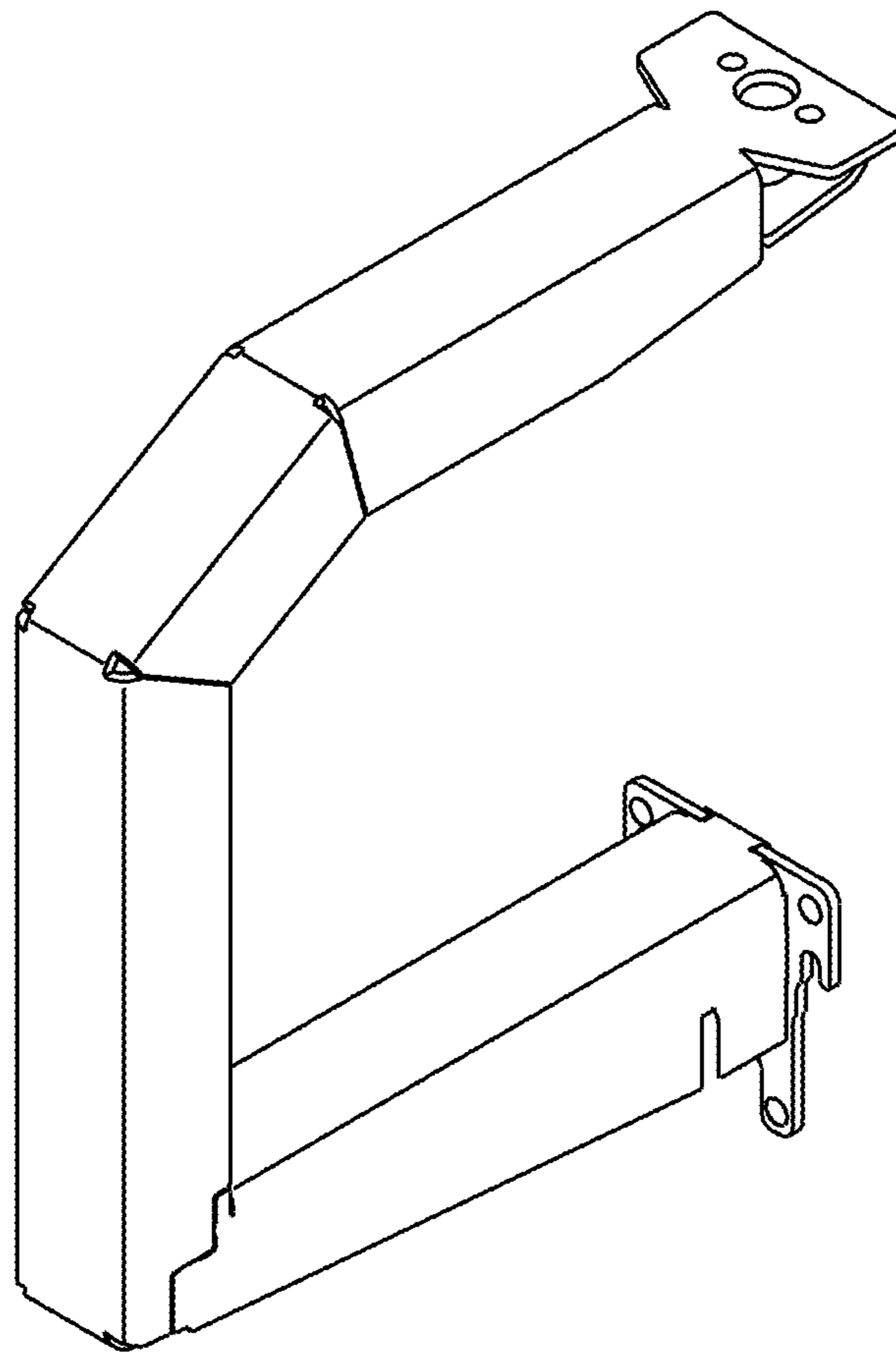


FIG. 3