



US00D797816S

(12) **United States Design Patent** (10) **Patent No.:** **US D797,816 S**
Hoover (45) **Date of Patent:** **** Sep. 19, 2017**

(54) **SAFETY COVER FOR OVERFEED TEXTILE MACHINES**

(71) Applicant: **American Linc, LLC**, Gastonia, NC (US)
 (72) Inventor: **Donald Lynn Hoover**, Clover, SC (US)
 (73) Assignee: **American Linc, LLC**, Gastonia, NC (US)

(**) Term: **15 Years**

(21) Appl. No.: **29/554,556**

(22) Filed: **Feb. 12, 2016**

(51) **LOC (10) Cl.** **15-06**

(52) **U.S. Cl.**
USPC **D15/78**

(58) **Field of Classification Search**
 USPC D15/66–78; D25/103, 136, 164
 CPC B65H 2701/31; B65H 51/22; B65H 59/18;
 B65H 59/388; B65H 49/12; B65H
 2701/319; B65H 49/16; B65H 51/20;
 B65H 51/30; B65H 54/26; B65H 57/003;
 B65H 57/006; B65H 59/00; B65H 59/36;
 B65H 61/005; B65H 63/06; B65H
 63/086; B65H 63/865; B65H 2301/5144;
 B65H 2701/311; B65H 51/02; B65H
 51/06; B65H 51/205; B65H 54/02; B65H
 54/28; B65H 54/70; B65H 57/02; B65H
 57/04; B65H 57/14; B65H 57/18; B65H
 57/22; B65H 59/06; B65H 59/22; B65H
 59/225; B65H 59/26; B65H 59/30; B65H
 59/38; B65H 59/40; B65H 63/00; B65H
 63/003; B65H 63/024; B65H 63/04;
 B65H 63/062; B65H 63/064; B65H
 63/065; B65H 63/08; B65H 63/082;
 B65H 67/02; B65H 67/048; B65H
 67/085; B65H 69/06; B65H 69/061

See application file for complete search history.

(56) **References Cited**

U.S. PATENT DOCUMENTS

D203,797 S *	2/1966	Conway	D15/78
D497,170 S *	10/2004	Egami	D15/78
D499,751 S *	12/2004	Egami	D15/66
D659,723 S *	5/2012	Hoover	D15/78
D739,036 S *	9/2015	McAviney	D24/200
2007/0101503 A1 *	5/2007	Dennewald	A47G 9/1081 5/638

* cited by examiner

Primary Examiner — Ian Simmons

Assistant Examiner — Khawaja Anwar

(74) *Attorney, Agent, or Firm* — Schwartz Law Firm, P.C.

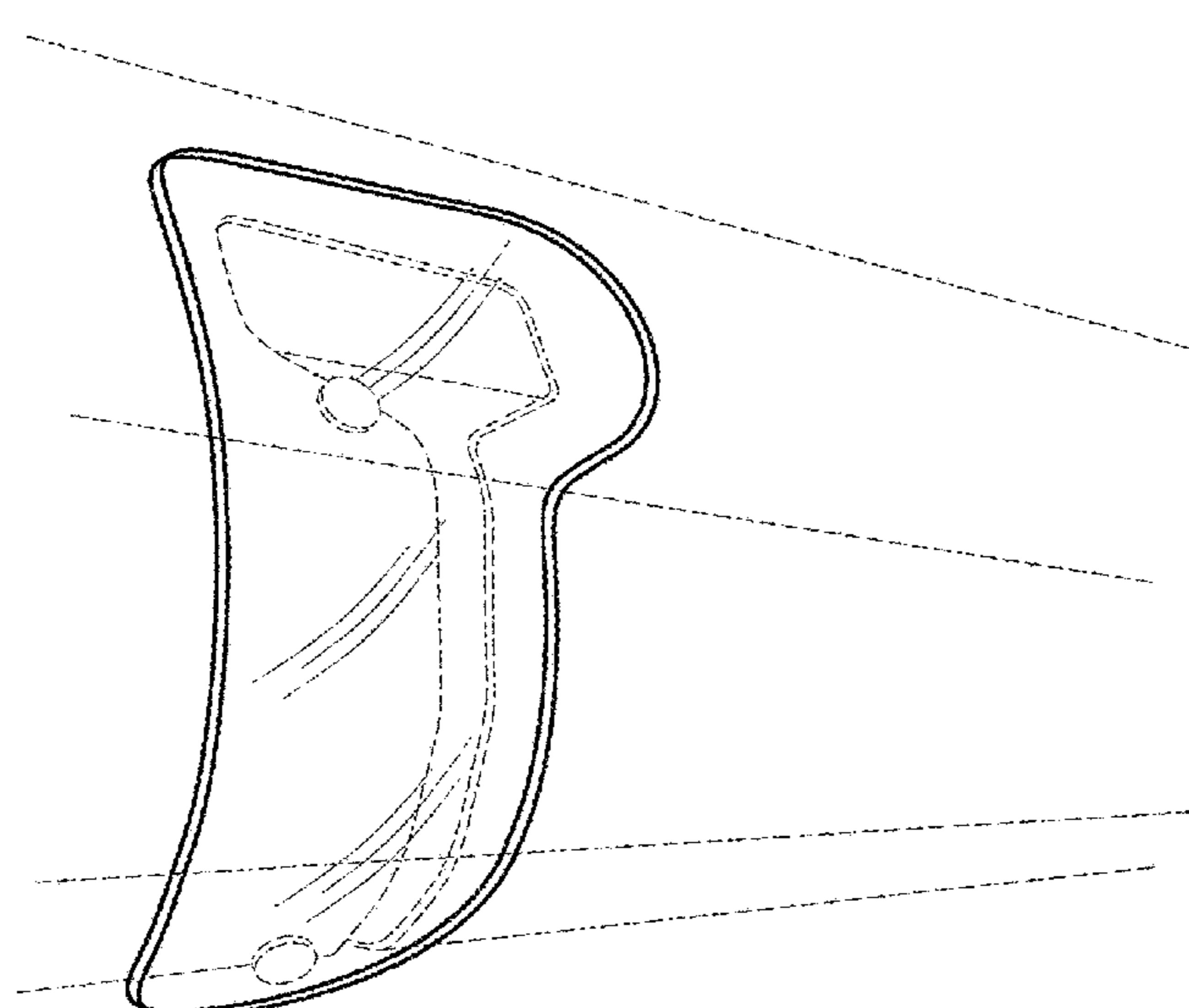
(57) **CLAIM**

The ornamental design for a safety cover for overfeed textile machines, as shown and described.

DESCRIPTION

FIG. 1 is a perspective view of a safety cover for overfeed textile machines showing my new design, in a usage condition;
 FIG. 2 is a perspective view of a safety cover for overfeed textile machines;
 FIG. 3 is another perspective view thereof;
 FIG. 4 is a bottom plan view thereof;
 FIG. 5 is a left side elevation view thereof;
 FIG. 6 is a right side elevation view thereof;
 FIG. 7 is a front elevation view thereof;
 FIG. 8 is a top plan view thereof; and,
 FIG. 9 is a bottom plan view thereof.
 The broken lines in the drawings represent unclaimed environment only and form no part of the claimed design.

1 Claim, 5 Drawing Sheets



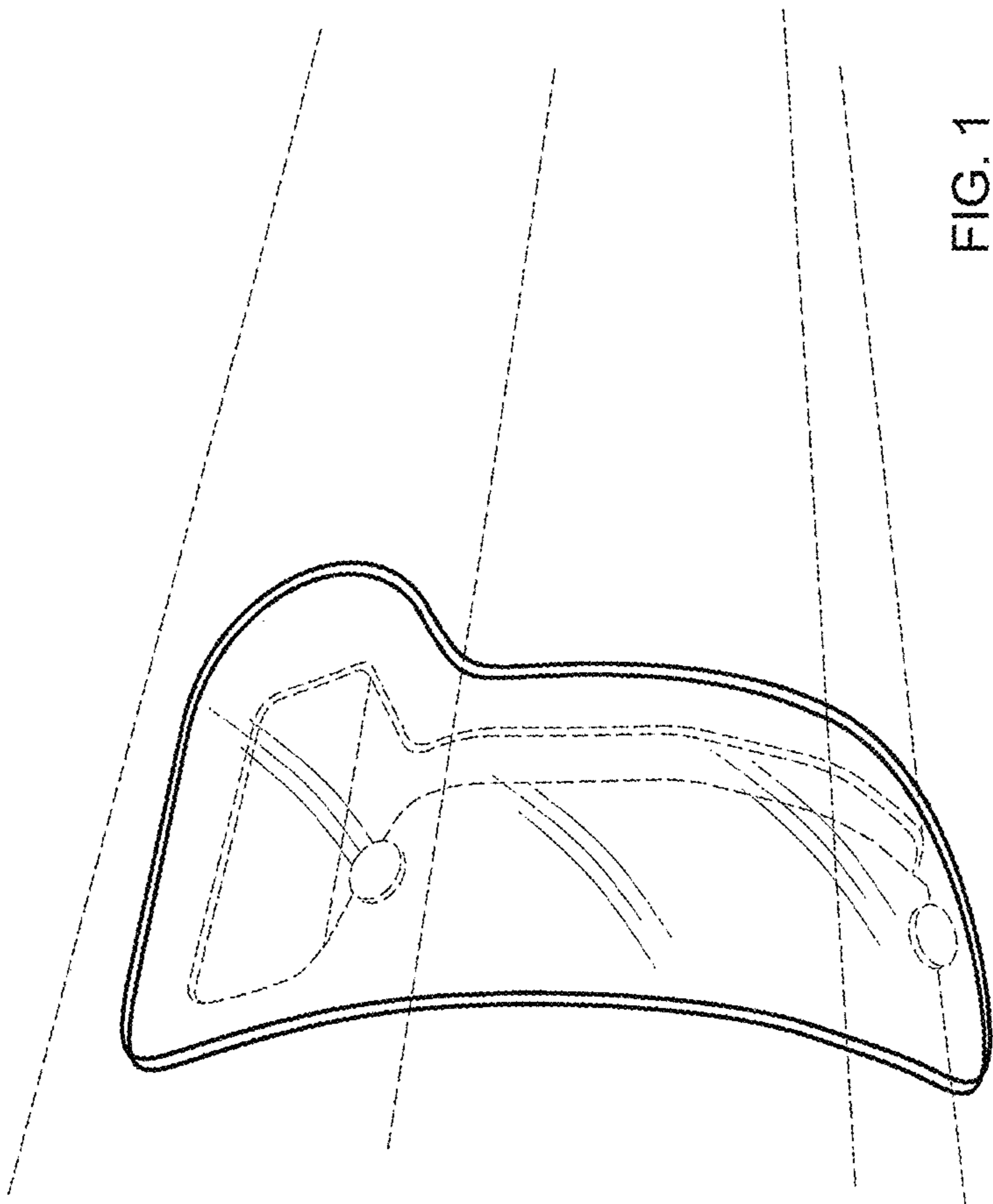


FIG. 1

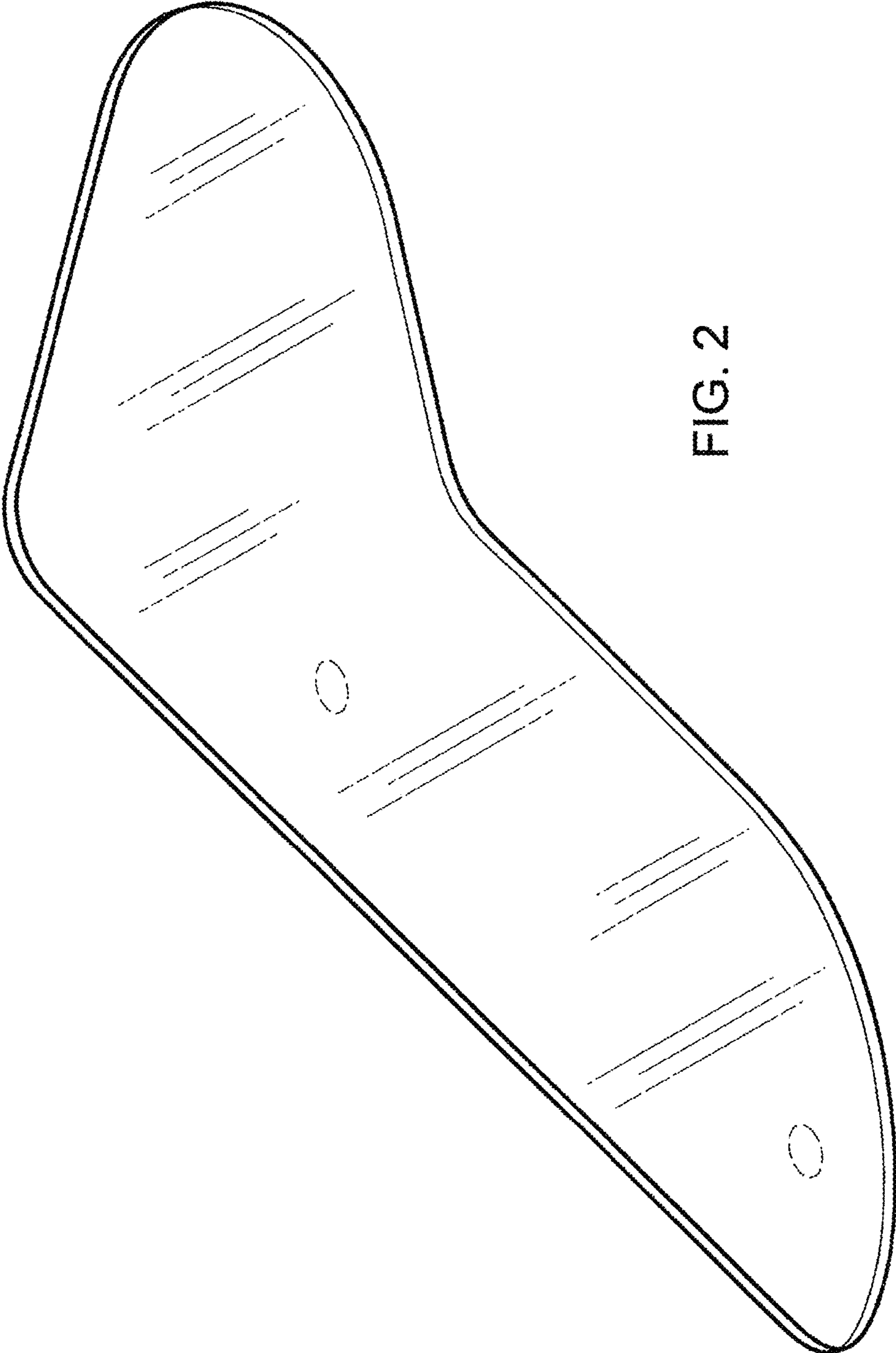


FIG. 2

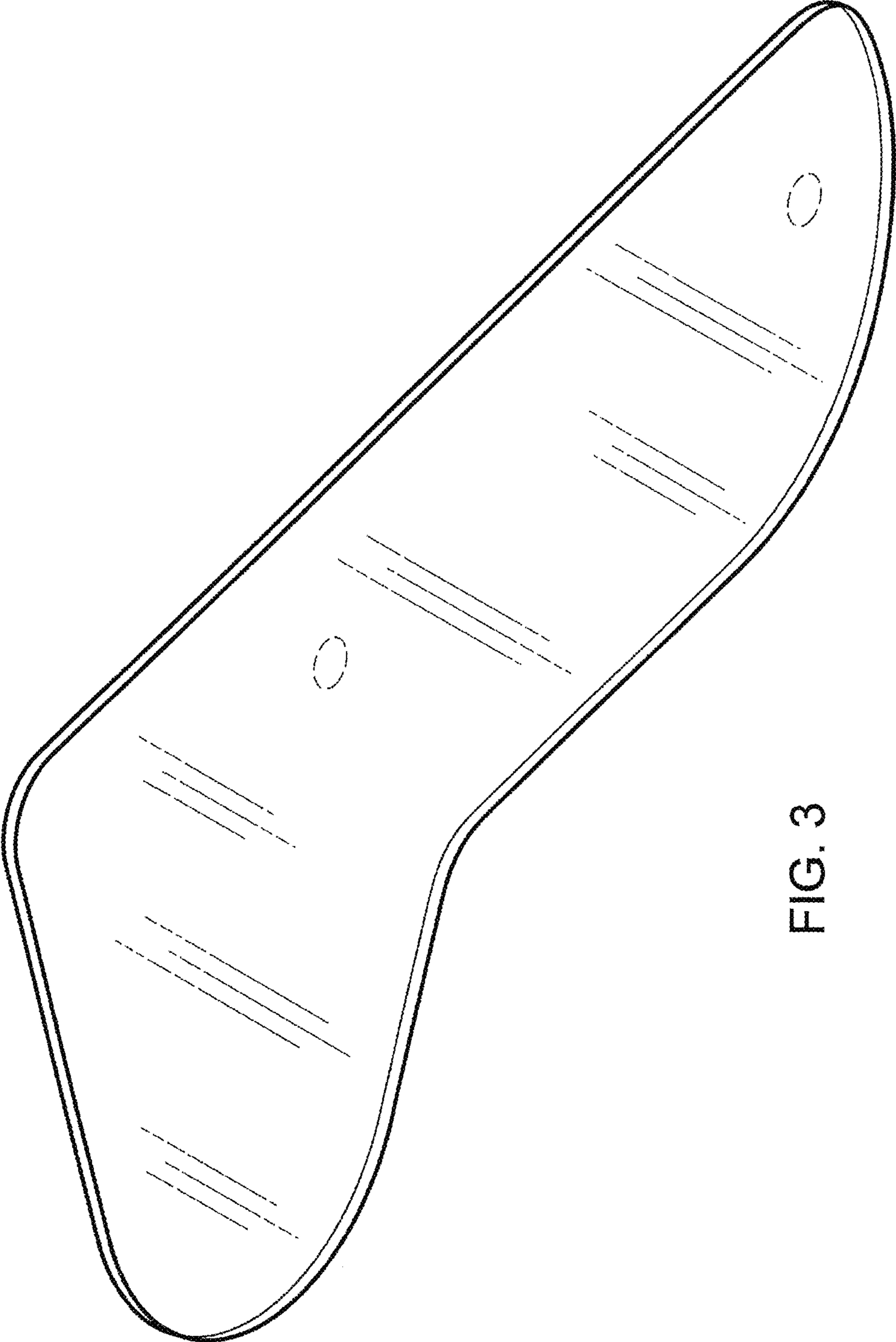


FIG. 3

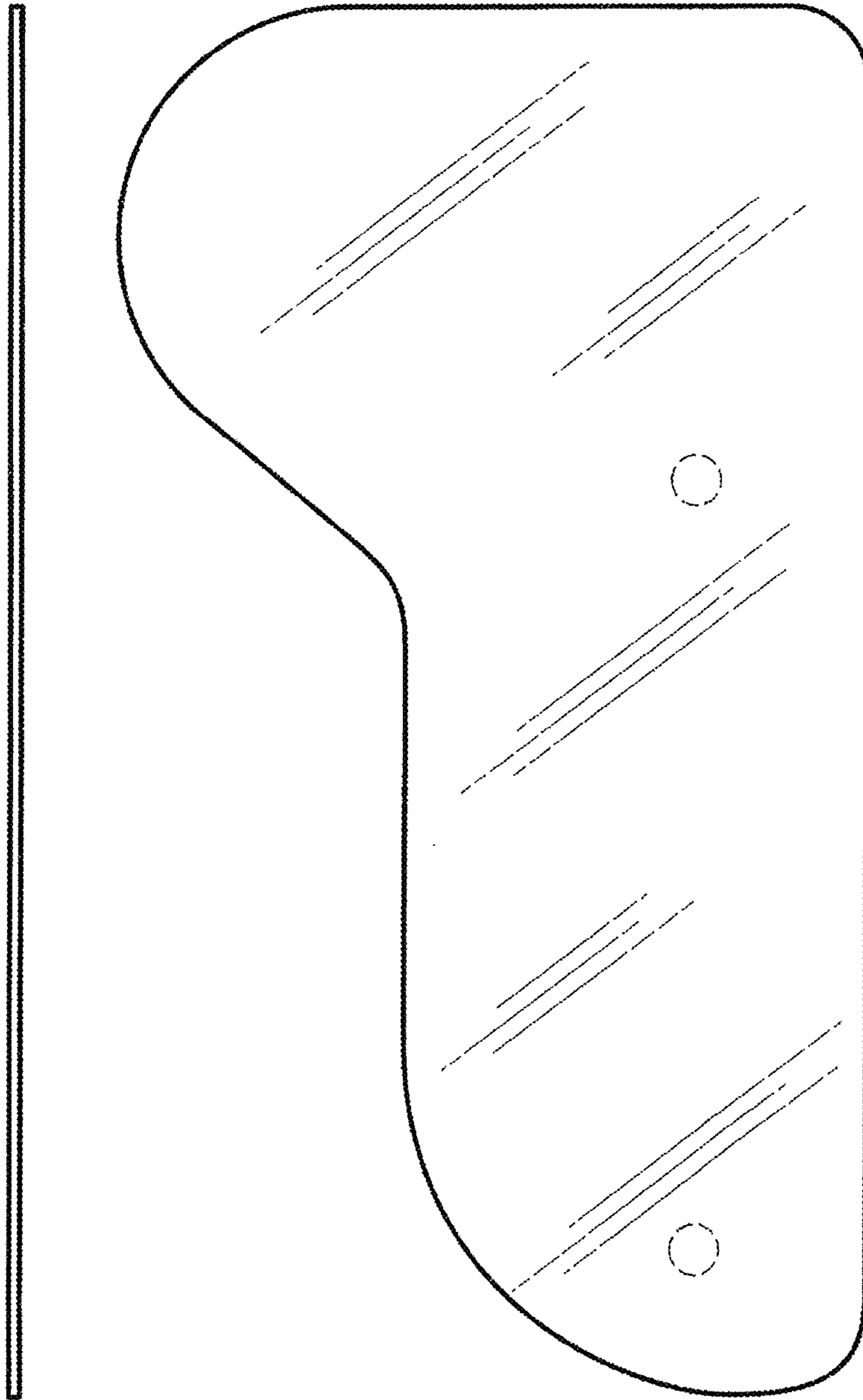


FIG. 6

FIG. 4

FIG. 5

FIG. 9

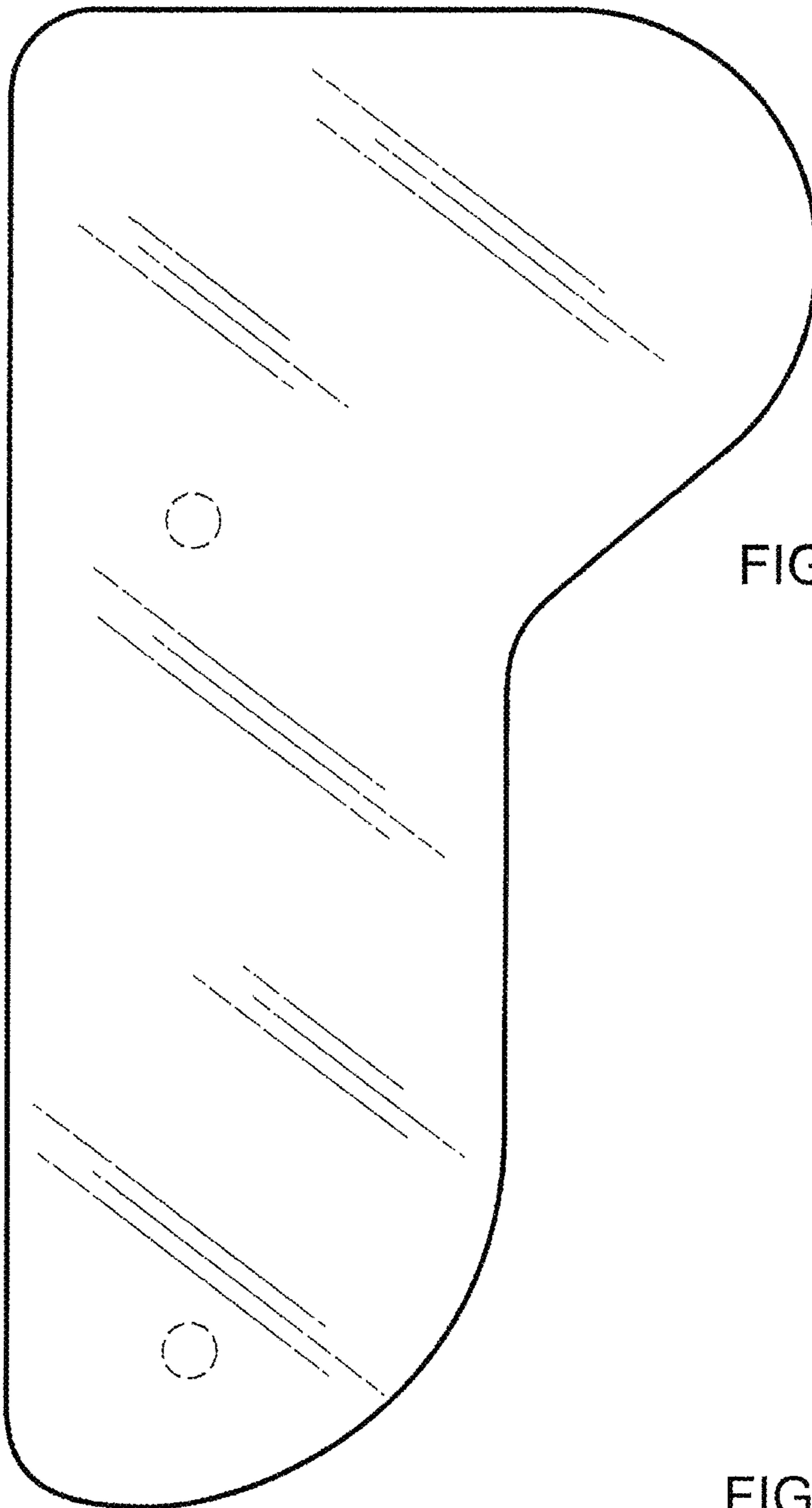


FIG. 8

FIG. 7

