



US00D797814S

(12) **United States Design Patent** (10) **Patent No.:** **US D797,814 S**  
**Hashimoto et al.** (45) **Date of Patent:** **\*\* Sep. 19, 2017**

- (54) **BACKHOE**
- (71) Applicant: **Kubota Corporation**, Osaka-shi (JP)
- (72) Inventors: **Ryo Hashimoto**, Sakai (JP); **Kiyoshi Matsui**, Sakai (JP); **Megumi Miyamoto**, Sakai (JP); **Koji Nagahama**, Sakai (JP)
- (73) Assignee: **Kubota Corporation**, Osaka (JP)
- (\*\*) Term: **15 Years**
- (21) Appl. No.: **29/560,381**
- (22) Filed: **Apr. 6, 2016**
- (51) **LOC (10) Cl.** ..... **15-03**
- (52) **U.S. Cl.**  
 USPC ..... **D15/28**
- (58) **Field of Classification Search**  
 USPC .... D15/10, 22–26, 28, 30, 31, 33; 180/89.1, 180/89.12, 89.13, 900, 9.1, 9.2, 9.62; 37/379; 414/694, 699, 722–724, 660, 414/685, 698, 719, 743  
 CPC .. E02F 9/0866; E02F 9/18; E02F 3/32; F01N 13/001; F01N 2590/08  
 See application file for complete search history.

D680,136 S *	4/2013	Tsukamoto	.....	D15/28
D725,683 S *	3/2015	Payne	.....	D15/31
D727,370 S *	4/2015	Payne	.....	D15/31
D728,638 S *	5/2015	Payne	.....	D15/31
D728,639 S *	5/2015	Payne	.....	D15/31
D742,934 S *	11/2015	Kushita	.....	D15/25
D749,150 S *	2/2016	Payne	.....	D15/31
D749,646 S *	2/2016	Turner	.....	D15/28
D767,644 S *	9/2016	Underhill	.....	D15/28

**OTHER PUBLICATIONS**

Kubota Tractor Corporation, “Kubota Power Utility Excavator: KX080-4”, Dec. 11, 2014.

\* cited by examiner

*Primary Examiner* — Mark Goodwin

(74) *Attorney, Agent, or Firm* — The Webb Law Firm

(57) **CLAIM**

The ornamental design for a backhoe, as shown and described.

**DESCRIPTION**

FIG. 1 is a front view of a backhoe showing our new design; FIG. 2 is a rear view thereof; FIG. 3 is a left side view thereof; FIG. 4 is a right side view thereof; FIG. 5 is a top view thereof; FIG. 6 is an upper right rear perspective view thereof; FIG. 7 is an enlarged rear view of a portion thereof; and, FIG. 8 is an enlarged upper right rear perspective view of a portion thereof.

A bottom view is omitted because it is plain and unornamental and forms no part of the subject matter of the claimed design.

The broken lines in the drawings are directed to environment and form no part of the claimed design.

**1 Claim, 8 Drawing Sheets**

(56) **References Cited**  
 U.S. PATENT DOCUMENTS

D490,444 S *	5/2004	Kuwa	.....	D15/33
D506,211 S *	6/2005	Kuwa	.....	D15/33
D528,568 S *	9/2006	Kuwa	.....	D15/28
D529,933 S *	10/2006	Kuwa	.....	D15/28
D555,675 S *	11/2007	Matsubara	.....	D15/25
D559,279 S *	1/2008	Sakitani	.....	D15/28
D582,947 S *	12/2008	Ueta	.....	D15/28
D587,285 S *	2/2009	Murakami	.....	D15/28
D614,205 S *	4/2010	Kuwa	.....	D15/25
D678,358 S *	3/2013	Hiraoka	.....	D15/28
D678,359 S *	3/2013	Hagura	.....	D15/28

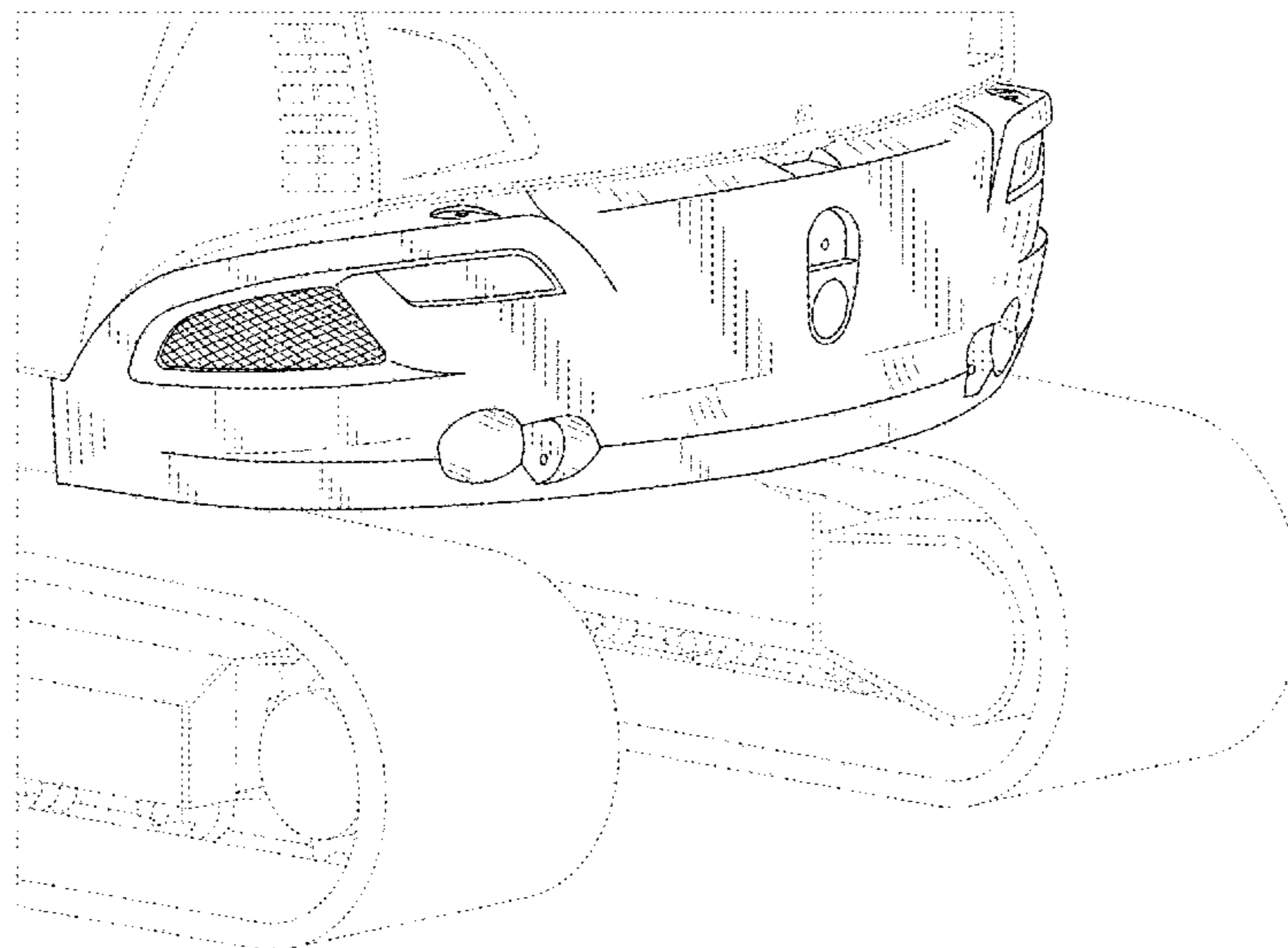


Fig.1

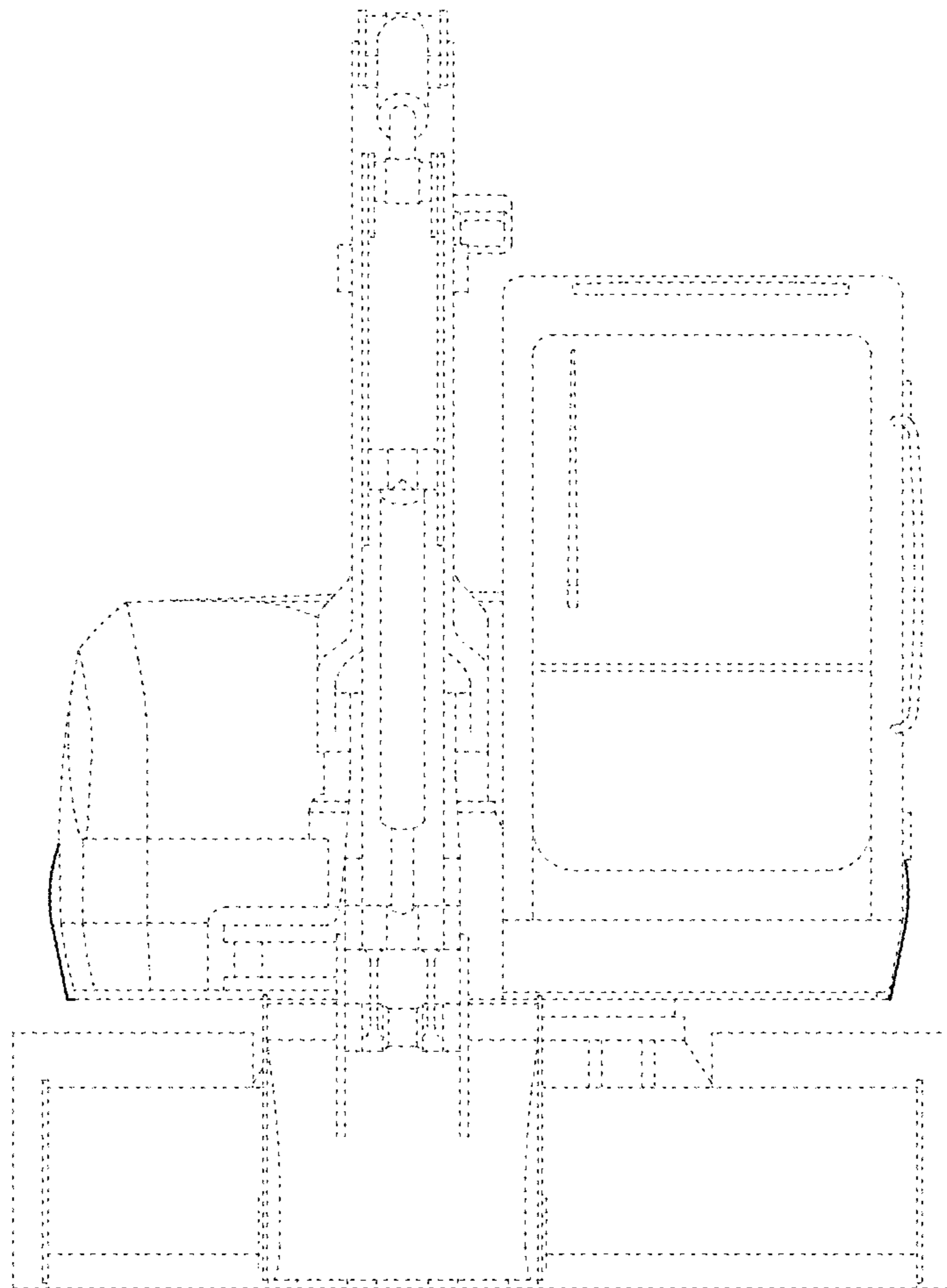


Fig.2

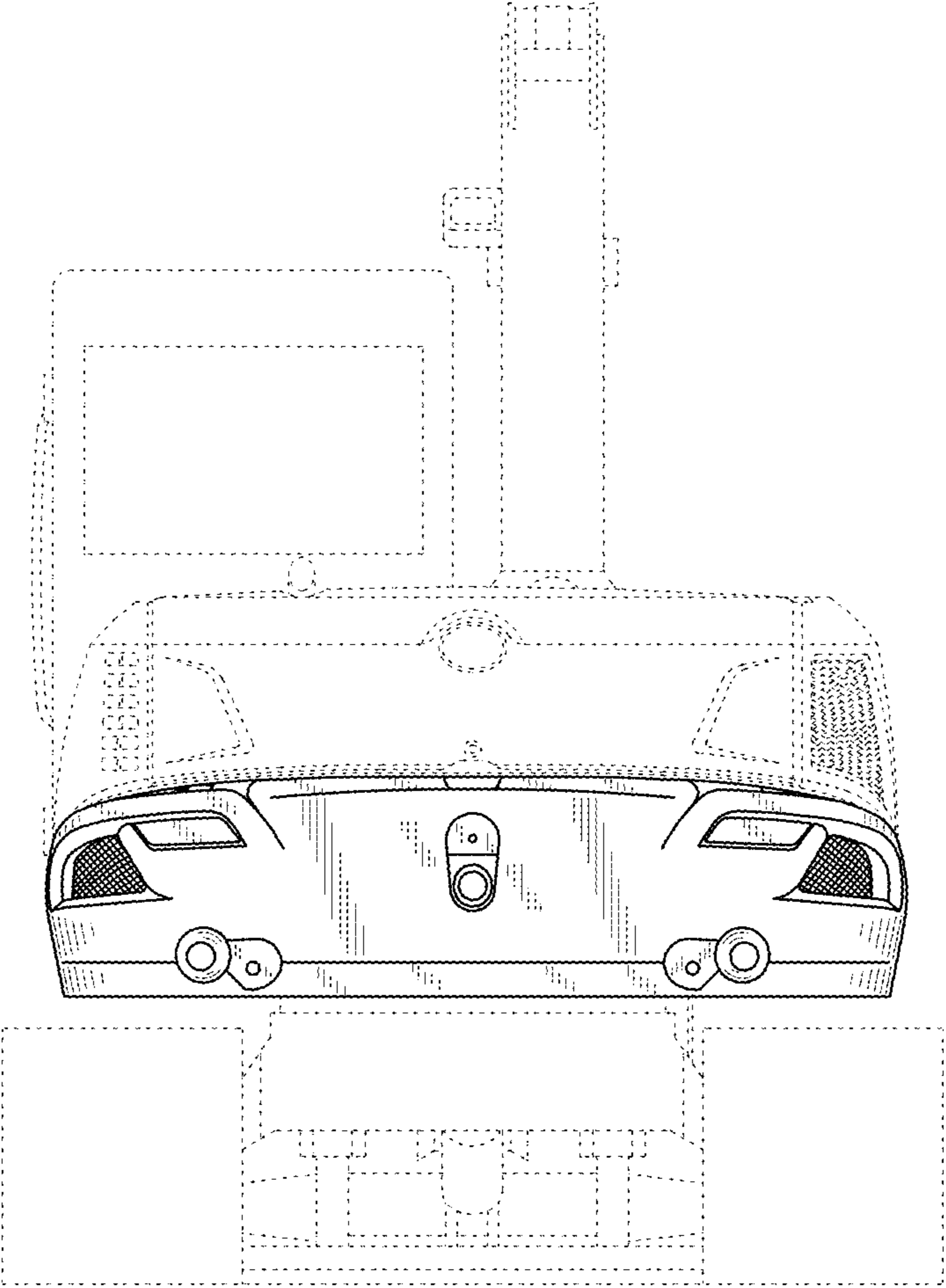


Fig. 3

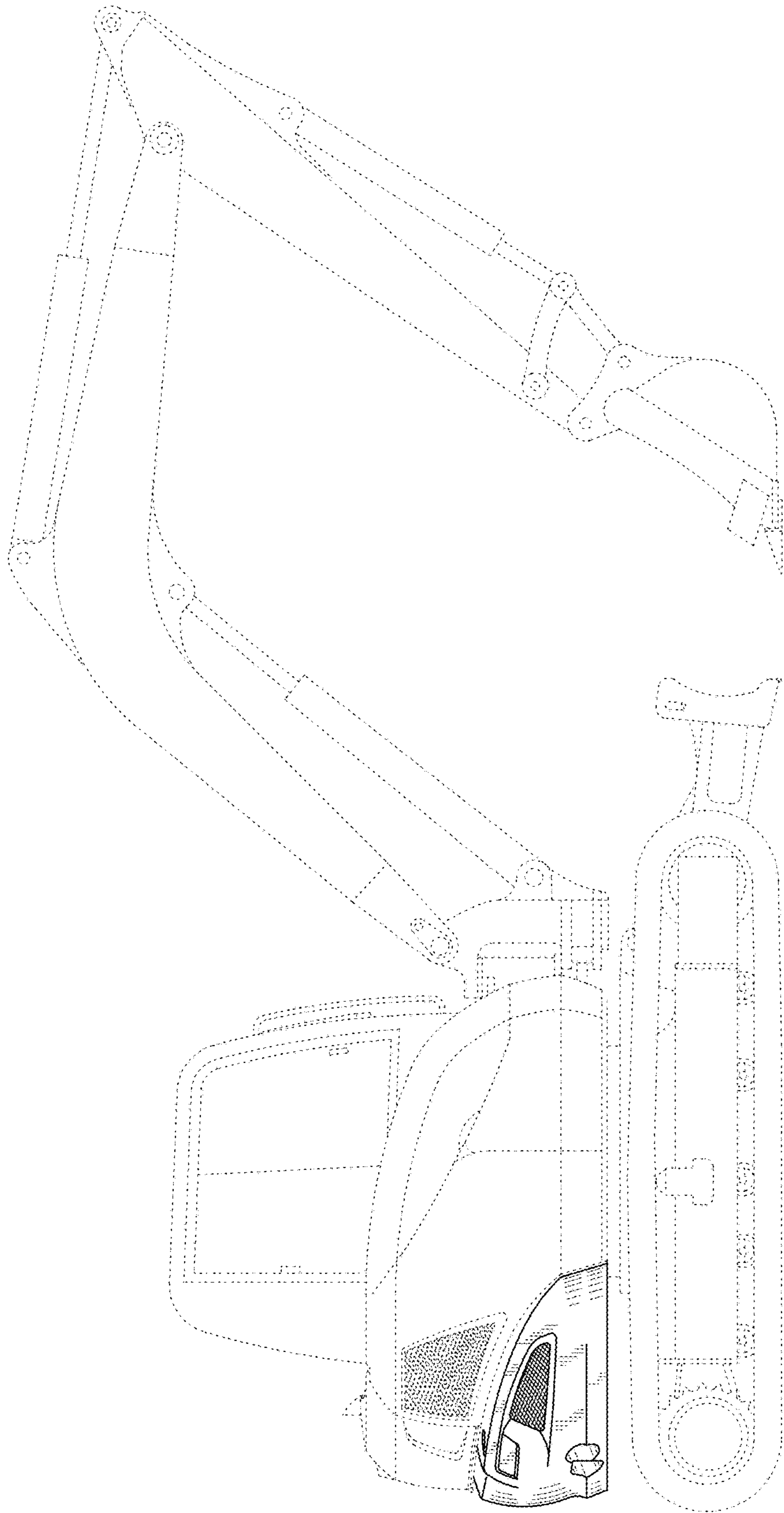


Fig.4

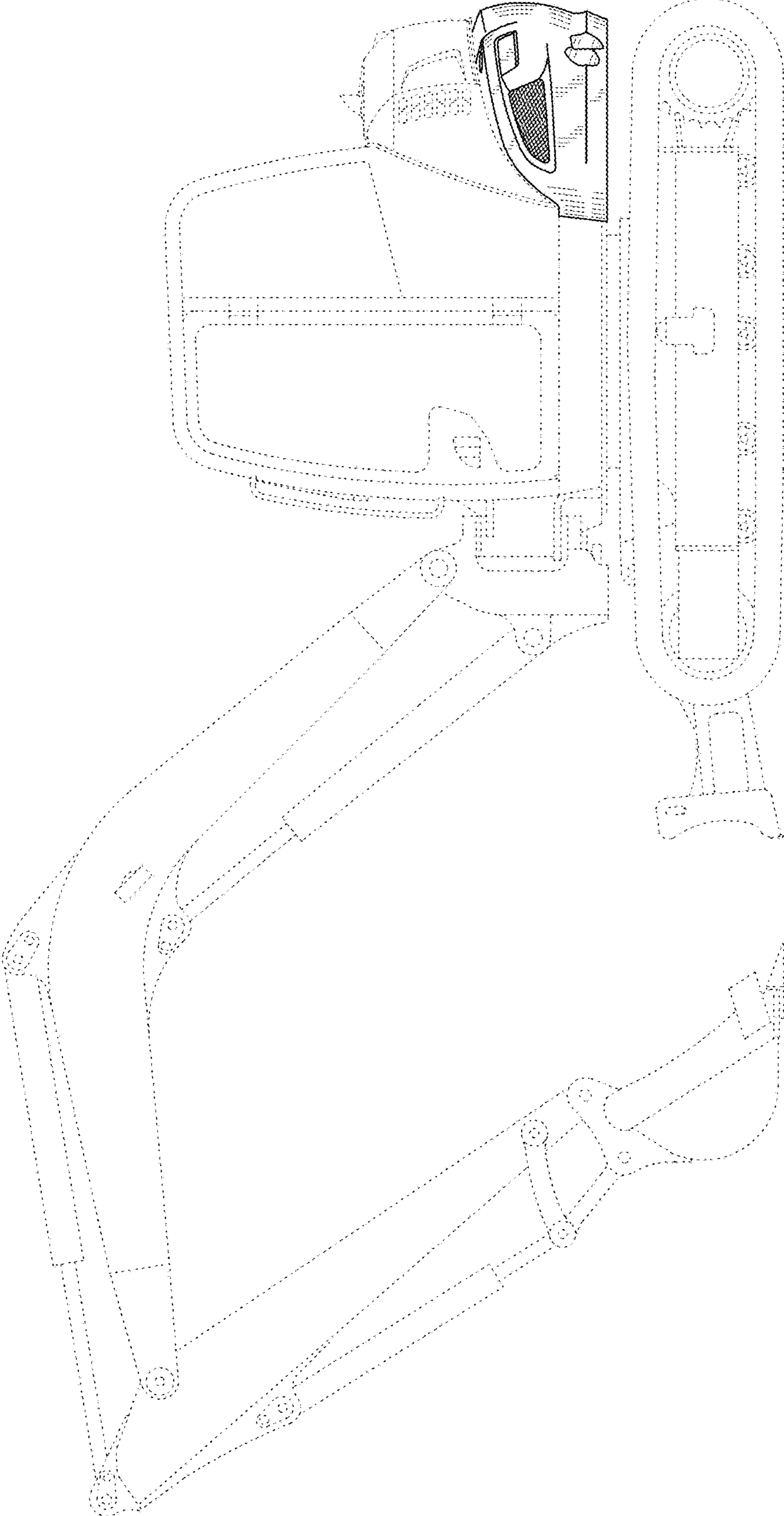


Fig.5

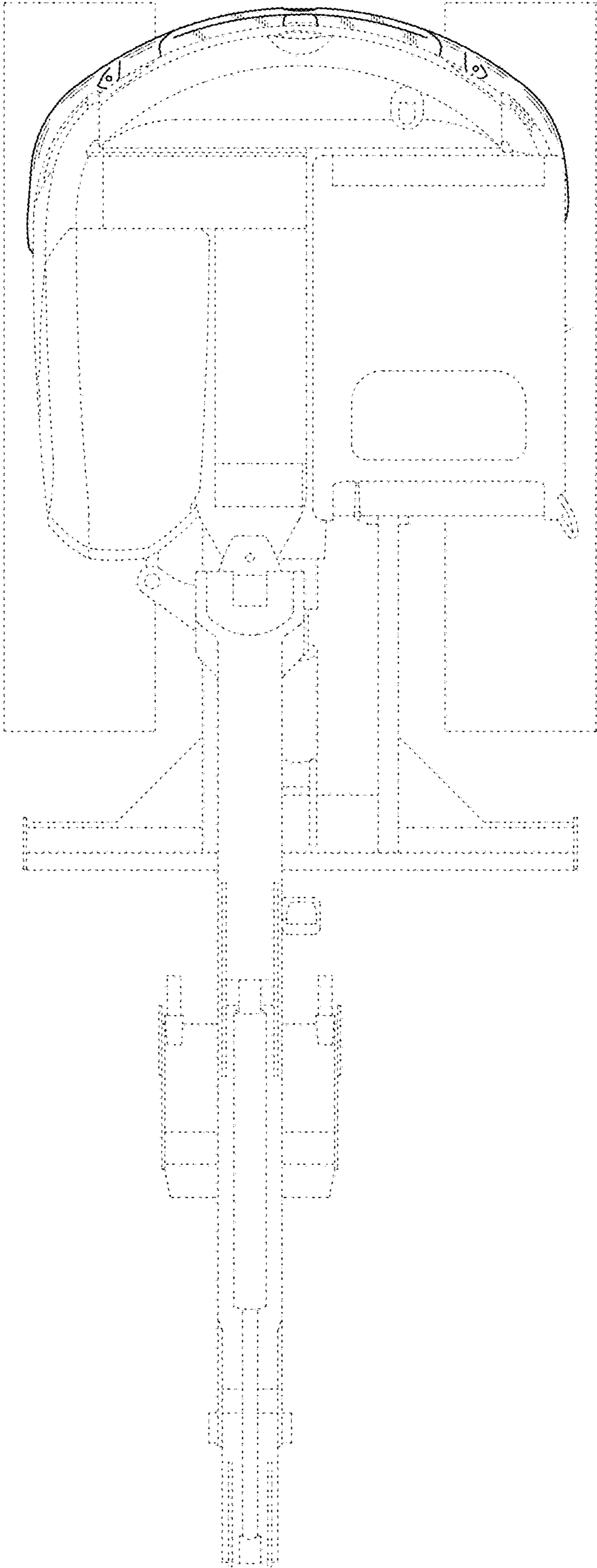


Fig. 6

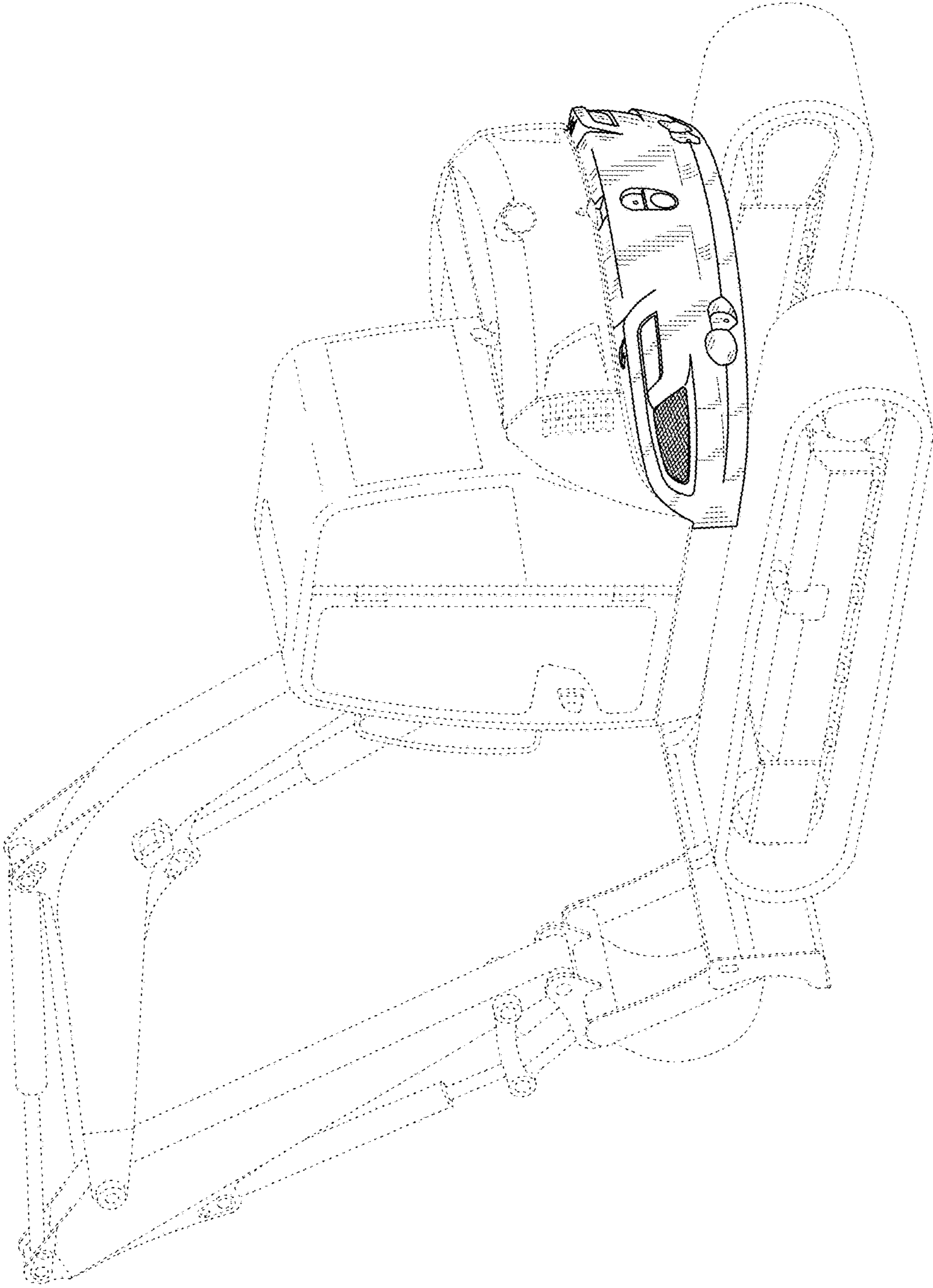


Fig.7

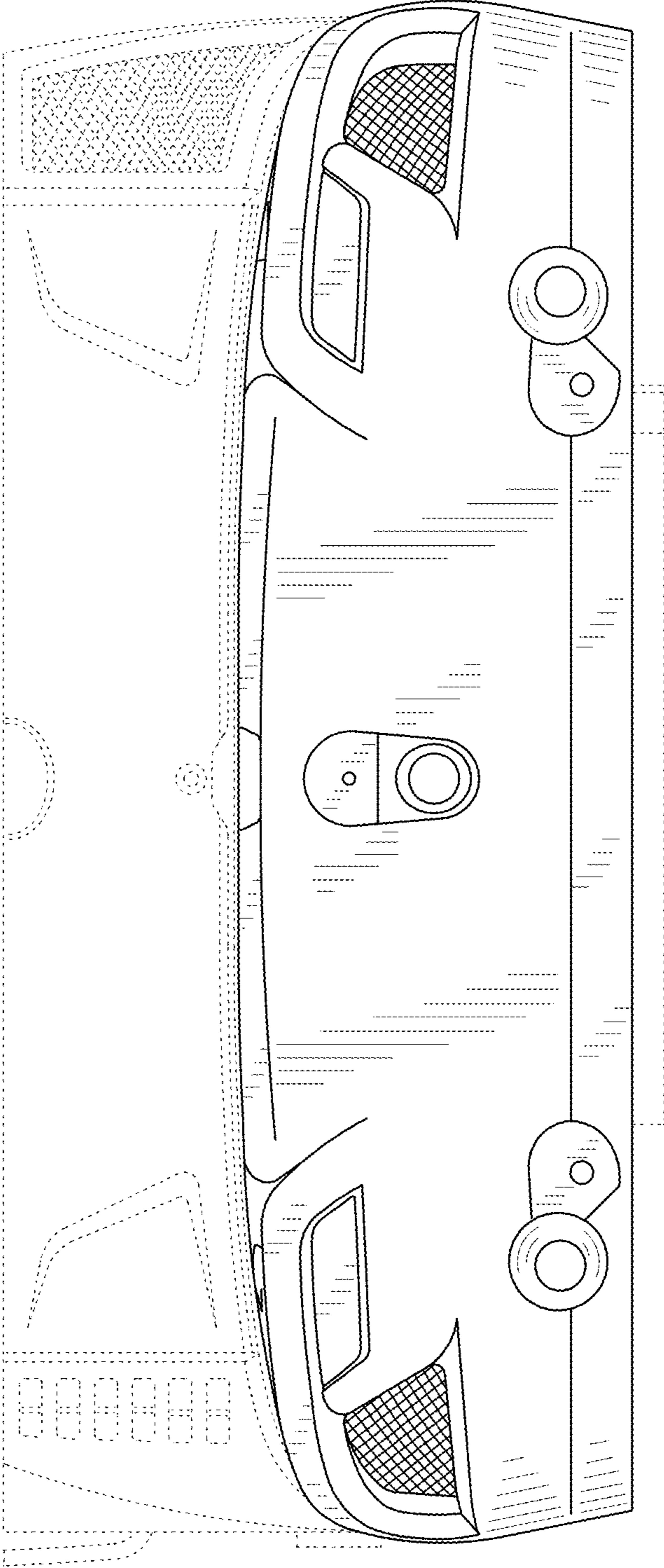




Fig.8

