



US00D797813S

(12) **United States Design Patent**
Budde

(10) **Patent No.:** **US D797,813 S**

(45) **Date of Patent:** **** Sep. 19, 2017**

(54) **HARVESTER**

(71) Applicant: **CLAAS KGaA mbH**, Harsewinkel
(DE)

(72) Inventor: **Paul Budde**, Muenster (DE)

(73) Assignee: **CLAAS KGaA mbH**, Harsewinkel
(DE)

(**) Term: **15 Years**

(21) Appl. No.: **29/573,700**

(22) Filed: **Aug. 9, 2016**

(30) **Foreign Application Priority Data**

Feb. 22, 2016 (EP) 002997072

(51) **LOC (10) Cl.** **15-03**

(52) **U.S. Cl.**
USPC **D15/26**

(58) **Field of Classification Search**

USPC D15/10-12, 22-26, 28; 56/14.5-14.7,
56/16.6, 122-125; 296/190, 191;
460/83, 119; 180/89.1, 89.12
CPC A01B 73/00; A01D 75/00; A01D 41/06;
A01D 41/1208; A01D 41/00; A01D
67/00; A01D 45/00; A01D 45/02; A01D
45/021; A01D 43/081

See application file for complete search history.

(56) **References Cited**

U.S. PATENT DOCUMENTS

D253,057 S * 10/1979 Fachini D15/26
4,428,182 A * 1/1984 Allen A01D 41/1208
280/492

D309,738 S * 8/1990 Schober D15/26
5,904,365 A * 5/1999 Dillon B62D 13/005
180/14.1
6,282,875 B1 * 9/2001 Holtkotte A01B 73/00
56/228
7,003,938 B2 * 2/2006 Erdmann A01D 41/144
212/223
D568,342 S * 5/2008 Kleingraeber D15/26
D599,830 S * 9/2009 Jacobsthal D15/26
D619,627 S * 7/2010 Budde D15/28
D639,826 S * 6/2011 Barreilmeyer D15/26
D717,345 S * 11/2014 Budde D15/26
2003/0037527 A1 * 2/2003 Hettiger A01D 43/087
56/16.6

* cited by examiner

Primary Examiner — Mark Goodwin

(74) *Attorney, Agent, or Firm* — Michael J. Striker

(57) **CLAIM**

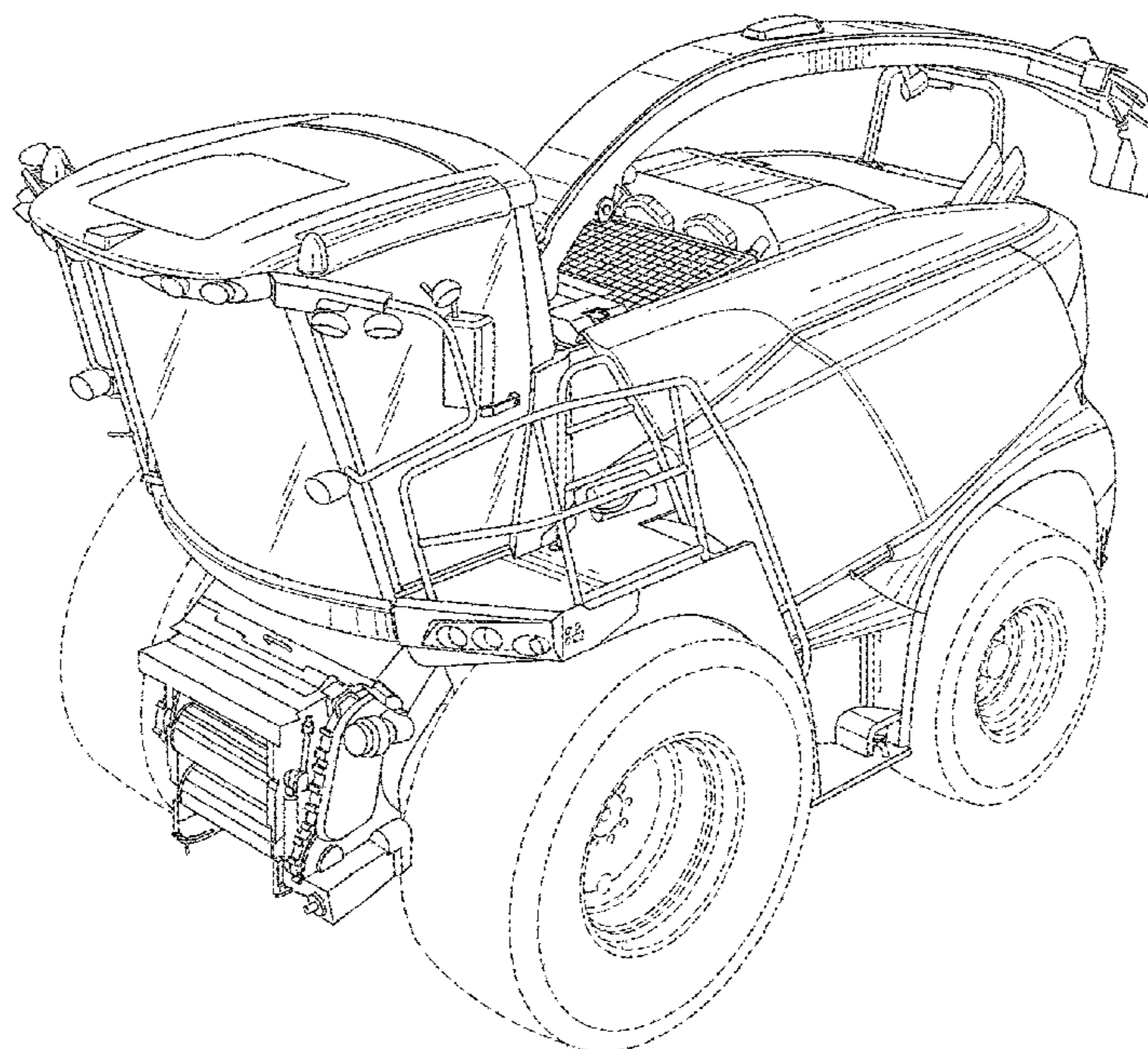
The ornamental design for a harvester, as shown and described.

DESCRIPTION

FIG. 1 is a front right perspective view of a harvester showing my new design;
FIG. 2. Is a front left perspective view thereof;
FIG. 3 is a rear right perspective view thereof;
FIG. 4 is a rear left perspective view thereof;
FIG. 5 is a front elevation view thereof;
FIG. 6 is a rear elevation view thereof;
FIG. 7 is a left side elevation view thereof; and,
FIG. 8 is a right side elevation view thereof.

The broken line showing of the wheels is included for the purpose of illustrating environmental structure only and forms no part of the claimed design.

1 Claim, 8 Drawing Sheets



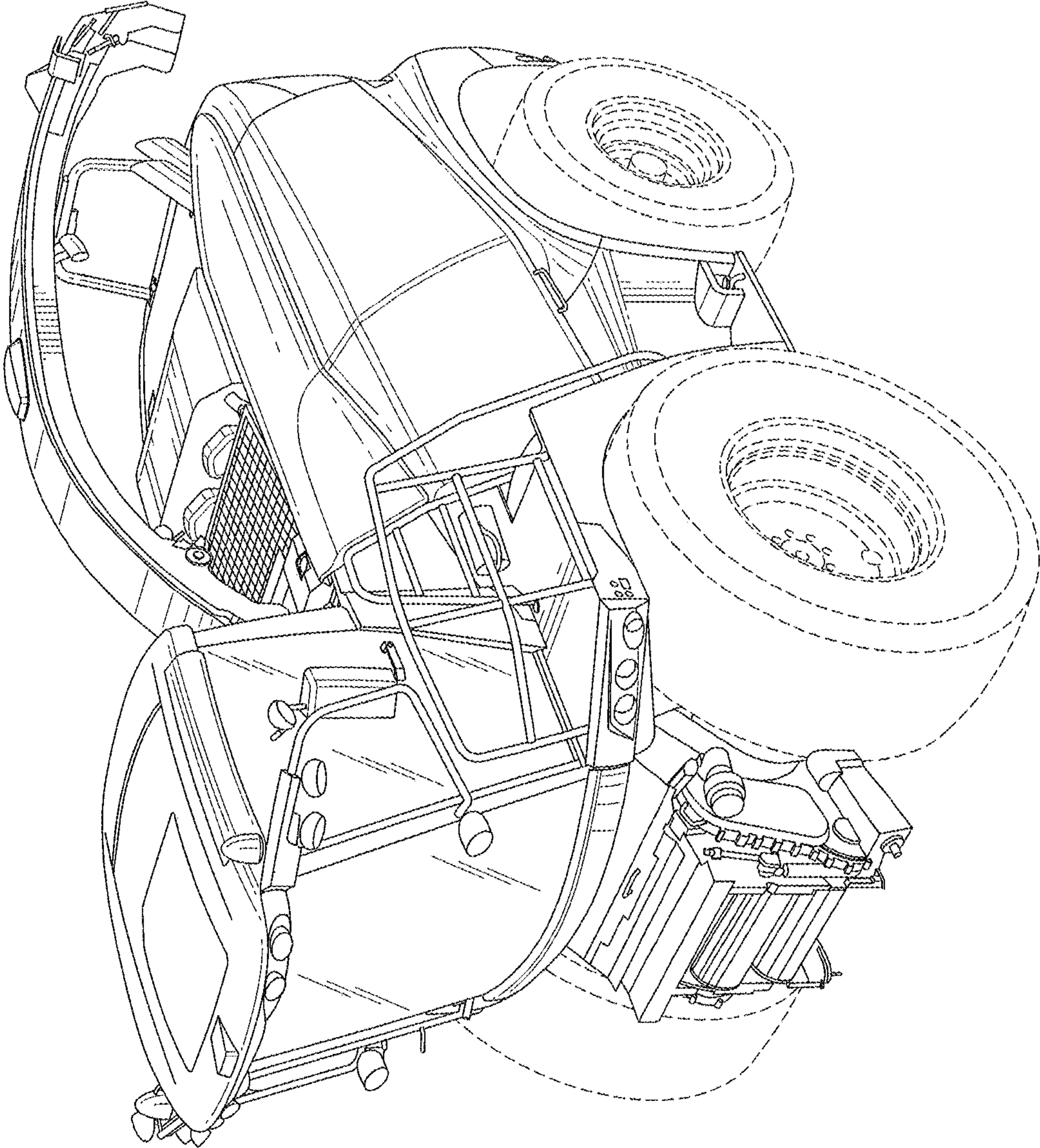


FIG. 1

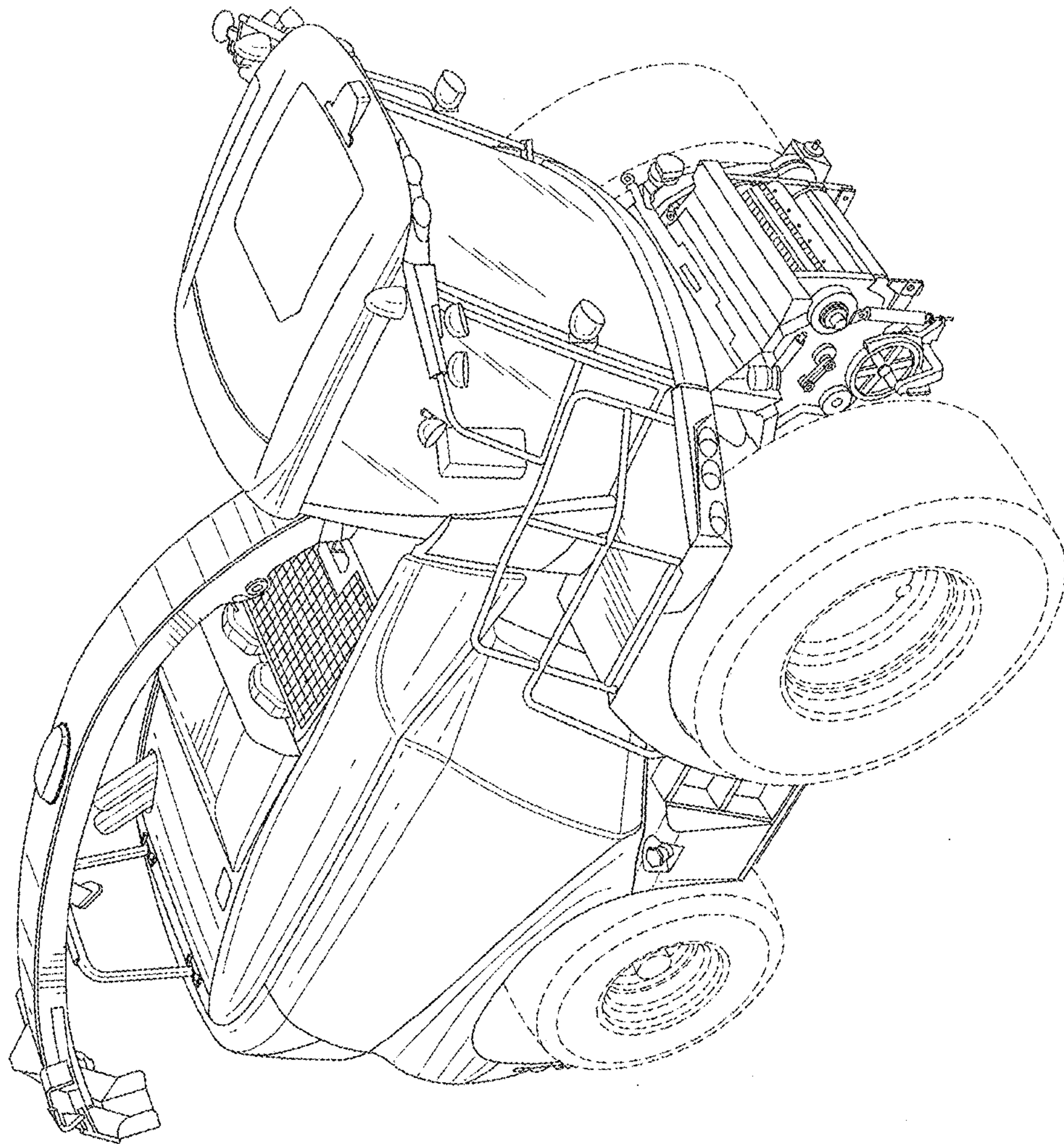


FIG. 2

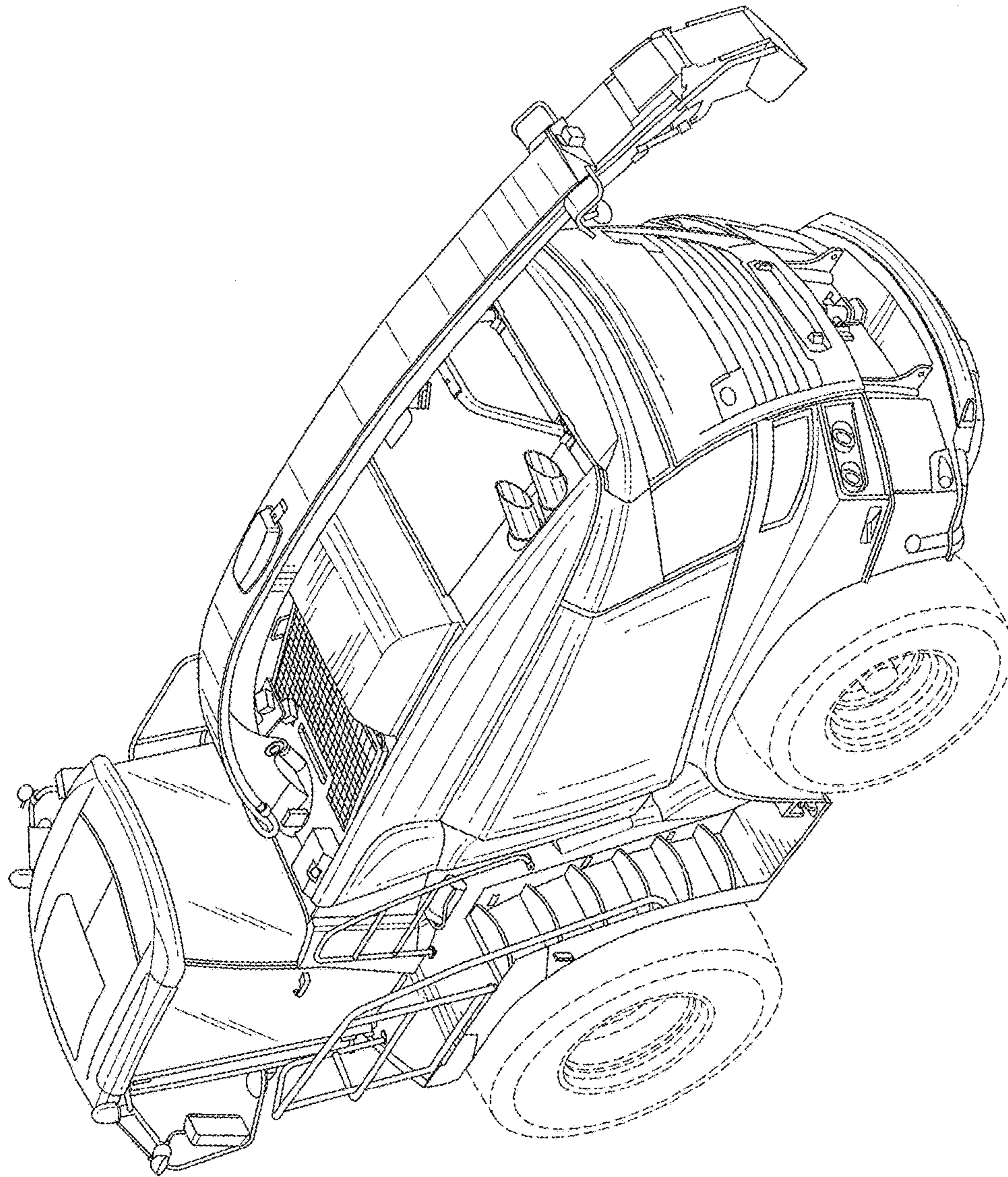


FIG. 3

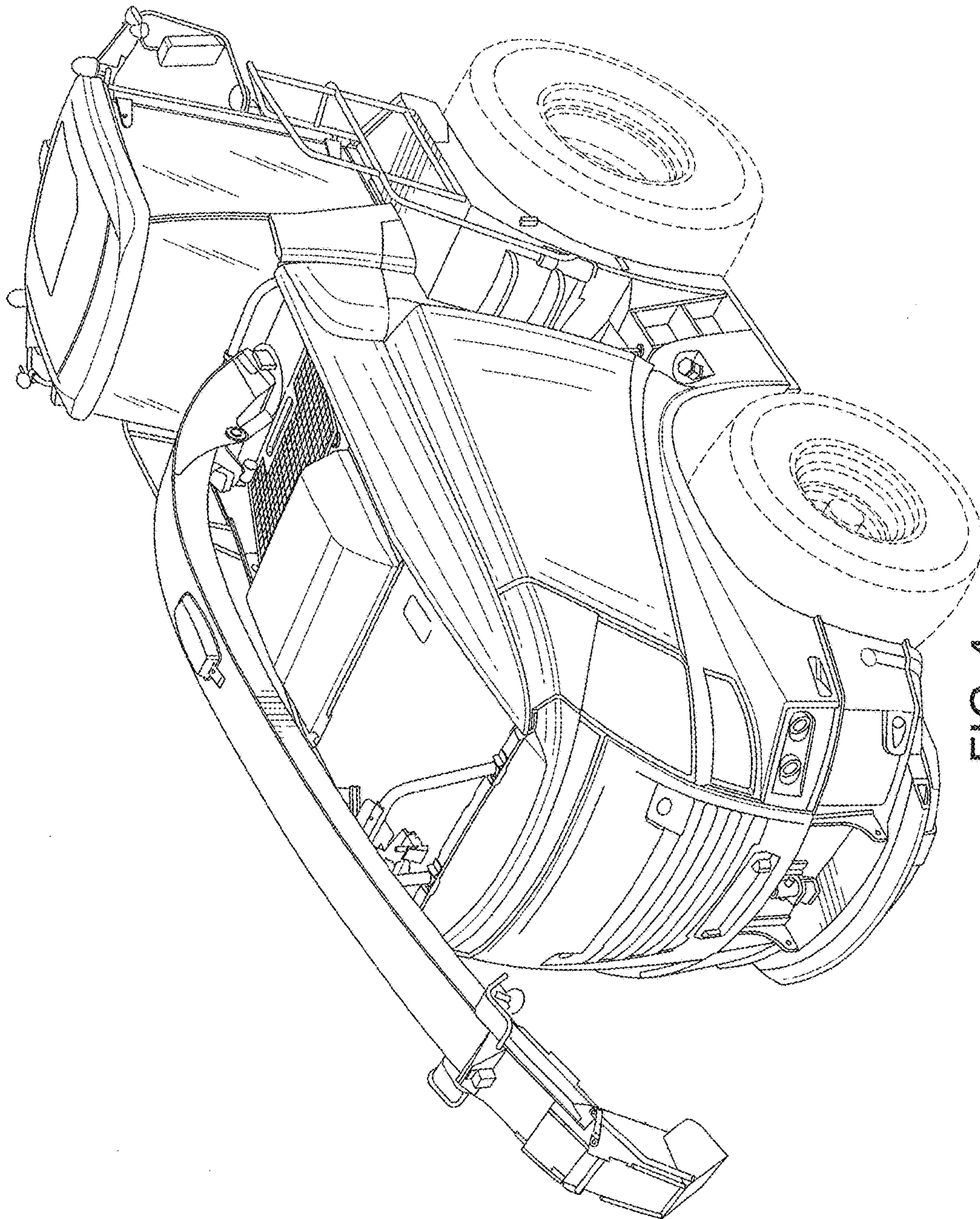


FIG.4

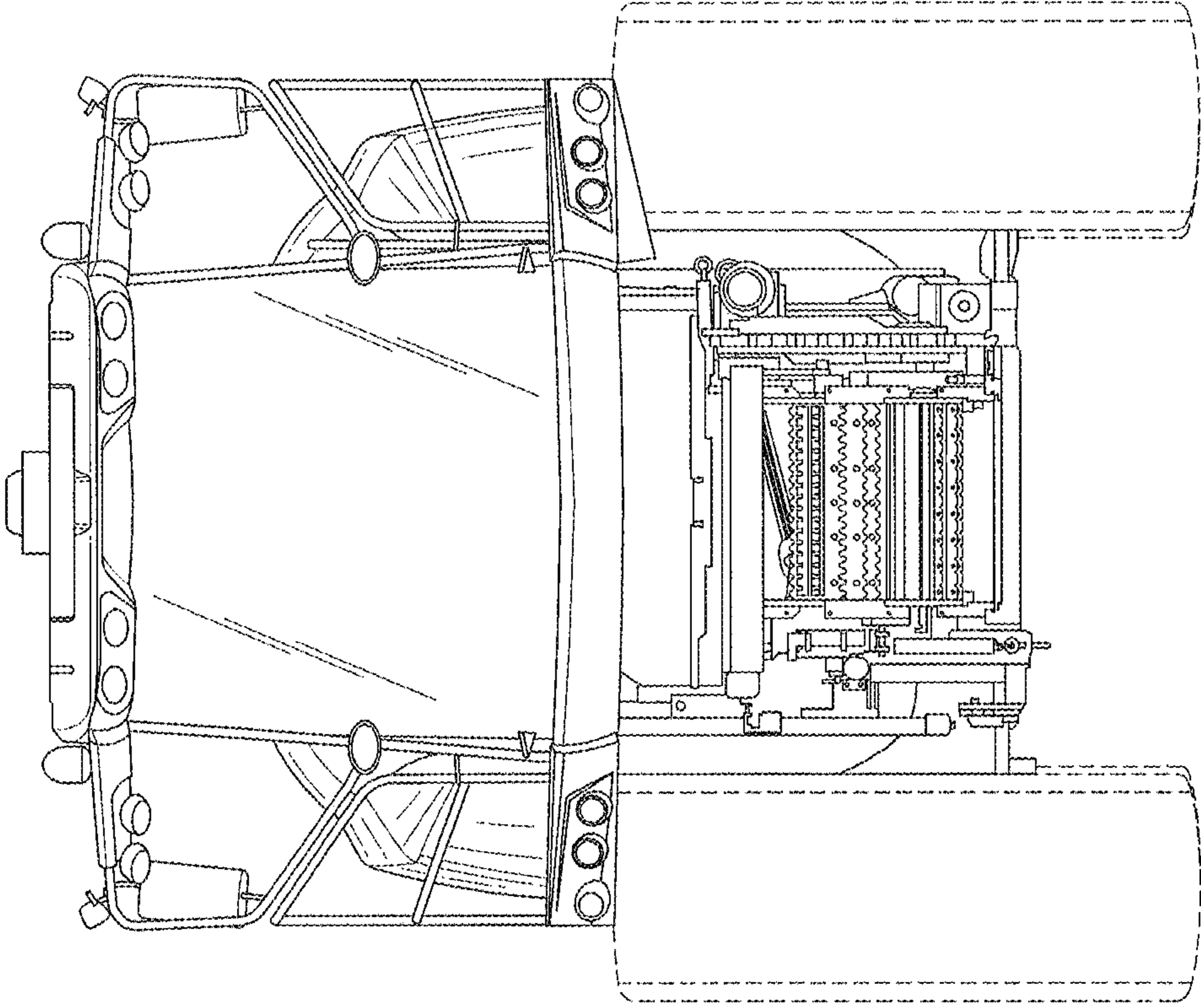


FIG. 5

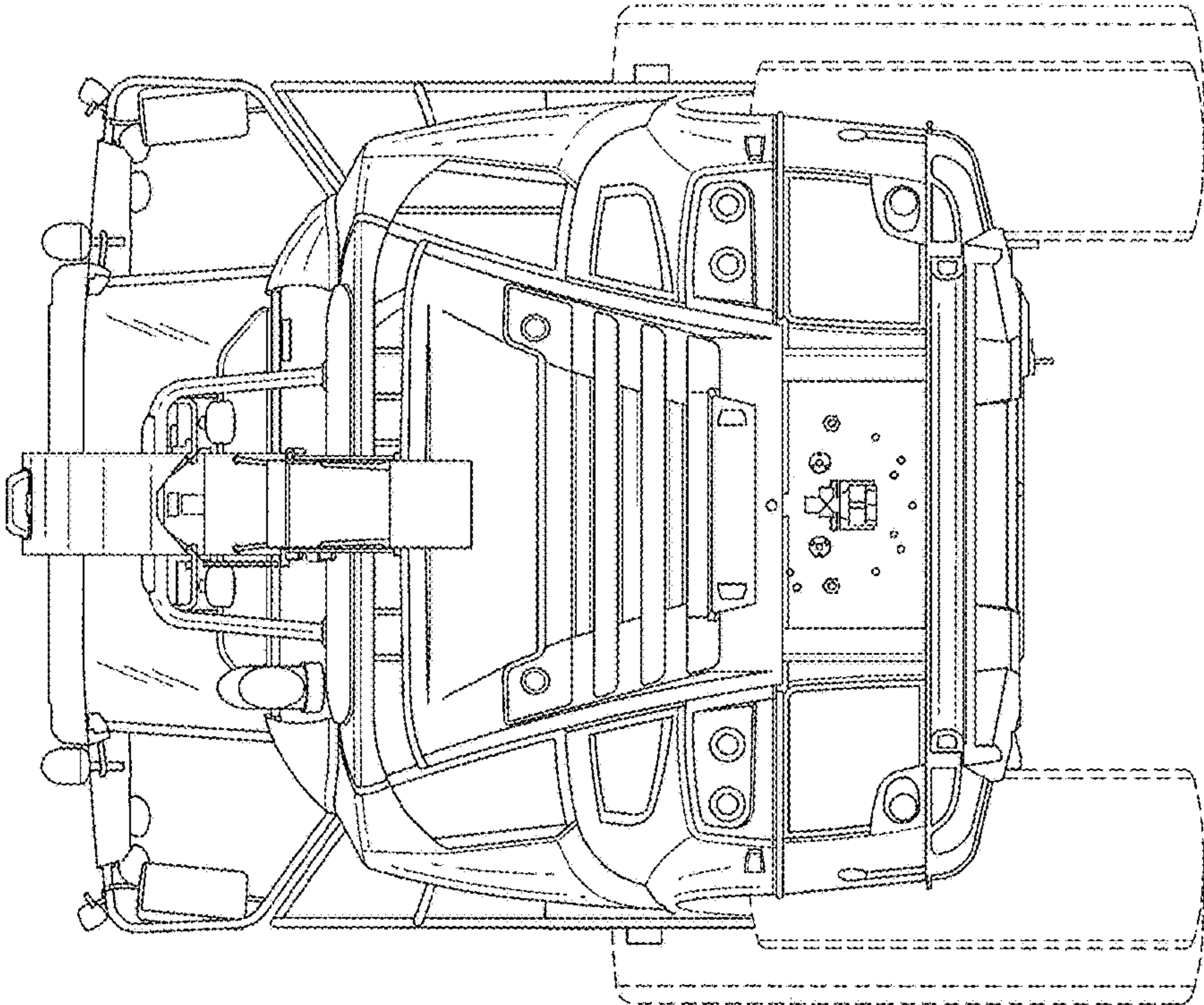


FIG. 6

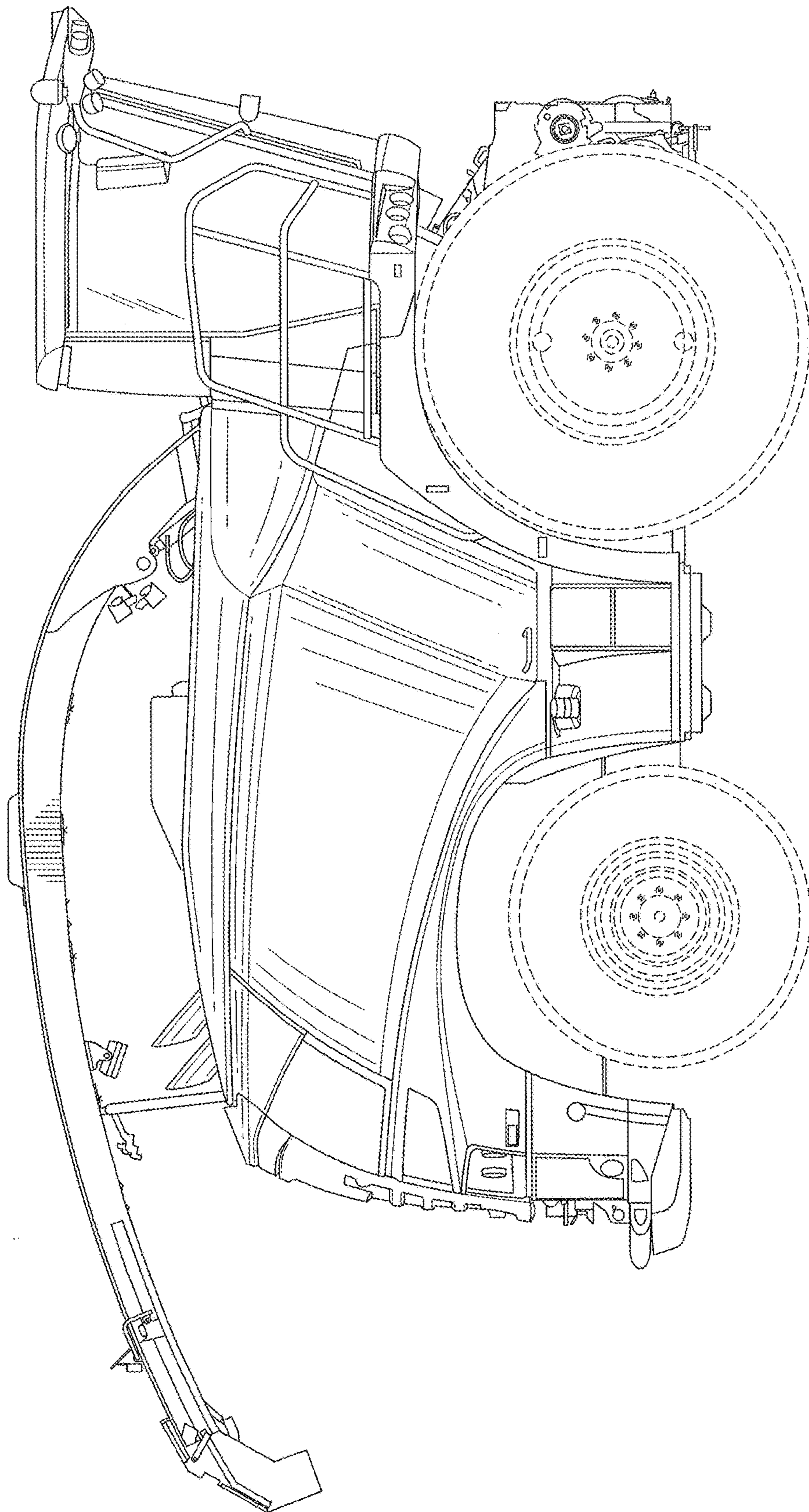


FIG. 7

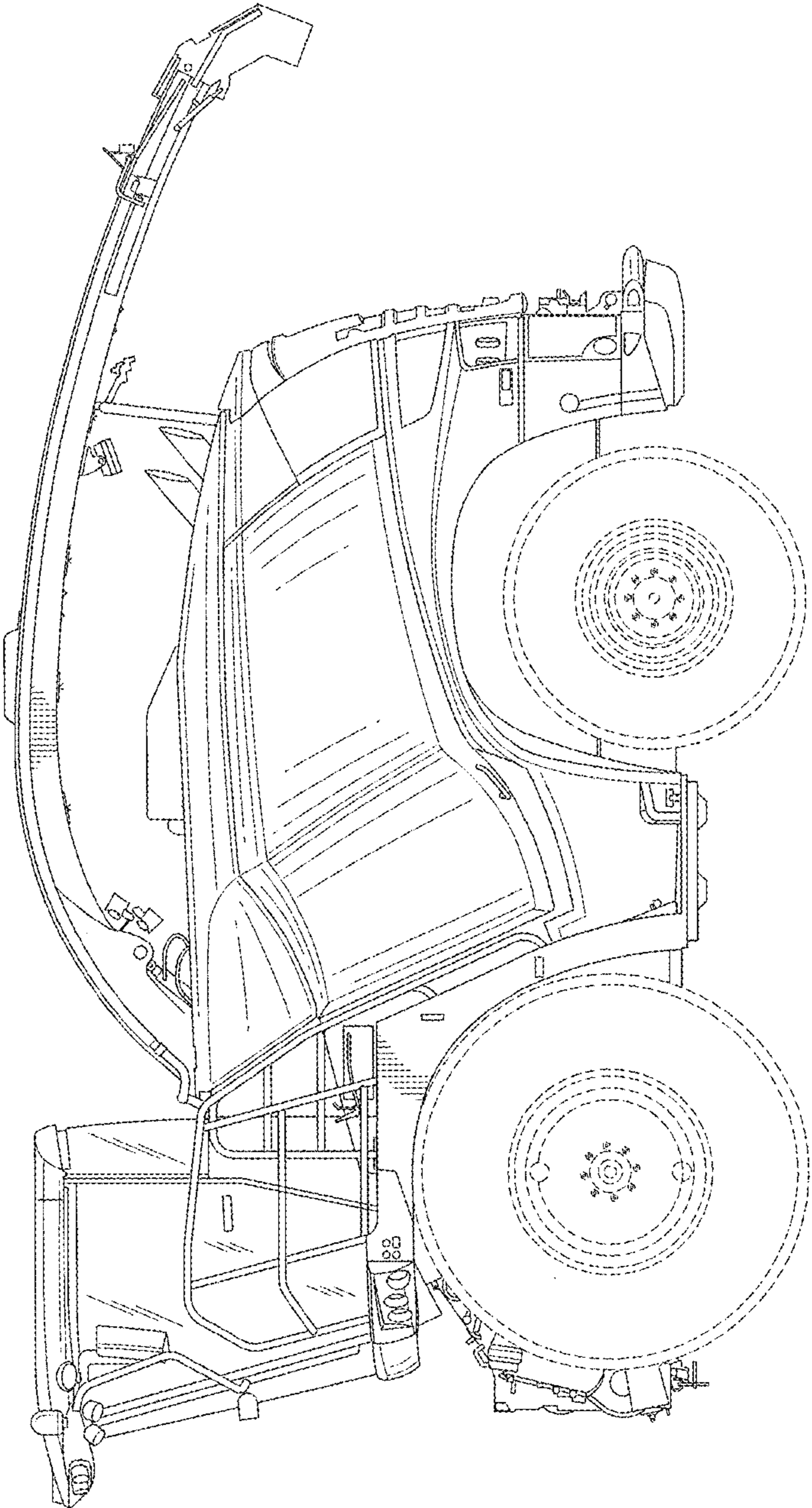


FIG. 8