



US00D797812S

(12) **United States Design Patent** (10) **Patent No.:** **US D797,812 S**  
**Van Bosstraeten et al.** (45) **Date of Patent:** **\*\* Sep. 19, 2017**

(54) **CASING FOR COMPRESSOR**

(56) **References Cited**

(71) Applicant: **ATLAS COPCO AIRPOWER N.V.**,  
Wilrijk (BE)

U.S. PATENT DOCUMENTS

(72) Inventors: **Kris Van Bosstraeten**, Wilrijk (BE);  
**Dong-Han Oh**, Wilrijk (BE); **Martin Larsson**, Wilrijk (BE)

D249,265	S	*	9/1978	Nanjo	.....	D15/9
5,518,262	A	*	5/1996	Hutchinson	.....	B60D 1/167 280/475
D387,778	S	*	12/1997	Goodman	.....	D15/9
D391,579	S	*	3/1998	Myers	.....	D15/7
D445,115	S	*	7/2001	Hutchinson	.....	D15/9
D516,584	S	*	3/2006	Flatt	.....	D15/9
D565,602	S	*	4/2008	Van Bosstraeten	.....	D15/9
D657,393	S	*	4/2012	Pauwels	.....	D15/9
D658,209	S	*	4/2012	Pauwels	.....	D15/9
D658,210	S	*	4/2012	Pauwels	.....	D15/9
8,235,441	B2	*	8/2012	Pirwass	.....	F04B 15/02 180/69.24

(73) Assignee: **ATLAS COPCO AIRPOWER N.V.**,  
Wilrijk (BE)

(\*\*) Term: **15 Years**

(21) Appl. No.: **29/570,678**

(22) Filed: **Jul. 11, 2016**

(30) **Foreign Application Priority Data**

Mar. 30, 2016 (EM) ..... 003047513-0002

(51) **LOC (10) Cl.** ..... **15-02**

(52) **U.S. Cl.**  
USPC ..... **D15/9**

(58) **Field of Classification Search**  
USPC ..... D15/7-9; D23/231, 232, 225; 417/60,  
417/235, 265, 321, 355, 358, 363, 359,  
417/410.1, 415-416, 405, 900, 234, 312;  
60/408, 412; 184/26-37; 415/140-147;  
123/495, 509; 137/565.34; 296/24.3  
CPC ..... F02M 37/04; F02M 37/14; F04B 53/92;  
F04B 1/005; F04B 15/02; F04B 21/00;  
F60D 1/167

See application file for complete search history.

\* cited by examiner

*Primary Examiner* — Ralf Seifert

(74) *Attorney, Agent, or Firm* — Bacon & Thomas, PLLC

(57) **CLAIM**

The ornamental design for casing for compressor, as shown and described.

**DESCRIPTION**

FIG. 1 is a front perspective view of casing for compressor. FIG. 2 is a rear perspective view thereof. FIG. 3 is a left side view thereof. FIG. 4 is a right side view thereof. FIG. 5 is a front view thereof. FIG. 6 is a rear view thereof; and, FIG. 7 is a top view thereof.

**1 Claim, 7 Drawing Sheets**

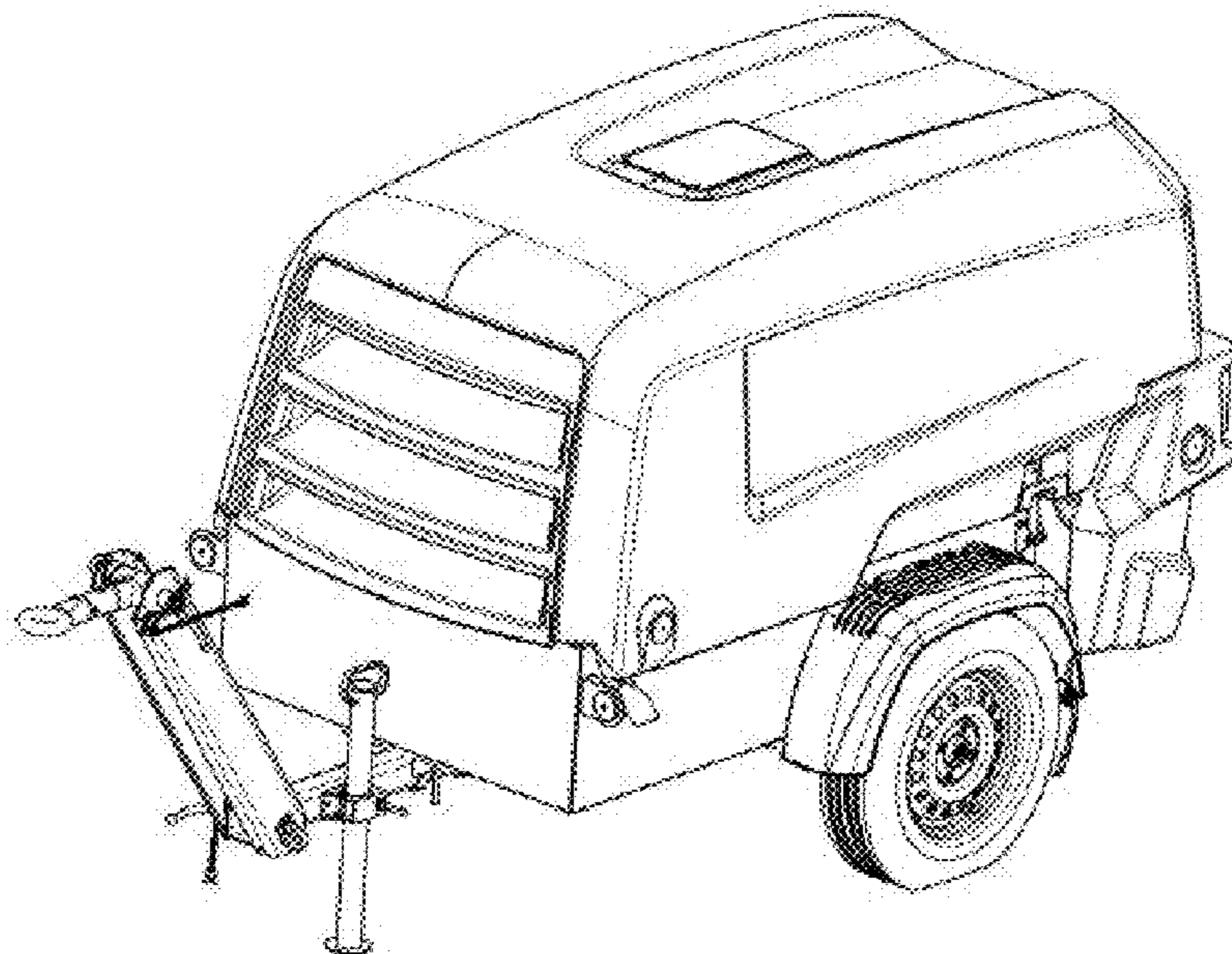


FIG. 1

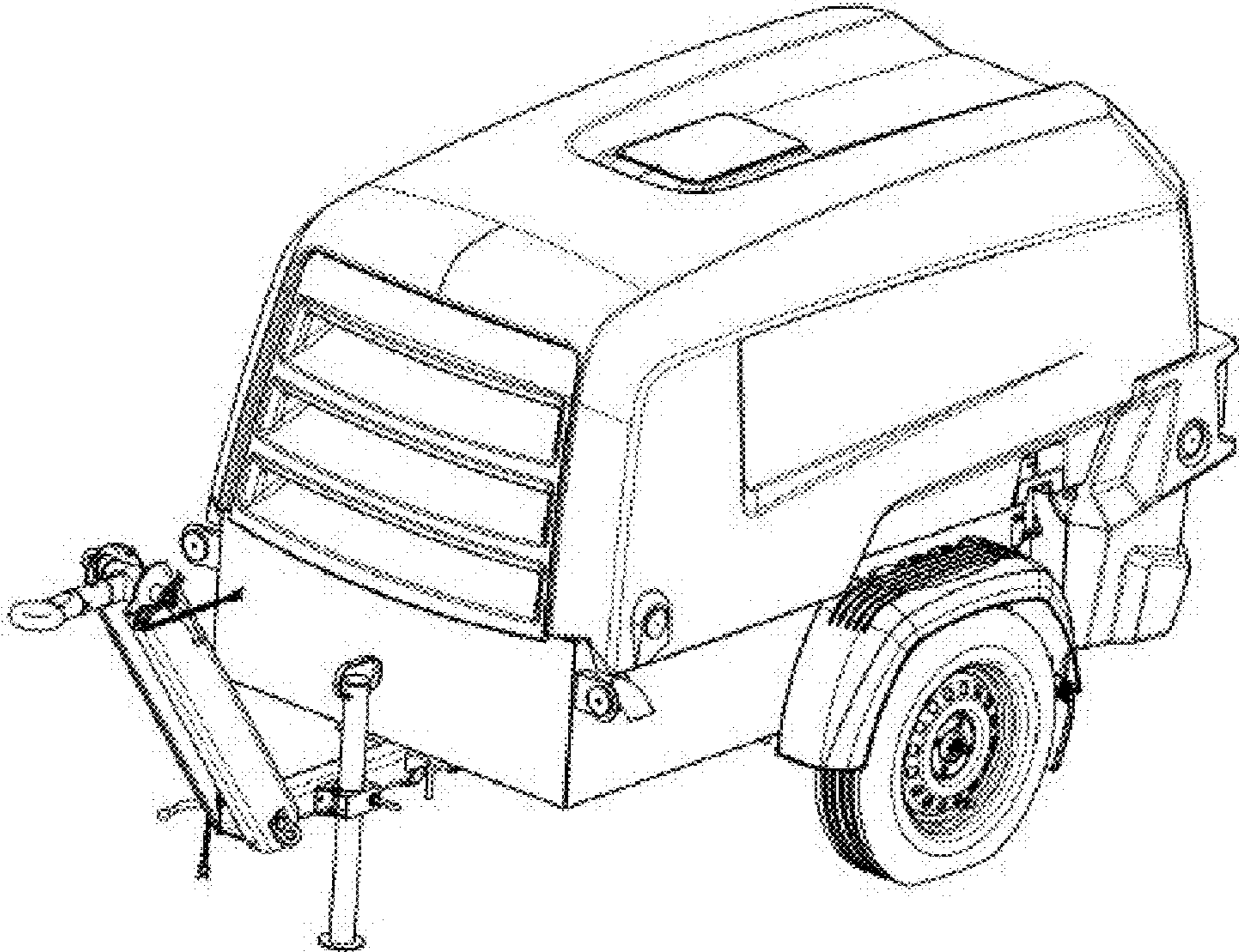


FIG. 2

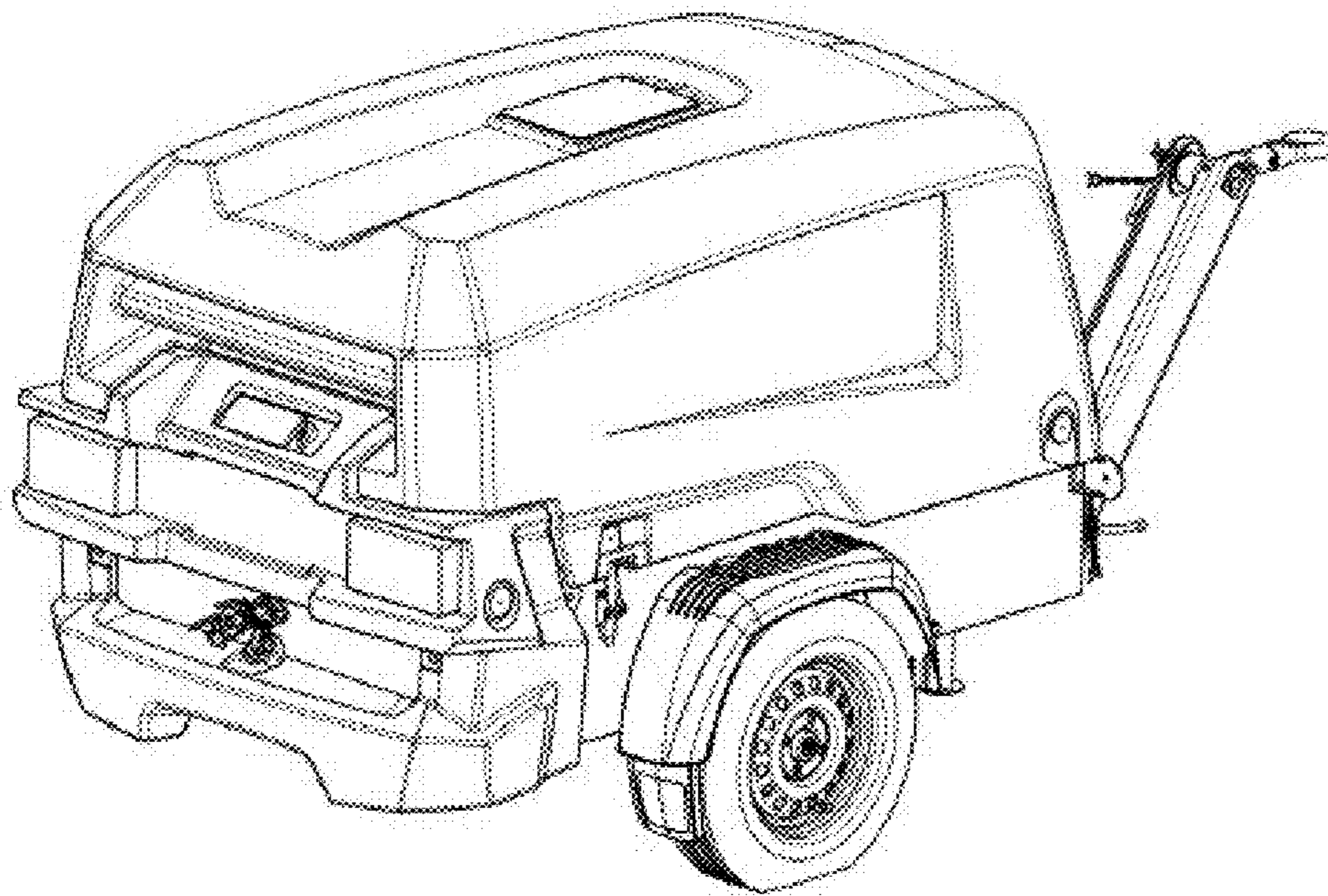


FIG. 3

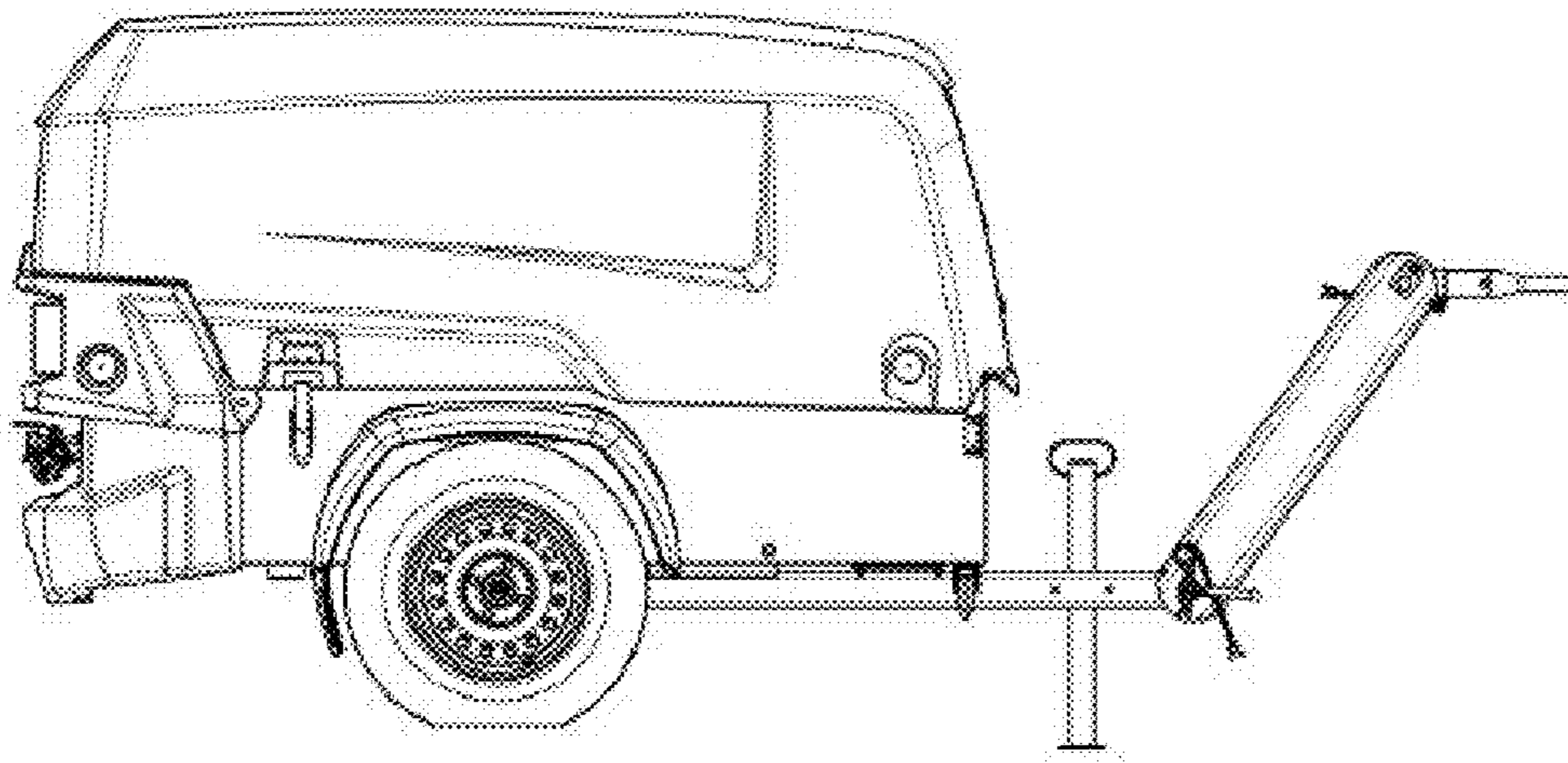


FIG. 4

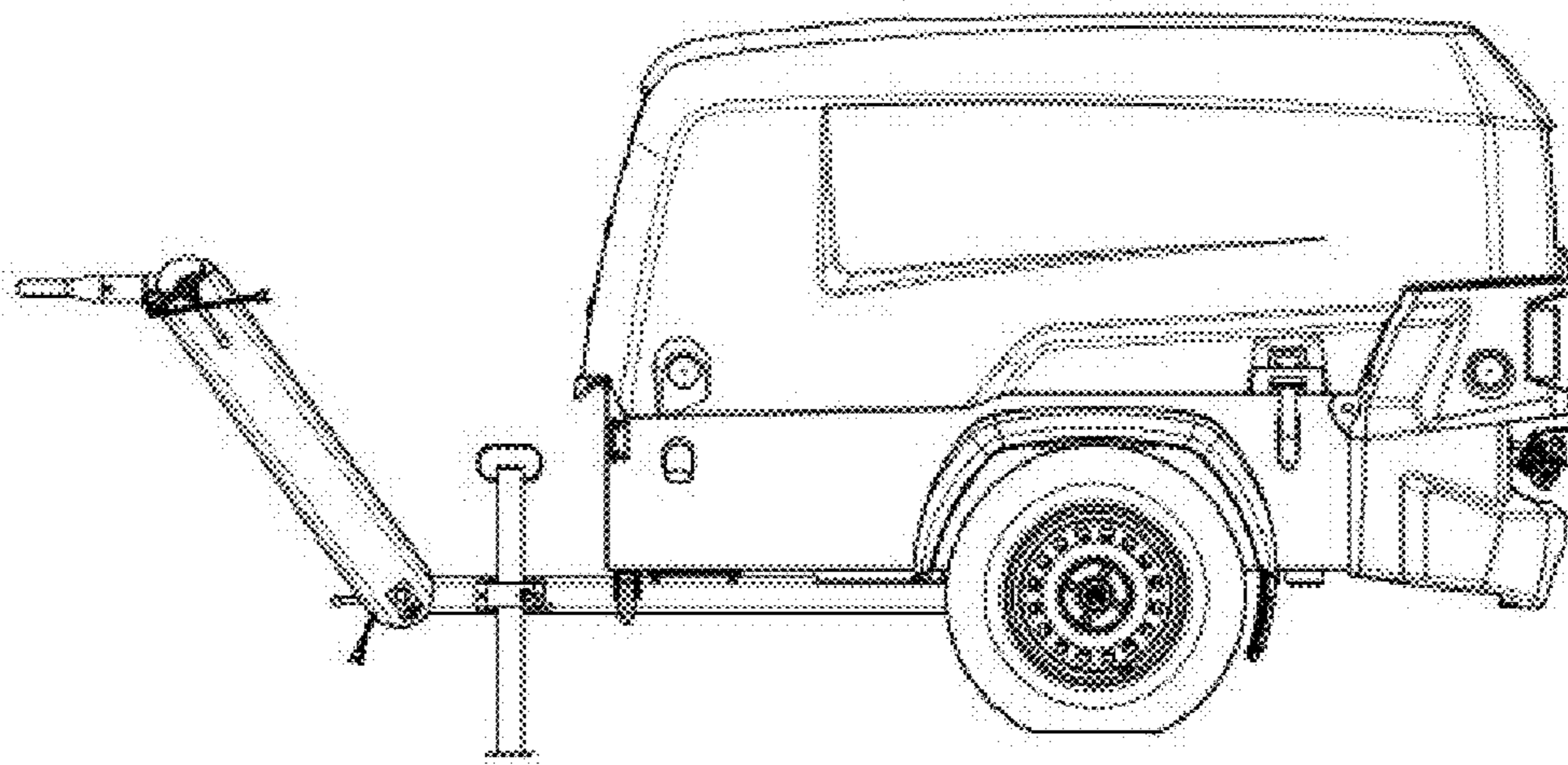


FIG. 5

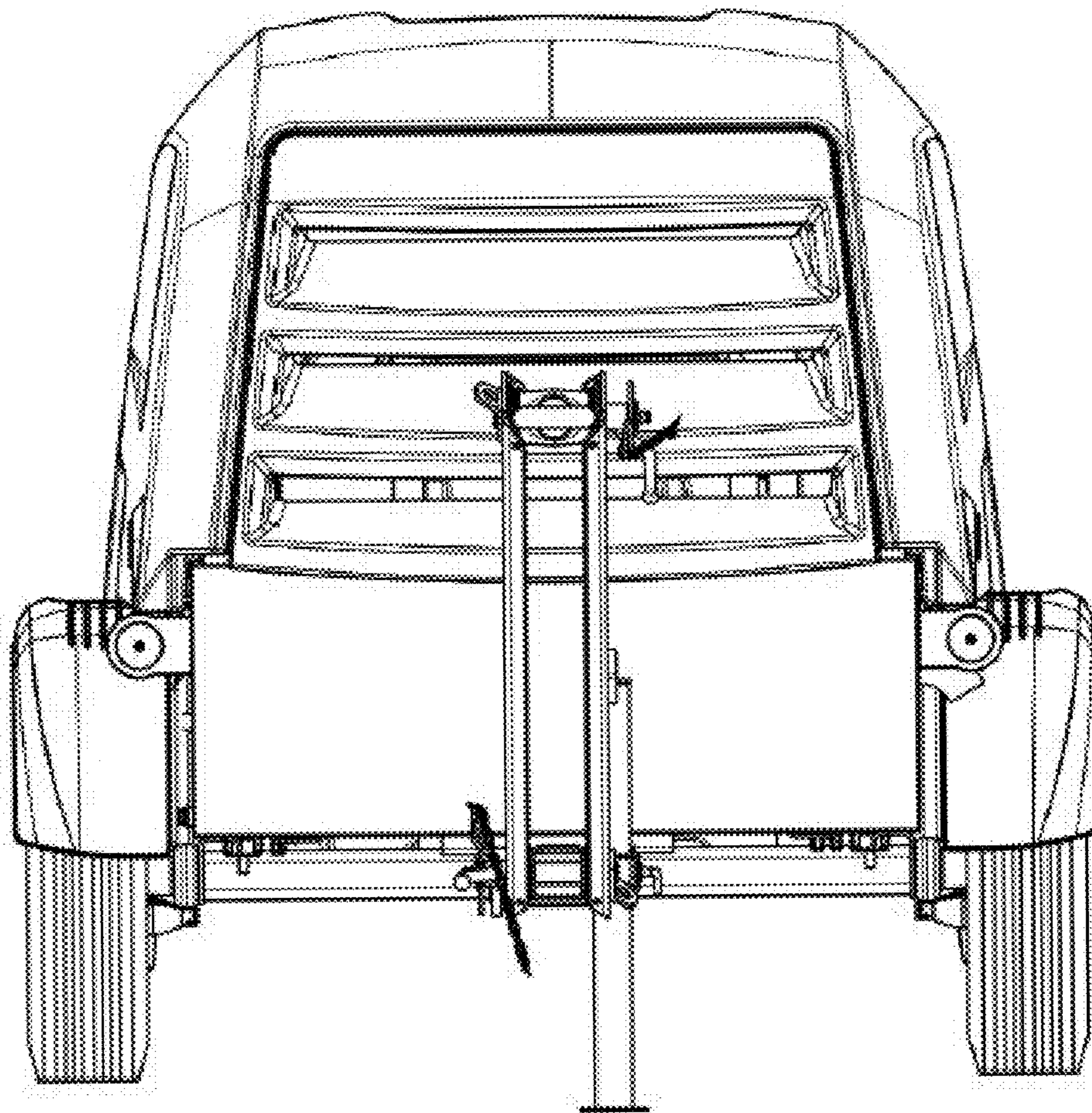


FIG. 6

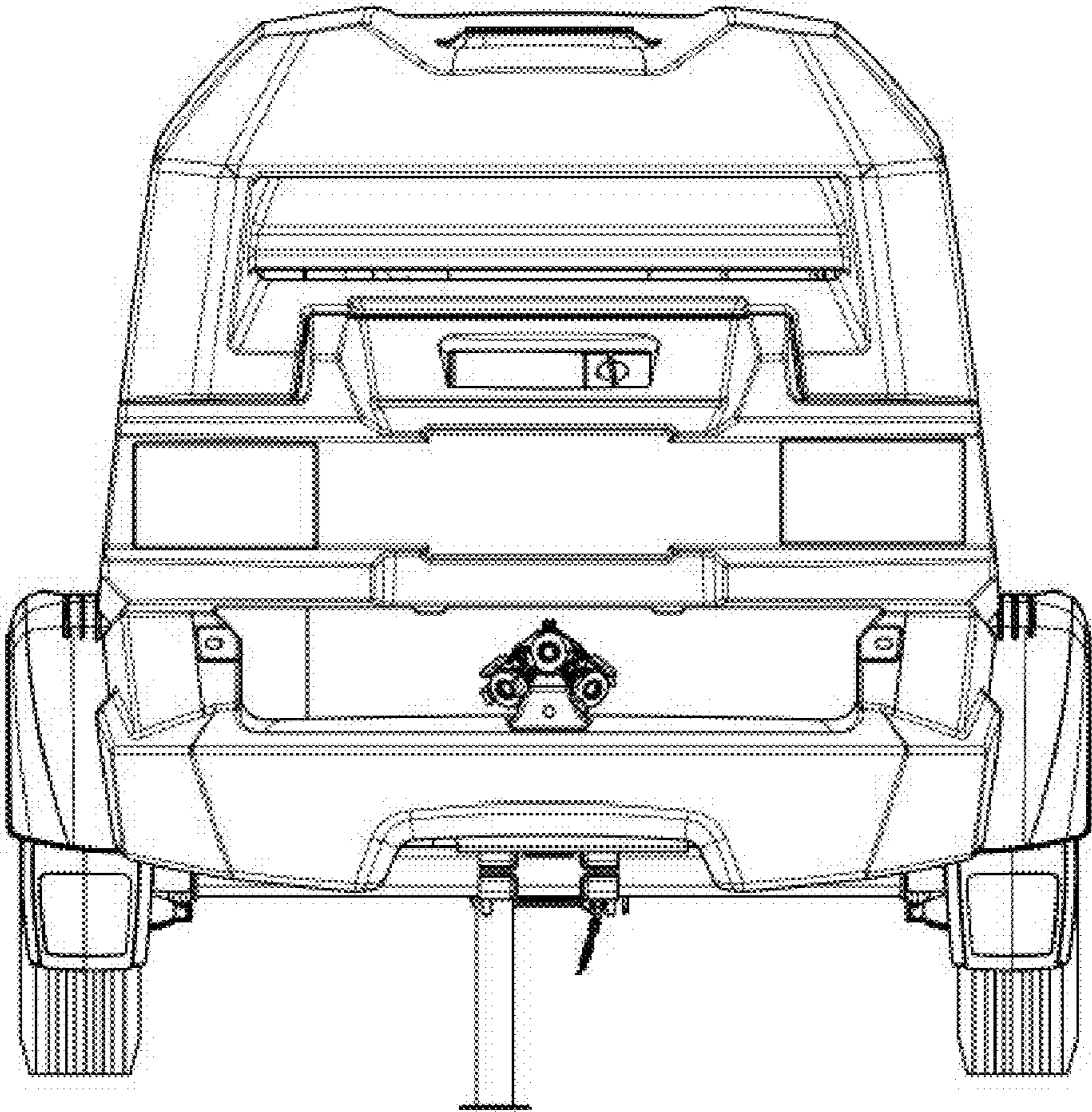


FIG. 7

