



US00D797811S

(12) **United States Design Patent** (10) **Patent No.:** **US D797,811 S**
Van Bosstraeten et al. (45) **Date of Patent:** **** Sep. 19, 2017**

(54) **CASING FOR COMPRESSOR**

(56) **References Cited**

(71) Applicant: **ATLAS COPCO AIRPOWER N.V.**,
Wilrijk (BE)

U.S. PATENT DOCUMENTS

(72) Inventors: **Kris Van Bosstraeten**, Wilrijk (BE);
Dong-Han Oh, Wilrijk (BE); **Martin Larsson**, Wilrijk (BE)

| | | | | | | |
|-----------|----|---|---------|-----------------|-------|-------------------------|
| D249,265 | S | * | 9/1978 | Nanjo | | D15/9 |
| 5,518,262 | A | * | 5/1996 | Hutchinson | | B60D 1/167 280/475 |
| D387,778 | S | * | 12/1997 | Goodman | | D15/9 |
| D391,579 | S | * | 3/1998 | Myers | | D15/7 |
| D445,115 | S | * | 7/2001 | Hutchinson | | D15/9 |
| D516,584 | S | * | 3/2006 | Flatt | | D15/9 |
| D565,602 | S | * | 4/2008 | Van Bosstraeten | | D15/9 |
| D657,393 | S | * | 4/2012 | Pauwels | | D15/9 |
| D658,209 | S | * | 4/2012 | Pauwels | | D15/9 |
| D658,210 | S | * | 4/2012 | Pauwels | | D15/9 |
| 8,235,441 | B2 | * | 8/2012 | Pirwass | | F04B 15/02 180/69.24 |

(73) Assignee: **ATLAS COPCO AIRPOWER, N.V.**,
Wilrijk (BE)

(**) Term: **15 Years**

(21) Appl. No.: **29/570,675**

(22) Filed: **Jul. 11, 2016**

(30) **Foreign Application Priority Data**

Mar. 30, 2016 (EM) 003047513-0001

(51) **LOC (10) Cl.** **15-02**

(52) **U.S. Cl.**
USPC **D15/9**

(58) **Field of Classification Search**
USPC D15/7-9; D23/231, 232, 225; 417/60,
417/235, 265, 321, 355, 358, 363, 359,
417/410.1, 415-416, 405, 900, 234, 312;
60/408, 412; 184/26-37; 415/140-147;
123/495, 509; 137/565.34; 296/24.3
CPC F02M 37/04; F02M 37/14; F04B 53/92;
F04B 1/005; F04B 15/02; F04B 21/00;
F60D 1/167

See application file for complete search history.

* cited by examiner

Primary Examiner — Ralf Seifert

(74) *Attorney, Agent, or Firm* — Bacon & Thomas, PLLC

(57) **CLAIM**

The ornamental design for casing for compressor, as shown and described.

DESCRIPTION

FIG. 1 is a front perspective view of casing for compressor. FIG. 2 is a rear perspective view thereof. FIG. 3 is a right side view thereof. FIG. 4 is a left side view thereof. FIG. 5 is a front view thereof. FIG. 6 is a rear view thereof; and, FIG. 7 is a top view thereof.

1 Claim, 7 Drawing Sheets

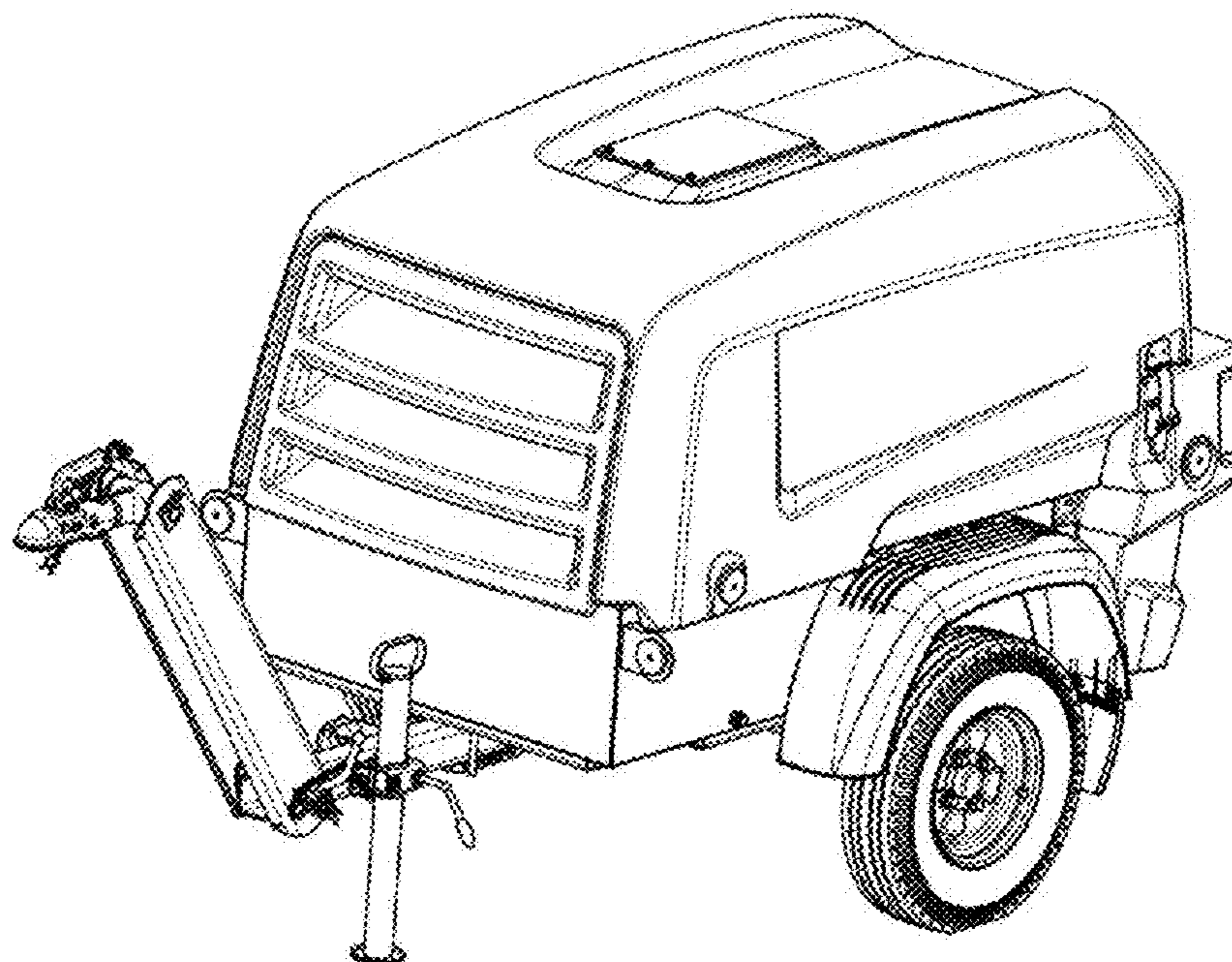


FIG. 1

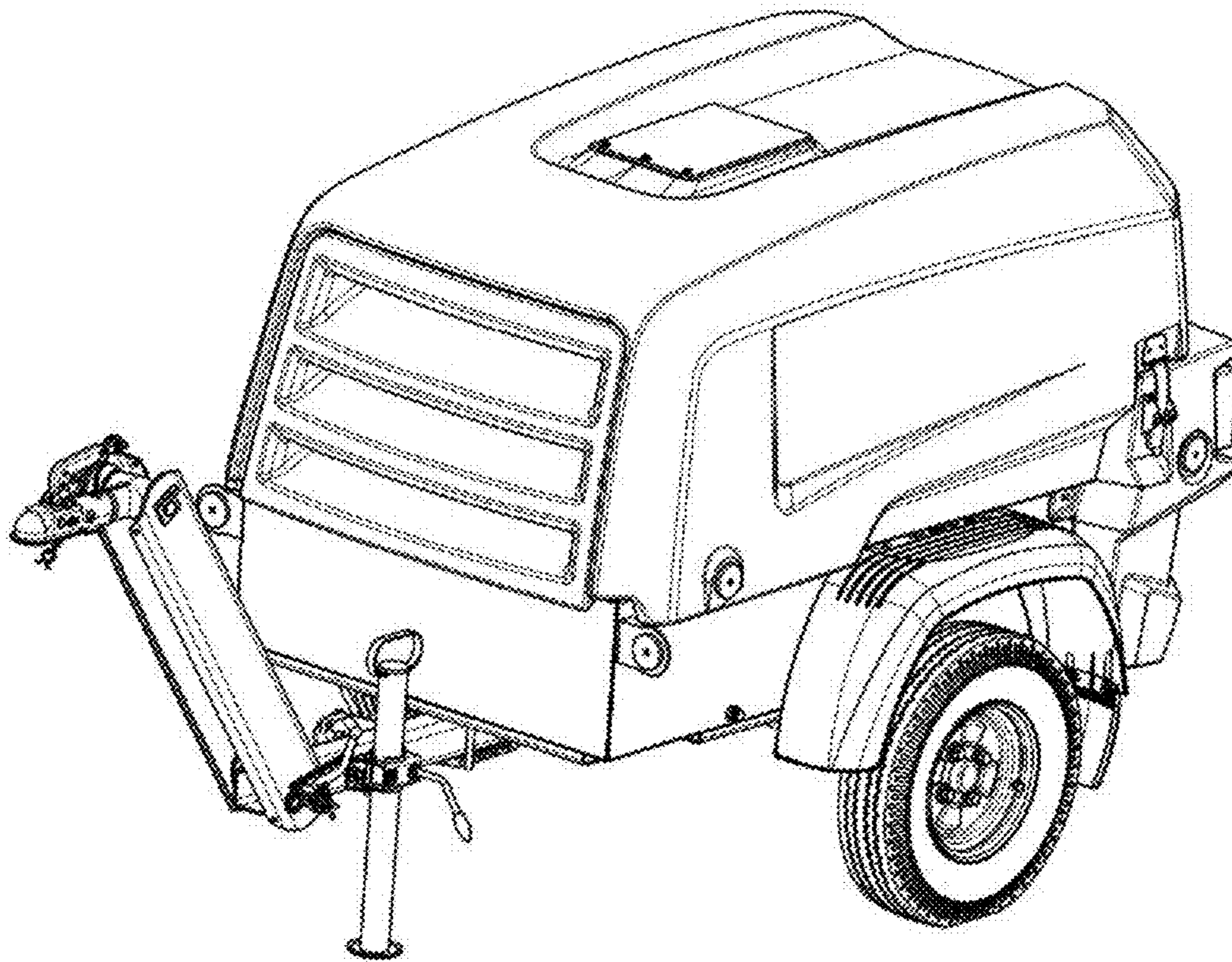


FIG. 2

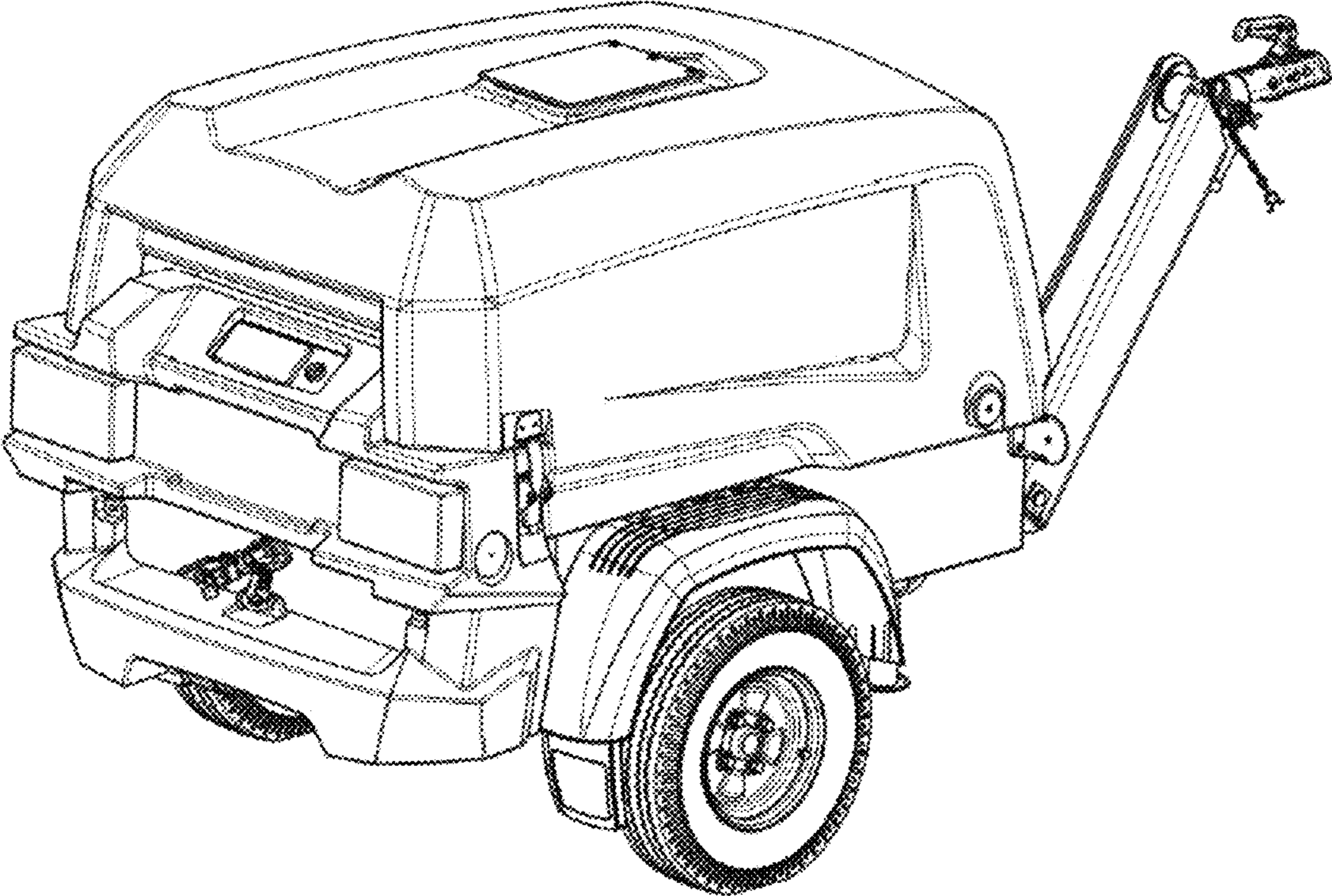


FIG. 3

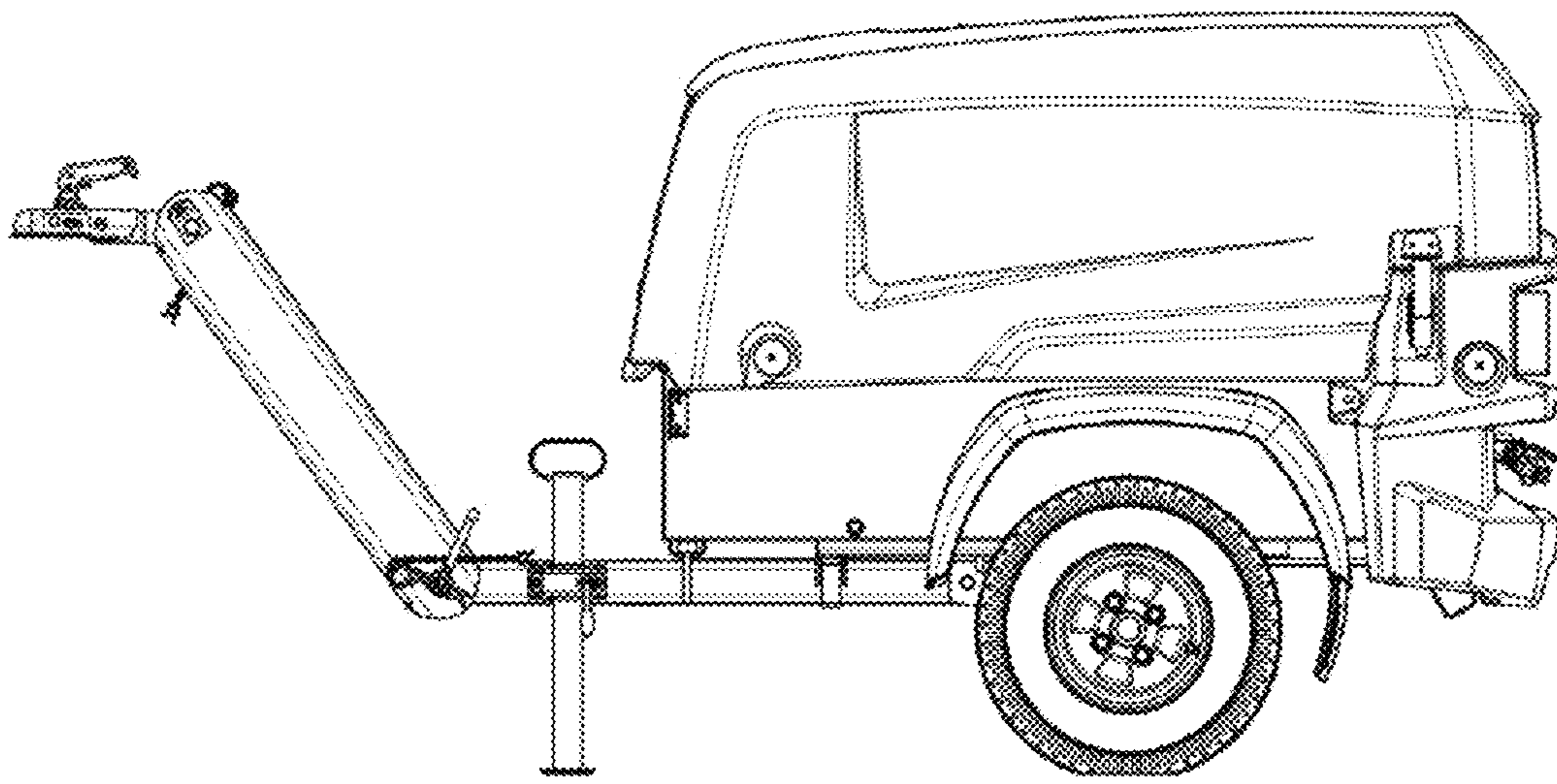


FIG. 4

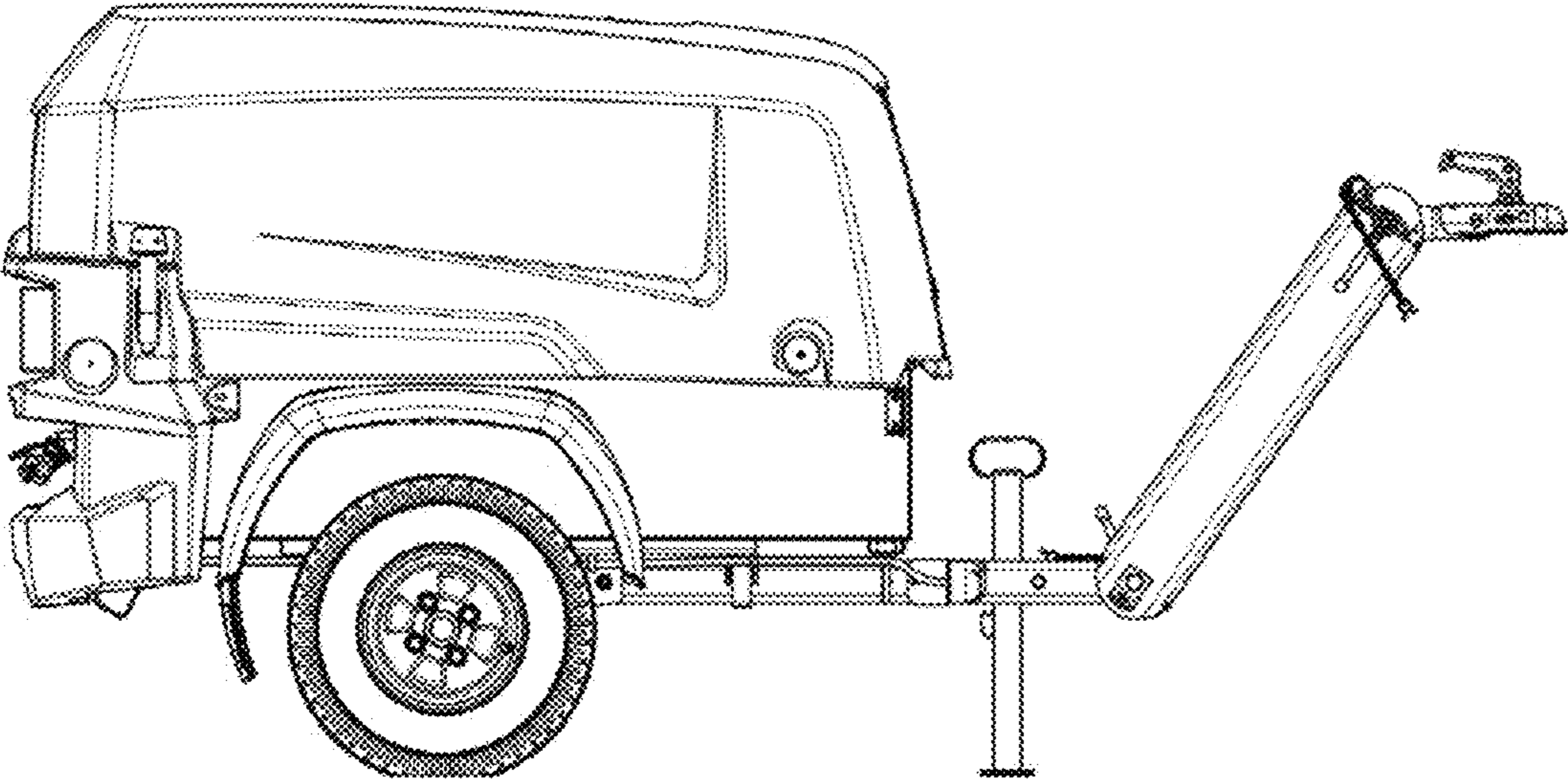


FIG. 5

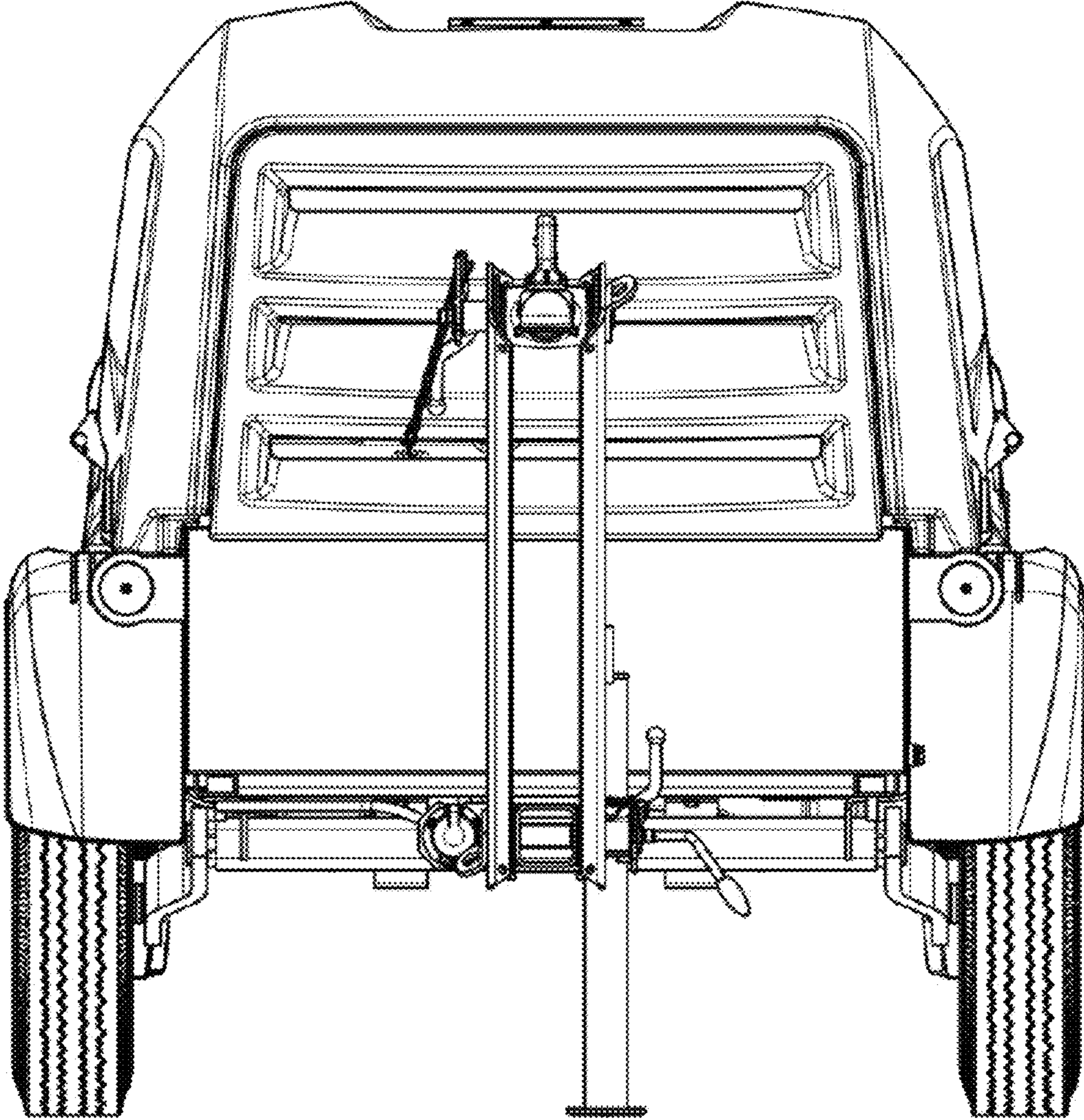


FIG. 6

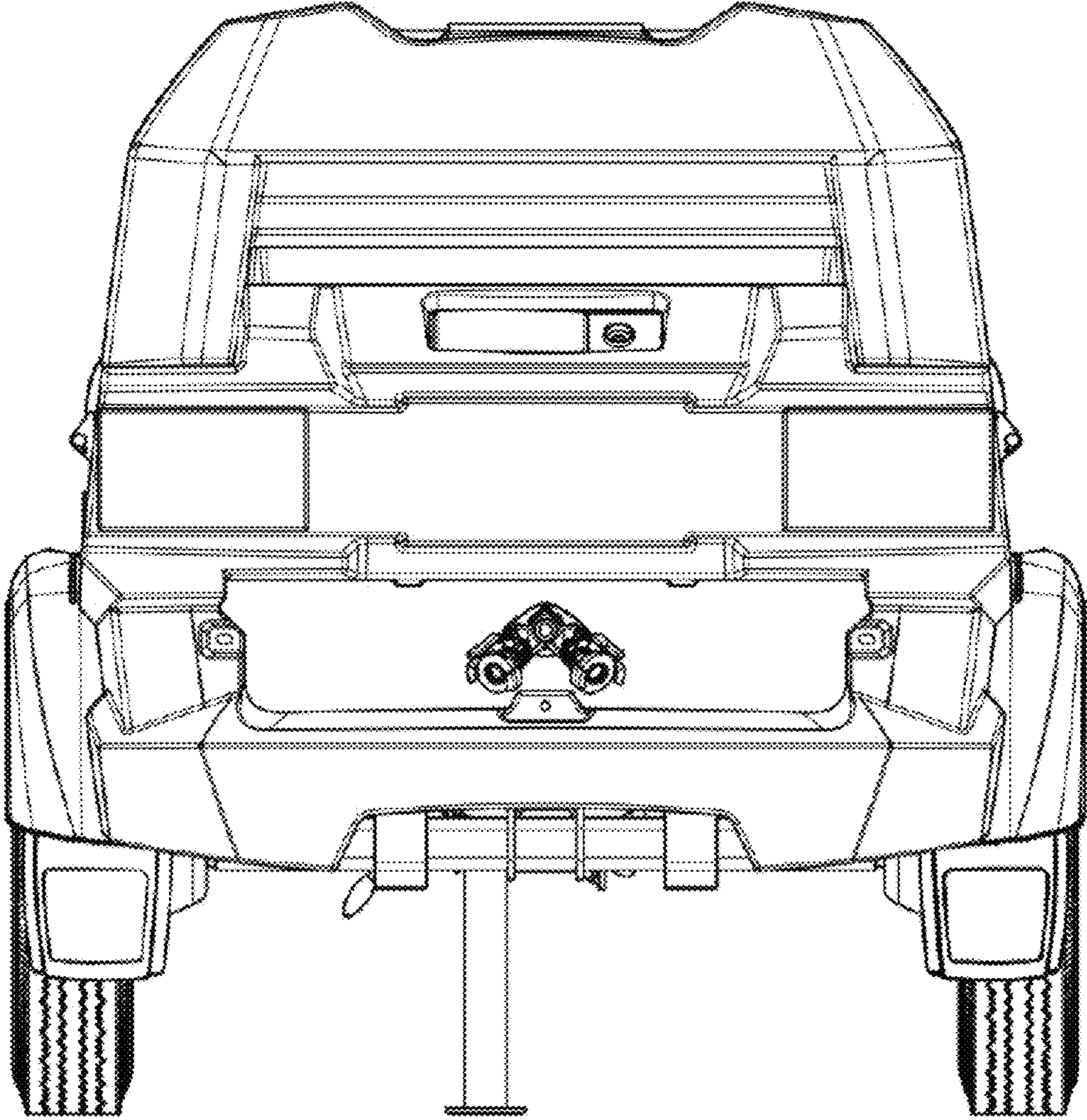


FIG. 7

