



US00D797808S

(12) **United States Design Patent** (10) **Patent No.:** **US D797,808 S**  
**Peng et al.** (45) **Date of Patent:** **\*\* Sep. 19, 2017**

(54) **MEDIA PLAYER**

(56) **References Cited**

(71) Applicant: **Western Digital Technologies, Inc.**,  
Irvine, CA (US)  
(72) Inventors: **Steven T. Peng**, Irvine, CA (US);  
**Charles R. Lewis, Jr.**, Palo Alto, CA  
(US)  
(73) Assignee: **Western Digital Technologies, Inc.**,  
Irvine, CA (US)  
(\*\*) Term: **15 Years**  
(21) Appl. No.: **29/574,816**  
(22) Filed: **Aug. 18, 2016**

U.S. PATENT DOCUMENTS

4,159,417 A	6/1979	Rubincam	
5,326,104 A	7/1994	Pease	
5,429,361 A	7/1995	Raven	
5,552,799 A	9/1996	Hashiguchi	
5,914,707 A	6/1999	Kono	
6,254,477 B1 *	7/2001	Sasaki .....	A63F 13/12 463/1
6,468,160 B2	10/2002	Eliott	
6,795,318 B2 *	9/2004	Haas .....	H04M 1/0254 361/728
6,821,304 B2	11/2004	Kurahashi et al.	
6,898,080 B2 *	5/2005	Yin .....	G06F 1/1632 361/679.41
6,908,387 B2	6/2005	Hedrick et al.	
6,955,606 B2	10/2005	Taho et al.	
7,074,082 B2 *	7/2006	Kerlin .....	H05K 9/0058 439/607.27

(Continued)

**Related U.S. Application Data**

(62) Division of application No. 29/521,107, filed on Mar. 19, 2015, now Pat. No. Des. 765,140, which is a division of application No. 29/467,896, filed on Sep. 24, 2013, now Pat. No. Des. 727,360.  
(51) **LOC (10) Cl.** ..... **14-03**  
(52) **U.S. Cl.**  
USPC ..... **D14/496**  
(58) **Field of Classification Search**  
USPC ..... D14/496, 401, 435, 474, 483, 217, 137, D14/138, 160, 168, 356, 203.1-203.8, D14/507; 345/156, 169, 173-179, 905; 715/727-729, 864; 710/1, 5, 8; 713/1, 713/600; 455/1.1, 1.7, 73, 344-347, 93, 455/95, 3.01-3.06, 550.1, 573.1; 370/342-344; 369/1, 2, 6-12; 463/43-47; 273/148 B  
CPC .... A63F 9/22; A63F 9/24; A63F 13/00; A63F 13/12; G09G 5/00; G09G 5/12  
See application file for complete search history.

*Primary Examiner* — Prabhakar Deshmukh

(74) *Attorney, Agent, or Firm* — Knobbe, Martens, Olson & Bear, LLP

(57)

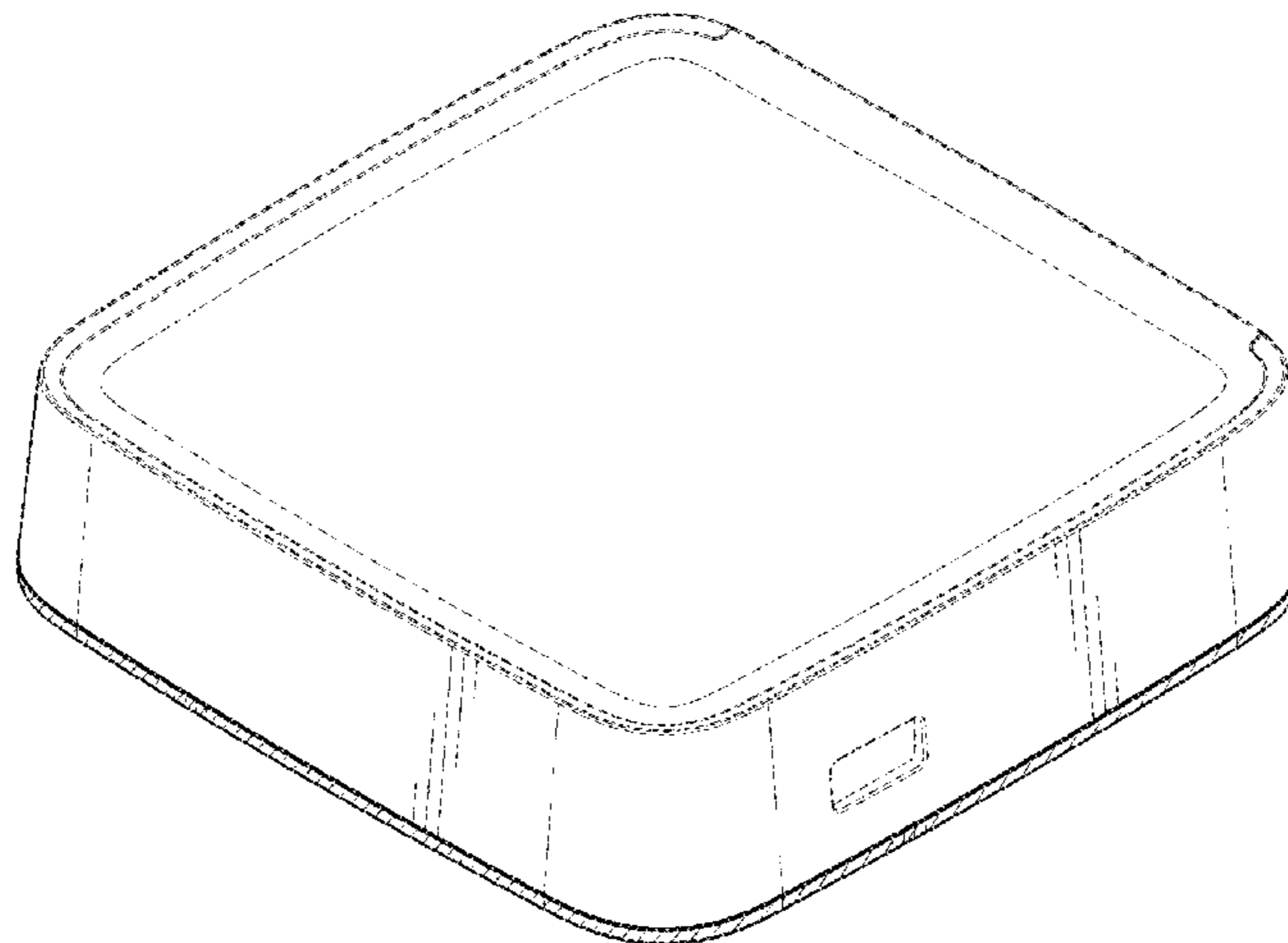
**CLAIM**

The ornamental design for a media player, as shown and described.

**DESCRIPTION**

FIG. 1 is a top, front and side perspective view of an embodiment of a media player embodying the new design; FIG. 2 is a front view thereof; FIG. 3 is a back view thereof; FIG. 4 is a first side view thereof; FIG. 5 is a second side view thereof; FIG. 6 is a top view thereof; and, FIG. 7 is a bottom view thereof. Broken lines are used to illustrate features of the media player which form no part of the claimed design. The hatching of the embodiment illustrates a contrasting appearance.

**1 Claim, 5 Drawing Sheets**



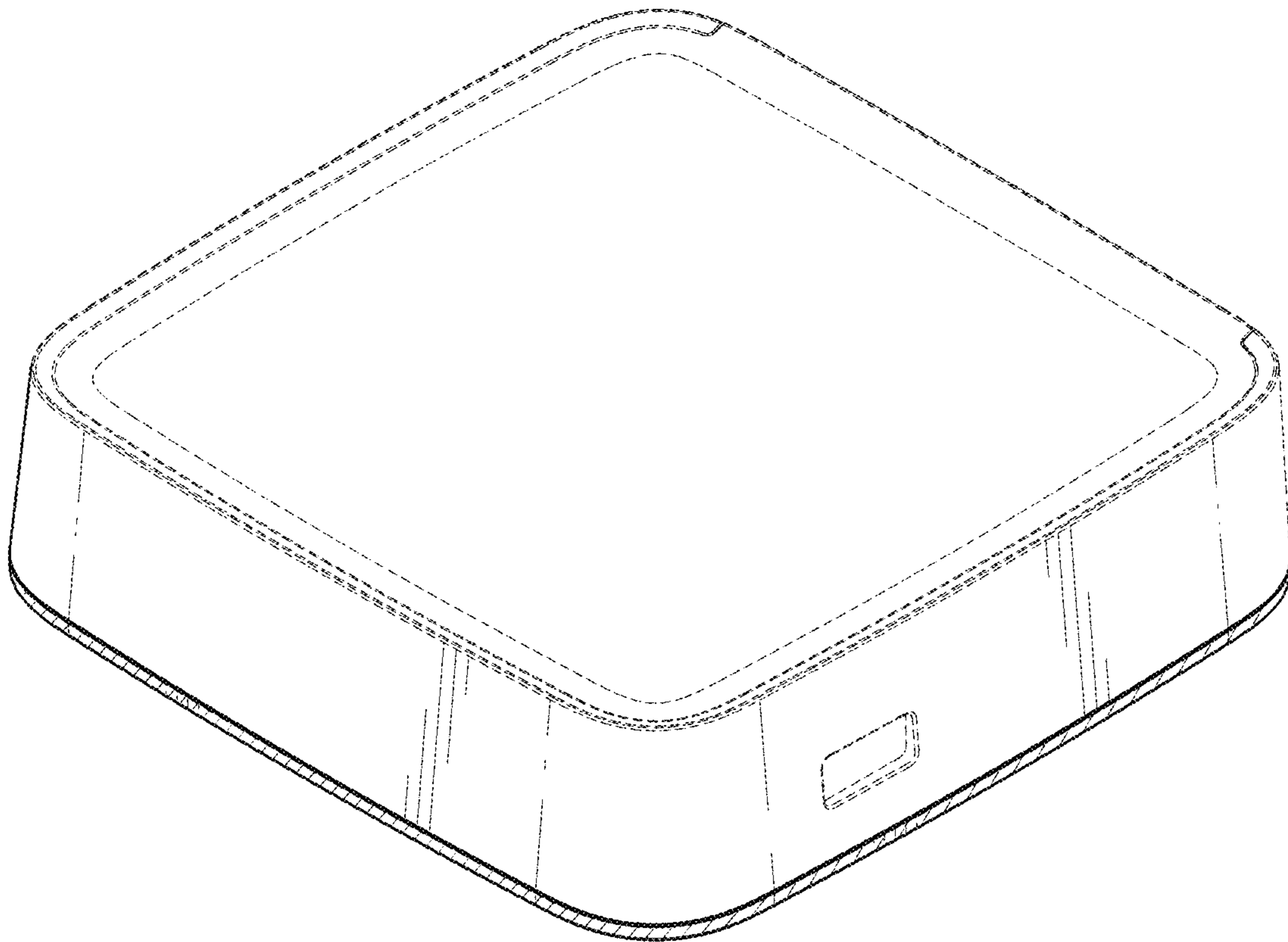
(56)

**References Cited**

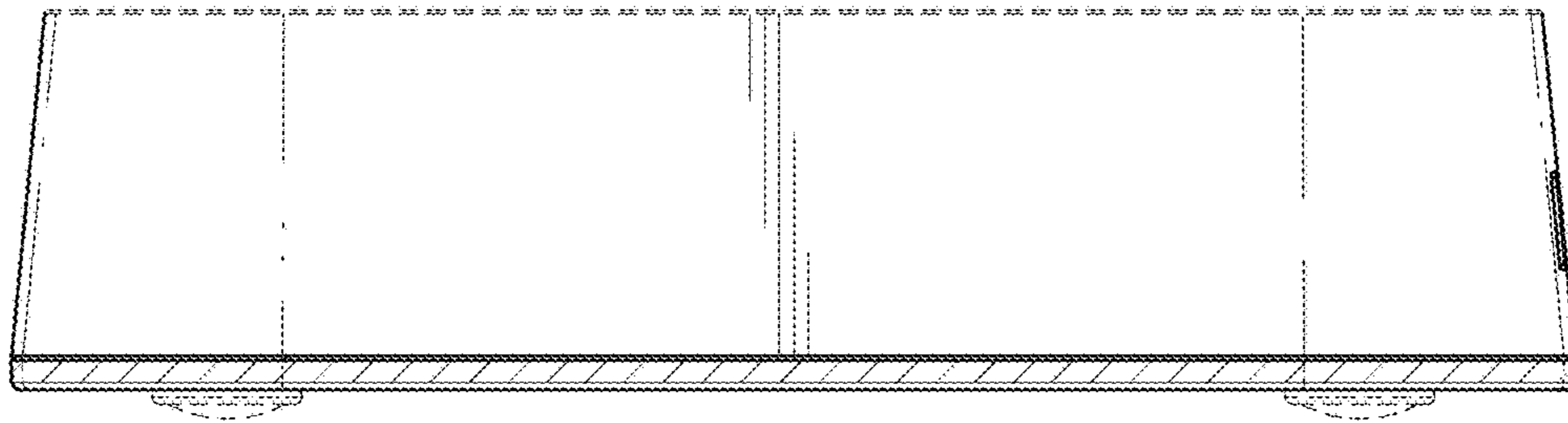
U.S. PATENT DOCUMENTS

D526,648 S	8/2006	Andre et al.	
D530,313 S	* 10/2006	Leng .....	D14/225
D544,497 S	6/2007	Kindle	
D558,790 S	1/2008	Yu et al.	
D563,994 S	3/2008	Liu	
D575,800 S	8/2008	Kusano	
D575,801 S	8/2008	Kusano et al.	
D594,875 S	6/2009	Sheba et al.	
D601,583 S	10/2009	Andre et al.	
D615,555 S	5/2010	Ho	
D620,953 S	8/2010	Andre et al.	
D621,282 S	8/2010	Yagi	
D633,503 S	3/2011	Bo	
D650,394 S	12/2011	Seoc et al.	
D662,091 S	* 6/2012	Loponen .....	D14/240
D676,005 S	2/2013	Wood et al.	
D685,392 S	7/2013	Chamness et al.	
D687,068 S	7/2013	Paradise et al.	
D707,667 S	6/2014	Kono et al.	
D727,360 S	4/2015	Peng et al.	

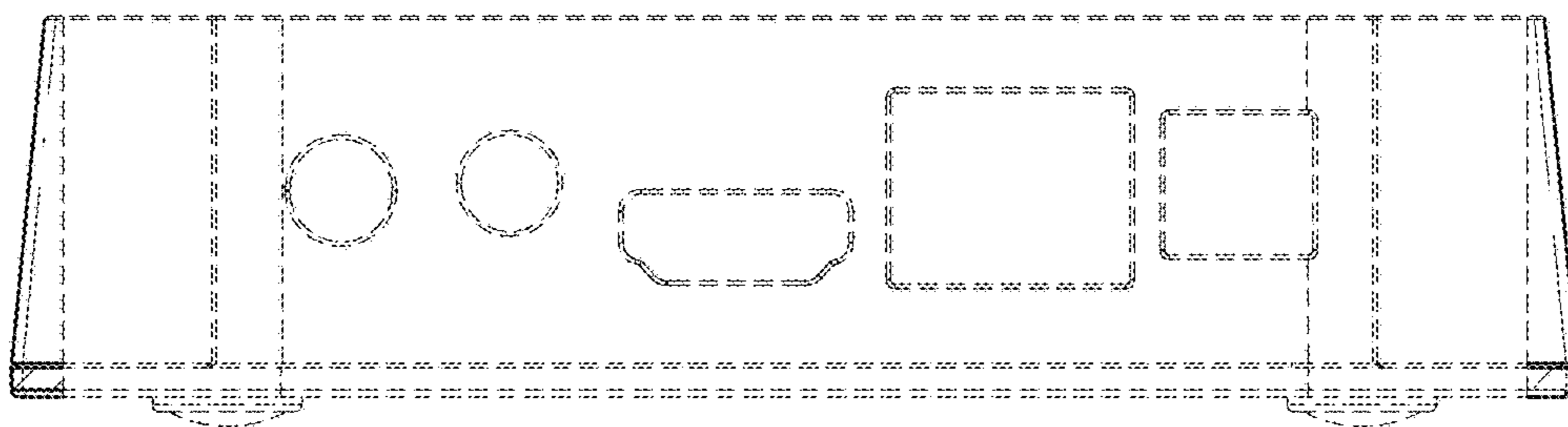
\* cited by examiner



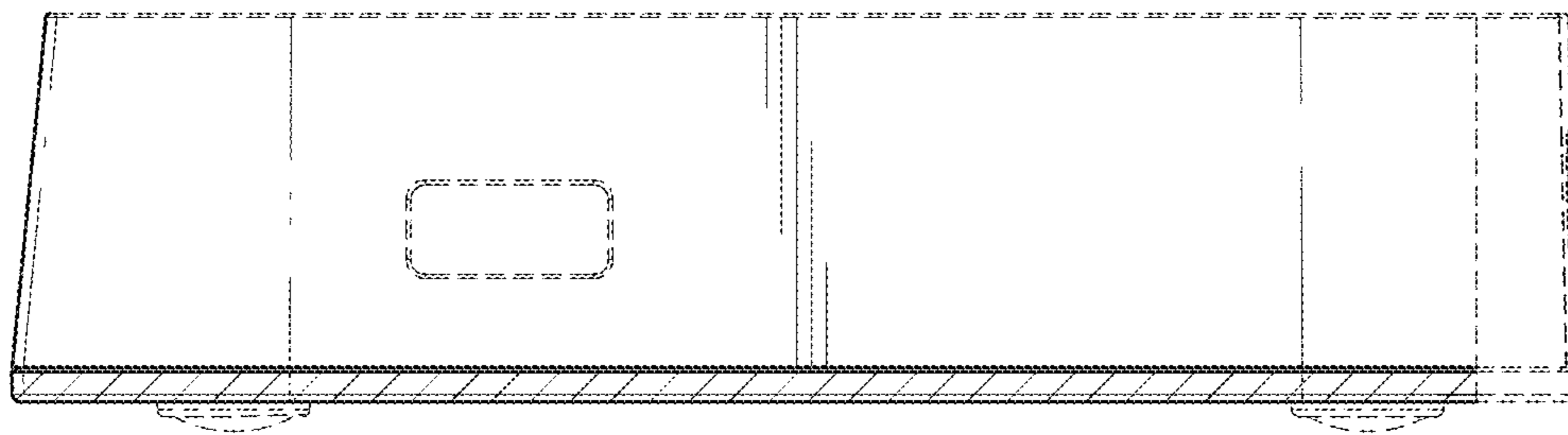
*FIG. 1*



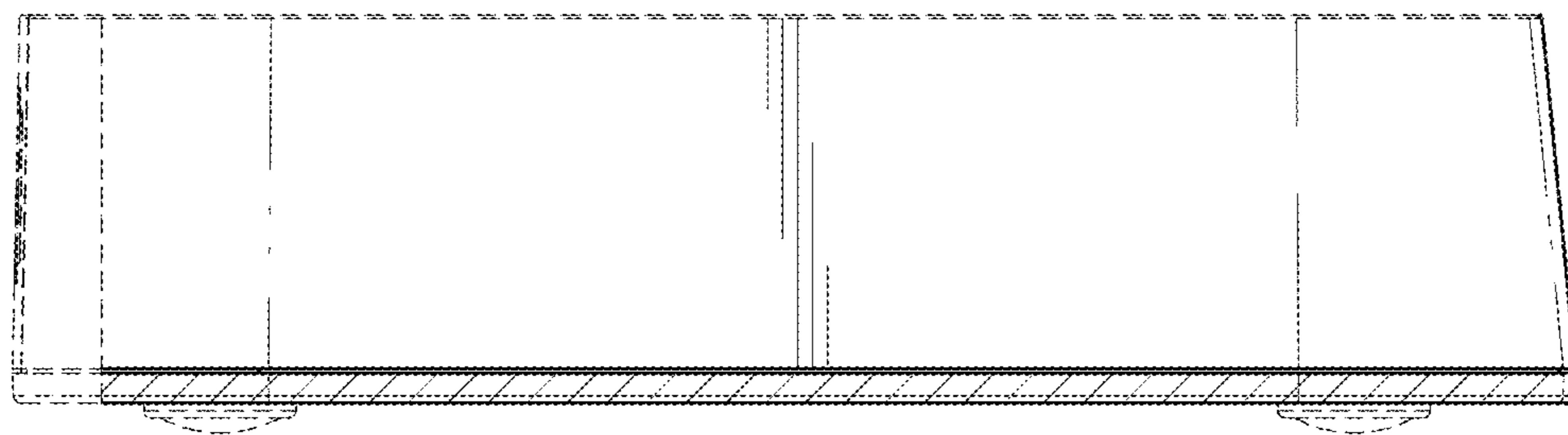
*FIG. 2*



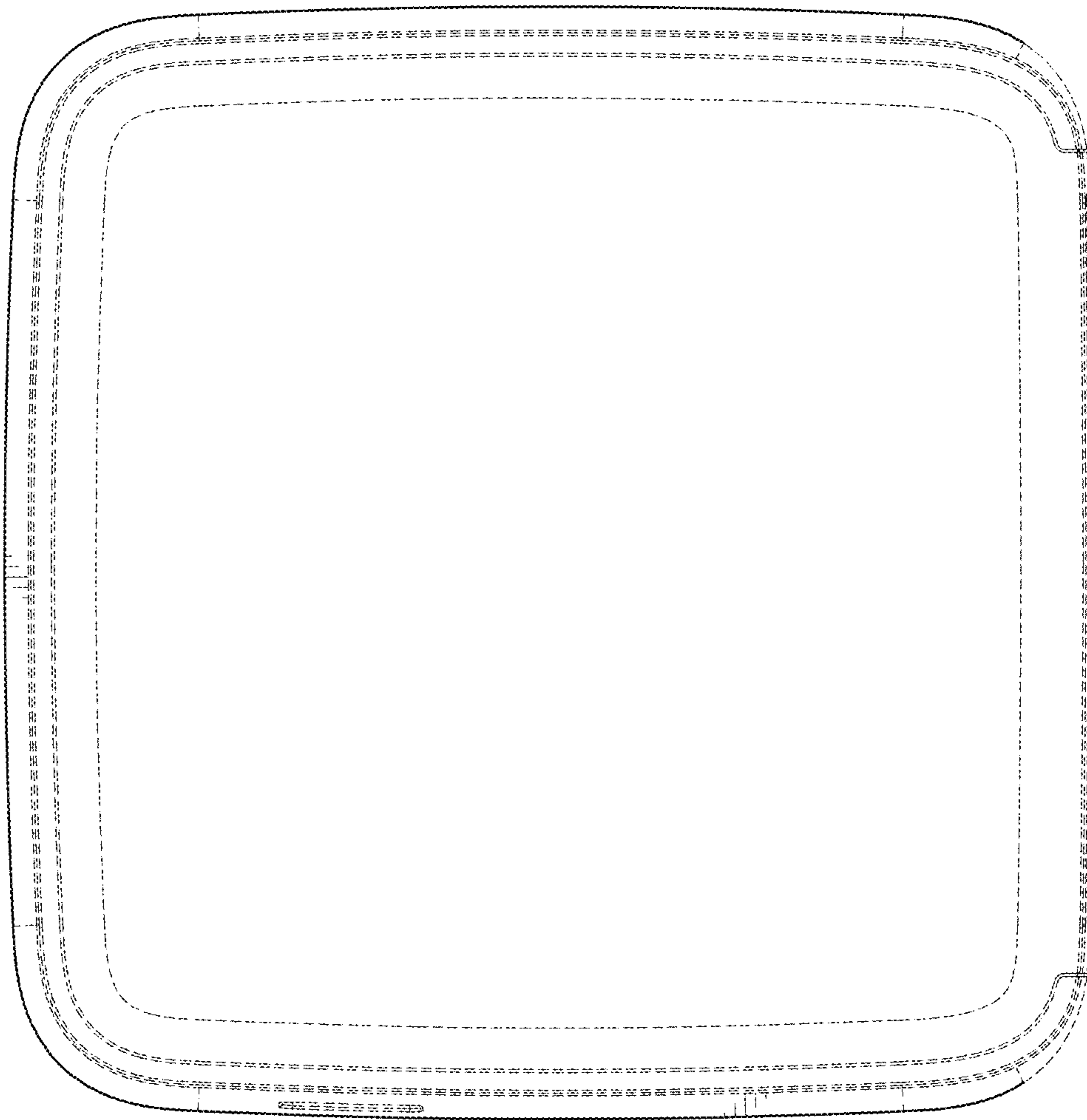
*FIG. 3*



*FIG. 4*



*FIG. 5*



*FIG. 6*

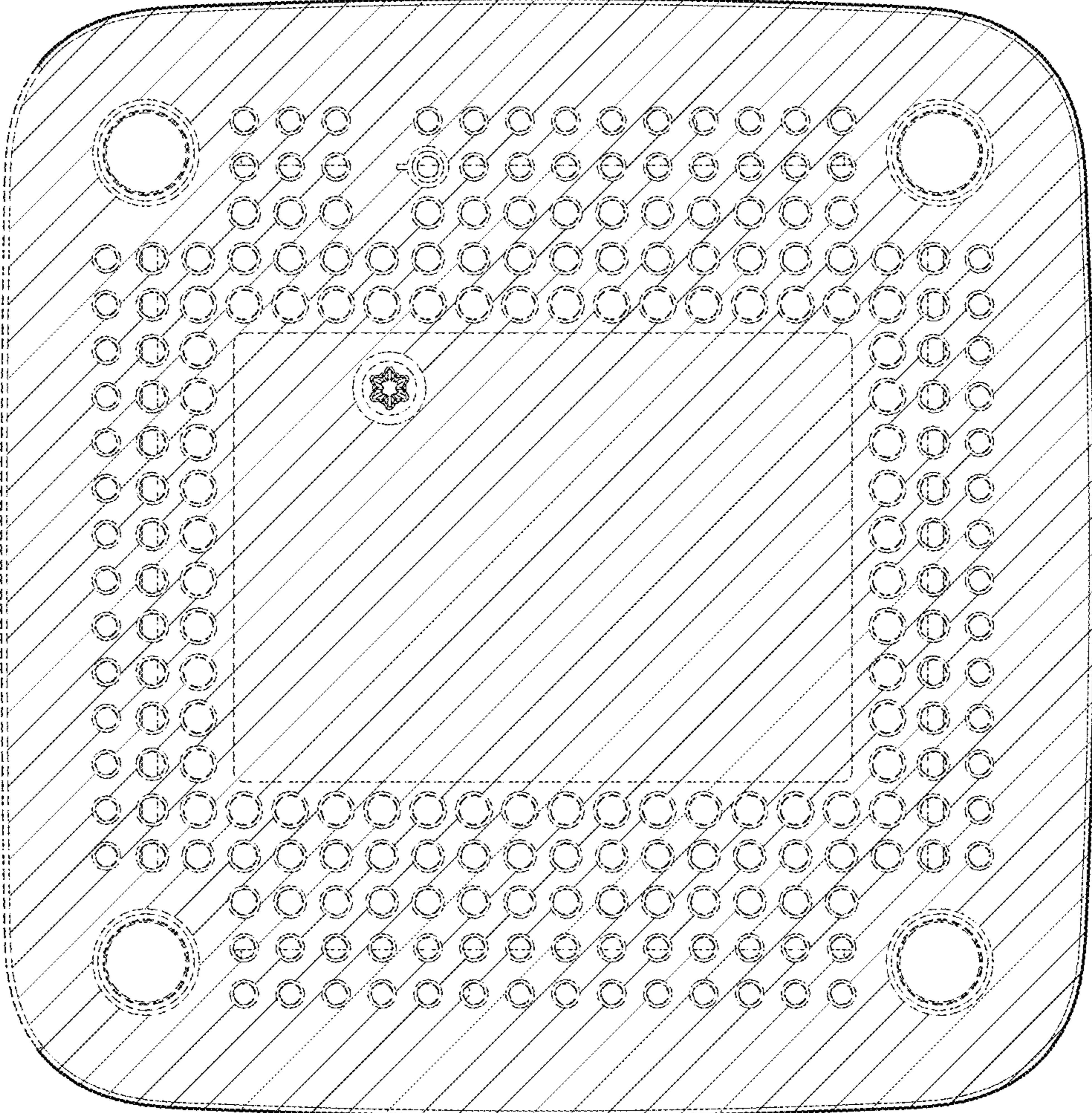


FIG. 7