

US00D797807S

(12) **United States Design Patent**
Mangum et al.

(10) **Patent No.:** **US D797,807 S**
(45) **Date of Patent:** **** *Sep. 19, 2017**

- (54) **MEDIA STREAMING DEVICE**
- (71) Applicant: **GOOGLE INC.**, Mountain View, CA (US)
- (72) Inventors: **Kristen Mangum**, San Mateo, CA (US); **Michael Jon Sundermeyer**, Palo Alto, CA (US); **Micah Thomas Collins**, Mountain View, CA (US)
- (73) Assignee: **Google Inc.**, Mountain View, CA (US)
- (*) Notice: This patent is subject to a terminal disclaimer.
- (**) Term: **15 Years**
- (21) Appl. No.: **29/558,451**
- (22) Filed: **Mar. 17, 2016**
- (51) **LOC (10) Cl.** **14-03**
- (52) **U.S. Cl.**
USPC **D14/496**
- (58) **Field of Classification Search**
USPC D14/432, 434, 447, 357, 299, 496, D14/203.1–203.8, 149, 155, 157, 188, D14/209.1, 217; D21/324, 328, 332, 333; 361/600, 679–686; 320/114, 115; 345/156–161, 905, 901; 439/529, 534, 439/929; 455/556, 556.2, 557; 348/14.01–14.1, 211.12, 211.13; 386/235, 200, 239; 715/751, 753; 725/143, 151, 153, 135; 709/204, 211, 709/217
CPC G06F 1/16; G06F 5/00; G06F 3/00; H04N 5/225; H04N 5/40; G05F 3/048
See application file for complete search history.

- D502,154 S * 2/2005 Peng D14/126
- D527,017 S * 8/2006 Kim D14/203.6
- D531,159 S * 10/2006 Park D14/203.3
- D533,187 S 12/2006 Lee
- 7,277,272 B2 * 10/2007 Hsiung G11B 17/051
361/679.01
- D578,546 S 10/2008 Fullerton
- 7,525,289 B2 * 4/2009 Janik G06F 17/30749
320/132
- 7,533,367 B2 * 5/2009 Balsiger G06F 9/4443
715/273
- 7,733,393 B2 * 6/2010 Yoshida H04N 5/3595
348/245
- D631,893 S 2/2011 Ward et al.
- D647,917 S * 11/2011 Voorhees D14/203.3
- D710,386 S 8/2014 Aglassinger

(Continued)

Primary Examiner — Prabhakar G Deshmukh
(74) *Attorney, Agent, or Firm* — Brake Hughes
Bellermann LLP

(57) **CLAIM**

The ornamental design for a media streaming device, as shown and described.

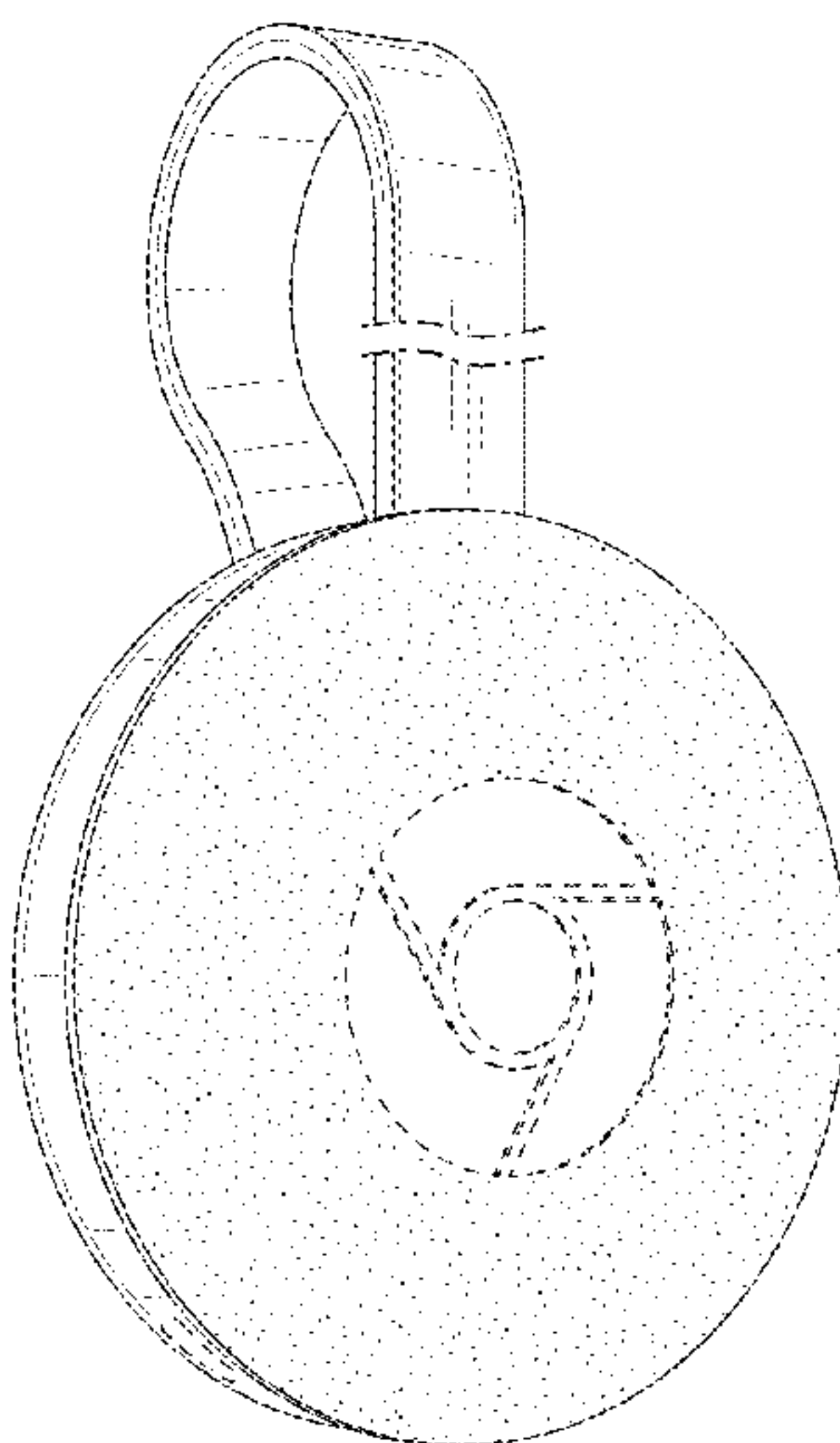
DESCRIPTION

FIG. 1 is a perspective view of a media streaming device showing our new design;
FIG. 2 is a front elevational view thereof;
FIG. 3 is a rear elevational view thereof;
FIG. 4 is a left side elevational view thereof;
FIG. 5 is a right-side elevational view thereof;
FIG. 6 is a top plan view thereof; and,
FIG. 7 is a bottom plan view thereof.
The broken lines in the drawing illustrate unclaimed portions and form no part of the claimed design. The break lines indicated undetermined length of the strap. The portion between the break lines forms no part of the claimed design.

(56) **References Cited**
U.S. PATENT DOCUMENTS

- 6,591,085 B1 7/2003 Grady
- D487,887 S * 3/2004 Hutchinson D14/508

1 Claim, 7 Drawing Sheets



(56)

References Cited

U.S. PATENT DOCUMENTS

9,015,334 B2 *	4/2015	Harris	G06Q 30/02 709/231
9,112,849 B1	8/2015	Werkelin Ahlin et al.	
9,131,260 B2	9/2015	Klarke et al.	
9,252,950 B2	2/2016	Caspi	
9,271,033 B2	2/2016	Arling et al.	
9,276,967 B2 *	3/2016	Casey	H04N 21/2662
9,286,854 B2 *	3/2016	Klarke	H04N 21/6125
D754,126 S *	4/2016	Xiong	D14/341

* cited by examiner

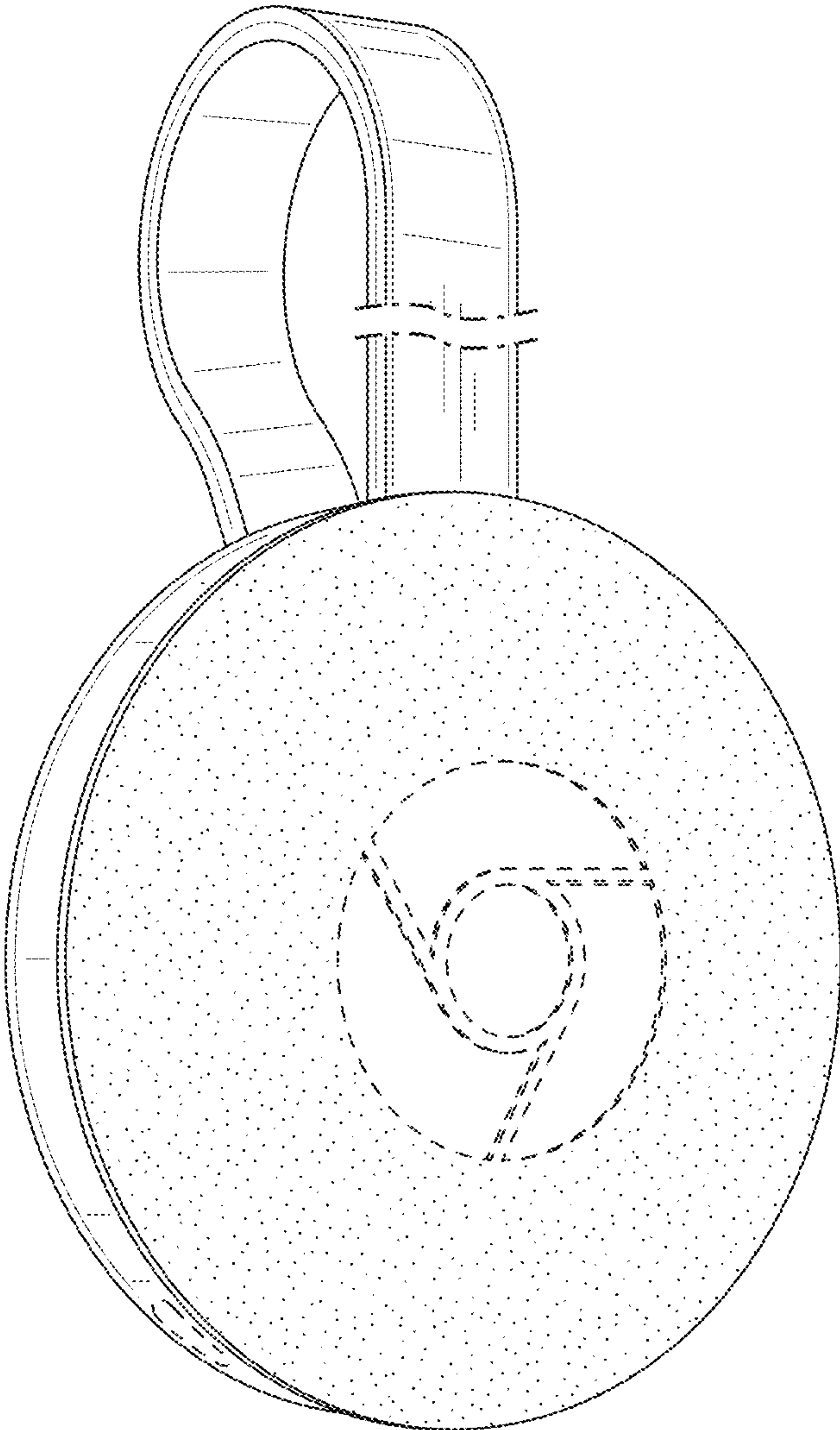


FIG. 1

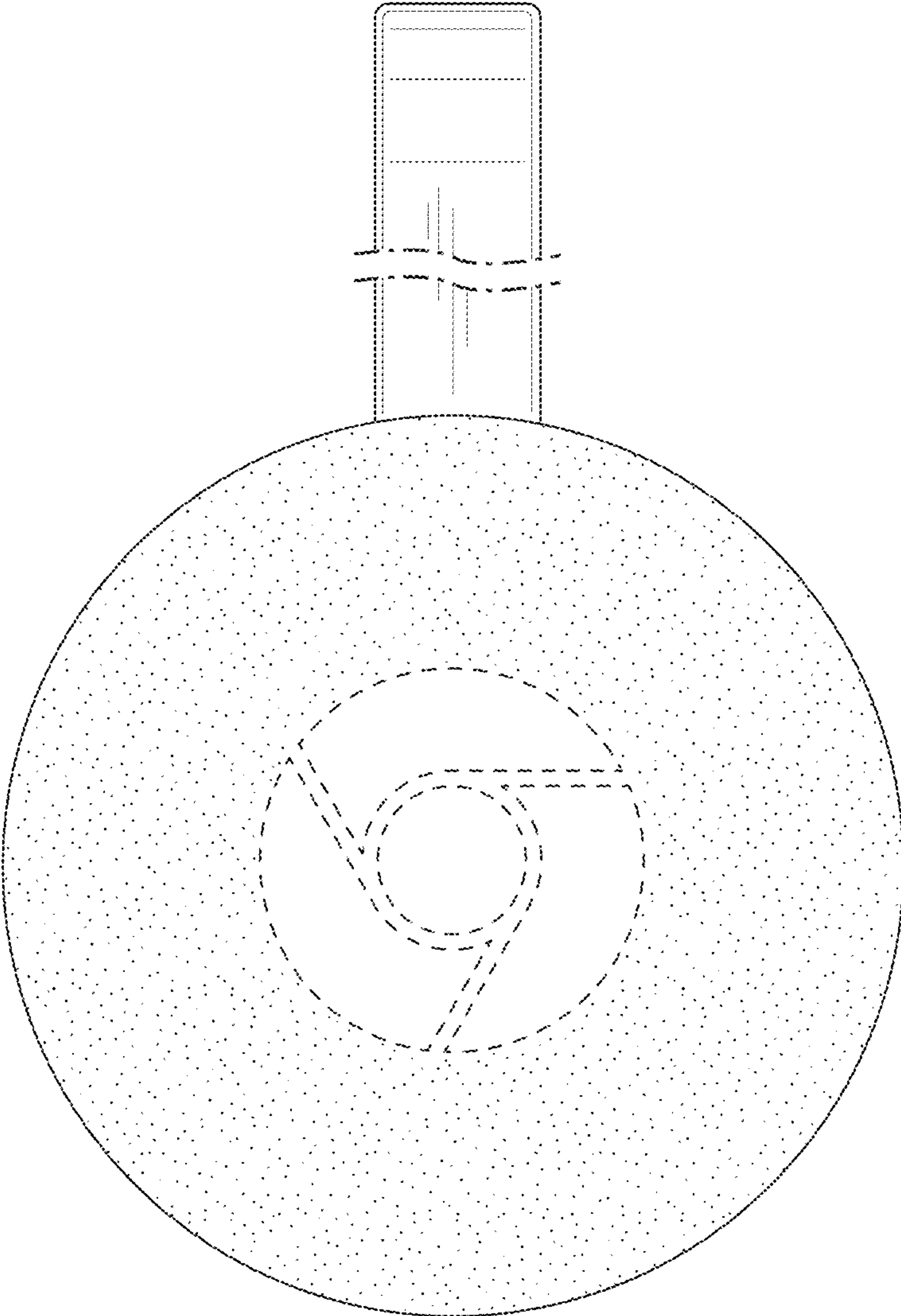


FIG. 2

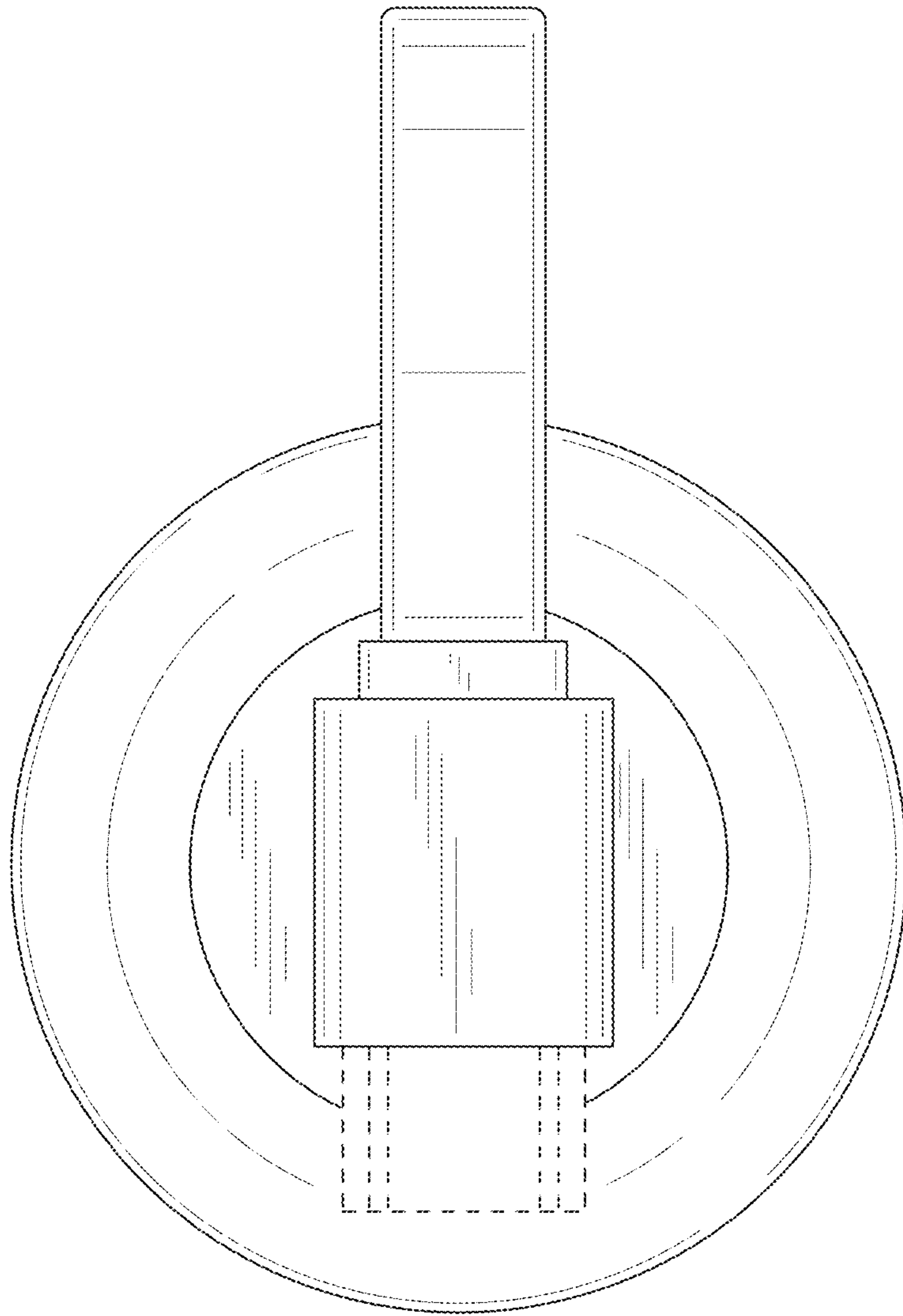


FIG. 3

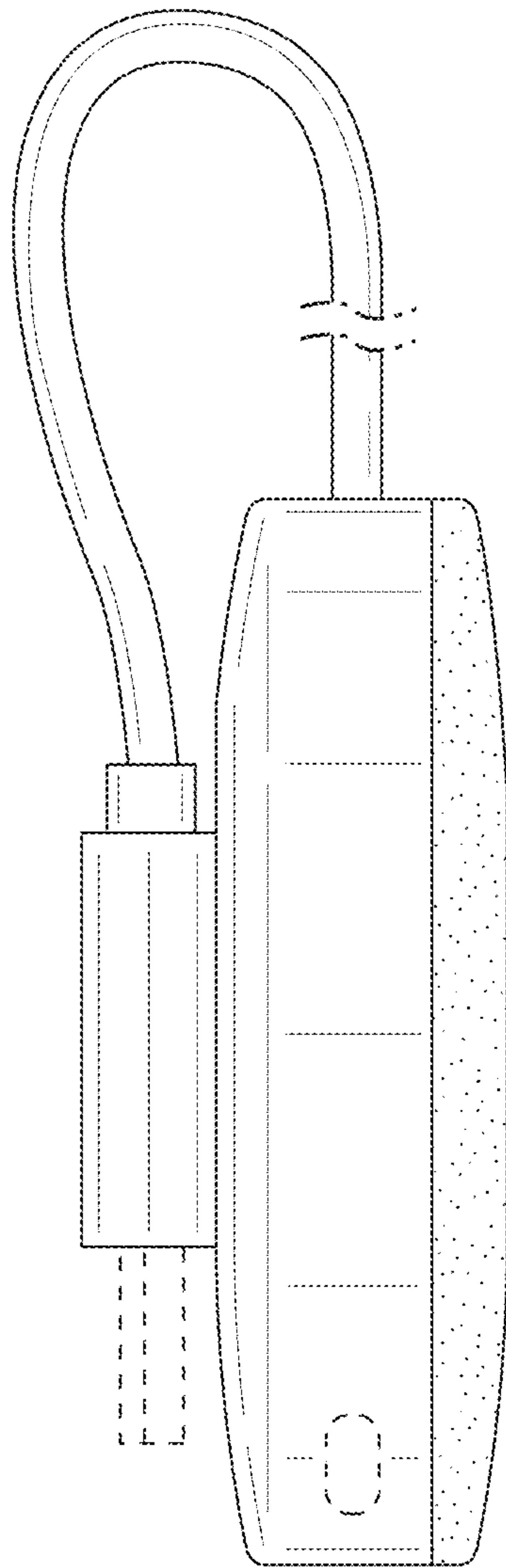


FIG. 4

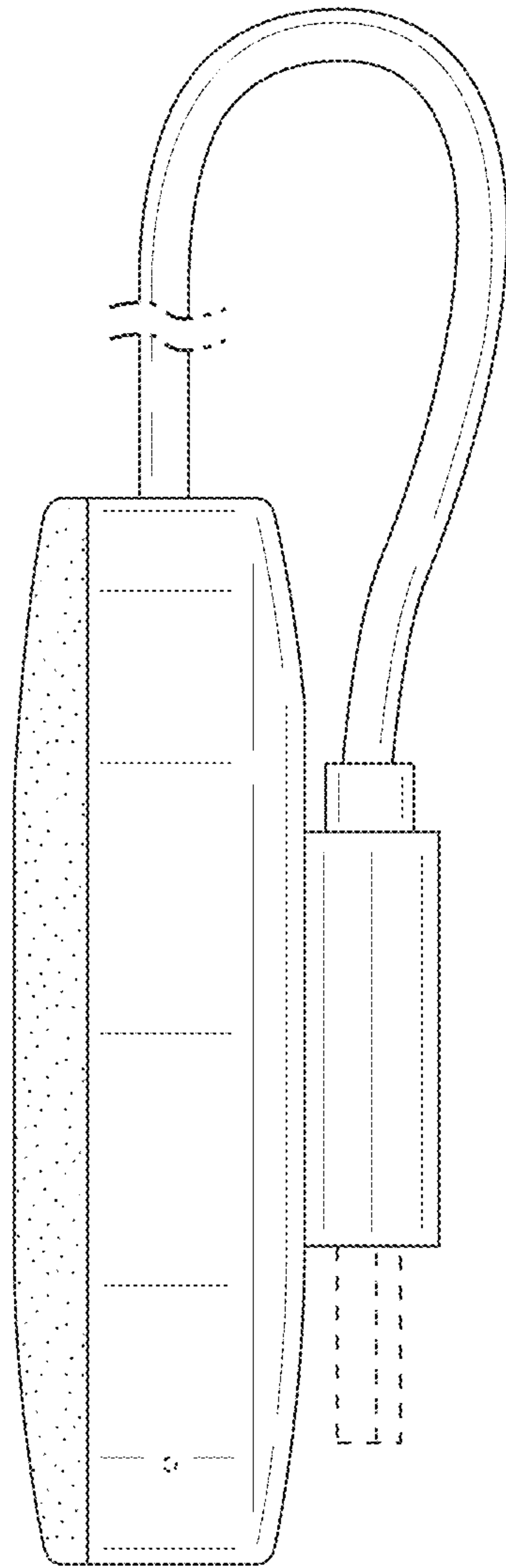


FIG. 5

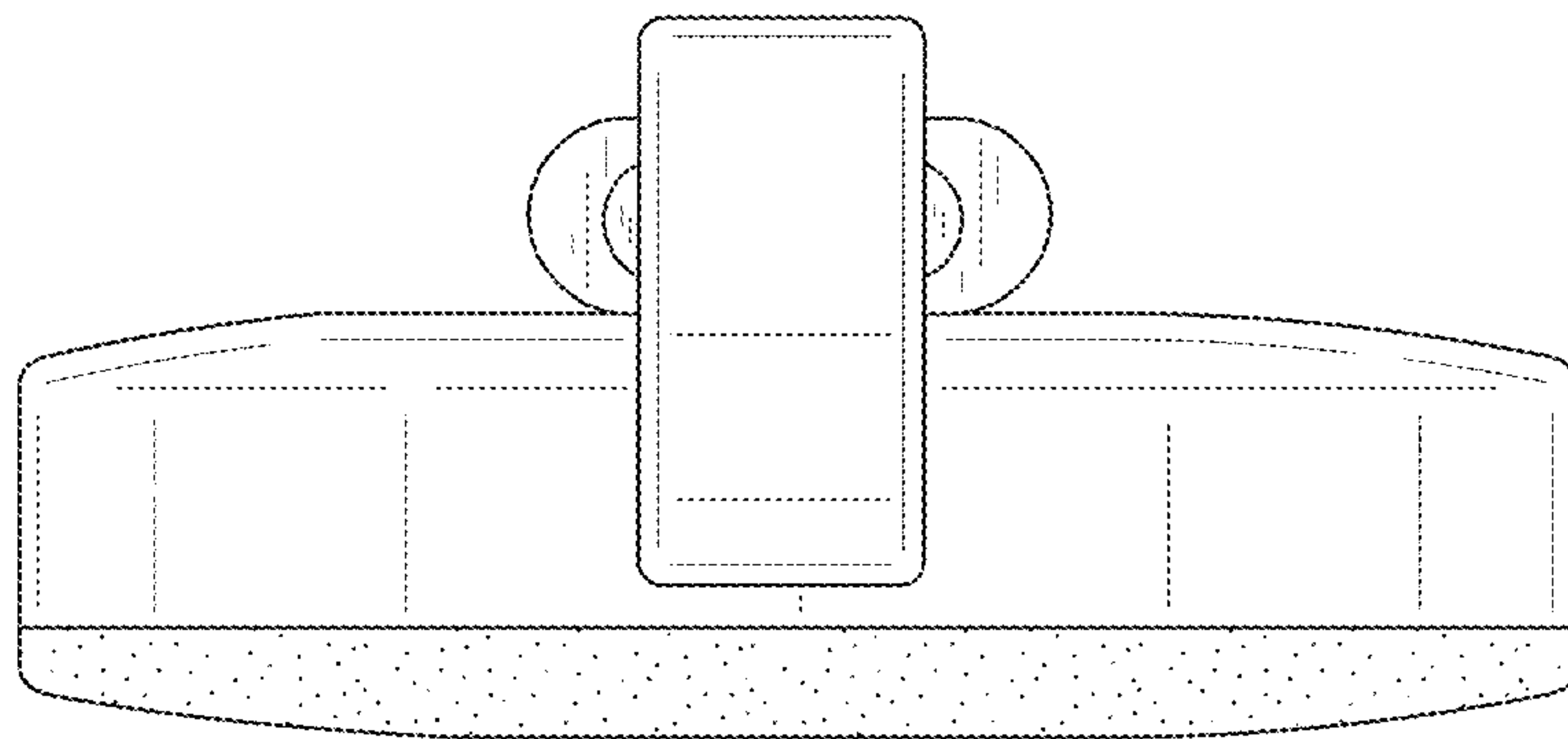


FIG. 6

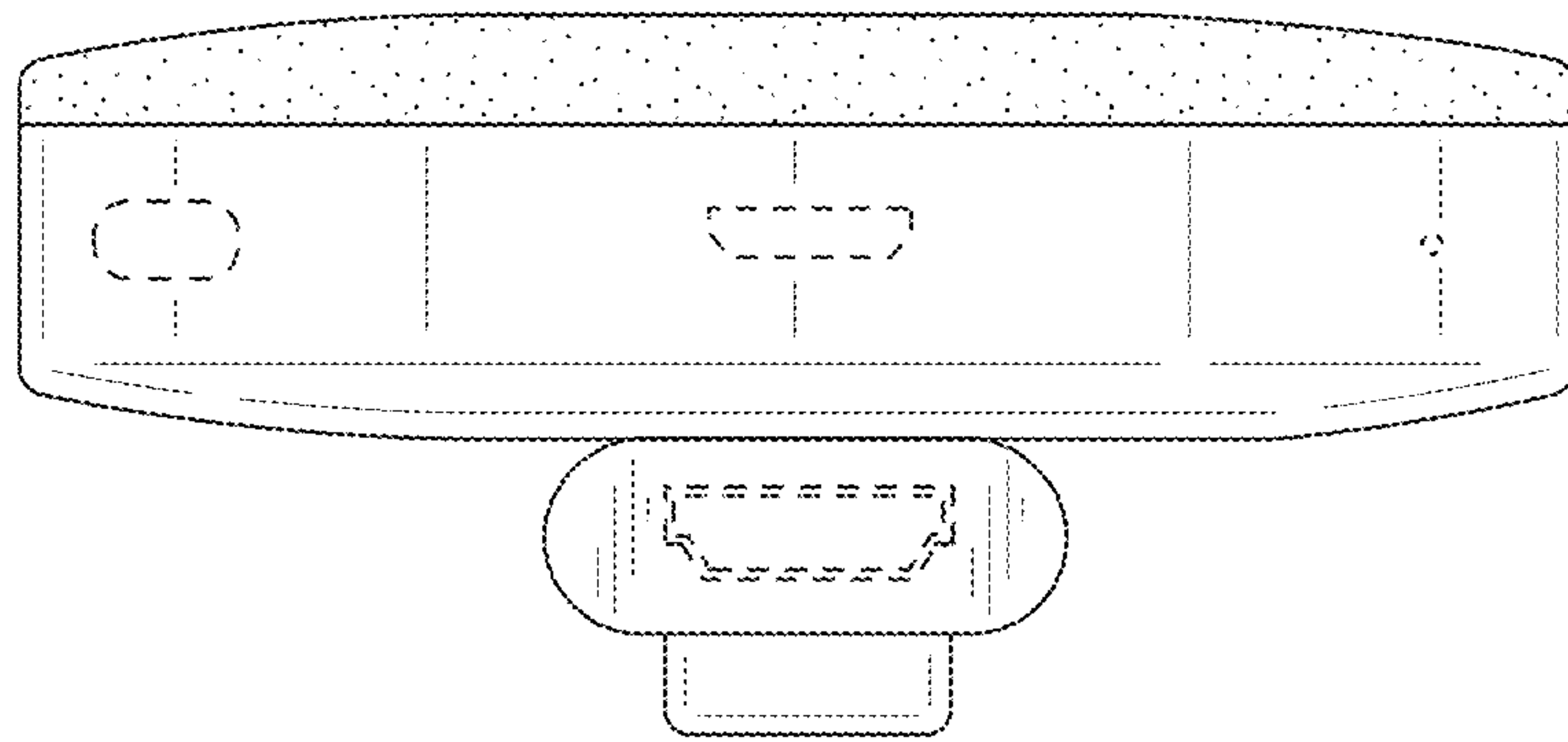


FIG. 7