



US00D797804S

(12) **United States Design Patent**
Sakuma

(10) **Patent No.:** **US D797,804 S**
(45) **Date of Patent:** **** Sep. 19, 2017**

(54) **DISPLAY SCREEN FOR DIGITAL CAMERA WITH GRAPHICAL USER INTERFACE**

D670,721 S * 11/2012 Yang D14/486
D673,173 S * 12/2012 Chen D14/487
D708,204 S * 7/2014 Pasceri D14/487

(Continued)

(71) Applicant: **FUJIFILM Corporation**, Minato-ku, Tokyo (JP)

Primary Examiner — Karen Kearney

(72) Inventor: **Nanae Sakuma**, Minato-ku (JP)

Assistant Examiner — Rachel Voorhies

(73) Assignee: **FUJIFILM Corporation**, Minato-Ku, Tokyo (JP)

(74) *Attorney, Agent, or Firm* — Sughrue Mion, PLLC

(**) Term: **15 Years**

(57) **CLAIM**

The ornamental design for a display screen for digital camera with graphical user interface, as shown and described.

(21) Appl. No.: **29/543,348**

DESCRIPTION

(22) Filed: **Oct. 23, 2015**

(30) **Foreign Application Priority Data**

Apr. 24, 2015 (JP) 2015-009336

(51) **LOC (10) Cl.** **14-04**

(52) **U.S. Cl.**
USPC **D14/492; D14/488**

(58) **Field of Classification Search**
USPC D16/200, 210, 211, 218, 219, 202–206, D16/208, 201, 217; D9/414, 418, 427, D9/430, 432; D6/517, 524, 527, 528, D6/531, 535, 559; D14/174, 194, 204, D14/221, 485–495; 348/148, 372–376; 396/529, 535, 539–541
CPC G03B 15/03; G03B 17/02; G03B 17/04; G03B 17/56; G03B 19/04; G03B 1/00; G03B 7/00; G03B 13/02; G03B 13/04; G03B 13/1963; H04N 5/2251; H04N 5/2252; H04N 5/2253; H04N 5/2254

See application file for complete search history.

FIG. 1 is a top, rear and left side perspective view of a display screen for digital camera with graphical user interface showing my new design;

FIG. 2 is a front elevational view thereof;

FIG. 3 is a rear elevational view thereof;

FIG. 4 is a top plan view thereof;

FIG. 5 is a bottom plan view thereof;

FIG. 6 is a left side elevational view thereof;

FIG. 7 is a right side elevational view thereof;

FIG. 8 is an enlarged view of the first image in a sequence for a display screen for a digital camera with graphical user interface;

FIG. 9 is an enlarged view of the second image thereof;

FIG. 10 is an enlarged view of the third image thereof; and,

FIG. 11 is an enlarged view of a portion defined between arrowheads 11-11 of FIG. 9.

The broken line showing of the digital camera illustrates the environment of the claimed design and forms no part thereof. The broken lines within display screen in the drawings illustrate portions of the graphical user interface which form no part of the claimed design.

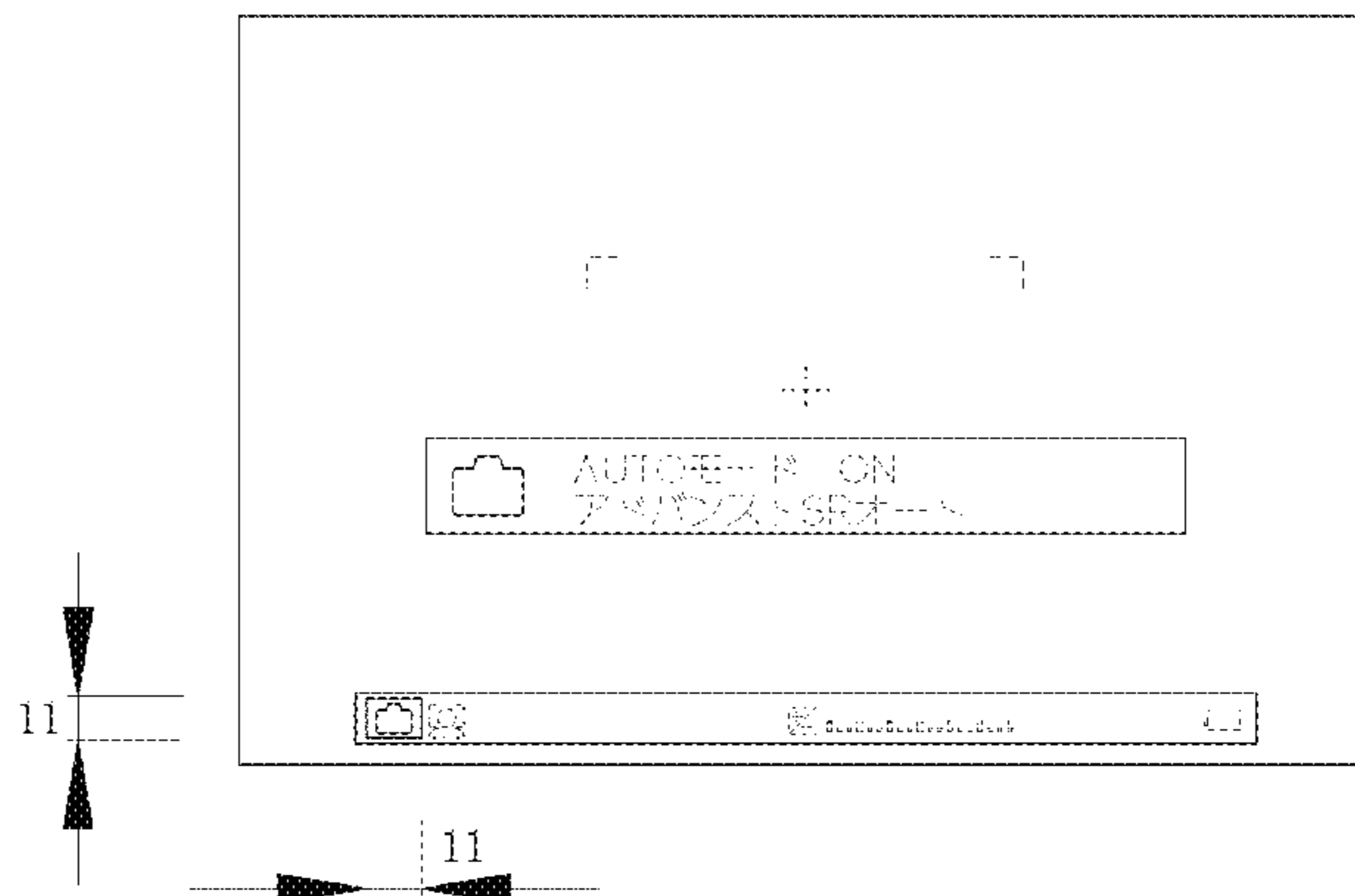
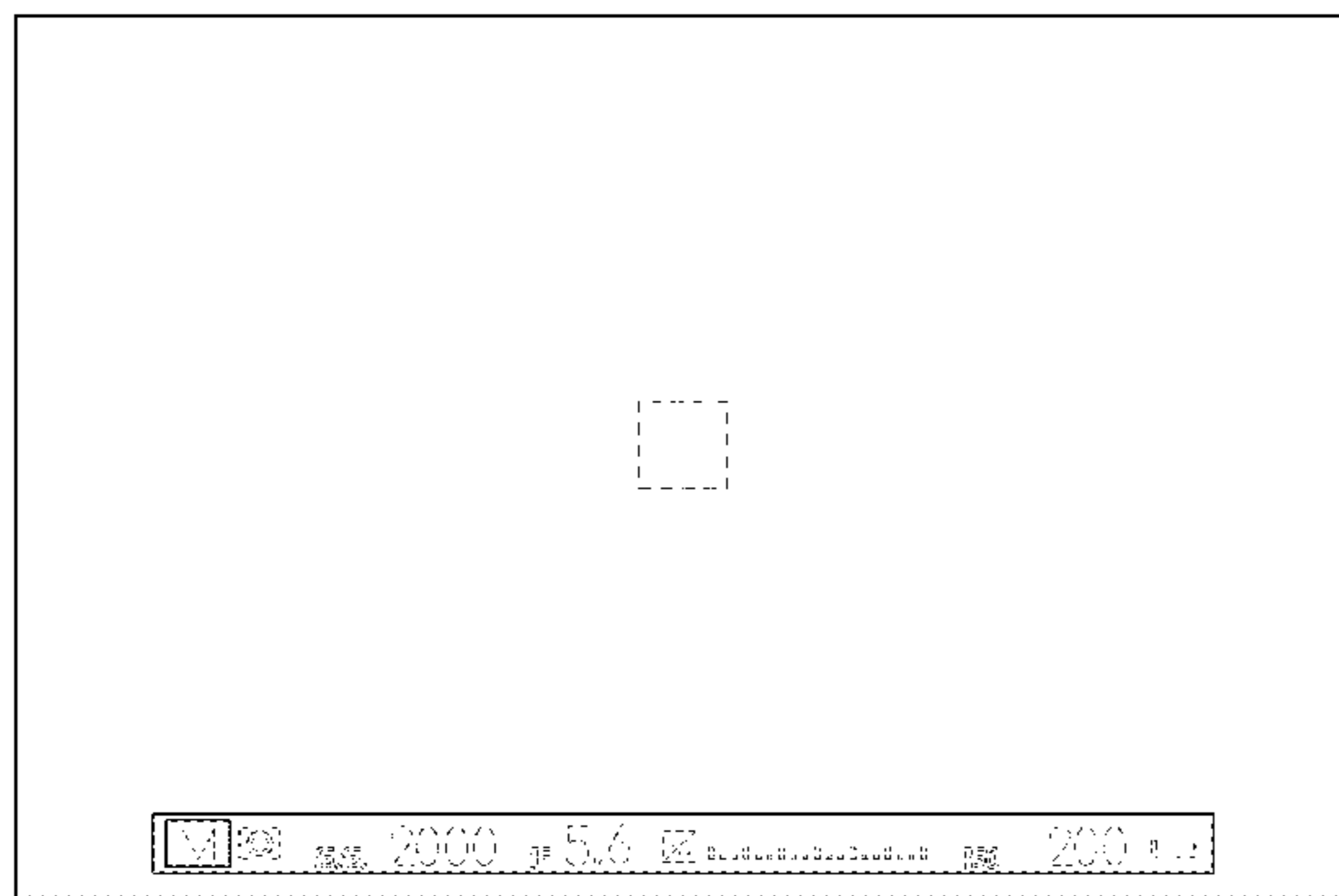
The appearance of the transitional image sequentially transitions between the images shown in FIGS. 8-10. No ornamental aspects are associated with the process or period in which one image transitions to another image.

(56) **References Cited**

U.S. PATENT DOCUMENTS

D529,509 S * 10/2006 Stabb D14/485
D591,762 S * 5/2009 Scalisi D14/485

1 Claim, 11 Drawing Sheets



(56)

References Cited

U.S. PATENT DOCUMENTS

D713,853	S	*	9/2014	Jaini	D14/486
D733,730	S	*	7/2015	Jin	D14/486
D741,872	S	*	10/2015	Hall	G06F 3/04817
						D14/485
D743,984	S	*	11/2015	Salituri	D14/486
D751,104	S	*	3/2016	Chetan	D14/486
D751,593	S	*	3/2016	Gardner	D14/486
D753,674	S	*	4/2016	Heeter	D14/485
D753,686	S	*	4/2016	Vardy	D14/486
D754,702	S	*	4/2016	Pinski	D14/486
D755,193	S	*	5/2016	Sun	D14/485
D758,386	S	*	6/2016	Zhang	D14/485
D759,671	S	*	6/2016	Zarick	D14/485
D760,259	S	*	6/2016	Watson	D14/486
D761,805	S	*	7/2016	Eom	D14/485
D762,685	S	*	8/2016	Eom	D14/486

* cited by examiner

FIG. 1

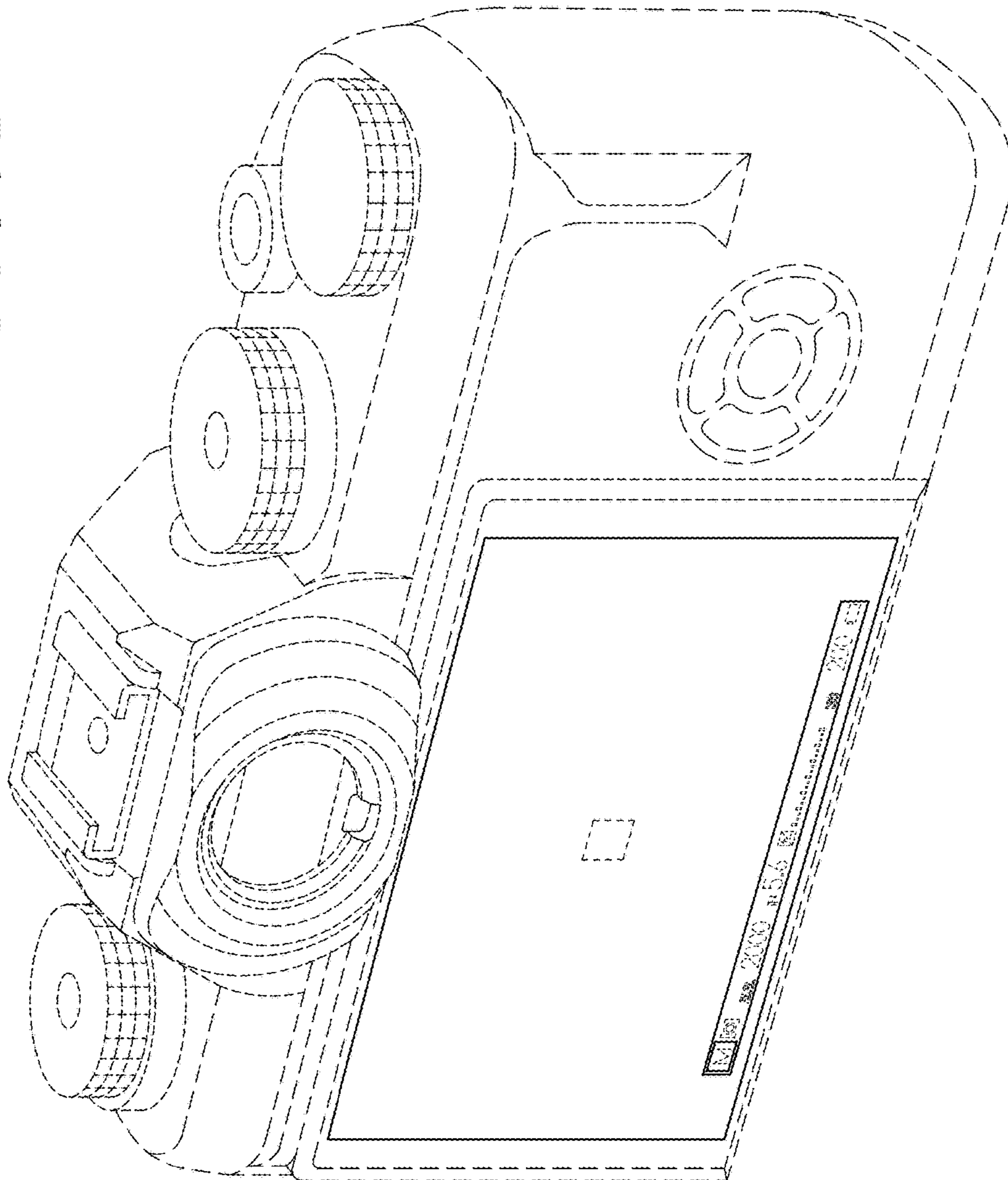


FIG. 2

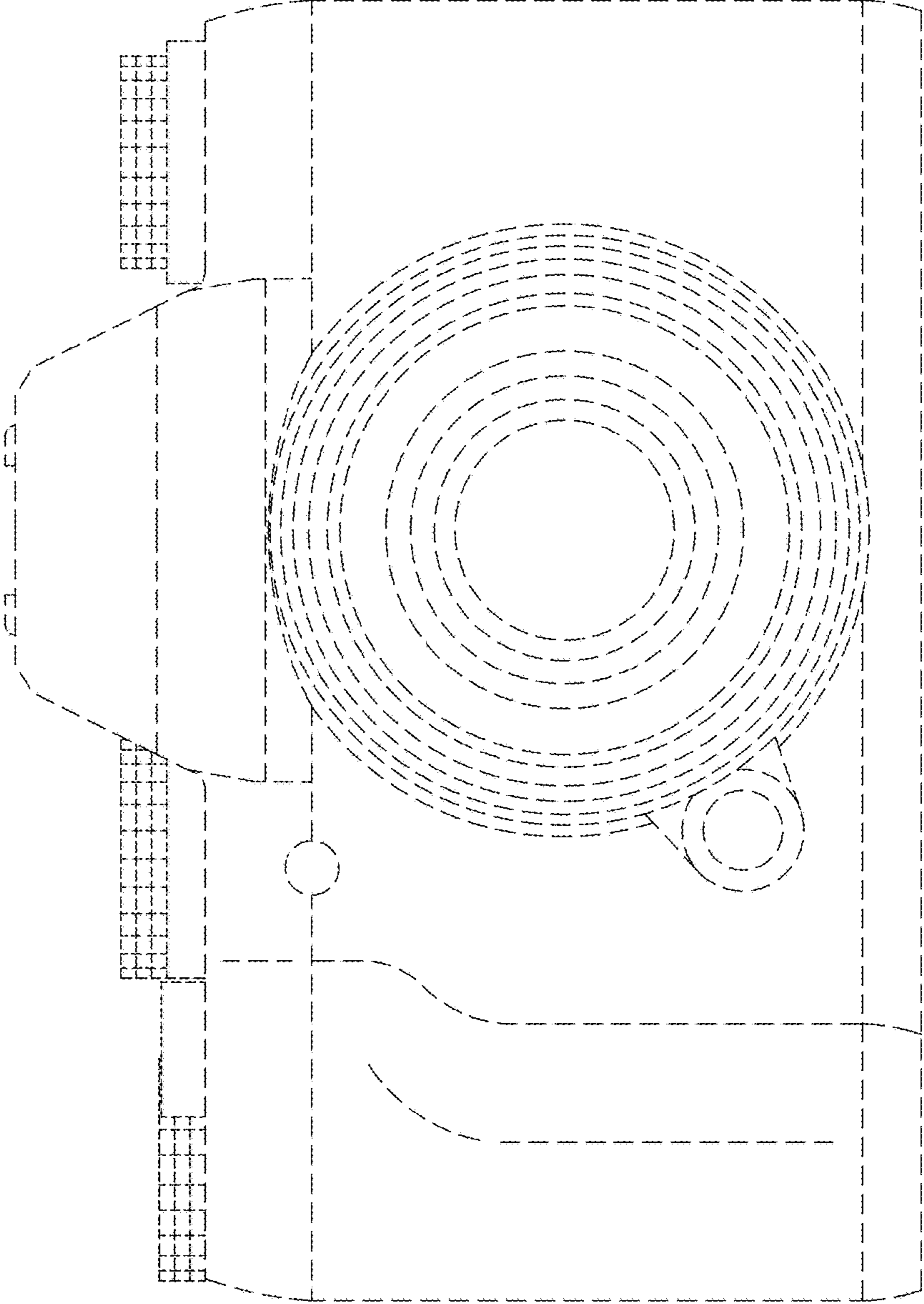


FIG. 4

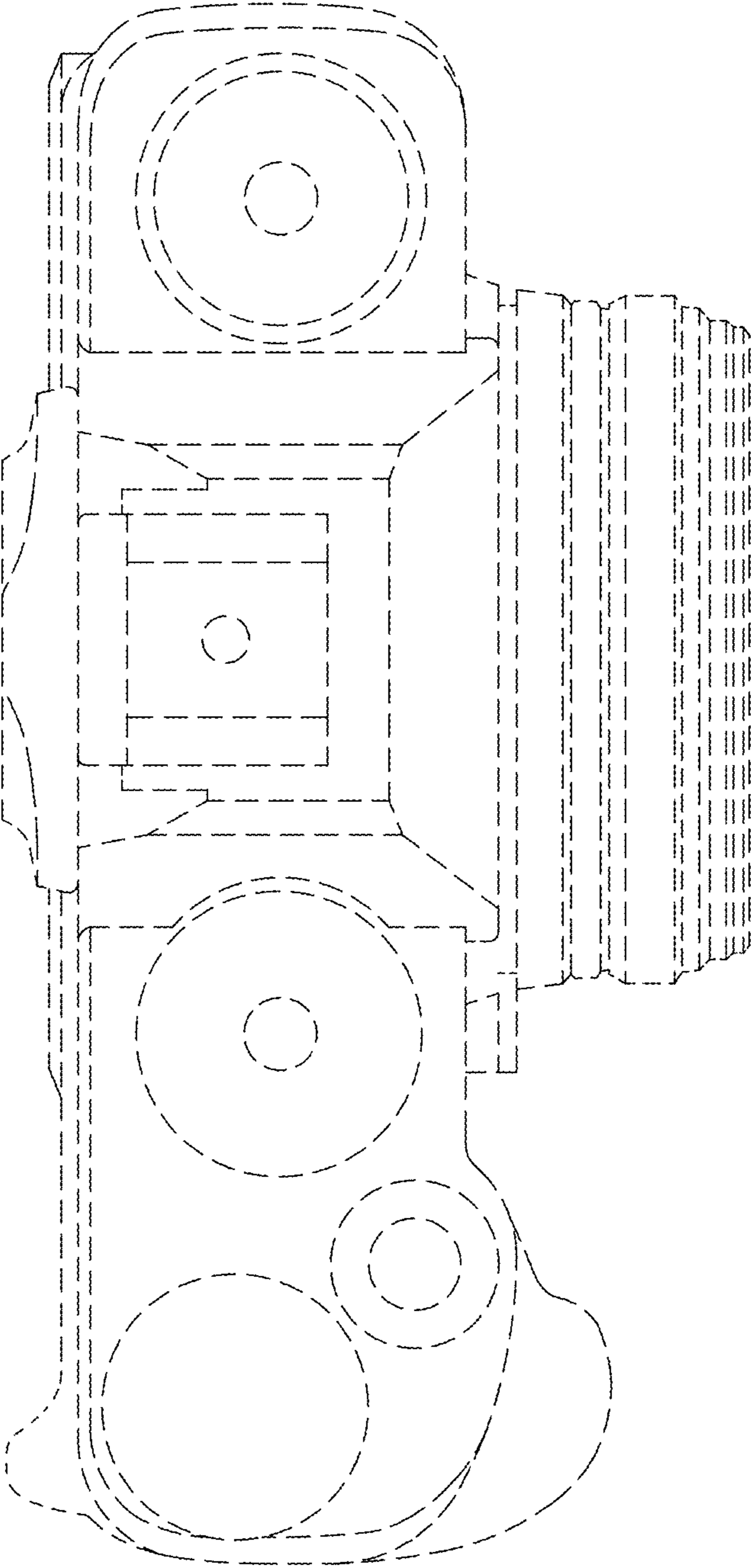


FIG. 5

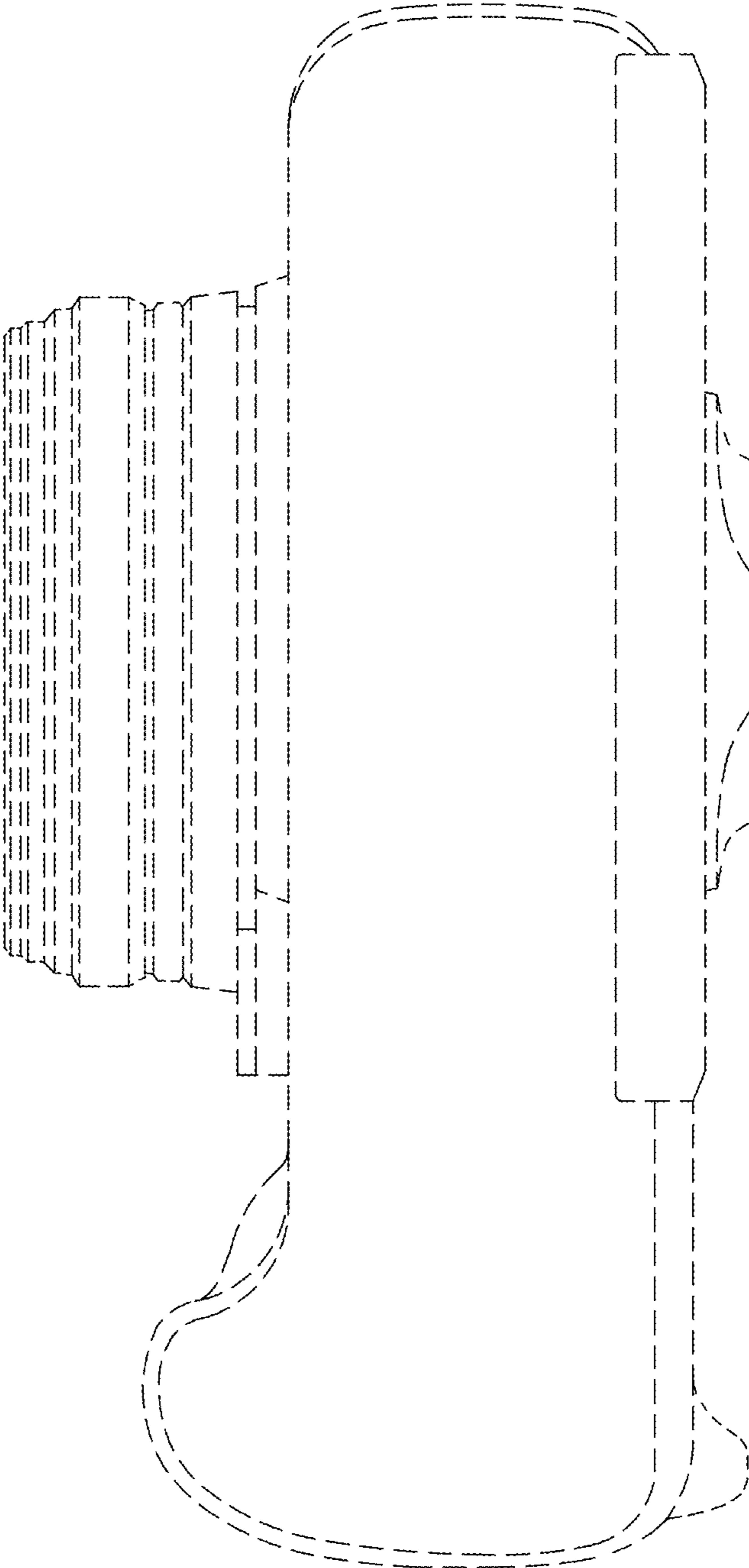


FIG. 6

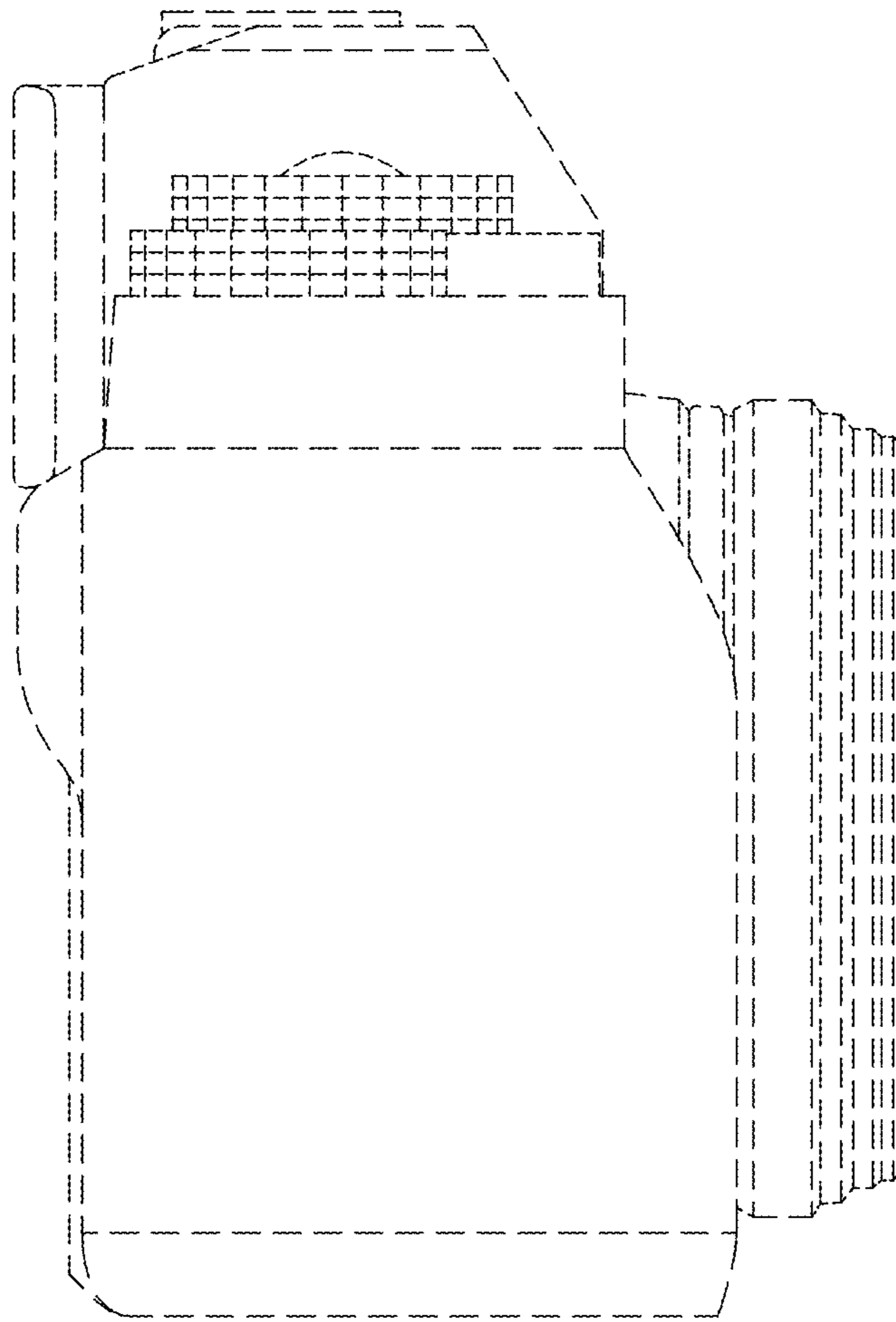


FIG. 7

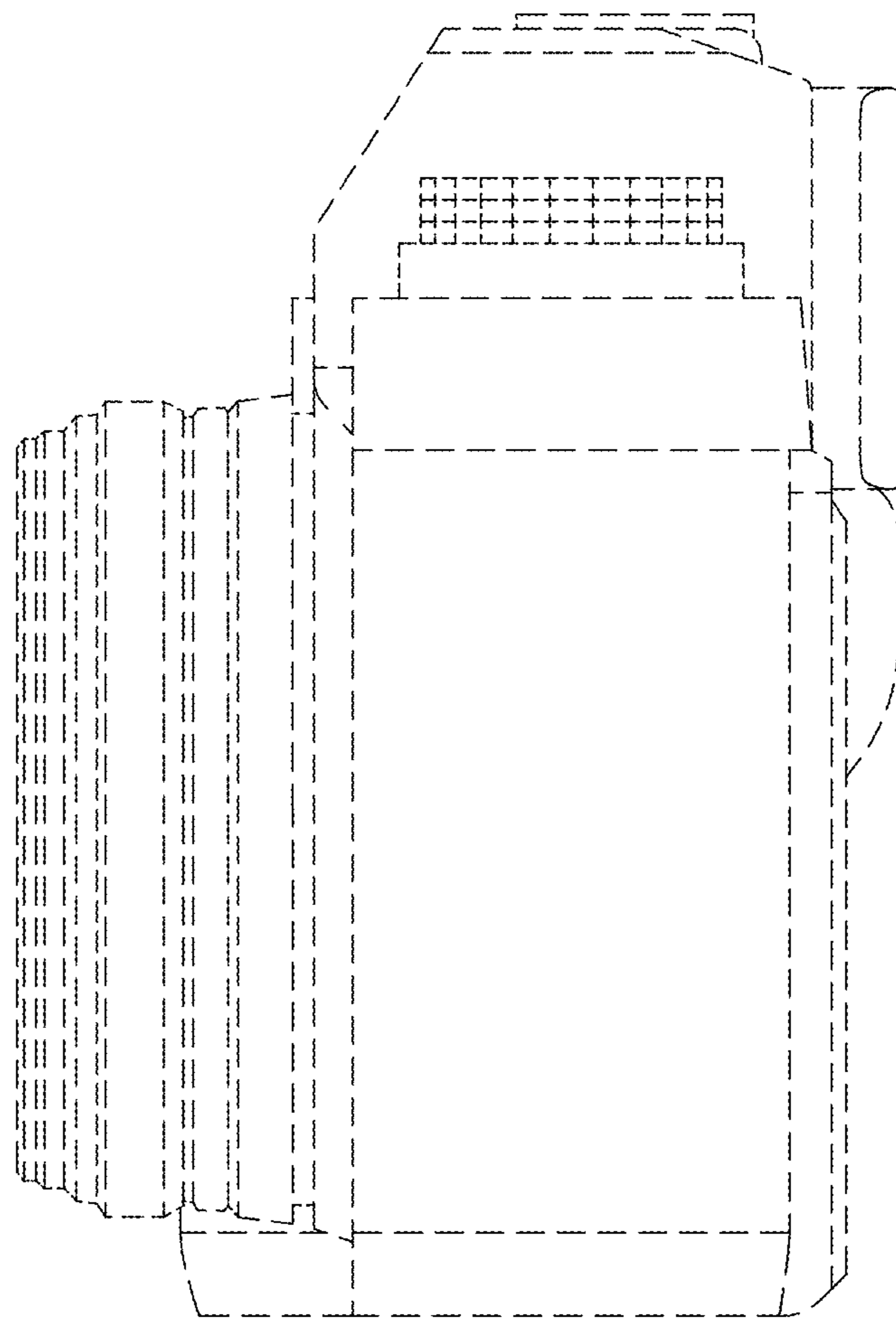


FIG. 8

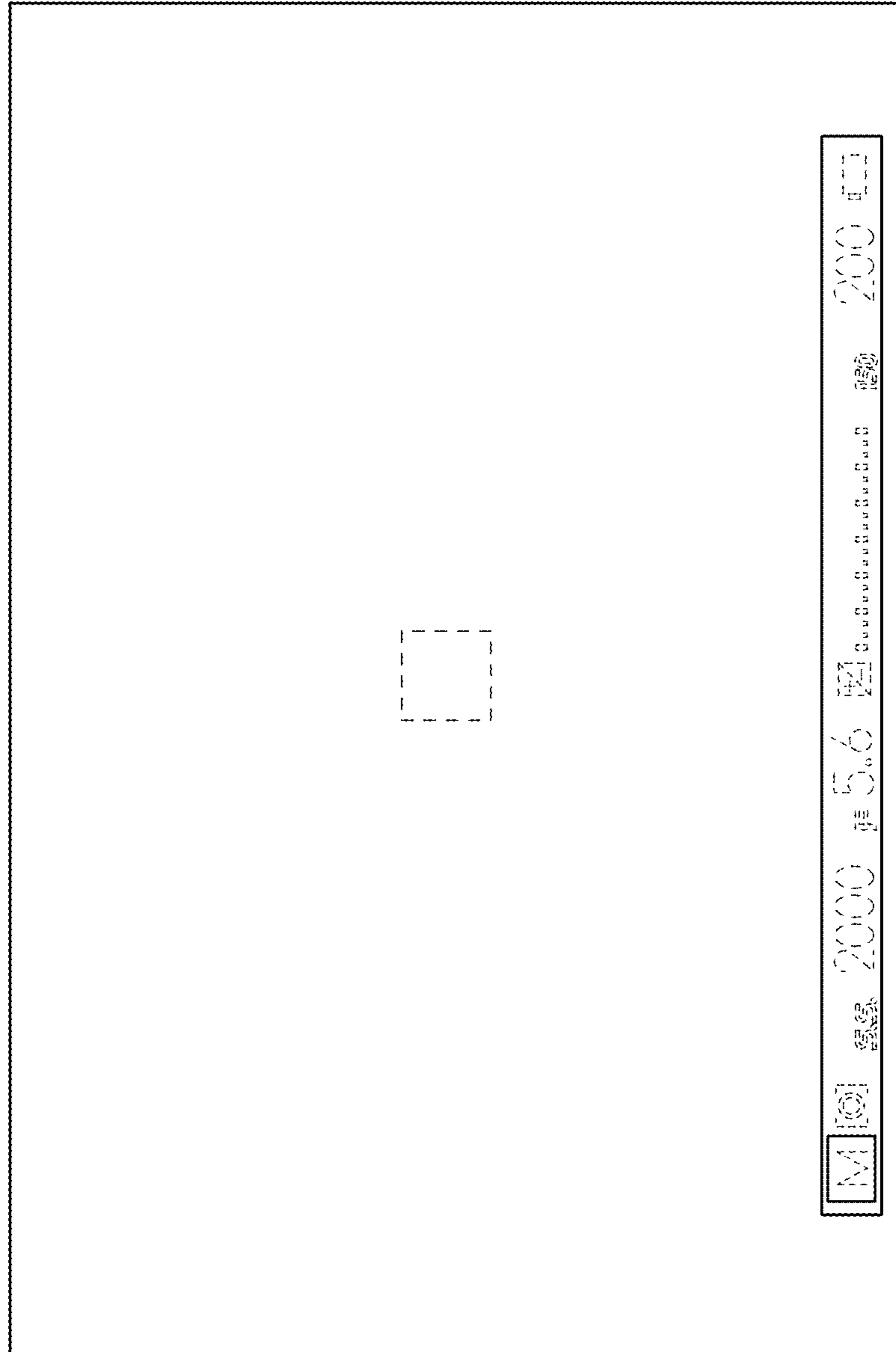


FIG. 9

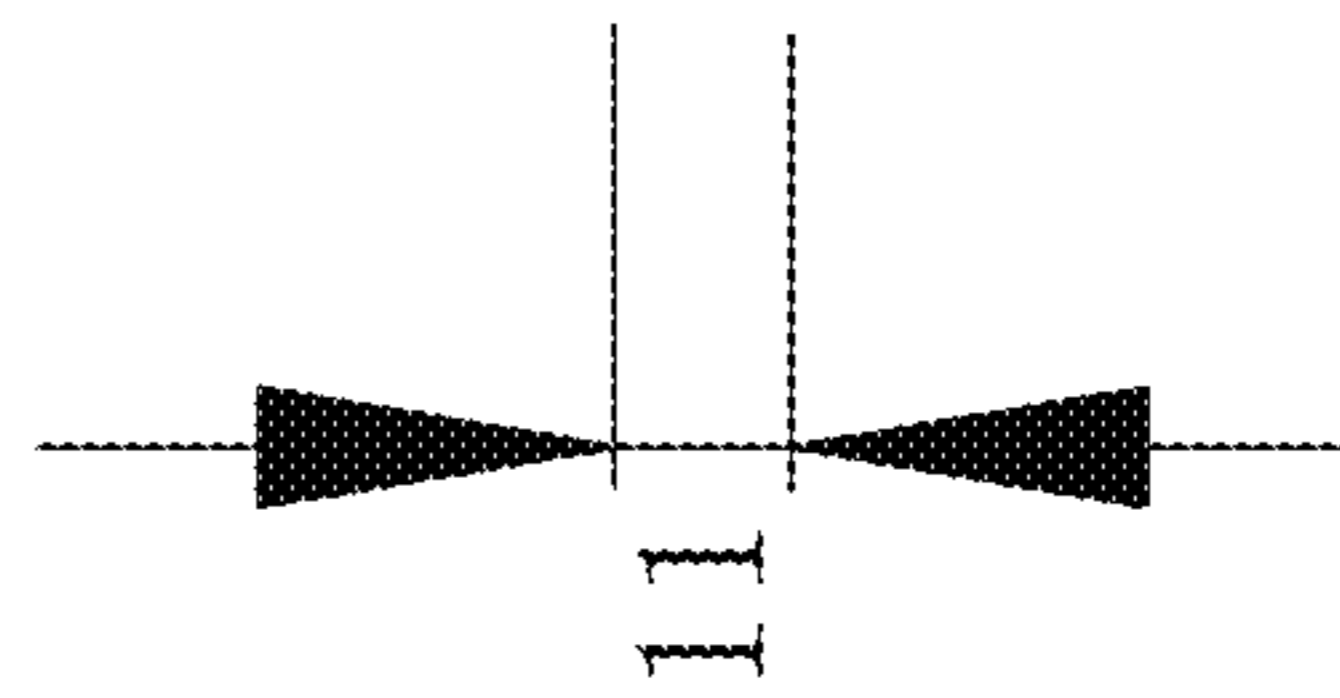
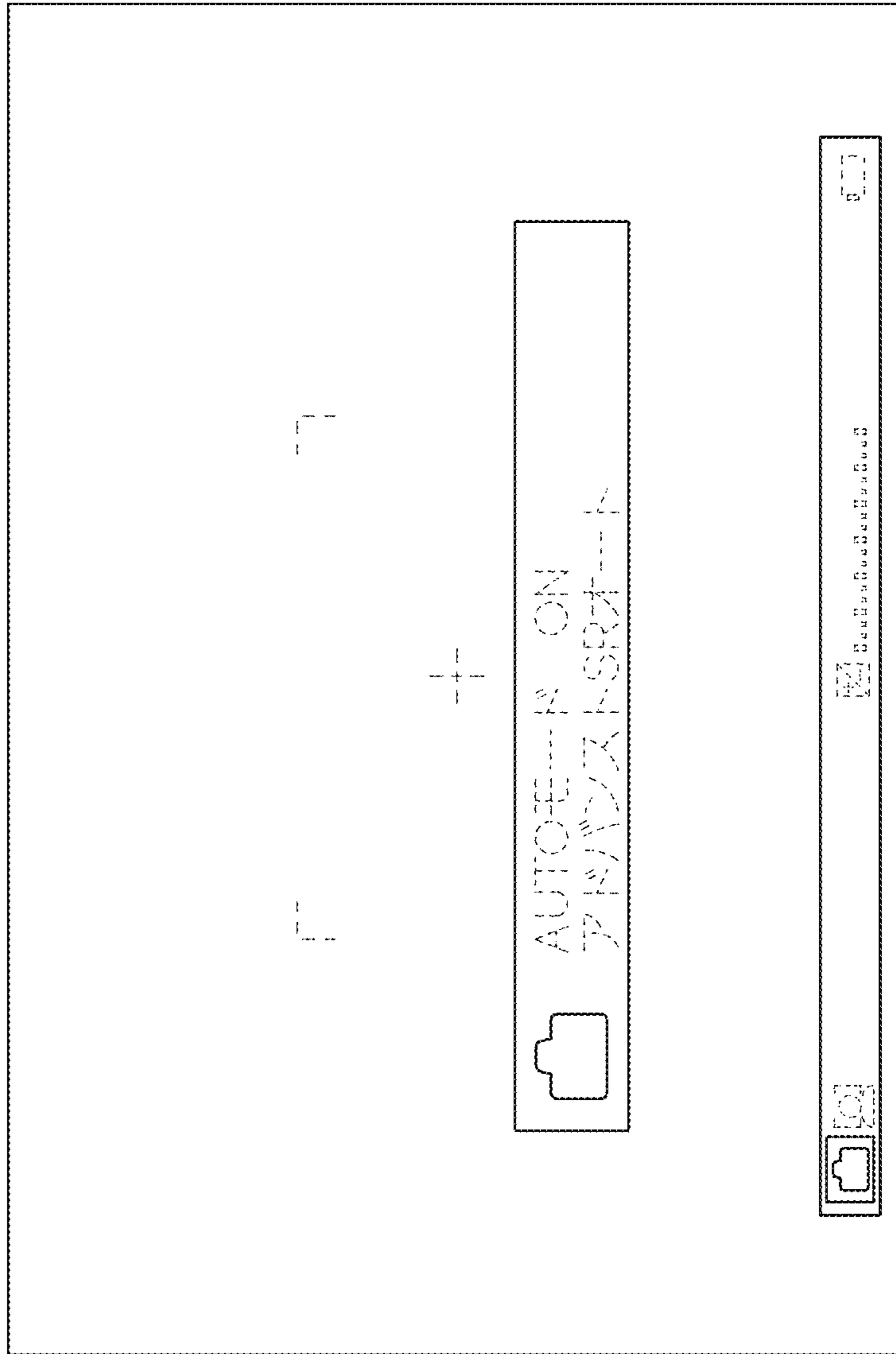


FIG. 10

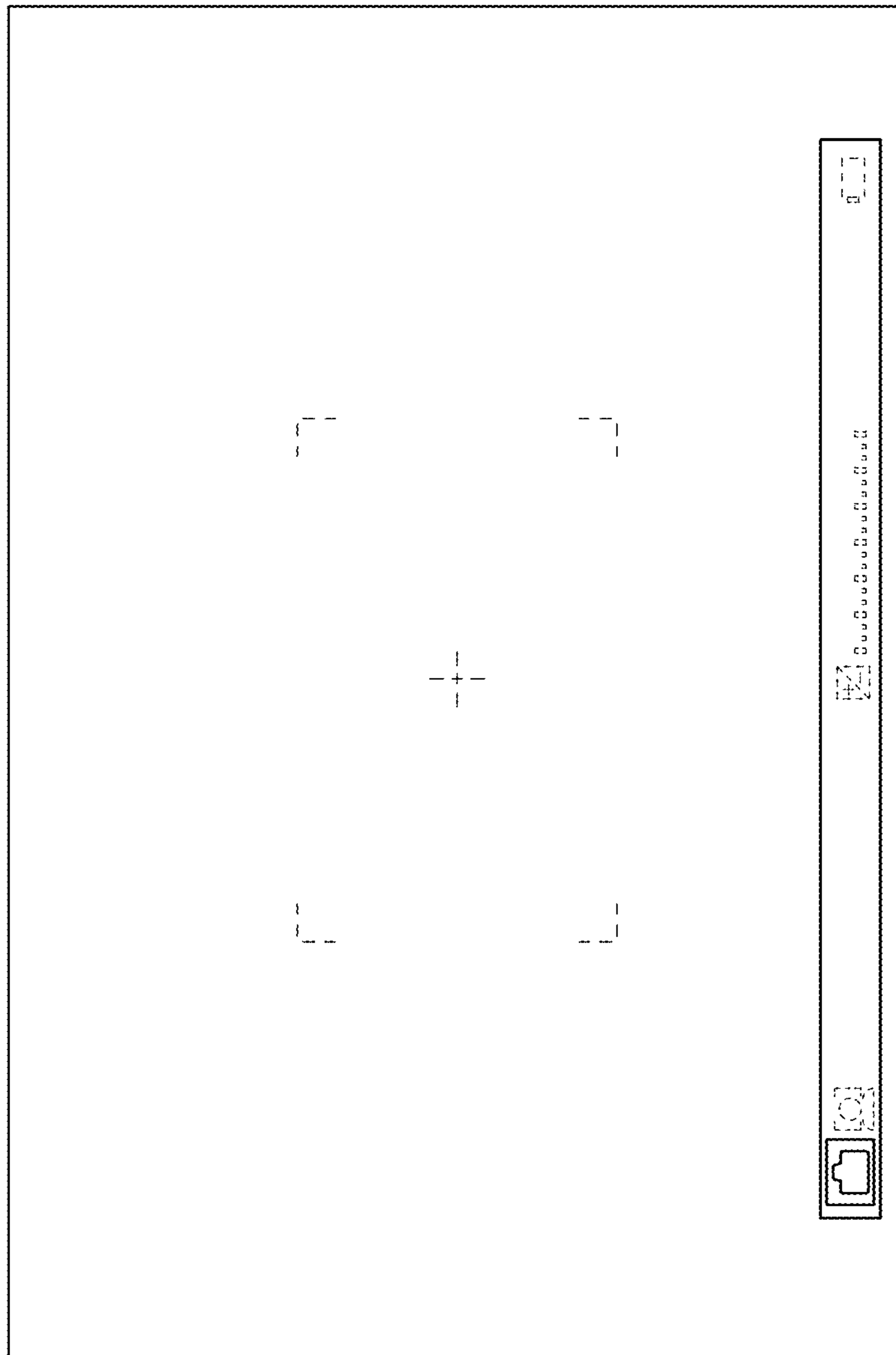


FIG. 11

