

US00D797789S

(12) **United States Design Patent** (10) **Patent No.:** **US D797,789 S**
Havranek, Jr. (45) **Date of Patent:** **** Sep. 19, 2017**

(54) **DISPLAY SCREEN WITH SET OF GRAPHICAL USER INTERFACE ICONS**

(71) Applicant: **TeleTracking Technologies, Inc.**,
Pittsburgh, PA (US)

(72) Inventor: **Thomas F. Havranek, Jr.**, Baden, PA
(US)

(73) Assignee: **TeleTracking Technologies, Inc.**,
Pittsburgh, PA (US)

(**) Term: **15 Years**

(21) Appl. No.: **29/558,841**

(22) Filed: **Mar. 22, 2016**

(51) **LOC (10) Cl.** **14-04**

(52) **U.S. Cl.**
USPC **D14/488**; D14/492; D14/495

(58) **Field of Classification Search**
USPC 725/2; 340/286.07; D14/485–495
CPC G06F 3/0482; G06F 3/04842; G06F
2203/04807; G06F 19/3418; G06F
19/327; G06F 19/3406; H04M 1/2477;
G06Q 50/22; G06Q 50/24
See application file for complete search history.

(56) **References Cited**

U.S. PATENT DOCUMENTS

D424,545 S *	5/2000	Moody	D14/489
7,263,669 B2 *	8/2007	Denholm	G06F 3/0219
				340/286.07
D561,197 S *	2/2008	Okaro	D14/495
D573,157 S *	7/2008	Guimaraes	D14/495
D574,012 S *	7/2008	Guimaraes	D14/495
D633,526 S *	3/2011	Trabona	D14/495
D642,586 S *	8/2011	Jones	D14/485
D644,660 S *	9/2011	Marashi	D14/488
D677,279 S *	3/2013	Phelan	D14/495

(Continued)

OTHER PUBLICATIONS

Halstead, Simon, TeleTracking Overview Booklet, Dec. 4, 2015, slideshare.net [online], [site visited May 5, 2017]. Available from Internet: <https://www.slideshare.net/SimonHalstead/teletracking-overview-booklet>.*

(Continued)

Primary Examiner — Deanna L Pratt

Assistant Examiner — Katherine Holbrow

(74) *Attorney, Agent, or Firm* — Finnegan, Henderson, Farabow, Garrett & Dunner LLP

(57) **CLAIM**

The ornamental design for a display screen with set of graphical user interface icons, as shown and described.

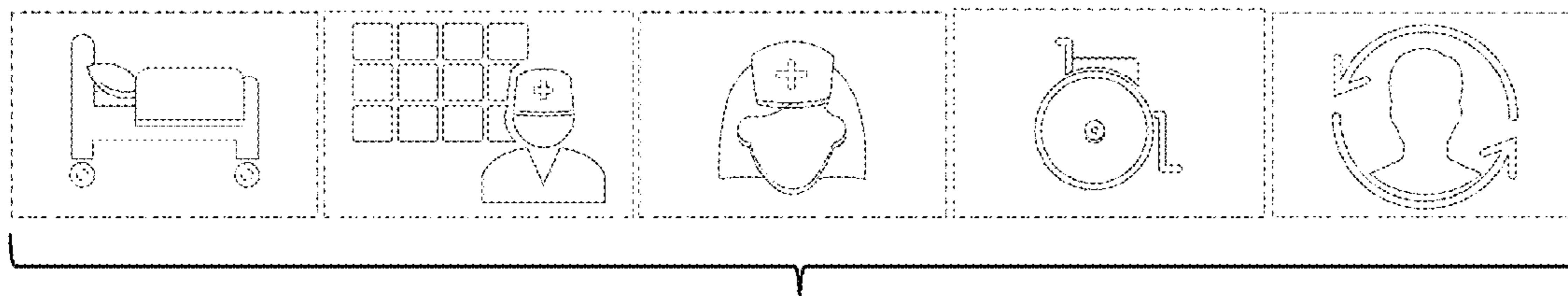
DESCRIPTION

FIG. 1 is a front view of a display screen with set of graphical user interface icons, showing the new design; FIG. 2 is a front view of a display screen with set of graphical user interface icons, showing the new design, in an alternate configuration; FIG. 3 is a front view of an icon from the set of graphical user interface icons, shown in isolation; FIG. 4 is a front view of a second icon from the set of graphical user interface icons, shown in isolation; FIG. 5 is a front view of a third icon from the set of graphical user interface icons, shown in isolation. FIG. 6 is a front view of a fourth icon from the set of graphical user interface icons, shown in isolation; and, FIG. 7 is a front view of a fifth icon from the set of graphical user interface icons, shown in isolation.

The claim is directed to the collective appearance of the set of icons shown in FIG. 1 or 2, but no claim is made to the arrangement or order of the set of graphical user interface icons on the display screen.

The broken lines show the display screen, and form no part of the claimed design.

1 Claim, 7 Drawing Sheets



(56)

References Cited

U.S. PATENT DOCUMENTS

D682,854 S * 5/2013 Kanalakakis, Jr. D14/486
 D683,366 S * 5/2013 Gardner D14/495
 D701,879 S * 4/2014 Foit D14/488
 D705,264 S * 5/2014 Gerssen D14/493
 D708,227 S * 7/2014 Lee D14/493
 D717,339 S * 11/2014 Wen D14/495
 D725,151 S * 3/2015 Bray D14/495
 D730,941 S * 6/2015 Marianek D14/495
 D731,552 S * 6/2015 Seo D14/495
 D733,164 S * 6/2015 Park D14/485
 D737,849 S * 9/2015 Tursi D14/488
 D754,748 S * 4/2016 Jeong D14/495
 D761,320 S * 7/2016 Kim D14/495
 D771,709 S * 11/2016 Jung D14/495
 D785,045 S * 4/2017 Coffinan D14/492
 2003/0093300 A1 * 5/2003 Denholm G06F 3/0219
 705/2
 2003/0174177 A1 * 9/2003 Tsukuda B41J 3/4075
 715/810
 2011/0208541 A1 * 8/2011 Wilson A61G 7/018
 705/3
 2012/0089419 A1 * 4/2012 Huster A61B 5/1115
 705/3

2013/0325503 A1 * 12/2013 Abrahams G06Q 50/22
 705/3
 2014/0278524 A1 * 9/2014 Vaglio G06Q 50/24
 705/3
 2015/0277703 A1 * 10/2015 Davis G06F 19/3406
 705/2

OTHER PUBLICATIONS

Icons Mind, Signs and Symbols, Aug. 19, 2014, iconfinder.com [online], [site visited May 8, 2017]. Available from Internet: <https://www.iconfinder.com/iconsets/signs-symbols>.*

Park, Jisun, Doctor, Iconset Occupations Outlines, Nov. 29, 2015, iconfinder.com [online], [site visited May 5, 2017]. Available from Internet: <https://www.iconfinder.com/iconsets/occupations-outlines>.*

Icons8, Users Nurse Icon, Jul. 23, 2014, iconarchive.com [online], [site visited May 5, 2017]. Available from Internet: <http://www.iconarchive.com/show/ios7-icons-by-icons8/Users-Nurse-icon.html>.*

Icons8, Users Lifecycle Icon, Jul. 23, 2014, iconarchive.com.pdf [online], [site visited May 5, 2017]. Available from Internet: <http://www.iconarchive.com/show/ios7-icons-by-icons8.33.html>.*

* cited by examiner

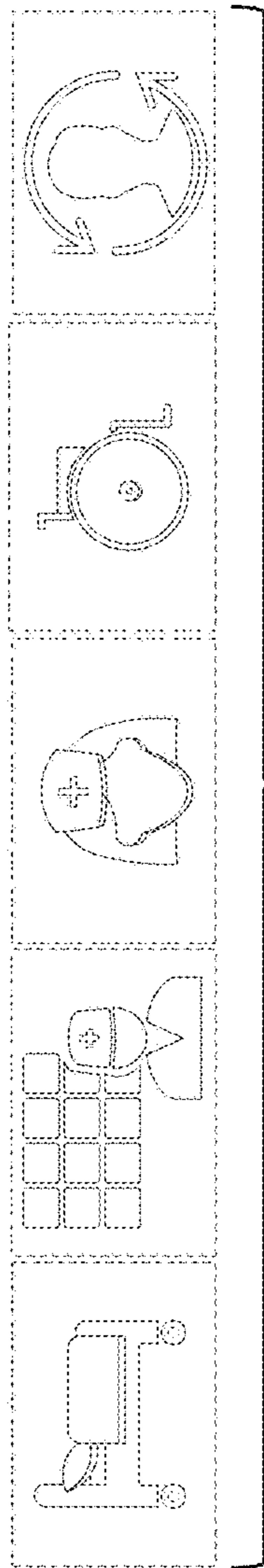


FIG. 1

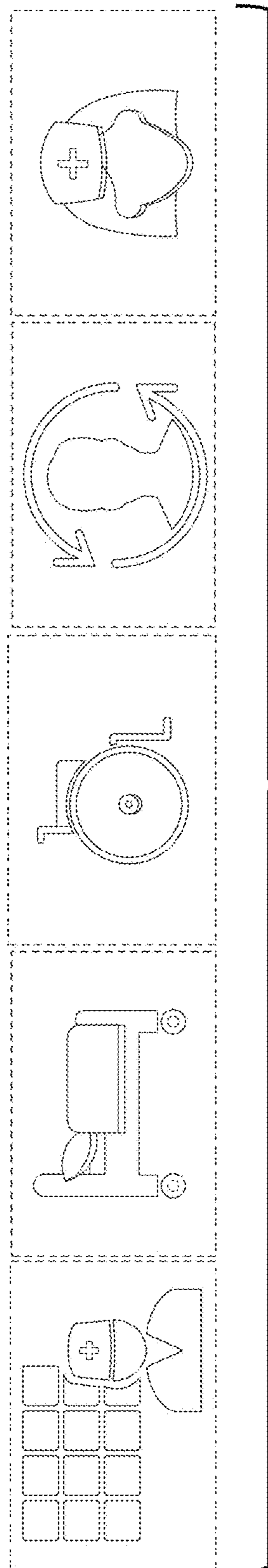


FIG. 2

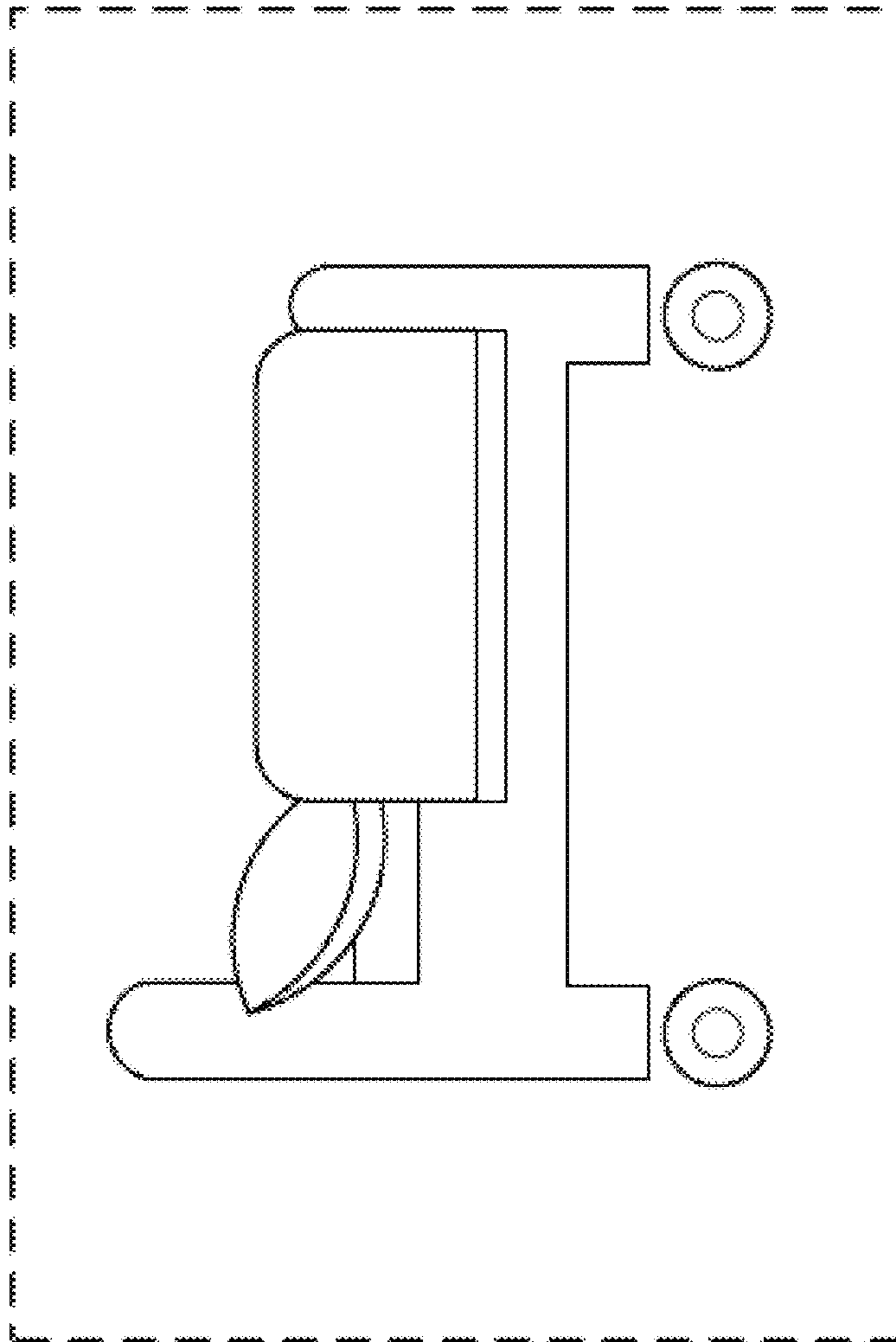


FIG. 3

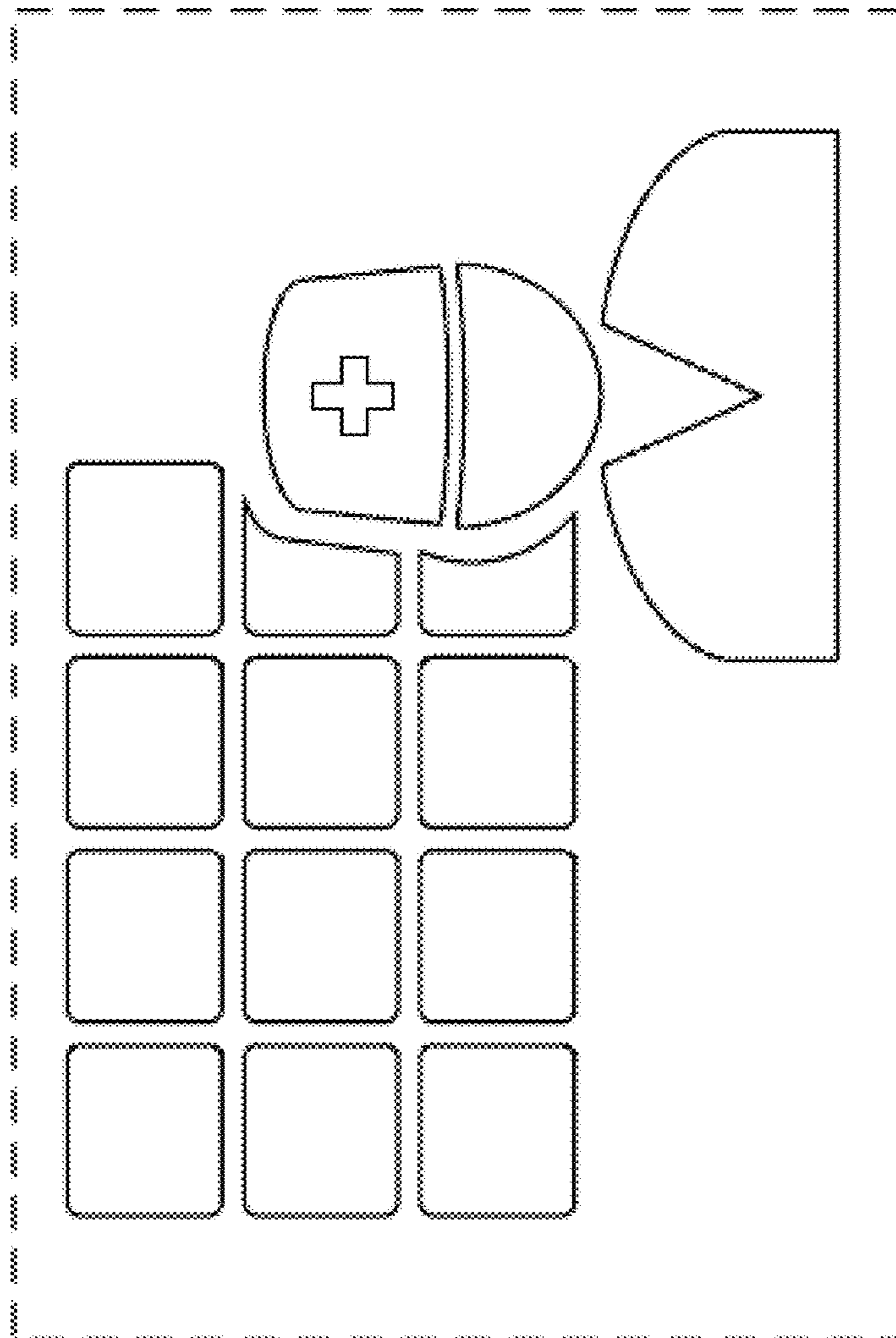


FIG. 4

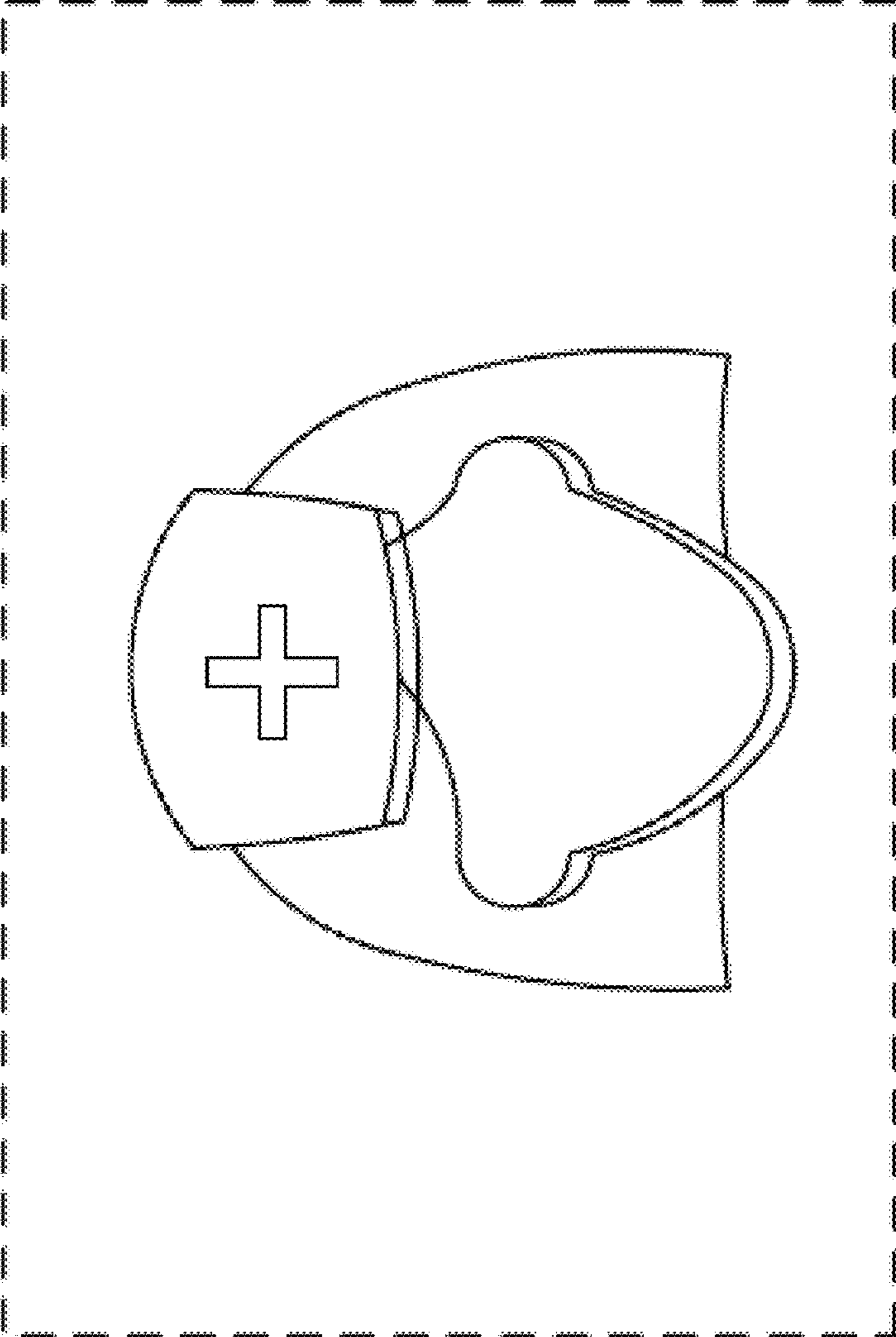


FIG. 5

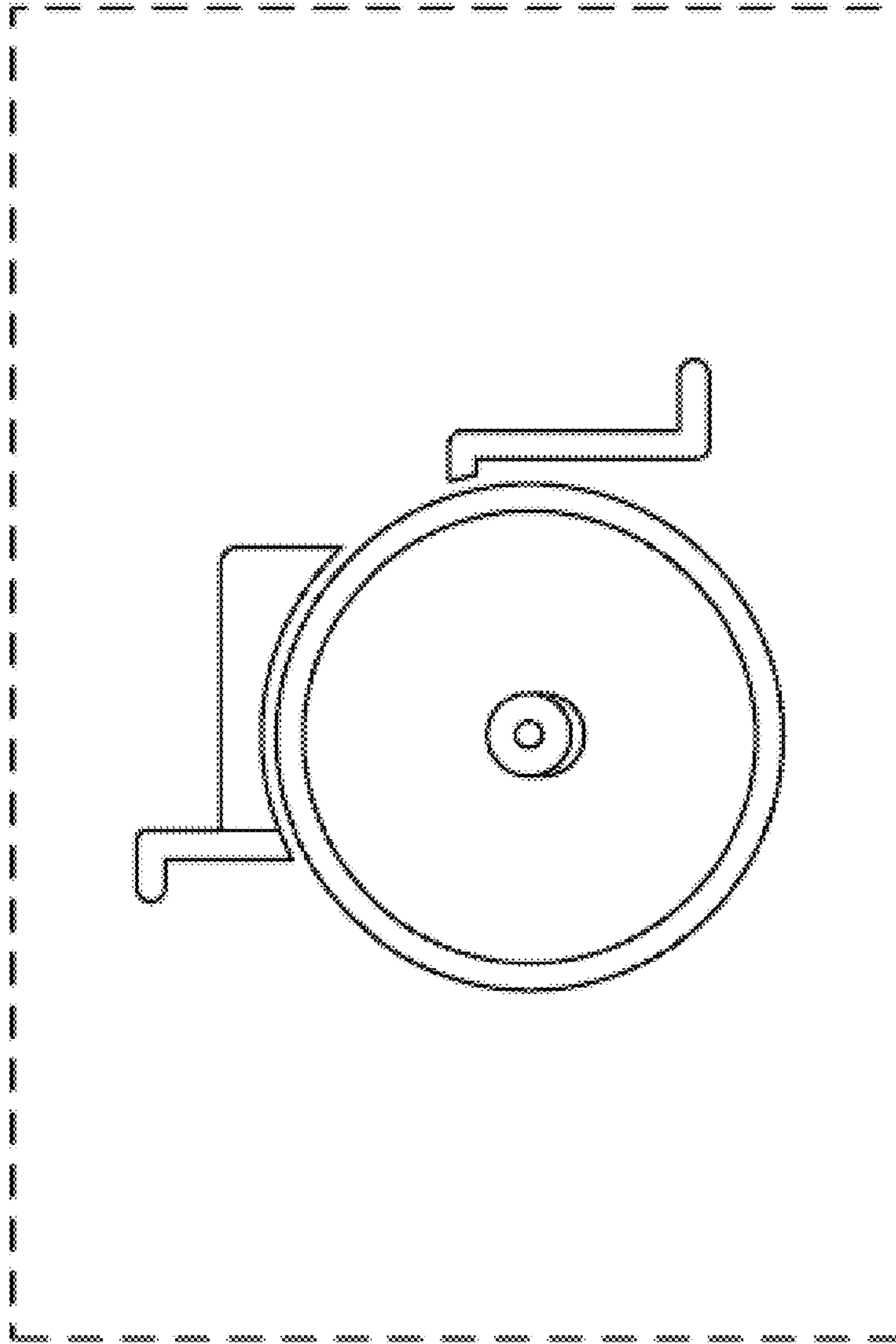


FIG. 6

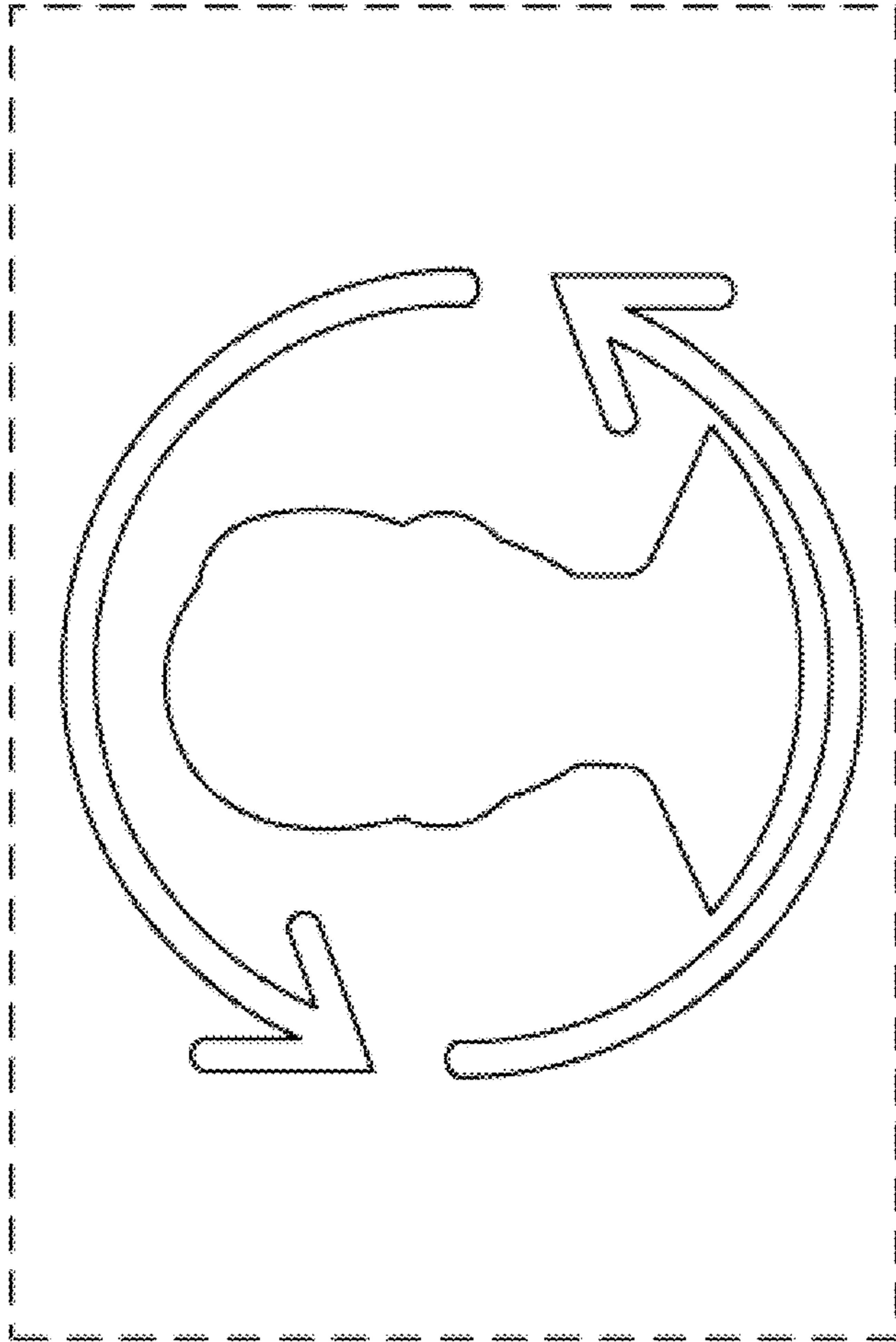


FIG. 7