



US00D797767S

(12) **United States Design Patent** (10) **Patent No.:** **US D797,767 S**
Esselstrom et al. (45) **Date of Patent:** **** Sep. 19, 2017**

(54) **DISPLAY SYSTEM WITH A VIRTUAL THREE-DIMENSIONAL GRAPHICAL USER INTERFACE**

(71) Applicant: **Microsoft Corporation**, Redmond, WA (US)

(72) Inventors: **Tyler Paul Esselstrom**, Seattle, WA (US); **Joseph Wheeler**, Sammamish, WA (US); **Giancarlo Lari**, Seattle, WA (US); **Nando Costa**, Yarrow Point, WA (US); **Anthony J. Giardini**, Seattle, WA (US); **Craig R. Maitlen**, Woodinville, WA (US)

(73) Assignee: **Microsoft Corporation**, Redmond, WA (US)

(**) Term: **15 Years**

(21) Appl. No.: **29/599,257**

(22) Filed: **Mar. 31, 2017**

(51) **LOC (10) Cl.** **14-04**

(52) **U.S. Cl.**
USPC **D14/485**

(58) **Field of Classification Search**
USPC D14/485-495; D18/26, 31, 32, 33; D21/11, 12, 23, 24, 25, 29, 30, 31, 32, D21/36, 37, 38
CPC G06F 3/048; G06F 3/0481; G06F 3/0482; G06F 3/04817; G06F 3/04812; H04N 1/00424; H04N 1/2477
See application file for complete search history.

(56) **References Cited**

U.S. PATENT DOCUMENTS

- 6,198,483 B1 * 3/2001 Launais G06F 3/0481 715/781
- 6,922,815 B2 * 7/2005 Rosen G06F 17/30873 707/E17.111

- D635,986 S 4/2011 Mays et al.
- D681,044 S 4/2013 Sakata
- D689,873 S * 9/2013 Brinda D14/485
- D695,755 S * 12/2013 Hwang D14/485
- D697,079 S * 1/2014 Yuk D14/488
- D719,183 S 12/2014 Kuwahara
- D745,036 S 12/2015 Joynes
- D745,048 S 12/2015 Anderson et al.
- D747,328 S * 1/2016 Erickson D14/485
- D748,650 S * 2/2016 Moon D14/486
- D748,652 S 2/2016 Moon et al.
- D748,653 S * 2/2016 Moon D14/486
- D748,654 S * 2/2016 Moon D14/486
- D748,656 S * 2/2016 Moon D14/486
- D749,099 S * 2/2016 Moon D14/486

(Continued)

Primary Examiner — Darlington Ly
(74) *Attorney, Agent, or Firm* — Banner & Witcoff, Ltd.

(57) **CLAIM**

The ornamental design for a display system with a virtual three-dimensional graphical user interface, as shown and described.

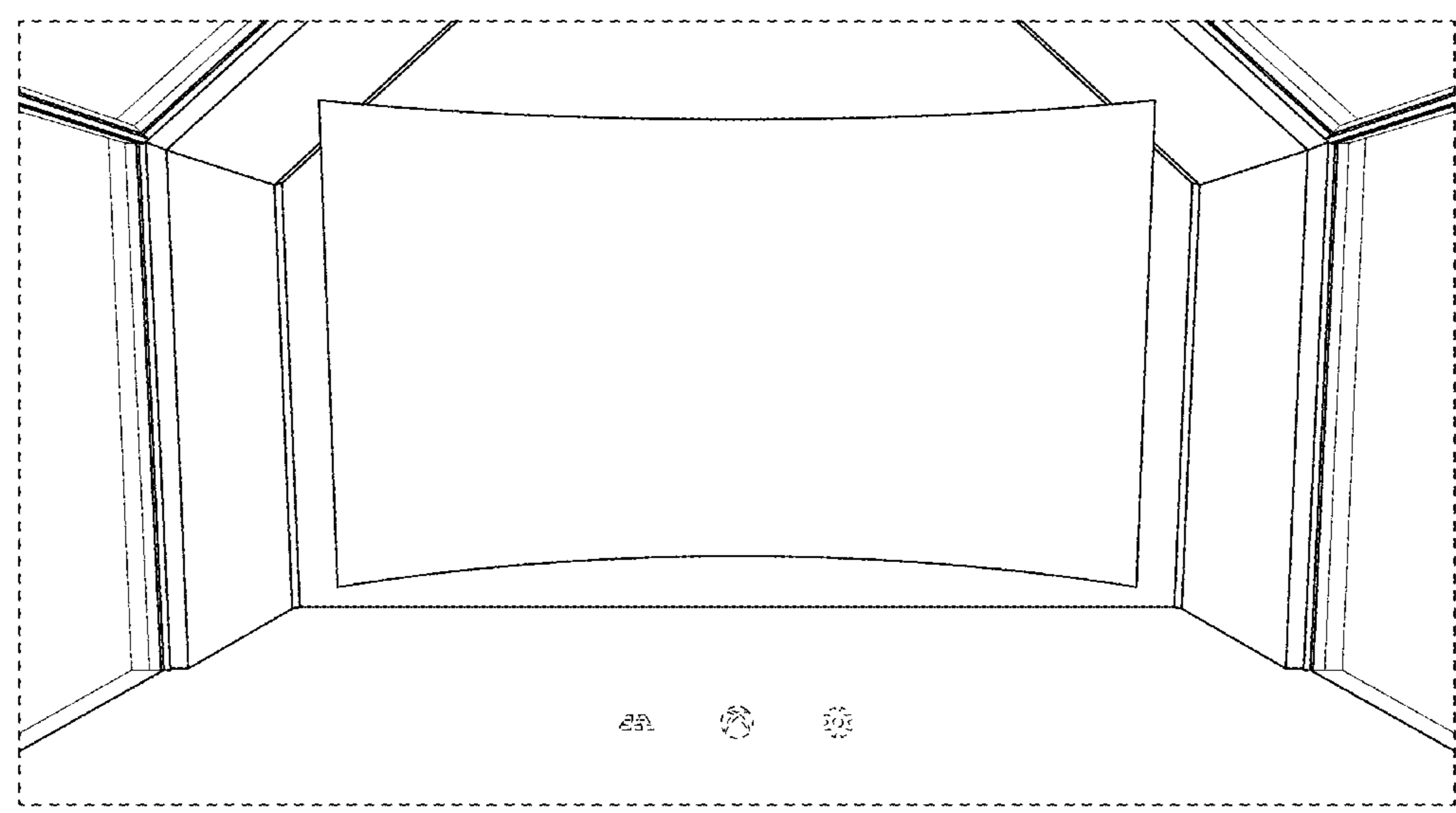
DESCRIPTION

FIG. 1 shows a display system with a virtual three-dimensional graphical user interface shown in a first orientation; FIG. 2 shows a second orientation thereof; FIG. 3 shows a third orientation thereof; FIG. 4 shows a fourth orientation thereof; and, FIG. 5 shows a fifth orientation thereof.

The outermost broken line shows the field of view for the visual display and forms no part of the claimed design. The broken line showing the three icons in FIGS. 2-4 illustrate portions of the graphical user interface that do not form part of the claimed design.

The graphical user interface in FIGS. 1-5 is shown in various orientations to provide an understanding of the three-dimensional appearance of the design.

1 Claim, 5 Drawing Sheets



(56)

References Cited

U.S. PATENT DOCUMENTS

D749,100 S *	2/2016	Moon	D14/486	D766,329 S	9/2016	Lee et al.	
D749,102 S *	2/2016	Moon	D14/486	D768,163 S *	10/2016	Holl D14/486
D749,607 S	2/2016	Moon et al.			D771,071 S *	11/2016	Rosenthal D14/485
D751,092 S *	3/2016	Moon	D14/486	D775,174 S	12/2016	Chen et al.	
D751,093 S *	3/2016	Moon	D14/486	D775,175 S	12/2016	Chen et al.	
D751,094 S	3/2016	Moon et al.			D777,734 S *	1/2017	Hsu D14/485
D751,095 S *	3/2016	Moon	D14/486	D785,642 S *	5/2017	Woo D14/485
D751,096 S *	3/2016	Moon	D14/486	D786,289 S *	5/2017	Kim D14/486
D752,636 S	3/2016	Yoon et al.			2004/0066411 A1 *	4/2004	Fung G06F 3/0481
D754,153 S *	4/2016	Moon	D14/485				715/781
D754,155 S *	4/2016	Moon	D14/485	2009/0083627 A1 *	3/2009	Onda G06F 17/30861
D754,156 S *	4/2016	Moon	D14/485				715/708
D754,157 S *	4/2016	Moon	D14/485	2010/0180227 A1 *	7/2010	Diallo G06F 3/0481
D754,158 S *	4/2016	Moon	D14/485				715/782
D755,203 S *	5/2016	Johnson	D14/485	2014/0337749 A1 *	11/2014	Phang G06F 3/04815
D760,265 S	6/2016	Yao et al.						715/740
D761,284 S *	7/2016	Nguyen	D14/486	2014/0337773 A1 *	11/2014	Phang G06F 3/04815
D761,816 S *	7/2016	Kobetz	D14/485				715/767
D763,899 S	8/2016	Lee			2015/0085058 A1 *	3/2015	Zhang H04N 7/142
								348/14.02

* cited by examiner

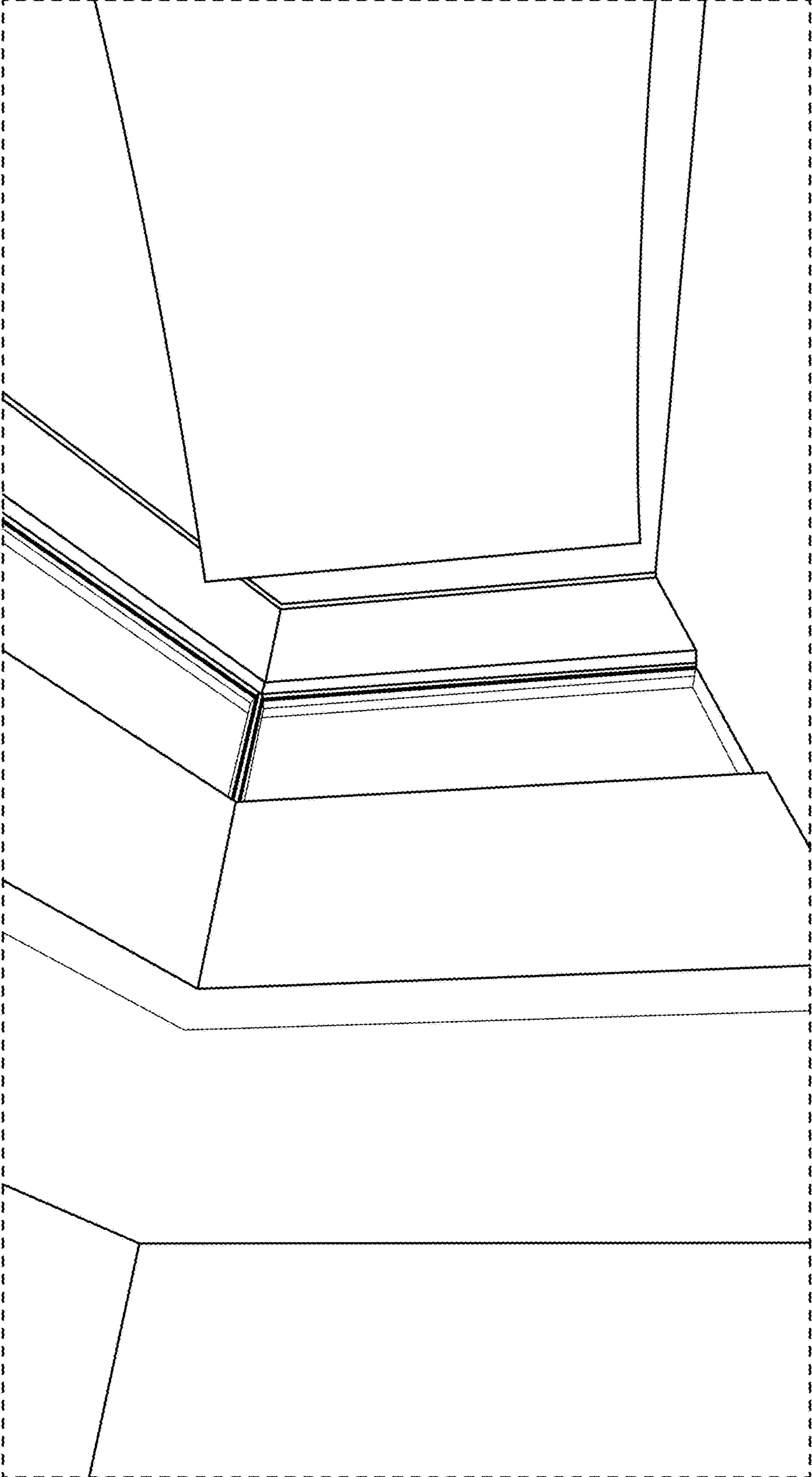


FIG. 1

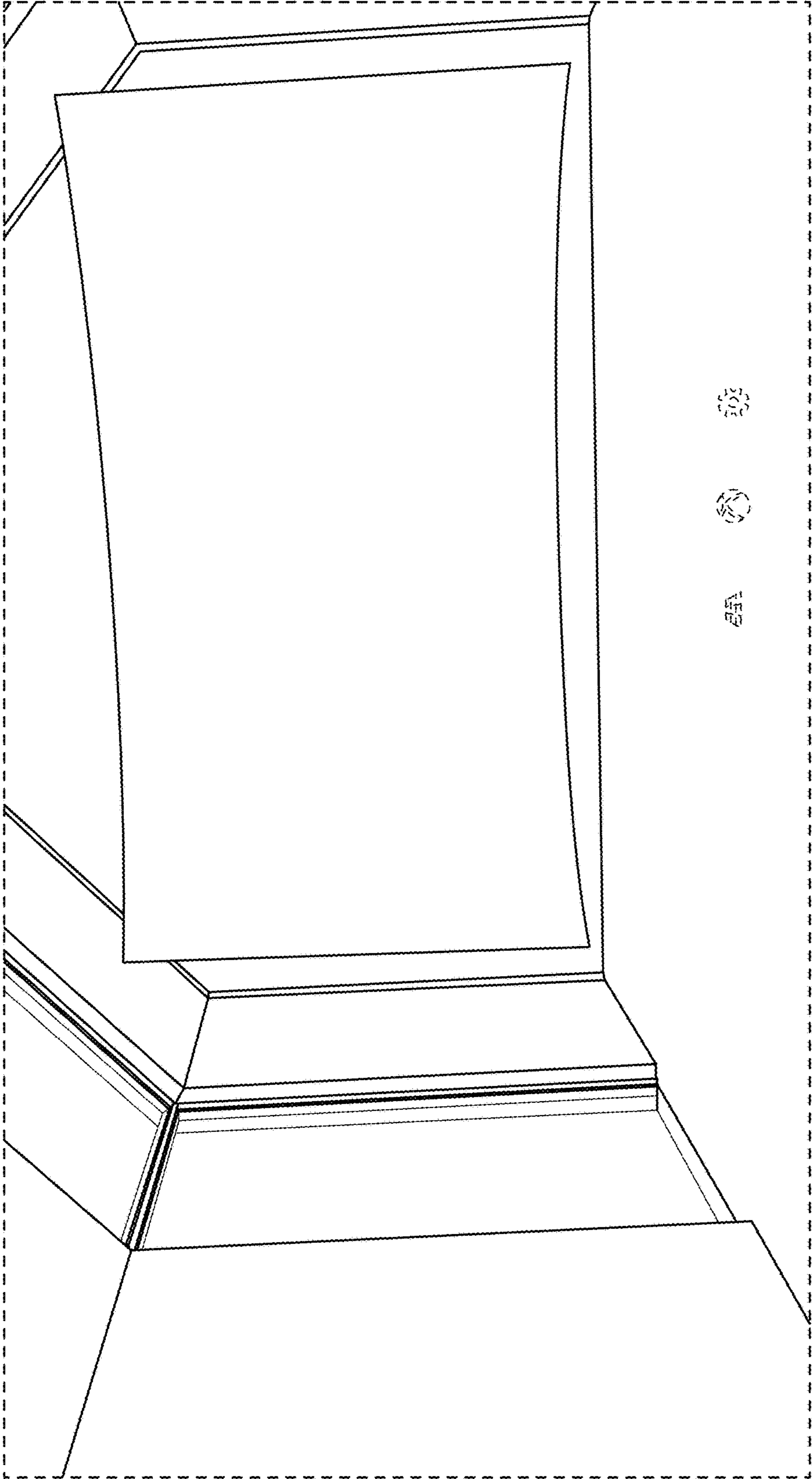


FIG. 2

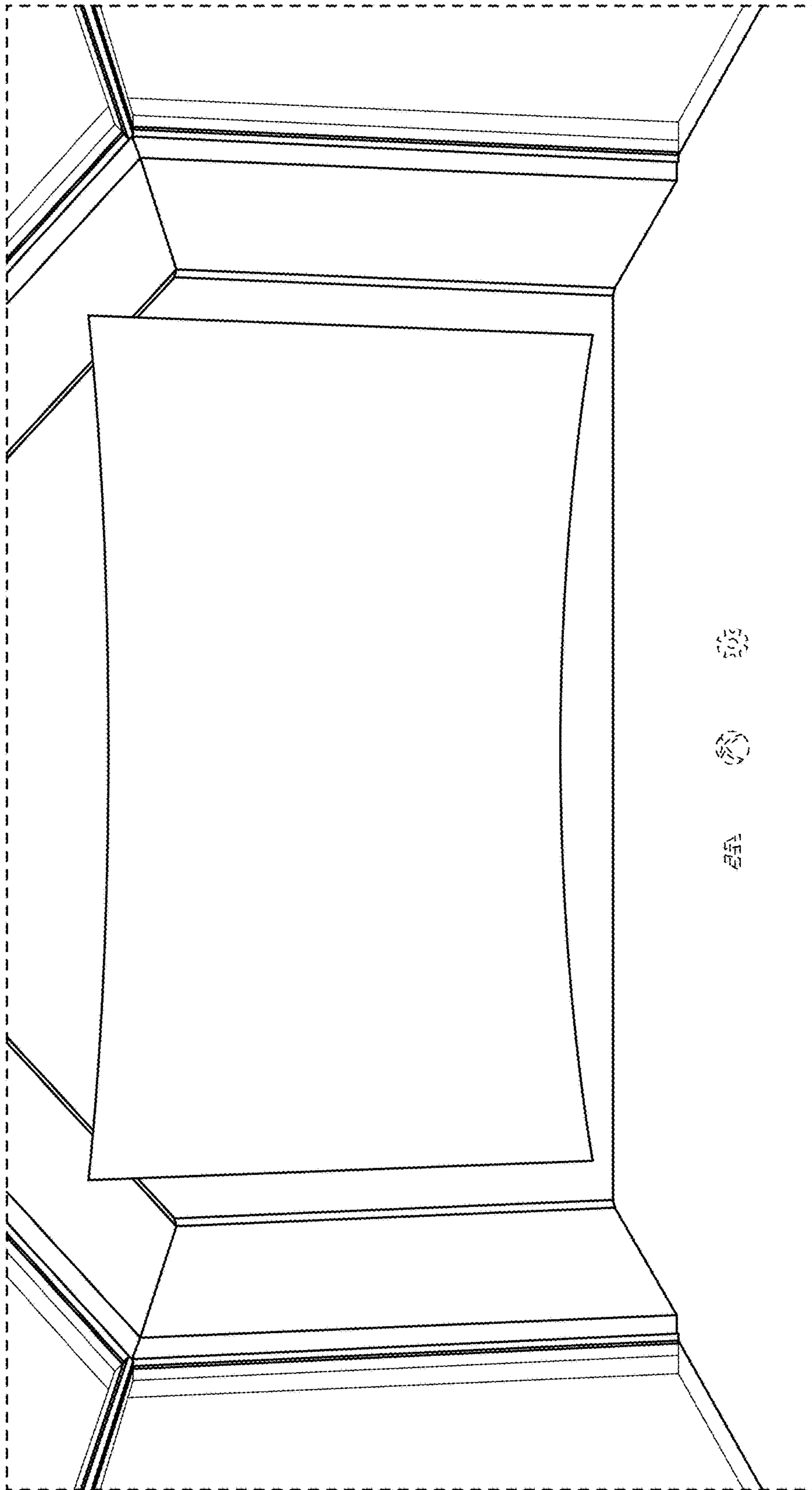


FIG. 3

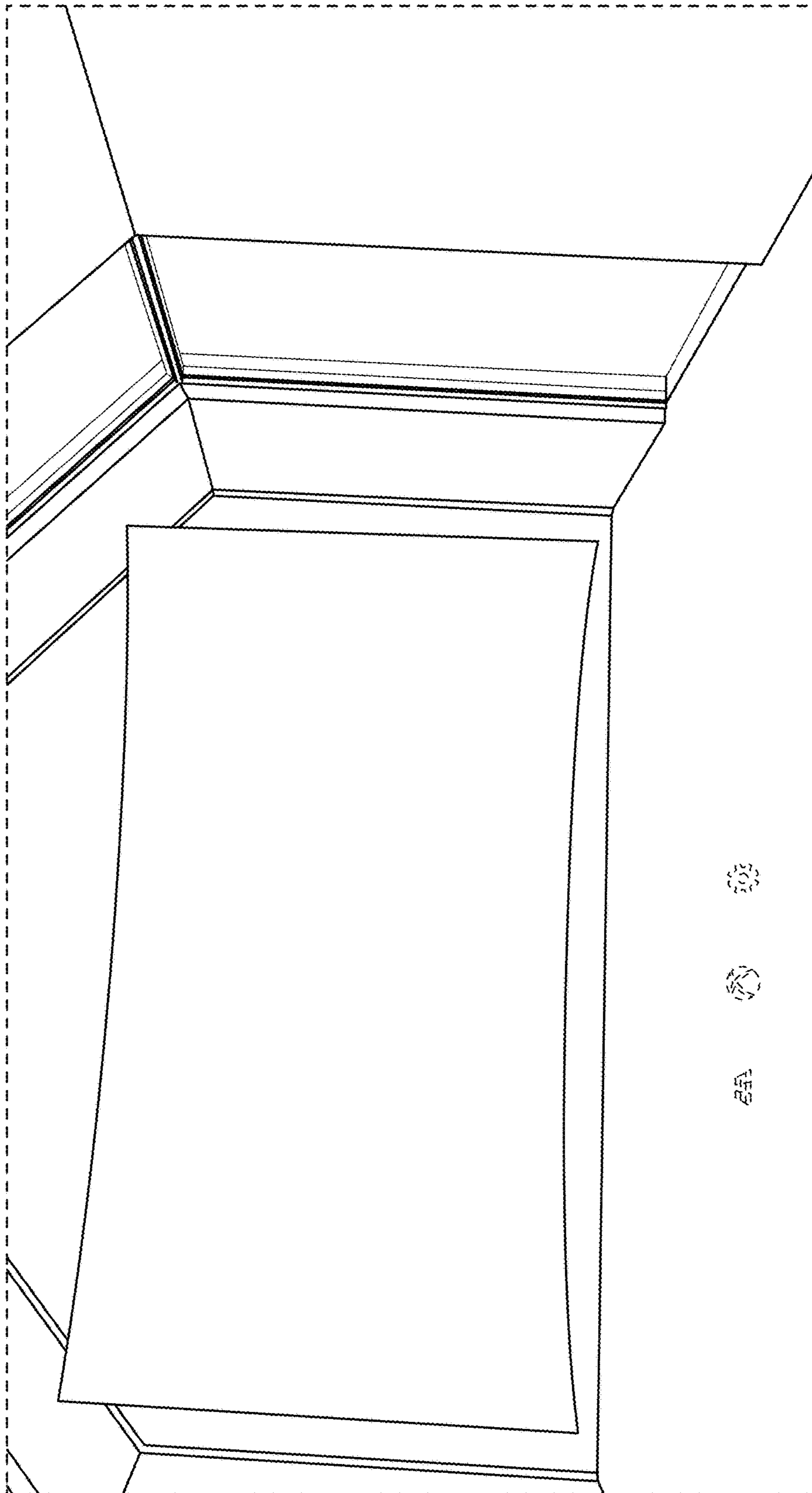


FIG. 4

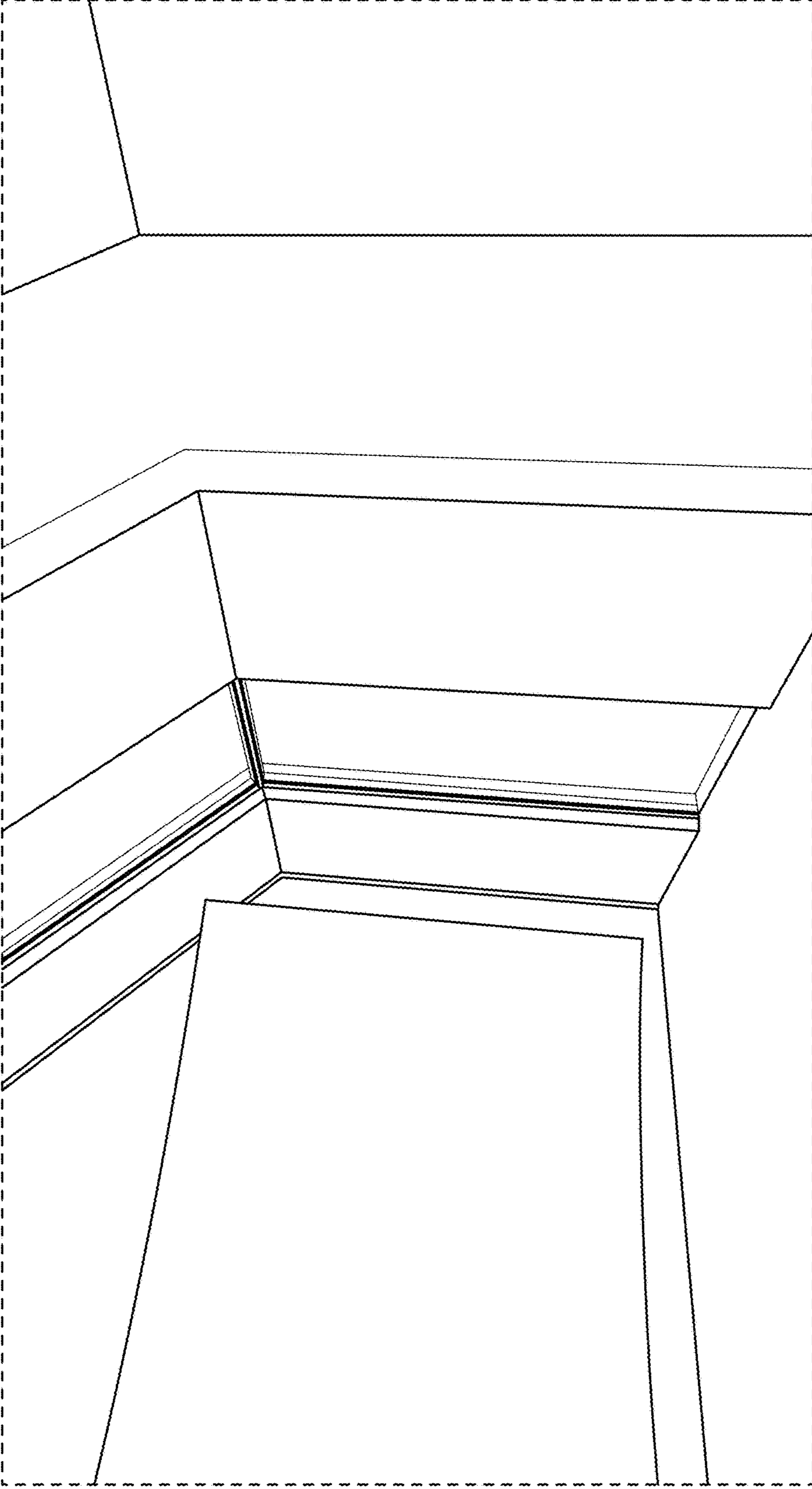


FIG. 5