



US00D797756S

(12) **United States Design Patent** (10) **Patent No.:** **US D797,756 S**  
**Meyer et al.** (45) **Date of Patent:** **\*\* Sep. 19, 2017**

(54) **DISPLAY PANEL WITH A CHANGEABLE GRAPHICAL USER INTERFACE FOR AN ELECTRONIC PERSONAL TRAINING DEVICE**

(71) Applicant: **TomTom Telematics B.V.**, Amsterdam (NL)

(72) Inventors: **Ulf Meyer**, Leipzig (DE); **Oliver Endemann**, Kassel (DE); **Oliver Gerstheimer**, Kassel (DE); **Falk Möckel**, Leipzig (DE); **Bodo Pfeifer**, Leipzig (DE)

(73) Assignee: **TomTom International B.V.**, Amsterdam (NL)

(\*\*) Term: **15 Years**

(21) Appl. No.: **29/531,310**

(22) Filed: **Jun. 24, 2015**

(51) **LOC (10) Cl.** ..... **14-04**

(52) **U.S. Cl.**  
USPC ..... **D14/485**; D14/492

(58) **Field of Classification Search**  
USPC ..... D14/485-495; D10/126; 702/127, 141, 702/142

CPC .. G06F 3/0487; G06F 3/0484; G06F 3/04886; G06F 3/0482; G06F 3/044; G06F 15/0266; G06F 17/30

See application file for complete search history.

(56) **References Cited**

**U.S. PATENT DOCUMENTS**

- 5,392,388 A \* 2/1995 Gibson ..... G06F 3/04845 345/684
- D493,471 S \* 7/2004 McIntosh ..... D14/485
- D496,940 S \* 10/2004 Fetterman ..... D14/485
- D507,002 S \* 7/2005 Retuta ..... D14/486
- D544,495 S \* 6/2007 Evans ..... D14/488

- 7,692,635 B2 \* 4/2010 Iwamura ..... G06F 3/0362 345/169
- D625,328 S \* 10/2010 Fitzmaurice ..... D14/489
- D630,642 S \* 1/2011 Berg ..... D14/486
- D664,205 S \* 7/2012 Xu ..... D20/23
- D669,497 S \* 10/2012 Lee ..... D14/489
- D669,499 S \* 10/2012 Gardner ..... D14/495
- D682,882 S \* 5/2013 Cahill ..... D14/490
- D687,460 S \* 8/2013 Tyler ..... D14/489
- D690,720 S \* 10/2013 Waldman ..... D14/485

(Continued)

**OTHER PUBLICATIONS**

TomTom Curfer App | posted at telematicsnews.info Jun. 25, 2015  
Copyright Telematics News[online]. Available from Internet:  
<[http://telematicsnews.info/2015/06/25/tomtom-combines-obd-dongle-and-smartphone-for-driving-app\\_j6253/](http://telematicsnews.info/2015/06/25/tomtom-combines-obd-dongle-and-smartphone-for-driving-app_j6253/)>.\*

(Continued)

*Primary Examiner* — Sandra Snapp  
*Assistant Examiner* — Katherine Glennon

(57) **CLAIM**

The ornamental design for a display panel with a changeable graphical user interface for an electronic personal training device, as shown and described.

**DESCRIPTION**

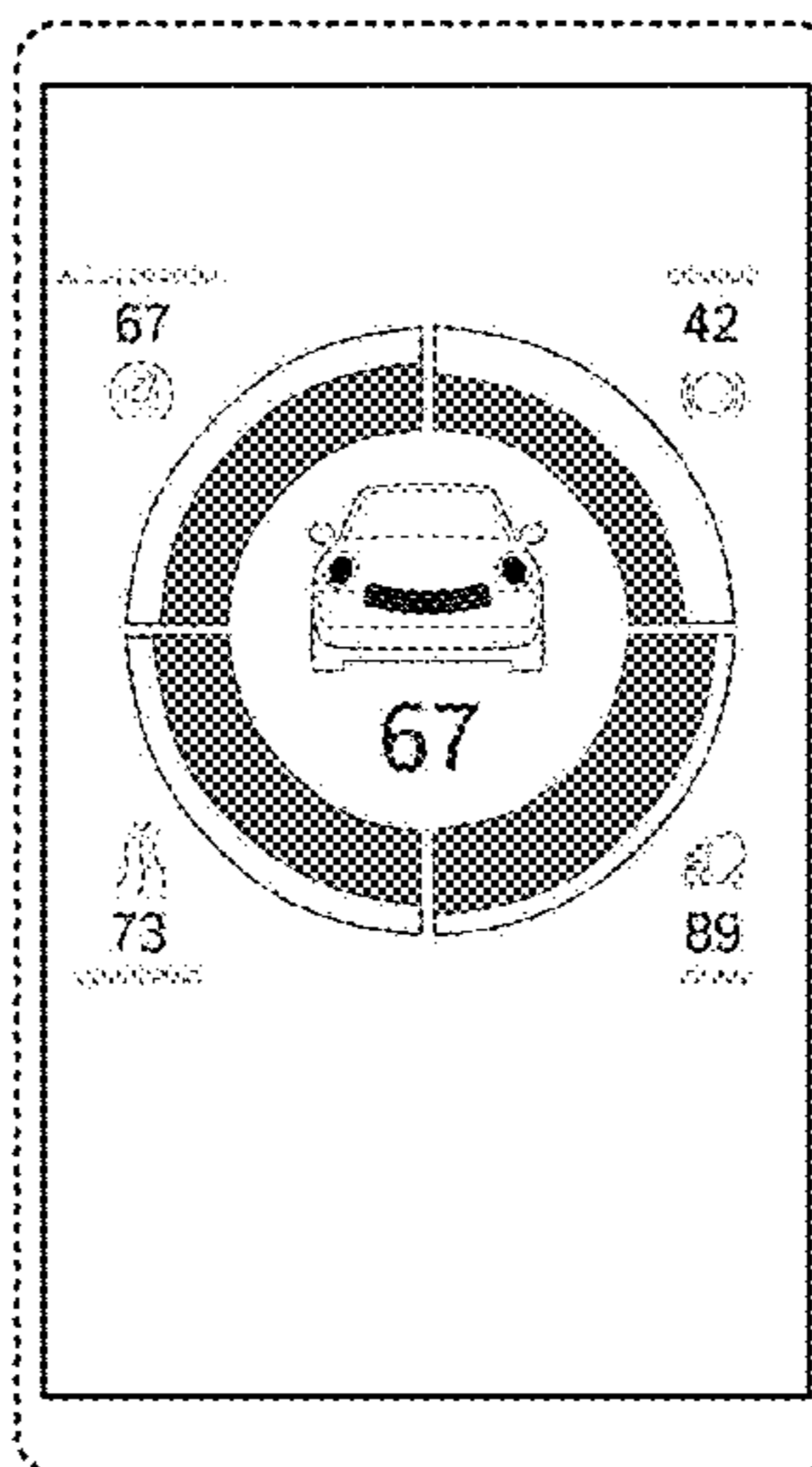
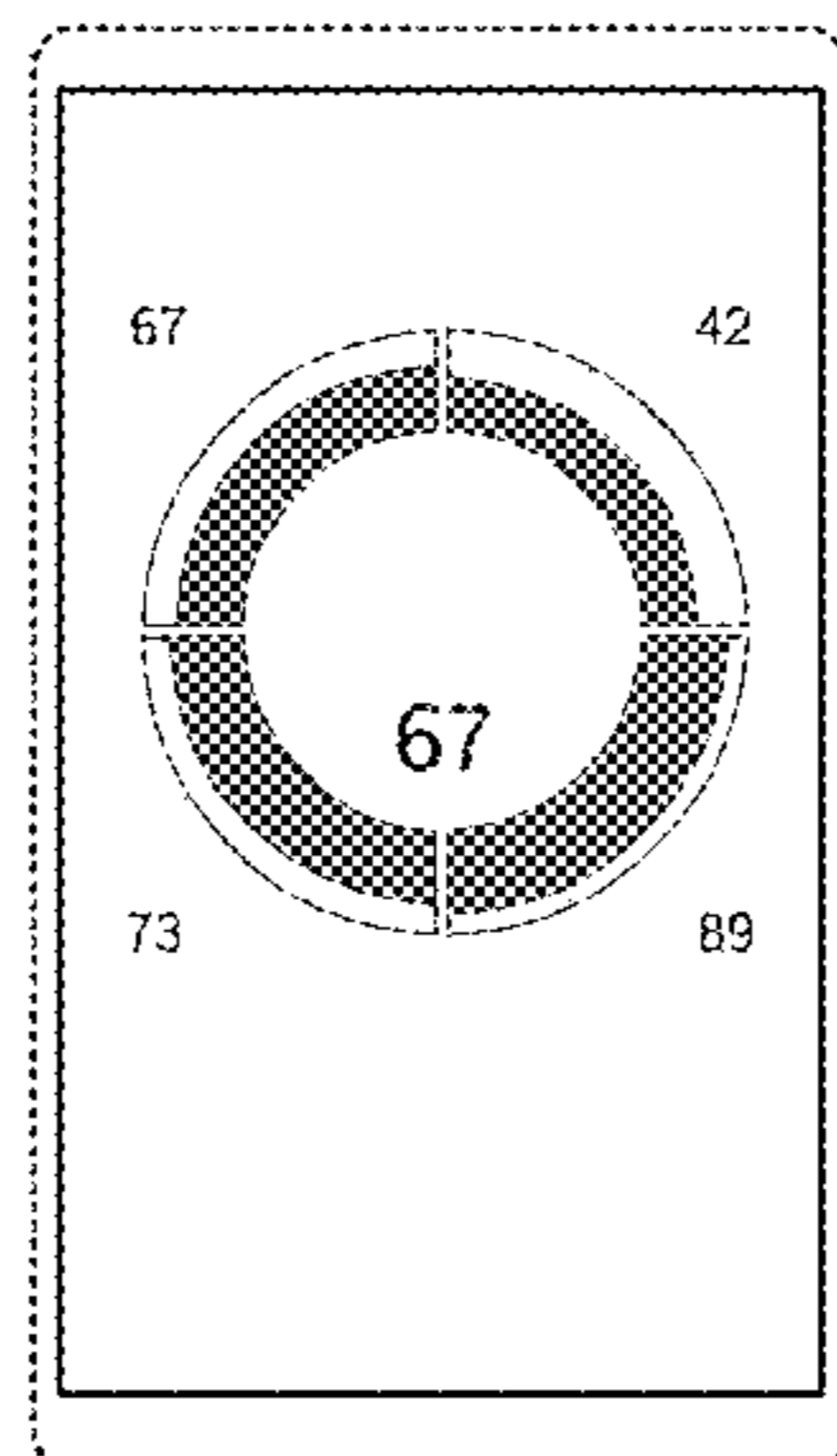
The file of this patent contains at least one drawing or photograph executed in color. Copies of this patent with color drawing(s)/photograph(s) will be provided by the Office upon request and payment of the necessary fee.

FIG. 1 shows a first embodiment of the changeable computer generated icon on a display panel of an electronic device.

FIG. 2 shows a second embodiment of the changeable computer generated icon on a display panel of an electronic device; and,

FIG. 3 shows a color version of the first embodiment.

**1 Claim, 3 Drawing Sheets**  
**(1 of 3 Drawing Sheet(s) Filed in Color)**



(56)

References Cited

U.S. PATENT DOCUMENTS

D697,519 S \* 1/2014 Thomsen ..... D14/485  
 D698,363 S \* 1/2014 Asai ..... D14/488  
 D708,221 S \* 7/2014 Danton ..... D14/492  
 D716,318 S \* 10/2014 Fan ..... D14/485  
 D716,325 S \* 10/2014 Brudnicki ..... D14/486  
 D722,079 S \* 2/2015 Charles ..... D14/488  
 D747,731 S \* 1/2016 Oliveira ..... D14/486  
 D748,657 S \* 2/2016 Lee ..... D14/486  
 D766,267 S \* 9/2016 Lee ..... D14/485  
 2007/0136679 A1 \* 6/2007 Yang ..... H04N 5/44513  
 715/772  
 2010/0023865 A1 \* 1/2010 Fulker ..... G06F 3/04817  
 715/734  
 2012/0036556 A1 \* 2/2012 LeBeau ..... G06F 3/048  
 726/3  
 2012/0096383 A1 \* 4/2012 Sakamoto ..... G06F 9/4443  
 715/772  
 2013/0096819 A1 \* 4/2013 Tarnok ..... G01C 21/00  
 701/428  
 2013/0185753 A1 \* 7/2013 Kliot ..... H04N 21/47217  
 725/39  
 2015/0355224 A1 \* 12/2015 Greer ..... G01P 15/18  
 702/141

OTHER PUBLICATIONS

Nokia Here | posted at dailymobile.pl Jul. 9, 2013 © Wszelkie prawa zastrzeżone DailyMobile 2010 [online]. Available from Internet: <<http://dailymobile.pl/tag/nokia-here/>>.\*  
 Safely Go App | posted at formerlygracie.com Oct. 21, 2012 Copyright Formerly Gracie [online]. Available from Internet: <<http://formerlygracie.com/2012/10/safely-go-app/>> p. 2.\*  
 Japanese road sign | posted at thejapanfaq.com |Posting date not given; page captured on Waybackmachine on Oct. 22, 2003 [online]. Available from Internet: <<http://www.thejapanfaq.com/bikerfaq-signs.html>> p. 2.\*  
 Stitcher iOS Car mode app | posted at whatsoniphone.com May 27, 2013 Copyright © 2008-2016 What's on Iphone [online]. Available on Internet: <<http://www.whatsoniphone.com/blog/stitchers-ios-app-gets-car-mode-to-promote-responsible-driving/>>.\*

\* cited by examiner

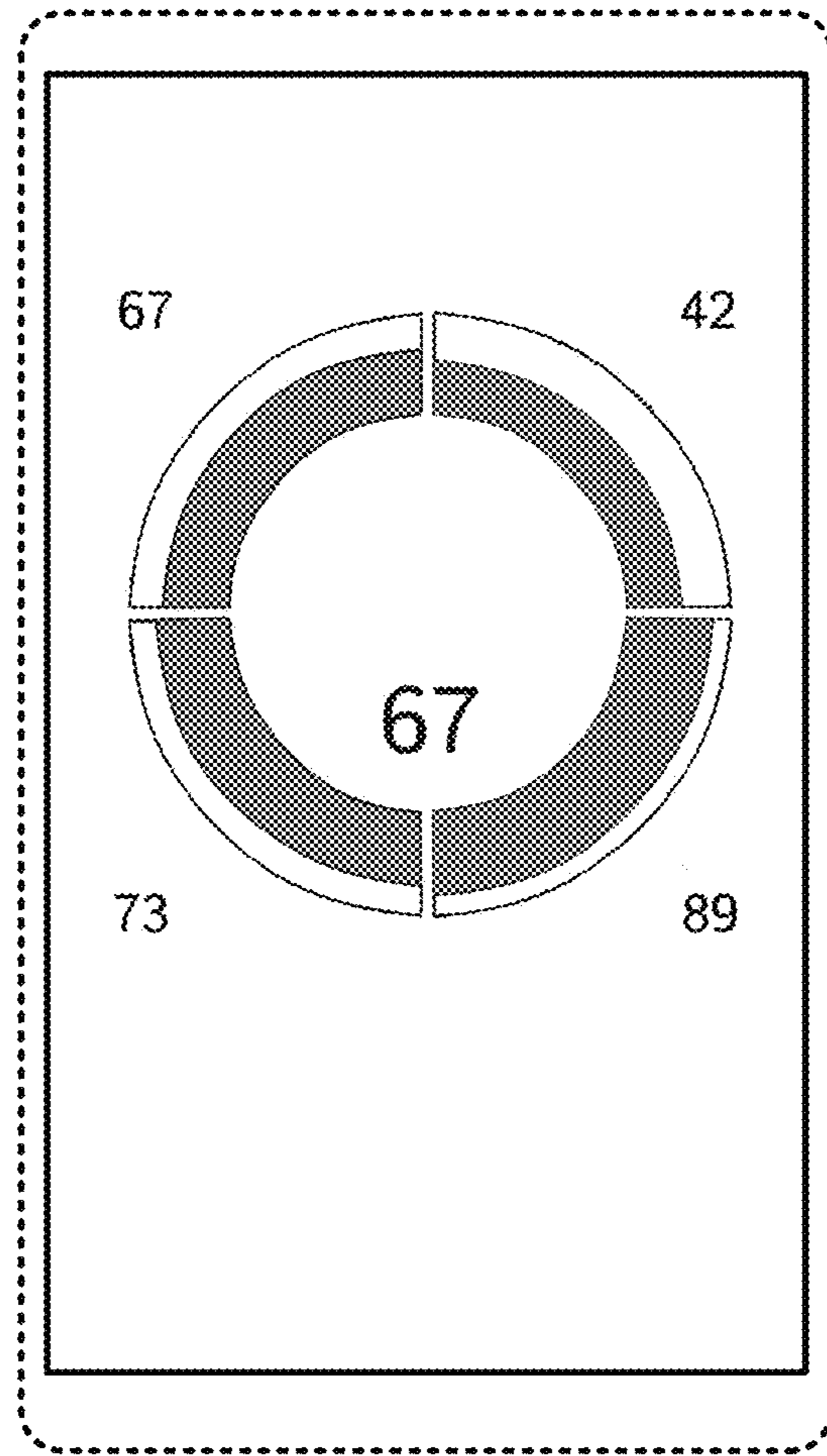


FIG. 1

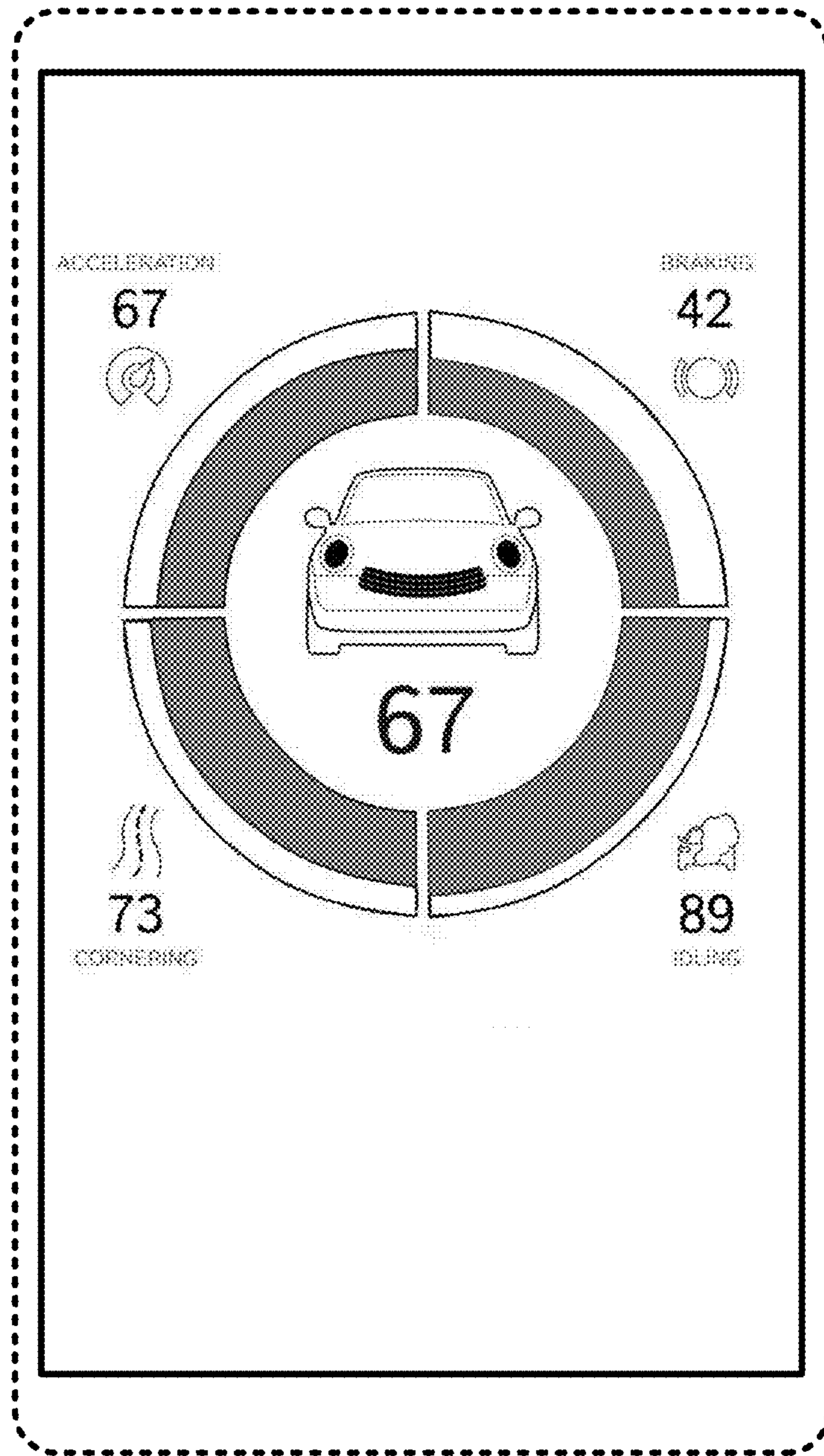


FIG. 2

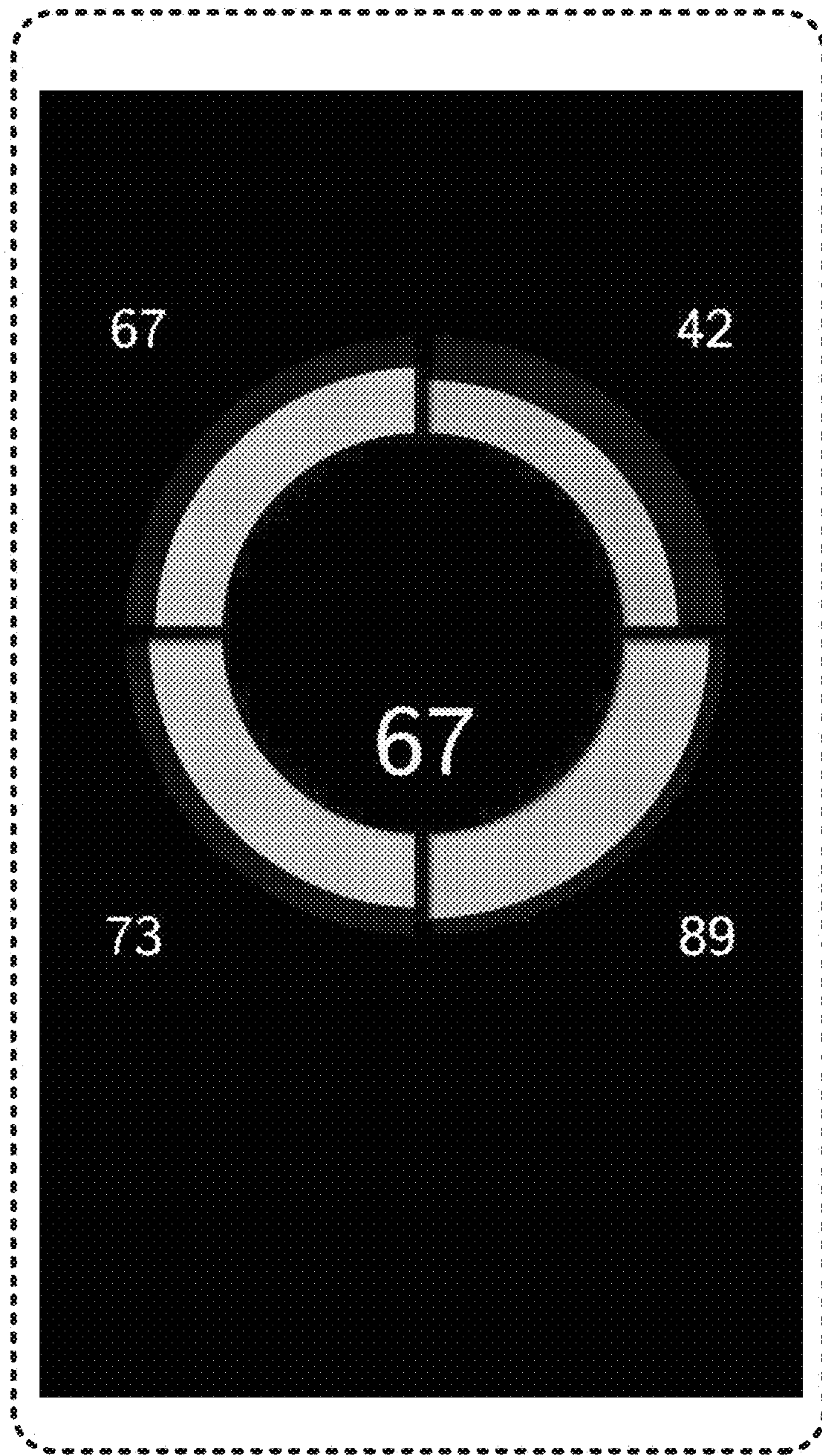


FIG. 3