



US00D797751S

(12) **United States Design Patent** (10) **Patent No.:** **US D797,751 S**  
**Houston et al.** (45) **Date of Patent:** **\*\* Sep. 19, 2017**

(54) **PORTABLE OTG ANTI-COUNTERFEIT SCANNER**

(71) Applicants: **John M. Houston**, Millers Point (AU);  
**Wei P. Wang**, Beijing (CN)

(72) Inventors: **John M. Houston**, Millers Point (AU);  
**Wei P. Wang**, Beijing (CN)

(73) Assignee: **YPB Group Ltd.**, Bangkok (TH)

(\*\*) Term: **15 Years**

(21) Appl. No.: **29/575,064**

(22) Filed: **Aug. 22, 2016**

(51) **LOC (10) Cl.** ..... **14-02**

(52) **U.S. Cl.**  
USPC ..... **D14/453**; D14/420; D14/426

(58) **Field of Classification Search**  
USPC ..... D14/420, 426-439, 453, 356-358,  
D14/383-385, 217, 474, 480.1-480.7,  
D14/483, 484.1; 235/462.01, 462.11,  
235/462.43, 462.45, 462.49, 472.01, 385,  
235/454, 440, 462.13, 439, 492, 380, 375,  
235/486, 382, 451, 487, 381, 441, 472.02,  
235/472.03, 462.47, 462.41, 462.46, 493;  
382/313, 321, 318; 358/473, 474, 483;  
250/215, 216; D26/37-50, 24; 362/157,  
362/158, 171-174, 183-208; 396/427;  
D18/4.6; D13/158, 162, 171, 147, 164,  
D13/108, 110, 103; 710/73

CPC ..... G06K 7/10584; G06K 7/10613; G06K  
7/10881; G06K 7/109; G06K 7/10693;  
G06K 7/10871; G06K 7/1096; G06K  
7/10; G06K 7/10564; G06K 7/10594;  
G06K 7/10603; G06K 7/10663; G06K  
7/10673; G06K 7/10702; G06K 7/10792;  
G06K 7/10633; G06K 7/10653; G06K  
7/10891; G06K 7/14; G06K 7/1443;  
G06K 7/10801; G06K 7/10851; G06K  
7/10861; G06K 2207/1011; G06K  
2207/1012; G06K 2207/1013; G06K

2207/1016; G06K 2207/1017; G06K  
2207/1018; G06K 2207/10534; G06K  
17/0022; G06K 7/12; G06K 7/1097;  
G06K 7/1098; G06K 7/1091; G06K  
7/10623; G06K 2007/10524; G06K  
19/0614; A47F 9/046; A47F 9/047; G07G  
(Continued)

(56) **References Cited**

U.S. PATENT DOCUMENTS

D141,980 S \* 8/1945 Holland ..... D3/274  
D196,912 S \* 11/1963 Kostich ..... D13/147  
(Continued)

FOREIGN PATENT DOCUMENTS

CN 2694385 Y 4/2005  
CN 1989510 A 6/2007  
(Continued)

*Primary Examiner* — Susan Moon Lee

(74) *Attorney, Agent, or Firm* — Tuggle Duggins P.A.;  
Blake Hurt

(57) **CLAIM**

The ornamental design for a portable OTG anti-counterfeit scanner, as shown and described.

**DESCRIPTION**

FIG. 1 is a top, front, right side perspective view of a portable OTG anti-counterfeit scanner, showing our new design;

FIG. 2 is a top plan view thereof, the bottom plan view being a mirror image thereof;

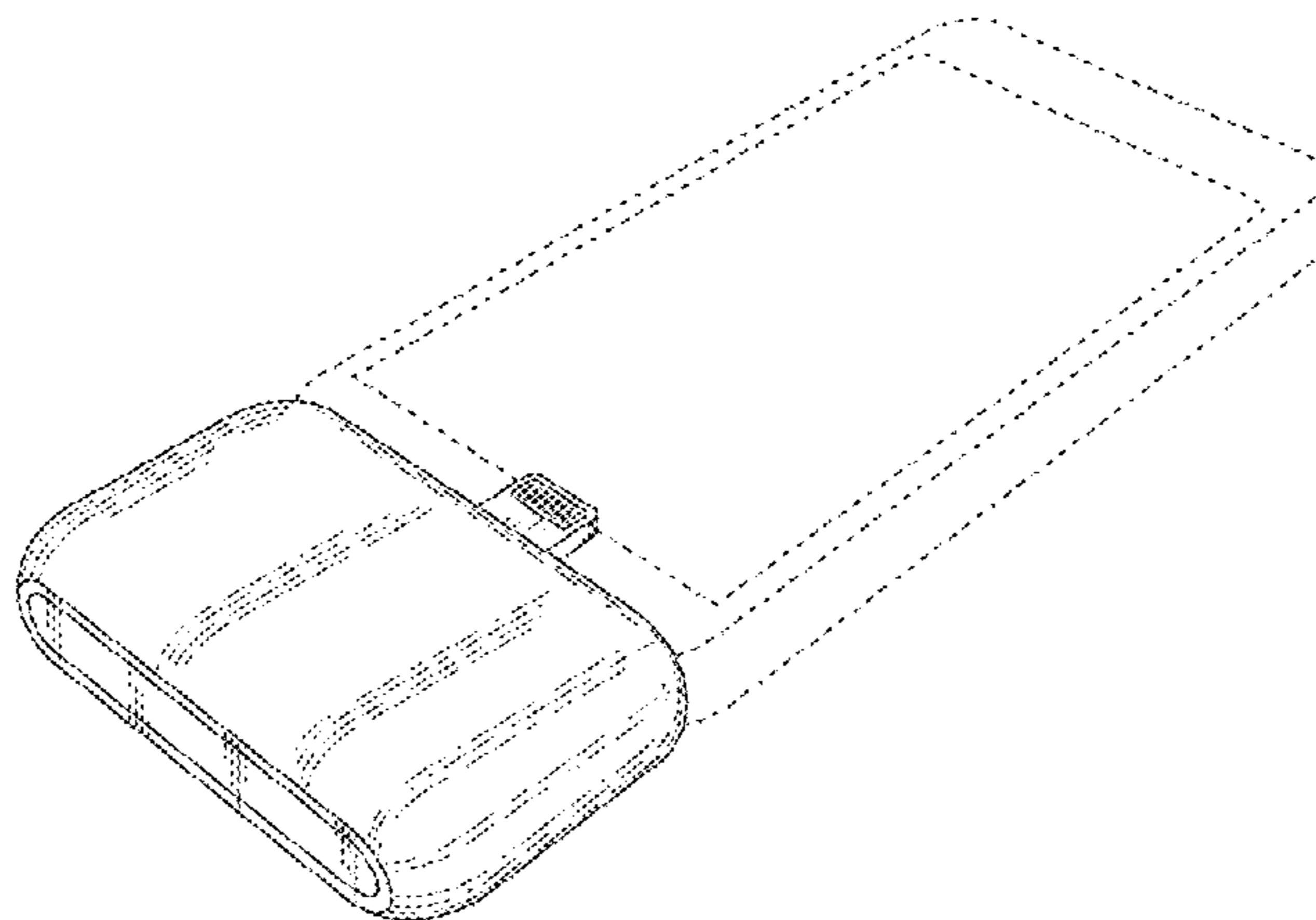
FIG. 3 is a front elevational view thereof;

FIG. 4 is a rear elevational view thereof; and,

FIG. 5 is a left side elevational view thereof, the right side elevational view being a mirror image thereof.

The broken lines represent environmental structure and form no part of the claimed design.

**1 Claim, 3 Drawing Sheets**



(58) **Field of Classification Search**

CPC ..... 1/0045; G04N 5/23238; G04N 5/2252;  
 G04N 5/2251; G03B 17/02; B25H 5/00;  
 B66F 7/28; G02B 26/10; G02B 26/106;  
 G07F 11/002; G07F 11/02; G06Q 20/343;  
 G06Q 30/0185; G06F 2203/0331; G06F  
 1/1696; G06F 1/1632; G06F 1/1656;  
 G06F 1/1658; G06F 1/1684; G06F  
 1/1698; G06F 1/1626; G06F 1/163; G06F  
 3/00; G06F 3/002; H04N 1/107; H04N  
 1/00127; H04N 1/00204; H04N  
 2201/007; H04N 2201/0072; H04N  
 2201/0074; H04N 2201/0015; H04N  
 2201/0075; H04N 2201/0077; H04N  
 2201/0079; H04N 2201/0081; H04N  
 2201/0096; H04N 2201/0051; H04N  
 2201/0053

See application file for complete search history.

(56) **References Cited**

U.S. PATENT DOCUMENTS

D259,708 S \* 6/1981 Swinstead ..... D10/80  
 D267,352 S \* 12/1982 Suzuki ..... D26/118  
 D278,999 S \* 5/1985 Zimmerman ..... D13/184  
 D290,411 S \* 6/1987 Caine ..... D26/120  
 D311,740 S \* 10/1990 Wagner ..... D14/358  
 D317,006 S \* 5/1991 Naderi ..... D14/433  
 5,179,501 A \* 1/1993 Ocken ..... H05K 1/0278  
 174/254  
 5,227,614 A \* 7/1993 Danielson ..... G06F 1/1626  
 235/380  
 D345,304 S \* 3/1994 Leader ..... D9/418  
 D354,500 S \* 1/1995 Georgopulos ..... D14/242  
 5,664,231 A \* 9/1997 Postman ..... G06F 1/1626  
 235/462.41  
 5,719,948 A \* 2/1998 Liang  
 6,118,485 A \* 9/2000 Hinoue ..... G06F 1/1632  
 348/220.1  
 D441,757 S \* 5/2001 Hui ..... D14/435  
 D446,499 S \* 8/2001 Andre ..... D13/110  
 D449,848 S \* 10/2001 Lewis, Jr. .... D16/242  
 D453,514 S \* 2/2002 Elam ..... D14/420  
 D454,110 S \* 3/2002 Andre ..... D13/110  
 D456,412 S \* 4/2002 Khovaylo ..... D14/420  
 6,399,243 B1 \* 6/2002 Kaplan ..... H01M 2/0255  
 429/176  
 D478,877 S \* 8/2003 Hoshiba ..... D13/182  
 D480,383 S \* 10/2003 Bolton ..... D14/214  
 6,670,985 B2 \* 12/2003 Karube ..... G06F 1/16  
 348/207.1  
 D484,881 S \* 1/2004 Lai ..... D14/385  
 D490,796 S \* 6/2004 Allen ..... D14/260  
 D502,947 S \* 3/2005 Zhang ..... D14/385  
 6,873,356 B1 \* 3/2005 Kanbe ..... G03B 29/00  
 348/207.1  
 6,886,749 B2 \* 5/2005 Chiba ..... H04N 1/00204  
 235/454  
 D511,151 S \* 11/2005 Wells ..... D14/125  
 6,978,939 B2 \* 12/2005 Russell ..... H04N 1/00347  
 235/375  
 D515,044 S \* 2/2006 Ishida ..... D13/180  
 D528,080 S \* 9/2006 Wells ..... D14/125  
 D531,127 S \* 10/2006 Zhong ..... D13/147  
 D531,619 S \* 11/2006 Chau ..... D14/217  
 D533,146 S \* 12/2006 Wu ..... D13/180  
 D534,545 S \* 1/2007 Leija ..... D14/496  
 D535,981 S \* 1/2007 Park ..... D14/230  
 D536,695 S \* 2/2007 Griffin ..... D14/230  
 D537,780 S \* 3/2007 Suckle ..... D13/133  
 D549,193 S \* 8/2007 Gomes, II ..... D14/126  
 D550,169 S \* 9/2007 Wu ..... D13/180  
 D551,383 S \* 9/2007 Wu ..... D26/118

D560,228 S \* 1/2008 Andre ..... D14/496  
 D562,269 S \* 2/2008 Wu ..... D13/180  
 D565,571 S \* 4/2008 Trifilio ..... D14/356  
 7,362,477 B2 \* 4/2008 Ishikawa ..... H04N 1/00204  
 358/442  
 D569,848 S \* 5/2008 Suzuki ..... D14/188  
 D575,729 S \* 8/2008 Nomi ..... D13/107  
 D586,742 S \* 2/2009 Song ..... D13/103  
 D599,795 S \* 9/2009 Lindley ..... D14/240  
 D600,640 S \* 9/2009 Stein ..... D13/103  
 D601,955 S \* 10/2009 Ekmekdje ..... D13/102  
 D612,329 S \* 3/2010 Guccione ..... D13/108  
 D612,385 S \* 3/2010 Aoki ..... D14/435  
 D616,899 S \* 6/2010 Andre ..... D14/496  
 D618,225 S \* 6/2010 Tong ..... D13/133  
 D618,240 S \* 6/2010 Larmour ..... D14/230  
 D626,126 S \* 10/2010 Park ..... D14/365  
 D634,326 S \* 3/2011 Gehrke ..... D14/435.1  
 D634,704 S \* 3/2011 Tieleman ..... D13/102  
 D638,385 S \* 5/2011 Wong ..... D14/125  
 D642,517 S \* 8/2011 Inman ..... D13/103  
 D648,690 S \* 11/2011 Snodgrass ..... D14/125  
 D659,638 S \* 5/2012 Wang ..... D13/108  
 D673,564 S \* 1/2013 Milliff ..... D14/358  
 D677,623 S \* 3/2013 Fitch ..... D13/108  
 D678,191 S \* 3/2013 Fitch ..... D13/108  
 D679,711 S \* 4/2013 Perry ..... D14/434  
 D682,835 S \* 5/2013 Daniel ..... D14/433  
 D683,703 S \* 6/2013 Akana ..... D13/147  
 D684,113 S \* 6/2013 Han ..... D13/103  
 D684,976 S \* 6/2013 Akana ..... D14/433  
 D685,374 S \* 7/2013 Schindler ..... D14/435  
 D686,981 S \* 7/2013 Koyabu ..... D13/103  
 D687,023 S \* 7/2013 Jung ..... D14/242  
 D688,198 S \* 8/2013 Takeshita ..... D13/103  
 D688,651 S \* 8/2013 Daniel ..... D14/240  
 D689,433 S \* 9/2013 Wang ..... D13/110  
 D689,495 S \* 9/2013 Bentley ..... D14/433  
 D691,139 S \* 10/2013 Koefoed ..... D14/433  
 D705,782 S \* 5/2014 McParland ..... D14/435  
 D711,822 S \* 8/2014 Emano ..... D13/108  
 D713,796 S \* 9/2014 Akana ..... D13/147  
 D716,304 S \* 10/2014 Orthey ..... D14/385  
 8,905,793 B2 \* 12/2014 Golko ..... B29C 45/14655  
 439/660  
 D720,755 S \* 1/2015 Nokuo ..... D14/433  
 D725,591 S \* 3/2015 Chien ..... D13/103  
 9,011,179 B2 \* 4/2015 Siahaan ..... H01R 13/504  
 439/606  
 D732,023 S \* 6/2015 Asao ..... D14/358  
 D734,752 S \* 7/2015 Chen ..... D14/420  
 9,092,233 B2 \* 7/2015 Andrews ..... G06F 9/4416  
 9,093,803 B2 \* 7/2015 Soohoo ..... G06F 1/1626  
 D738,503 S \* 9/2015 Md Kassim ..... D24/150  
 D740,828 S \* 10/2015 Bucsa ..... D14/433  
 D743,395 S \* 11/2015 Chen ..... D14/385  
 D751,985 S \* 3/2016 Curry ..... D13/103  
 D754,130 S \* 4/2016 Garcia ..... D14/420  
 D755,724 S \* 5/2016 Akana ..... D13/147  
 D759,003 S \* 6/2016 Daniel ..... D14/240  
 D766,822 S \* 9/2016 Esses ..... D13/107  
 D769,816 S \* 10/2016 Esses ..... D13/107  
 D769,877 S \* 10/2016 Akana ..... D14/433  
 D770,456 S \* 11/2016 Akana ..... D14/433  
 D772,878 S \* 11/2016 Chiang ..... D14/433  
 D781,294 S \* 3/2017 Schwalbach ..... D14/433  
 D781,785 S \* 3/2017 Akana ..... D13/147  
 D784,308 S \* 4/2017 Buel ..... D14/242  
 9,633,236 B1 \* 4/2017 Wade ..... G06K 7/01  
 2002/0170972 A1 \* 11/2002 Kim ..... G06K 19/07743  
 235/487  
 2003/0151780 A1 \* 8/2003 Tsai ..... H04N 1/107  
 358/474  
 2003/0163623 A1 \* 8/2003 Yeung ..... H04N 1/00236  
 710/300  
 2004/0038592 A1 \* 2/2004 Yang ..... G06K 19/07732  
 439/638

(56)

**References Cited**

U.S. PATENT DOCUMENTS

2004/0056956 A1\* 3/2004 Gardiner ..... H04N 5/2252  
348/207.1  
2005/0041387 A1\* 2/2005 Lee ..... G06F 1/16  
361/679.33  
2005/0111056 A1\* 5/2005 Chiba ..... H04N 1/00318  
358/474  
2009/0160400 A1\* 6/2009 Woud ..... H02J 7/0042  
320/115  
2009/0297891 A1\* 12/2009 Byun ..... H01M 2/22  
429/7  
2010/0199232 A1\* 8/2010 Mistry ..... G06F 1/163  
715/863  
2010/0254581 A1\* 10/2010 Neeser ..... A61B 5/0077  
382/128  
2012/0126011 A1\* 5/2012 Lamba ..... G06Q 20/322  
235/449  
2012/0262109 A1\* 10/2012 Toya ..... H01M 10/44  
320/108

2012/0285847 A1\* 11/2012 Olsson ..... G06F 1/1628  
206/320  
2013/0244489 A1\* 9/2013 Terlizzi ..... H01R 13/6683  
439/620.01  
2014/0038222 A1\* 2/2014 Alt ..... G01N 21/63  
435/29  
2014/0073170 A1\* 3/2014 Golko ..... H01R 13/6275  
439/350  
2014/0075051 A1\* 3/2014 Zadesky ..... G06F 13/385  
710/3  
2014/0075210 A1\* 3/2014 Rich ..... G06F 1/1632  
713/300  
2015/0126244 A1\* 5/2015 Moran ..... G06K 9/209  
455/556.1  
2017/0061183 A1\* 3/2017 Houston ..... G06K 7/12

FOREIGN PATENT DOCUMENTS

CN 103597501 A 2/2014  
CN 104615970 A 5/2015  
DE 3900056 A1 7/1989

\* cited by examiner

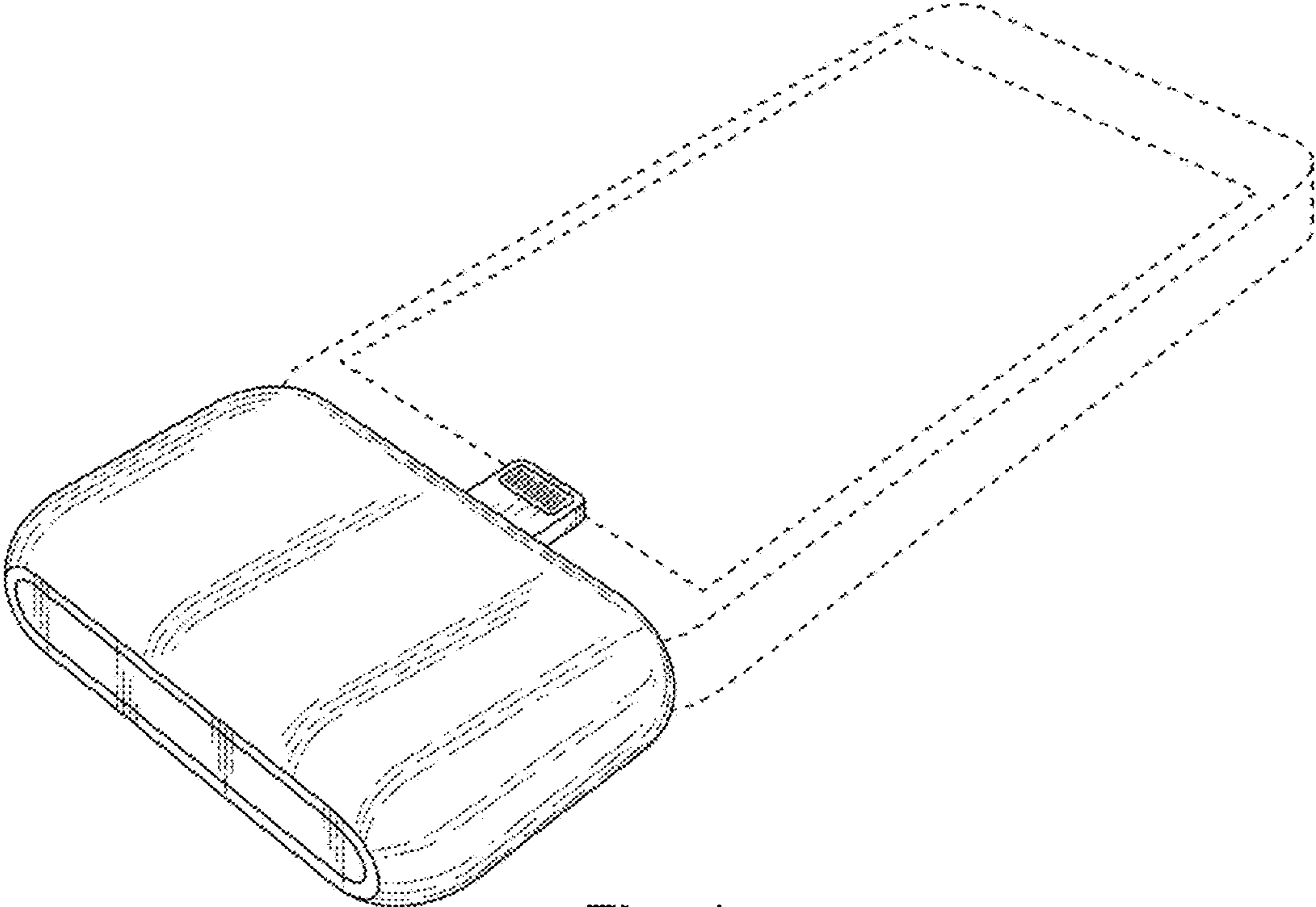


Fig. 1

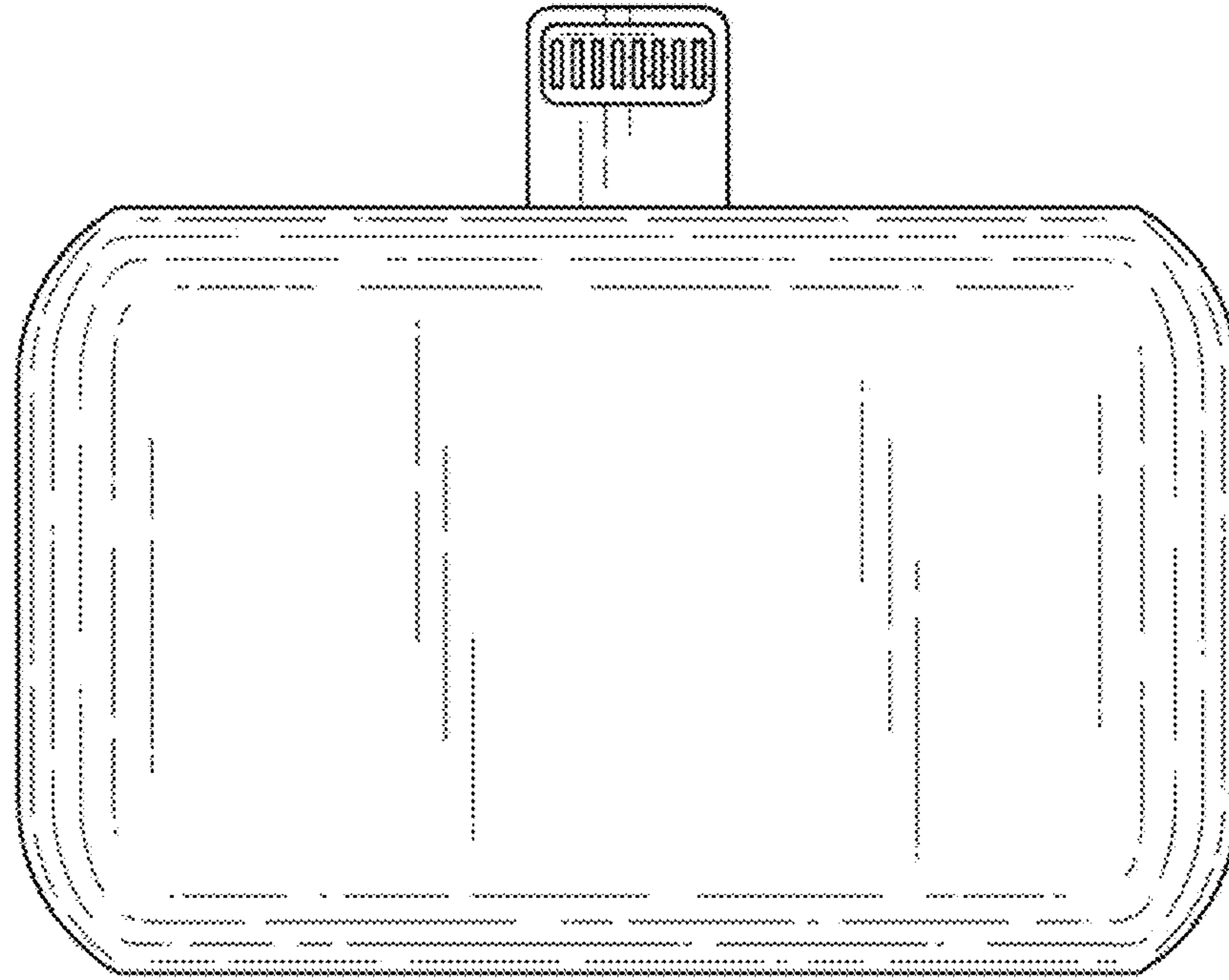


Fig. 2

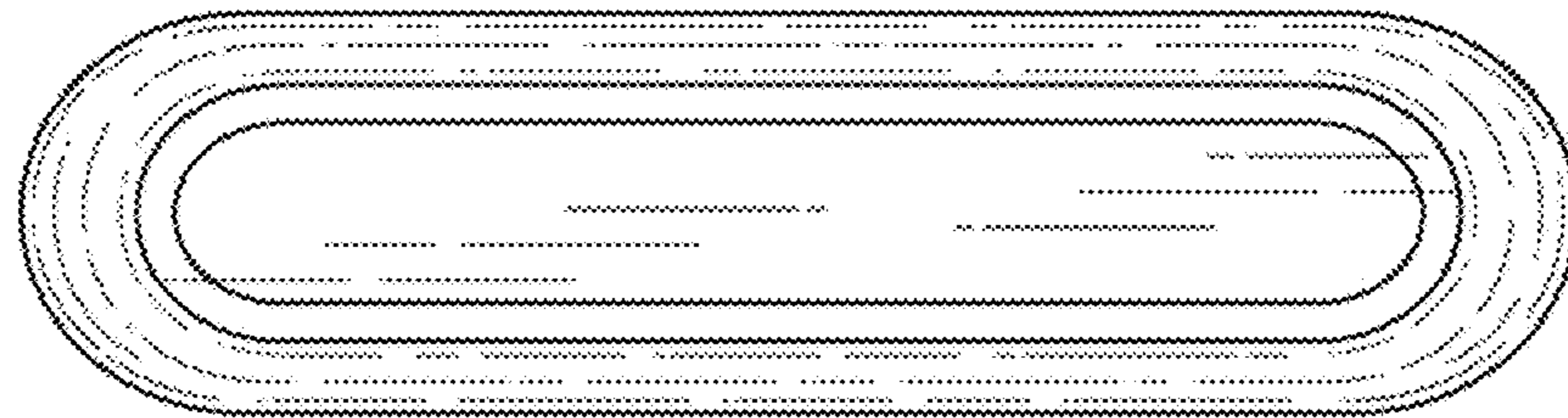


Fig. 3

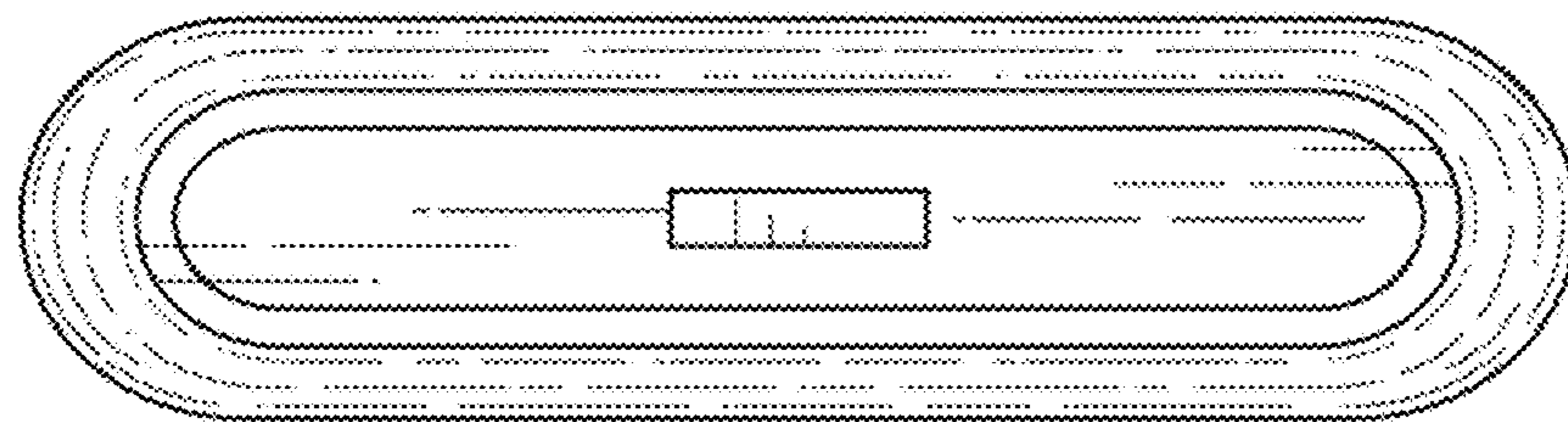


Fig. 4

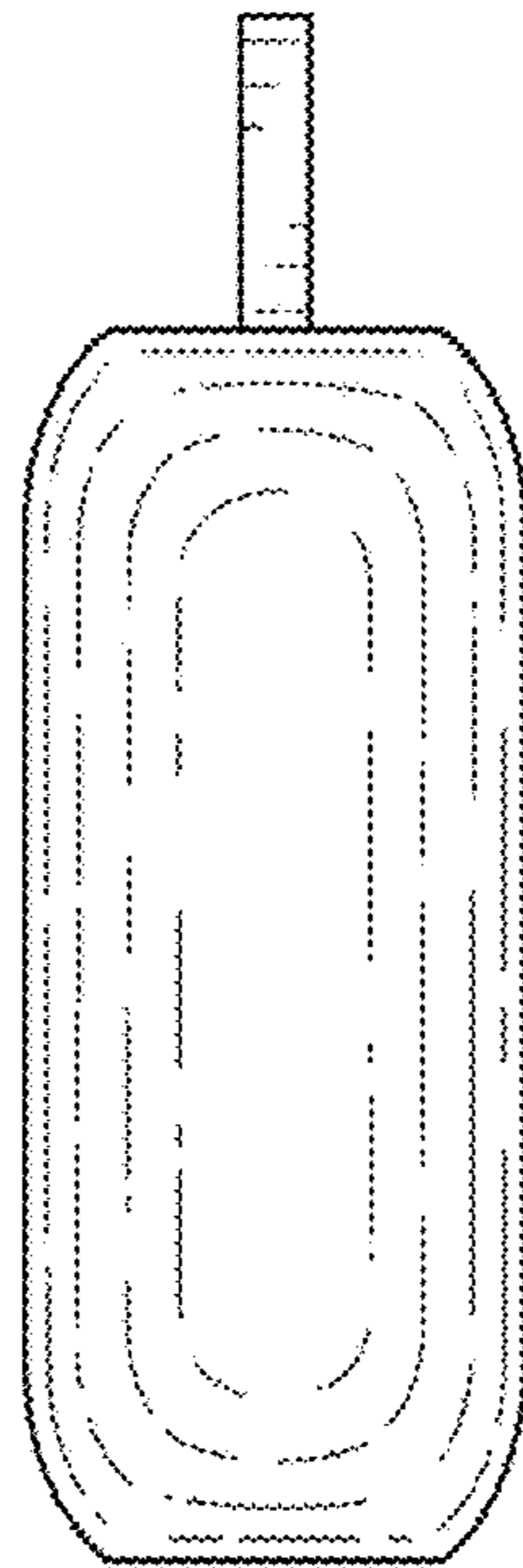


Fig. 5