



US00D797750S

(12) **United States Design Patent** (10) **Patent No.:** **US D797,750 S**
Wengreen (45) **Date of Patent:** **** Sep. 19, 2017**

(54) **MOUNT FOR ELECTRONIC DEVICES**

(71) Applicant: **Innovelis, Inc.**, Sammamish, WA (US)

(72) Inventor: **Eric John Wengreen**, Sammamish, WA (US)

(73) Assignee: **Innovelis, Inc.**, Sammamish, WA (US)

(**) Term: **15 Years**

(21) Appl. No.: **29/582,715**

(22) Filed: **Oct. 29, 2016**

(51) **LOC (10) Cl.** **08-07**

(52) **U.S. Cl.**
USPC **D14/447**

(58) **Field of Classification Search**
USPC D14/447, 432, 434, 439, 440, 451, 452,
D14/457, 239; D8/363, 373, 380, 406.3,
D8/406.4, 406.5, 406.6; D12/415
CPC A47B 21/04; A47B 2097/006; A47B
2097/005; A47B 2023/049; A45C
2011/002; A45C 2011/003; F16M
2200/00; F16M 13/00

See application file for complete search history.

(56) **References Cited**

U.S. PATENT DOCUMENTS

1,618,573 A	2/1927	Cole
2,584,646 A	2/1952	Wagstaff
3,091,378 A	5/1963	O'Dwyer
D196,542 S	10/1963	Zelnick
3,176,950 A	4/1965	Hittesdorf
3,279,009 A	10/1966	Teasdale
3,294,298 A	12/1966	Danielson
3,477,679 A	11/1969	Lovitz
3,990,617 A	11/1976	Carter
D242,766 S	12/1976	Neece
4,067,532 A	1/1978	Viteretto
4,158,450 A	6/1979	Suzuki
4,467,244 A	8/1984	Dickie

4,519,656 A	5/1985	Raz
D280,466 S	9/1985	Seltzer
D282,034 S	1/1986	Janke
4,602,761 A	7/1986	Carter
4,697,780 A	10/1987	Wenkman
4,746,042 A	5/1988	King
4,771,927 A	9/1988	Ventura
4,815,683 A	3/1989	Ferrante
4,825,590 A	5/1989	Cullinane

(Continued)

OTHER PUBLICATIONS

Out of Sight Bracket—Website Part 1 (downloaded on Nov. 13, 2013 from http://www.outofsightbracket.com/OutOfSightBracket/Out_of_Sight_Bracket_for_Apple_TV.html). The website says the Out of Sight Bracket is “Patent Pending.” The Out of Sight Bracket might have been made by Gordon H. Beckhart.

(Continued)

Primary Examiner — Angela J Lee

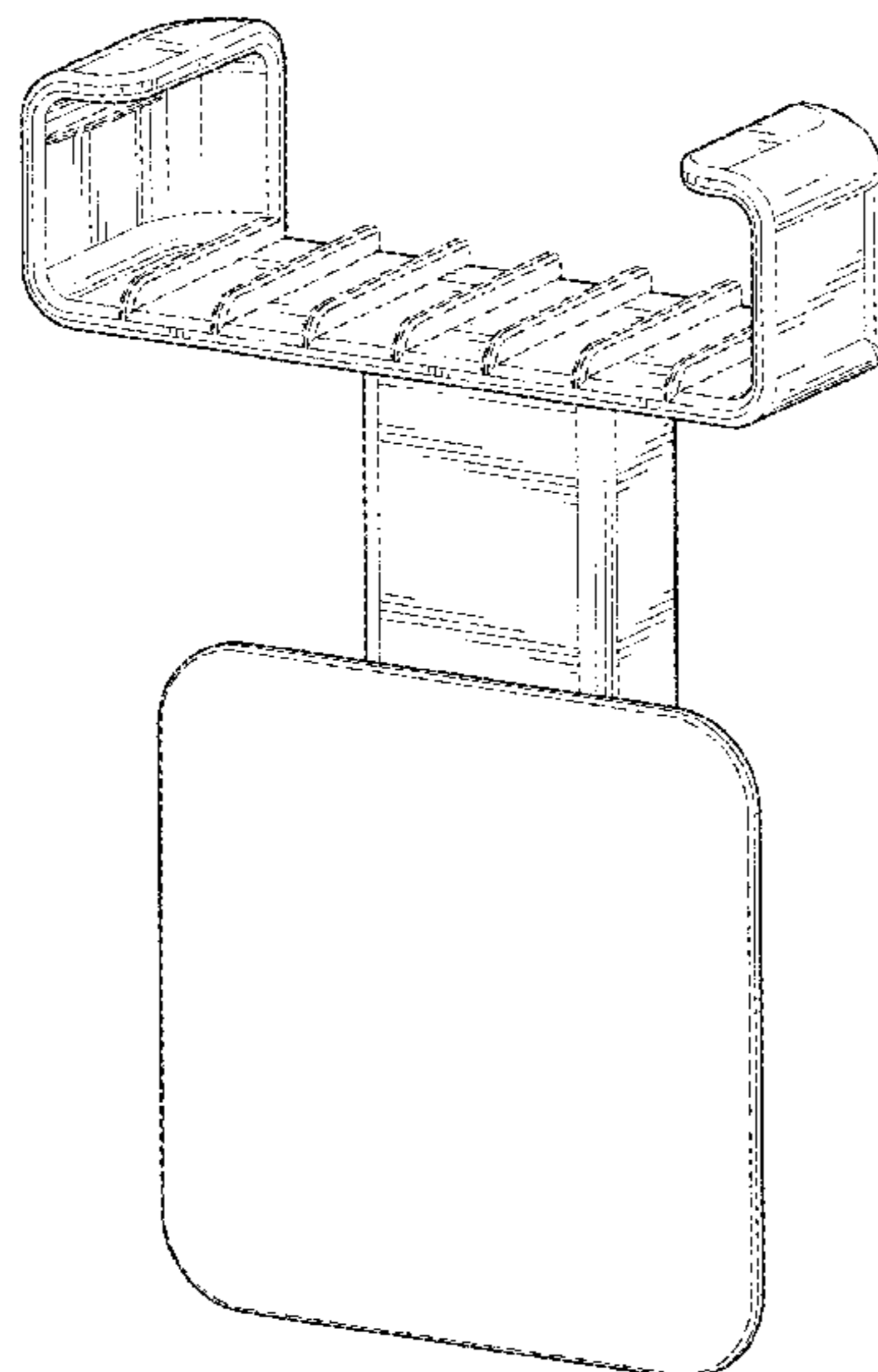
(57) **CLAIM**

The ornamental design for a mount for electronic devices, as shown and described.

DESCRIPTION

FIG. 1 is a front, side, and top perspective view of a mount for electronic devices embodying the new design; FIG. 2 is a back, side, and top perspective view thereof; FIG. 3 is a front view thereof; FIG. 4 is a back view thereof; FIG. 5 is a top view thereof; FIG. 6 is a bottom view thereof; FIG. 7 is a first side view thereof; and, FIG. 8 is a second side view thereof. The broken lines depict portions of the mount for electronic devices in which the claimed design is embodied and form no part of the claimed design.

1 Claim, 3 Drawing Sheets



(56)

References Cited

U.S. PATENT DOCUMENTS

4,826,115	A	5/1989	Novitski	D557,266	S	12/2007	Hughes	
4,840,773	A	6/1989	Wade	D560,411	S	1/2008	Chung	
4,852,843	A	8/1989	Chandler	D564,529	S	3/2008	Hughes	
4,974,764	A	12/1990	Cantwell	D565,399	S	4/2008	Grey	
D317,157	S	5/1991	Jondelius	D568,889	S	5/2008	Hughes	
5,038,985	A	8/1991	Chapin	7,367,089	B2	5/2008	Cooke	
5,092,395	A	3/1992	Amidzich	D570,801	S	6/2008	Allen	
5,227,582	A	7/1993	Velasco	D586,795	S	2/2009	Richter	
5,273,690	A	12/1993	McDowell	D596,172	S	7/2009	Ahlqvist	
5,297,318	A	3/1994	Adolphson	D598,945	S	8/2009	Gillespie	
D351,341	S	10/1994	Hung	7,580,255	B2	8/2009	Crooijmans	
5,385,282	A	1/1995	Chen	D601,000	S	9/2009	Cole	
5,400,990	A	3/1995	Frankel	D609,030	S	2/2010	Barabas	
D359,616	S	6/1995	Ishibashi	D610,579	S	2/2010	Behar	
D361,335	S	8/1995	Rudkiewicz	D616,732	S	* 6/2010	Brockington	D8/373
D361,462	S	8/1995	Newham	D624,949	S	10/2010	Nakayama	
D369,465	S	5/1996	Scheid	D625,729	S	10/2010	McNames	
5,535,093	A	7/1996	Noguchi	D628,611	S	12/2010	Lewis	
D376,787	S	12/1996	Calfee	7,854,420	B2	12/2010	Depay	
5,593,124	A	1/1997	Wang	D633,503	S	3/2011	Bo	
5,619,395	A	4/1997	McBride	7,959,121	B1	6/2011	Barnes	
5,619,774	A	4/1997	Perry	7,980,435	B2	7/2011	Tages	
D388,107	S	12/1997	Huckins	D648,727	S	11/2011	Van Den Nieuwenhuizen	
D390,849	S	2/1998	Richter	D657,362	S	4/2012	Lister	
5,850,998	A	12/1998	Parsey	D662,491	S	6/2012	Andre	
D407,408	S	3/1999	Hoff	D667,411	S	9/2012	Kim	
D409,079	S	5/1999	Sobczynski	D669,890	S	10/2012	Hopkins	
5,899,371	A	5/1999	Weliver	D672,308	S	12/2012	Cobbett	
D411,542	S	6/1999	Richter	8,322,584	B2	12/2012	Dethmers	
5,914,707	A	6/1999	Kono	D686,629	S	7/2013	Trinh	
5,961,083	A	10/1999	Hartman	8,544,805	B2	10/2013	Virgin	
5,979,724	A	11/1999	Loewenthal	D694,219	S	* 11/2013	Parraga Gimeno	D14/217
D420,149	S	2/2000	Hersh	D695,748	S	12/2013	Morris	
6,039,173	A	3/2000	Crow	D700,832	S	3/2014	Ng	
D425,353	S	5/2000	Foy	D705,229	S	5/2014	Wengreen	
6,073,901	A	6/2000	Richter	D710,340	S	8/2014	Wengreen	
6,102,660	A	8/2000	Lee	D712,906	S	9/2014	Wengreen	
6,105,923	A	8/2000	Robertson	D713,395	S	9/2014	Godycki	
D431,250	S	9/2000	Richter	D713,399	S	9/2014	Green	
6,163,997	A	12/2000	Deralas	8,847,549	B2	9/2014	Graham	
6,193,546	B1	2/2001	Sadler	8,848,113	B2	9/2014	Wengreen	
D443,493	S	6/2001	Skeem	D714,793	S	10/2014	Kim	
6,275,885	B1	8/2001	Chin	D716,580	S	11/2014	Wengreen	
6,336,615	B1	1/2002	Jeon	D717,804	S	11/2014	Budge	
D456,024	S	4/2002	Richter	8,896,768	B1	11/2014	Wengreen	
D456,413	S	4/2002	Malson	8,934,060	B1	1/2015	Wengreen	
6,445,290	B1	9/2002	Fingal	8,934,061	B1	1/2015	Wengreen	
6,485,144	B1	11/2002	Liao	8,939,417	B1	1/2015	Wengreen	
D471,547	S	3/2003	Ruohonen	D723,042	S	2/2015	Lee	
6,554,527	B1	4/2003	O'Donnell	8,988,616	B2	3/2015	Wengreen	
6,560,983	B1	5/2003	Schimmeyer	D729,544	S	5/2015	Wengreen	
D484,778	S	* 1/2004	French	D732,939	S	6/2015	Cannaverde	
6,691,374	B2	2/2004	Coyne	D733,542	S	7/2015	Cannaverde	
6,888,940	B1	5/2005	Deppen	D734,305	S	7/2015	Wengreen	
D508,605	S	8/2005	Hwang	D735,174	S	7/2015	Wengreen	
6,939,641	B2	9/2005	Kincaid	9,131,195	B2	9/2015	Wengreen	
6,983,126	B1	1/2006	Saalman	D746,599	S	1/2016	Olson	
7,047,601	B1	5/2006	Vernon-Woods	D748,099	S	* 1/2016	Heid	D14/447
7,067,737	B2	6/2006	Mallen	D749,549	S	2/2016	Wengreen	
7,079,384	B2	7/2006	Wang	D749,596	S	* 2/2016	Khodapanah	D14/447
7,080,764	B2	7/2006	McNicholas	D749,597	S	2/2016	Wengreen	
7,113,218	B2	9/2006	Battles	D750,612	S	* 3/2016	Chen	D14/253
D529,713	S	10/2006	Guyot	D752,415	S	3/2016	Lu	
D529,905	S	10/2006	Richter	D752,597	S	* 3/2016	Girault	D14/447
D530,713	S	10/2006	Richter	9,339,112	B2	5/2016	Wengreen	
D533,175	S	12/2006	Richter	D759,005	S	6/2016	Murakami	
7,145,603	B2	12/2006	Whitby	D763,835	S	8/2016	Wengreen	
D535,826	S	1/2007	Toghianian	D765,063	S	8/2016	Wengreen	
D536,239	S	2/2007	Tallman	D765,064	S	8/2016	Wengreen	
7,222,762	B2	5/2007	Rees	D765,549	S	* 9/2016	Khodapanah	D12/114
D545,343	S	6/2007	Braun	D770,171	S	11/2016	Lai	
D547,863	S	7/2007	Heinsch	D777,167	S	1/2017	Wengreen	
D551,008	S	9/2007	Hidalgo	9,543,082	B1	1/2017	Wengreen	
D553,352	S	10/2007	Allen	D779,466	S	2/2017	Wengreen	
D556,027	S	* 11/2007	Cuzzocrea	D784,354	S	* 4/2017	Abreu	D14/447
				D784,997	S	* 4/2017	Cheng	D14/447
				D785,638	S	* 5/2017	Hsu	D14/447
				2005/0023419	A1	2/2005	Frankel	
				2005/0211861	A1	9/2005	Lee	

(56)

References Cited

U.S. PATENT DOCUMENTS

2005/0236541	A1	10/2005	Chang
2006/0224575	A1	10/2006	Ostojic
2007/0097617	A1	5/2007	Searby
2007/0235609	A1	10/2007	Chun
2007/0264169	A1	11/2007	Chen
2008/0078793	A1	4/2008	Brown
2009/0218454	A1	9/2009	Stanley
2009/0296997	A1	12/2009	Rochefford
2010/0270190	A1	10/2010	Howard
2010/0281671	A1	11/2010	De Vaan
2010/0288895	A1	11/2010	Shamie
2010/0314277	A1	12/2010	Murray
2011/0242439	A1	10/2011	Calderon
2012/0126081	A1	5/2012	Wengreen
2012/0127379	A1	5/2012	Wengreen
2012/0168516	A1	7/2012	Bolger
2012/0280014	A1	11/2012	Lopez-Apodaca
2012/0312950	A1	12/2012	Sears
2014/0061406	A1	3/2014	Chevalier
2014/0103179	A1	4/2014	Lipke
2014/0241705	A1	8/2014	Wengreen
2015/0070835	A1	3/2015	Mclean
2015/0212544	A1	7/2015	Chen
2015/0305502	A1	10/2015	Wengreen
2016/0007735	A1	1/2016	Gallup
2016/0119458	A1	4/2016	Gunther
2016/0120295	A1	5/2016	Rowley
2016/0218535	A1	7/2016	Prete
2016/0234955	A1	8/2016	Wengreen
2016/0241289	A1	8/2016	Wieth

OTHER PUBLICATIONS

Out of Sight Bracket—Website Part 2 (downloaded on Nov. 13, 2013 from http://www.outofsightbracket.com/OutOfSightBracket/How_to_mount_your_Apple_TV_or_AirPort_Express.html). The website says the Out of Sight Bracket is “Patent Pending.” The Out of Sight Bracket might have been made by Gordon H. Beckhart.

Out of Sight Bracket—Website Part 3 (downloaded on Nov. 13, 2013 from <http://www.soundandvision.com/content/bracket-keeps-apple-airport-express-and-apple-tv-out-sight>).

TV Tray—Website (downloaded on Nov. 13, 2013 from <http://h-sq.com/products/tvtray/>).

TV Tray—Installation Guide (downloaded on Nov. 13, 2013 from http://www.h-sq.com/downloads/tvtx_ug.pdf).

Cosmos Tray—Website (downloaded on Nov. 13, 2013 from http://www.amazon.com/Cosmos-MD199LL-AirPort-Express-Station/dp/B00C2JNGB2/ref=sr_1_4?ie=UTF8&qid=1384406376&sr=8-4&keywords=apple+tv+mount).

CTA Digital—Website (downloaded on Nov. 13, 2013 from <http://www.ctadigital.com/downloads/KIN-WMC-final.pdf>).

PDP Mounting Clip—Part 1 (downloaded on Nov. 13, 2013 from <http://www.amazon.com/Kinect-Sensor-TV-Mounting-Clip-Xbox/dp/B004XV6ST4>).

PDP Mounting Clip—Part 2 (downloaded on Nov. 13, 2013 from http://www.microsoftstore.com/store/msusa/en_US/pdp/Kinect-Sensor-TV-Mounting-Clip/productID.253726200).

PDP Mounting Clip—Part 3 (downloaded on Nov. 13, 2013 from <http://www.bestbuy.com/site/pdp-sensor-mounting-clip-for-kinect/3521258.p?id=1218408957863&skuld=3521258>).

ScreenDeck (downloaded on Nov. 13, 2013 from http://news.cnet.com/8301-17938_105-20071226-1/screendeck-adds-top-shelf-to-your-flat-panel-tv/).

Center Stage Bracket—Part 1 (downloaded on Nov. 13, 2013 from <http://www.bestbuy.com/site/center-stage-bracket-satellite-center-channel-speaker-shelf-bracket-black/5857191.p?id=1218697292805&skuld=5857191>).

Center Stage Bracket—Part 2 (downloaded on Nov. 13, 2013 from [\[channel-speaker-shelf-bracket-black/5857191.p?id=1218697292805&skuld=5857191\]\(http://www.bestbuy.com/site/center-stage-bracket-satellite-center-channel-speaker-shelf-bracket-black/5857191.p?id=1218697292805&skuld=5857191\)\).](http://www.bestbuy.com/site/center-stage-bracket-satellite-center-</p>
</div>
<div data-bbox=)

[p?id=1218697292805&skuld=5857191](http://www.bestbuy.com/site/center-stage-bracket-satellite-center-channel-speaker-shelf-bracket-black/5857191.p?id=1218697292805&skuld=5857191)).

DreamGear TriMount (downloaded on Nov. 14, 2013 from <http://www.dreamgear.net/shop-by-platform/universal/trimount.html>).

Cisco router wall mounting instructions (downloaded on Jan. 2, 2014 from <http://www.cisco.com/en/US/docs/routers/access/1800/1841/hardware/installation/guide/18inst.pdf>).

Cisco wall mounting bracket (downloaded on Jan. 2, 2014 from <http://www.cisco.com/en/US/docs/routers/access/800/806/hardware/installation/guide/install.pdf>).

Netgear ProSafe (downloaded on Jan. 2, 2014 from http://www.storagereview.com/netgear_prosafe_wndap660_dualband_wireless_access_point_review) article includes a date of Dec. 21, 2012.

Wireless router picture (downloaded on Jan. 2, 2014 from <http://www.techwarelabs.com/wp-content/gallery/ingenius-esr9850-wireless-router/router-bottom.jpg>).

Apple TV, downloaded on Feb. 3, 2014 from <http://www.apple.com/appletv/what-is/>.

Roku media players—Part 1, downloaded on Feb. 3, 2014 from <http://www.roku.com/products/roku-2>.

Roku media players—Part 2, downloaded on Feb. 3, 2014 from <http://www.roku.com/products/compare>.

Innovelis, Inc. Product—TotalMount—Apple TV Mounting Kit, downloaded from Amazon.com on Feb. 3, 2014, first available on Amazon.com on Jun. 22, 2011: http://www.amazon.com/TotalMount-Apple-Universal-Mounting-Kit/dp/B0057CVH6W/ref=sr_1_1?ie=UTF8&qid=1391473446&sr=8-1&keywords=TOTALMOUNT.

Innovelis, Inc. Product—TotalMount—Roku Mounting Kit, downloaded from Amazon.com on Feb. 3, 2014, first available on Amazon.com on Jun. 14, 2012: http://www.amazon.com/TotalMount-ROKU-UNIVERSAL-MOUNTING-COMPATIBLE/dp/B008B1125W/ref=sr_1_2?ie=UTF8&qid=1391473922&sr=8-2&keywords=totalmount.

Innovelis, Inc. Product—TotalMount—Remote Holder, downloaded from Amazon.com on Feb. 3, 2014, first available on Amazon.com on Jul. 2, 2013: http://www.amazon.com/Apple-TV-Remote-Holder-TotalMount/dp/B00DR76YJO/ref=sr_1_3?ie=UTF8&qid=1391474218&sr=8-3&keywords=totalmount.

Innovelis, Inc. Product—TotalMount—AirPort Express Mounting Kit, downloaded from Amazon.com on Feb. 3, 2014, first available on Amazon.com in approximately Sep. 2012: http://www.amazon.com/TotalMount-AirPort-Express-Mounting-Kit/dp/B009HC7BL8/ref=sr_1_4?ie=UTF8&qid=1391474218&sr=8-4&keywords=totalmount.

Innovelis, Inc. Product—TotalMount—Roku Mounting Kit (Version 1), downloaded from Amazon.com on Feb. 3, 2014, first available on Amazon.com on Jan. 19, 2012: http://www.amazon.com/TotalMount-ROKU-MOUNTING-Compatible-Roku/dp/B006ZS4R46/ref=sr_1_5?ie=UTF8&qid=1391474218&sr=8-5&keywords=totalmount.

Innovelis, Inc. Product—TotalMount—AirPort Extreme Mounting Kit, downloaded from Amazon.com on Feb. 3, 2014, first available on Amazon.com in approximately Apr. 2013: http://www.amazon.com/TotalMount-Compatible-generations-compatible-generation/dp/B00CK2CDLK/ref=sr_1_7?ie=UTF8&qid=1391474218&sr=8-7&keywords=totalmount.

Innovelis, Inc. Product—TotalMount—Vizio Mounting Kit, downloaded from Amazon.com on Feb. 3, 2014, first available on Amazon.com in approximately May 2013: http://www.amazon.com/TotalMount-VIZIO-Co-Star-Mounting-Kit/dp/B00GDMXSZ8/ref=sr_1_10?ie=UTF8&qid=1391474218&sr=8-10&keywords=totalmount.

Innovelis, Inc. Product—TotalMount—Amazon Fire TV Mounting System, downloaded from Amazon.com on Mar. 7, 2016, first available on Amazon.com in approximately Jul. 2014 http://www.amazon.com/TotalMount-VIZIO-Co-Star-Mounting-Kit/dp/B00GDMXSZ8/ref=sr_1_10?ie=UTF8&qid=1391474218&sr=8-10&keywords=totalmount.

Amazon Fire TV, downloaded on Jun. 2, 2014 from <http://www.amazon.com/Fire-TV-streaming-media-player/dp/B00CX5P8FC>.

(56)

References Cited

OTHER PUBLICATIONS

Logitech HD Pro Webcam C910, downloaded on Oct. 9, 2014 from http://www.amazon.com/Logitech-Webcam-C910-1080p-Video/dp/B003M2YT96/ref=sr_1_6?ie=UTF8&qid=1287528024&sr=8-6.

HP KQ246AA 8.0 MP Deluxe Webcam, downloaded on Oct. 9, 2014 from http://www.amazon.com/HP-KQ246AA-8-0-Deluxe-Webcam/dp/B001D8AGA2/ref=sr_1_4?ie=UTF8&qid=1410543707&sr=8-4&keywords=hp+webcam.

Logitech Webcam C200, downloaded on Oct. 9, 2014 from http://www.amazon.com/Logitech-960-000415-Webcam-C200/dp/B002GP7ZTQ/ref=pd_cp_pc_0.

USB 6 LED PC Webcam, downloaded on Oct. 9, 2014 from http://www.amazon.com/Webcam-Camera-Night-Vision-Meeting/dp/B00MTGV4F8/ref=sr_1_88?s=electronics&ie=UTF8&qid=1410543946&sr=1-88&keywords=webcam+clamp.

Twelve South—HiRise Owner's Guide (showing additional details regarding the product shown in U.S. Pat. No. D713,399), available at least as early as Aug. 8, 2013.

* cited by examiner

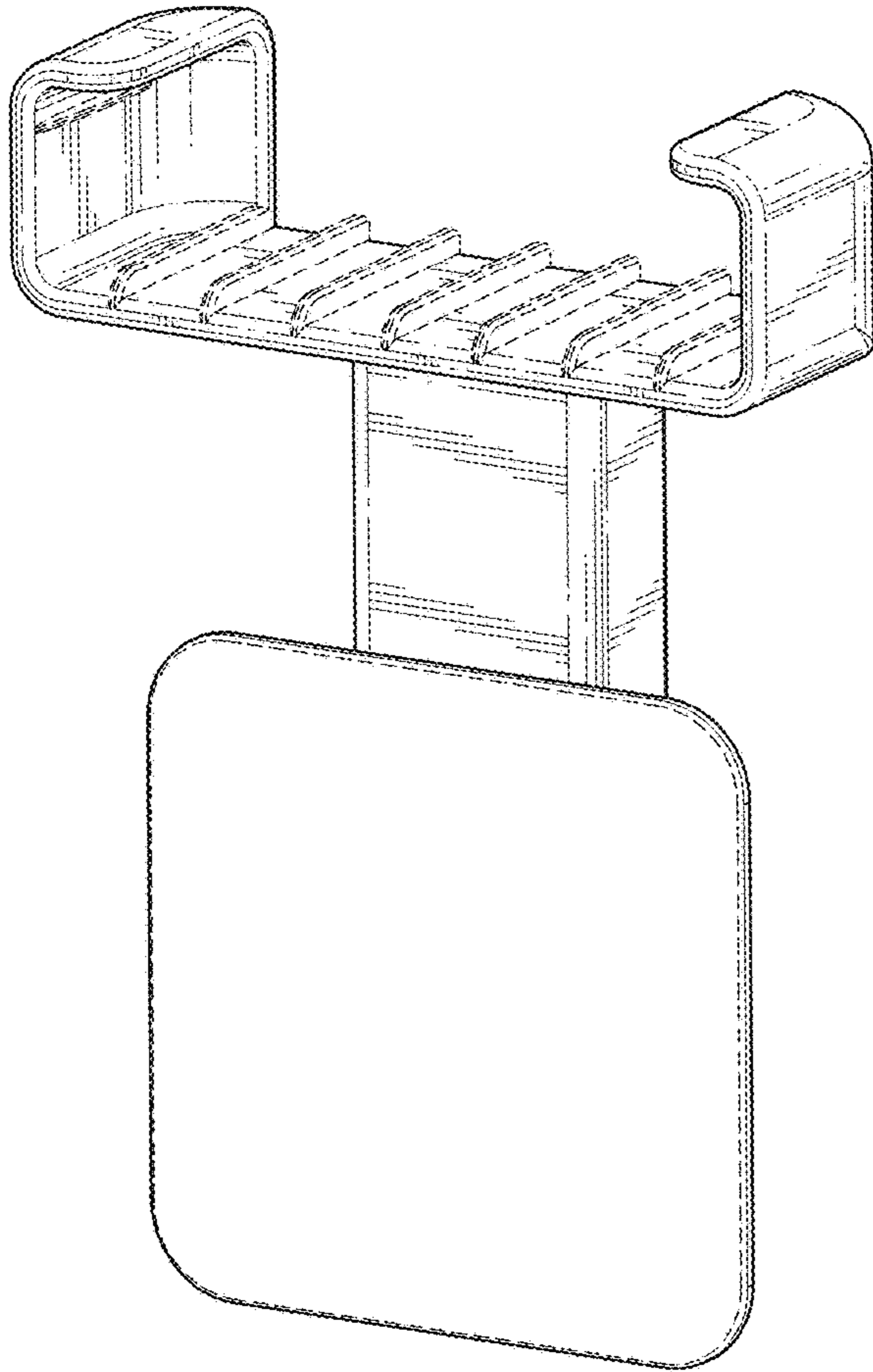


FIG. 1

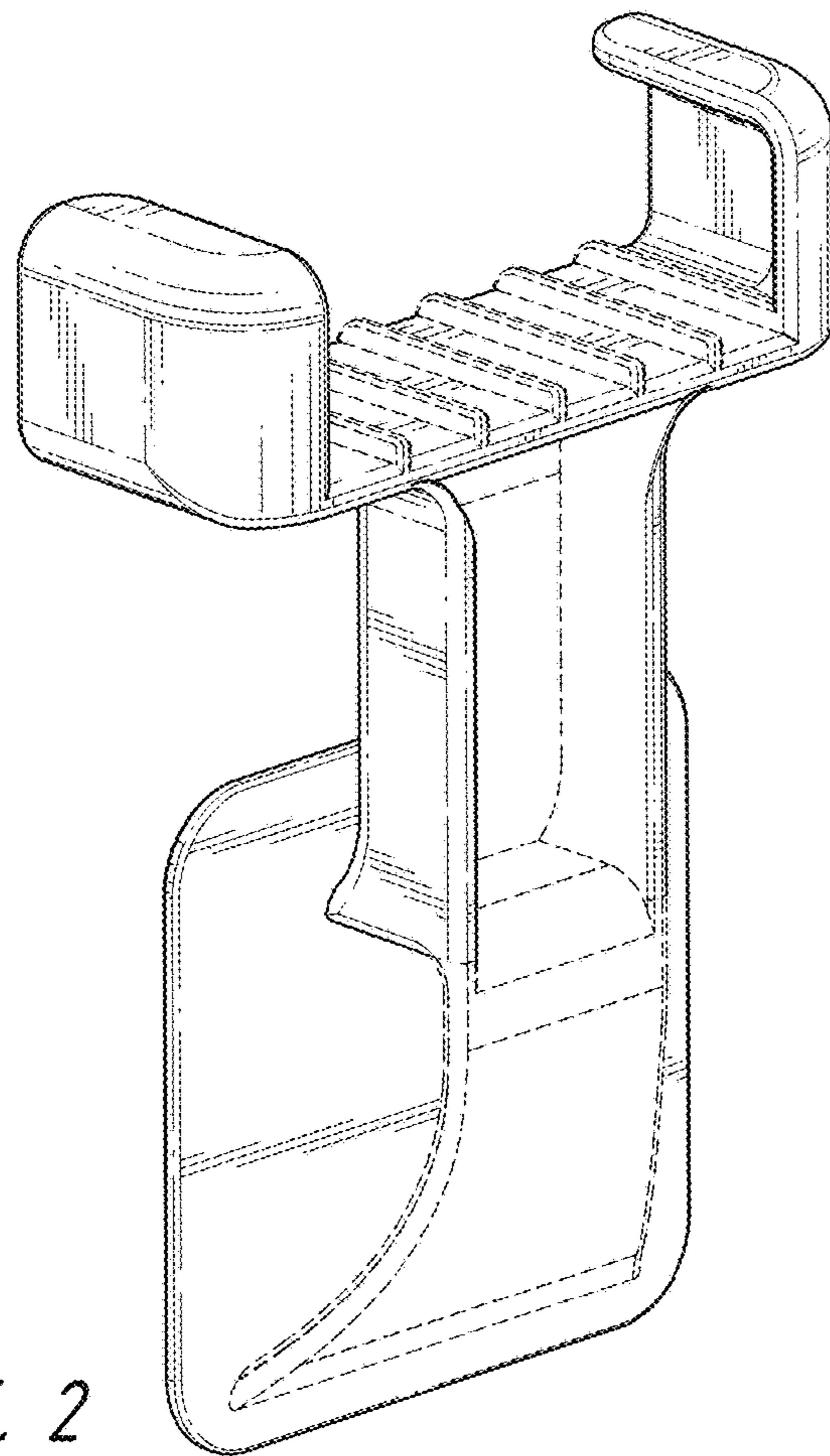


FIG. 2

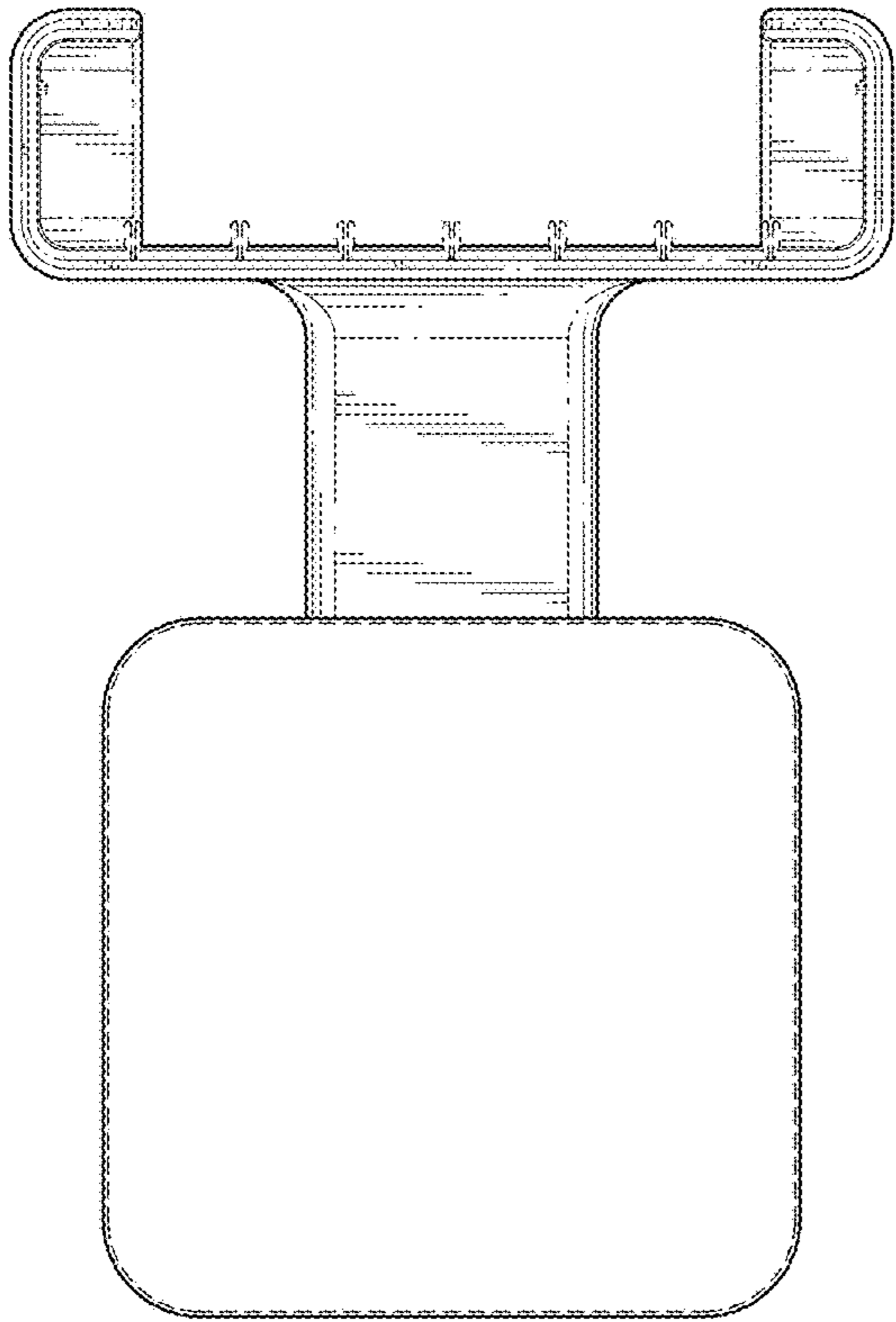


FIG. 3

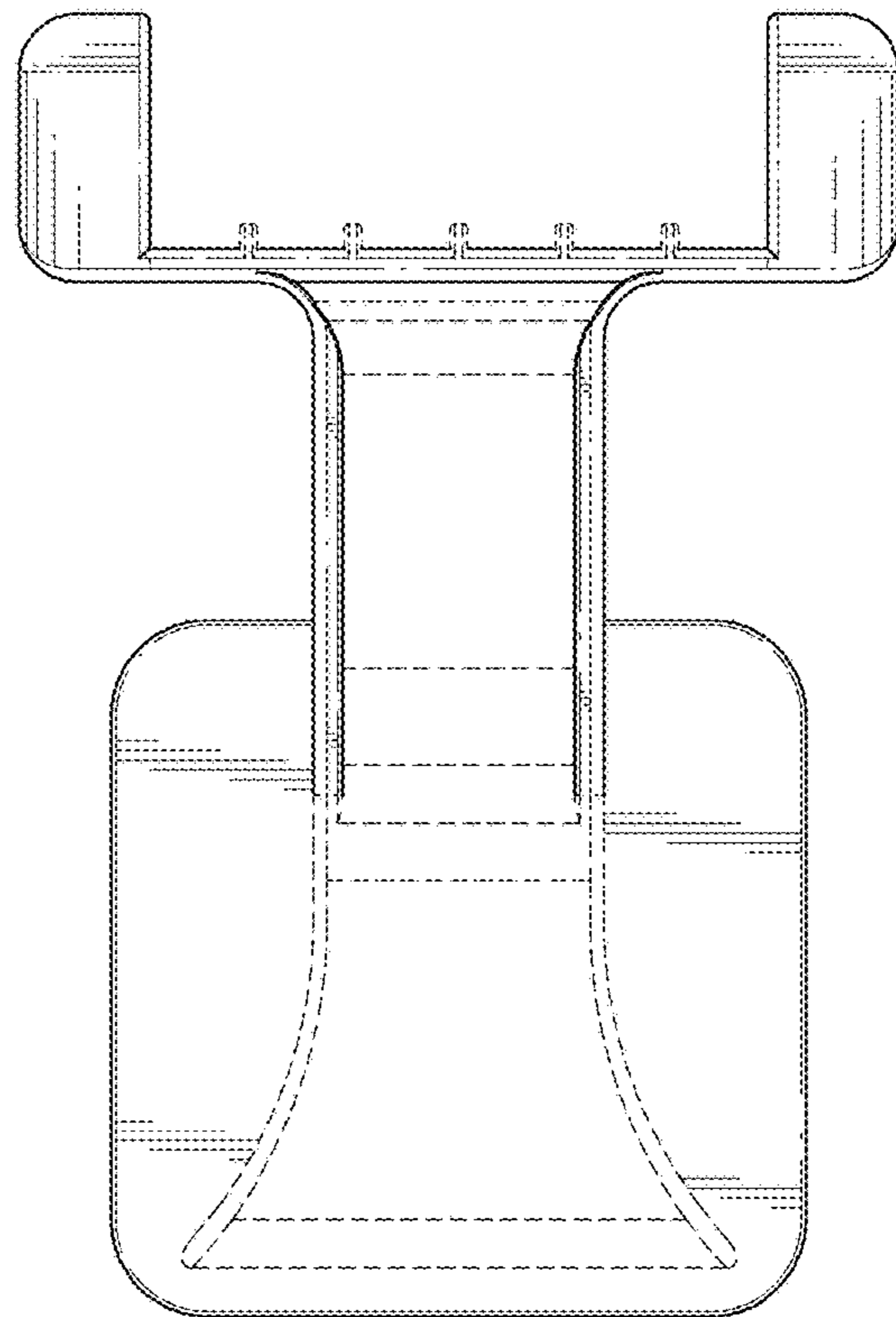


FIG. 4

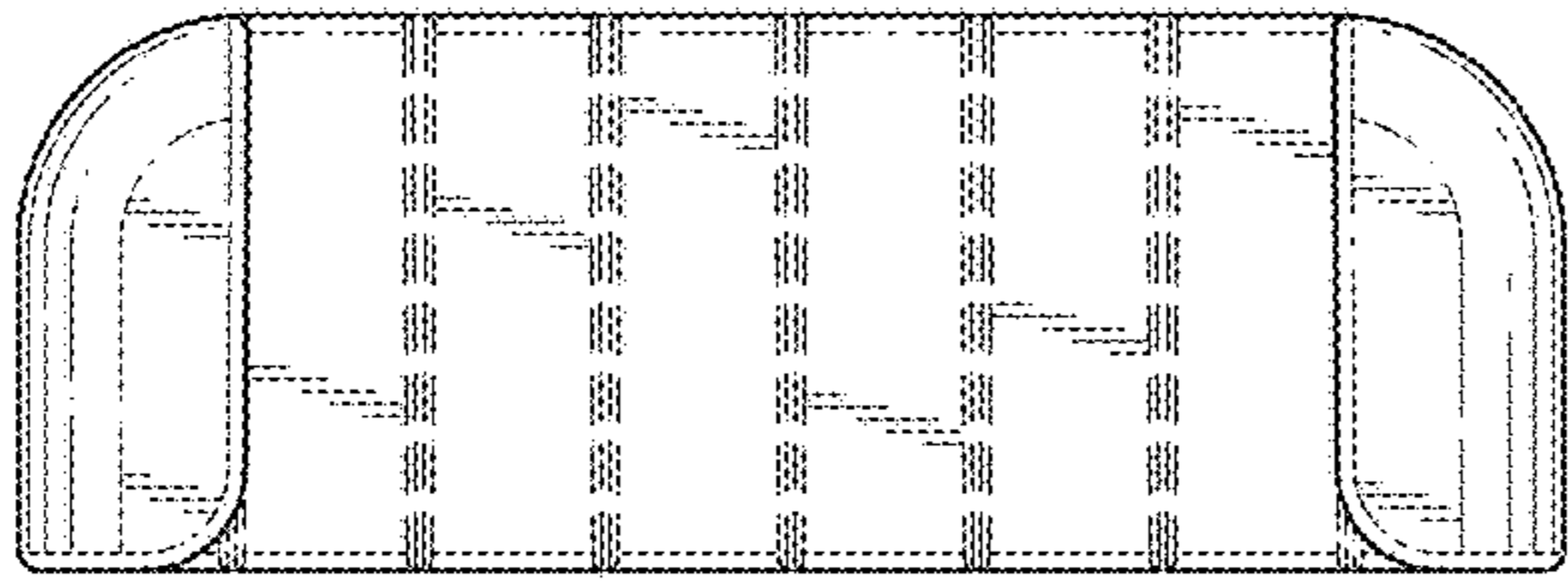


FIG. 5

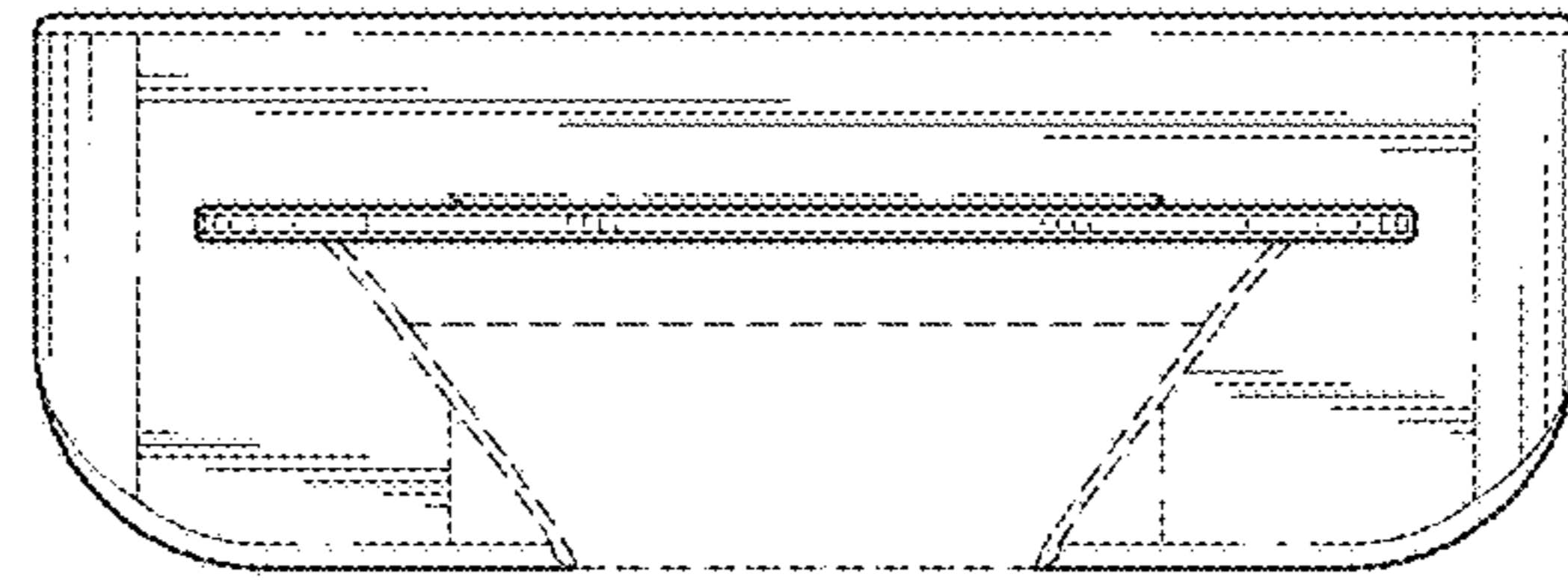


FIG. 6

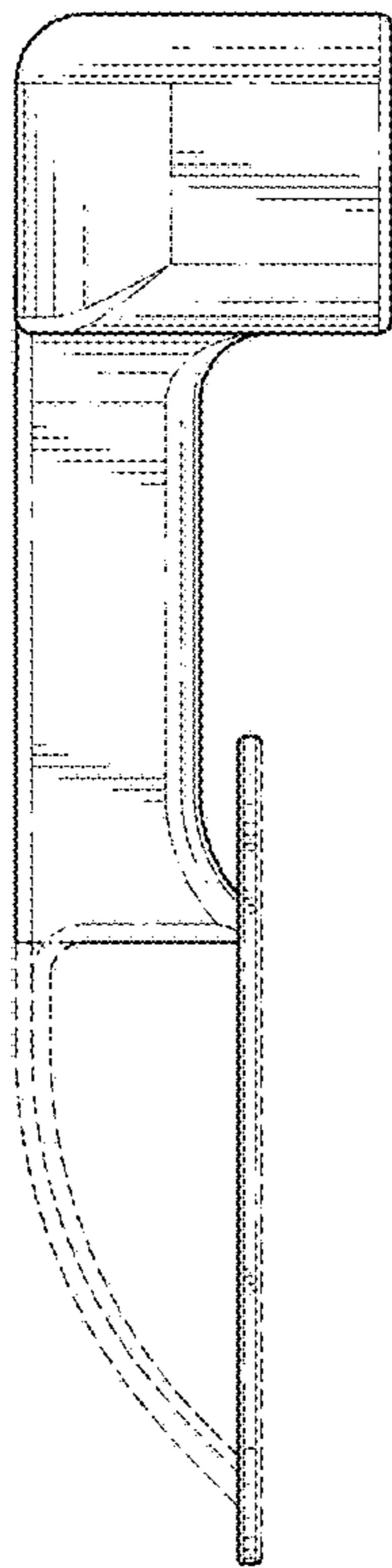


FIG. 7

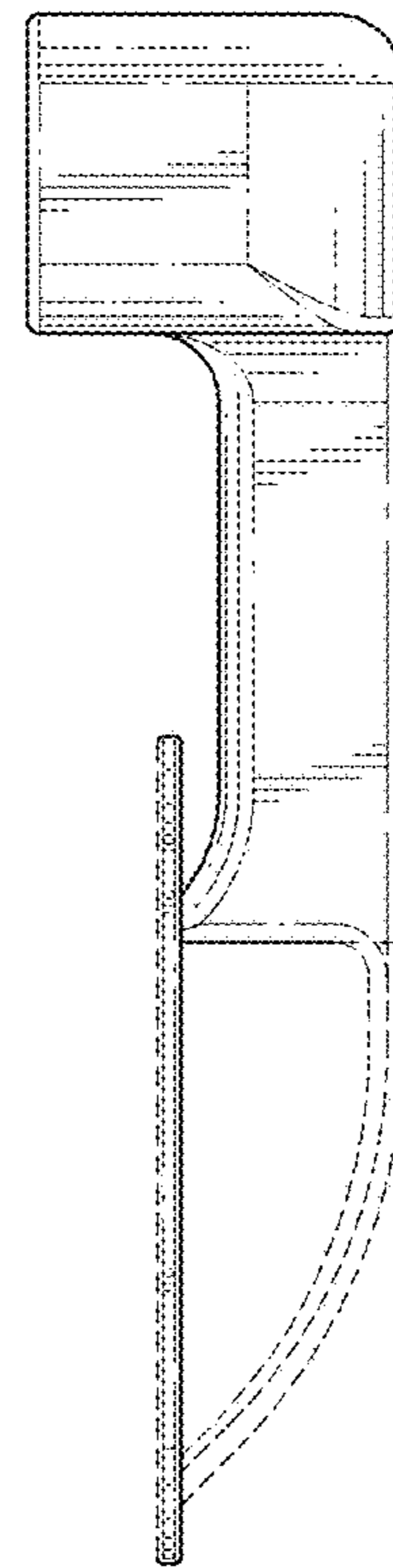


FIG. 8