



US00D797749S

(12) **United States Design Patent** (10) **Patent No.:** **US D797,749 S**
Awad et al. (45) **Date of Patent:** **** Sep. 19, 2017**

(54) **MOBILE COMPUTING SUPPORT SYSTEM**

(71) Applicant: **MAGIC LEAP, INC.**, Dania Beach, FL (US)

(72) Inventors: **Haney Awad**, Fort Lauderdale, FL (US); **Bradley Fraser**, Miami Beach, FL (US); **William Wheeler**, Fort Lauderdale, FL (US); **Shigeru Natsume**, Weston, FL (US)

(73) Assignee: **MAGIC LEAP, INC.**, Plantation, FL (US)

(**) Term: **15 Years**

(21) Appl. No.: **29/575,028**

(22) Filed: **Aug. 22, 2016**

(51) **LOC (10) Cl.** **08-07**

(52) **U.S. Cl.**
USPC **D14/447**

(58) **Field of Classification Search**
USPC D14/447, 432, 434, 439, 440, 451, 452, D14/457, 239; D8/363, 373, 380; D6/406.3, 406.4, 406.5, 406.6; D12/415
CPC A47B 21/04; A47B 2097/006; A47B 2097/005; A47B 2023/049; A45C 2011/002; A45C 2011/003; F16M 2200/00; F16M 13/00
See application file for complete search history.

(56) **References Cited**

U.S. PATENT DOCUMENTS

D519,504 S * 4/2006 Tagliabue D14/356
D671,924 S * 12/2012 Choi D14/239

D673,528 S * 1/2013 Trotsky D14/217
D719,959 S * 12/2014 Vogel D14/447
D722,603 S * 2/2015 Lay D14/447
D725,660 S * 3/2015 Trotsky D14/447
D748,639 S * 2/2016 Khodapanah D14/447
D752,054 S * 3/2016 Baumann D14/447
D756,366 S * 5/2016 Floersch D14/447
D765,084 S * 8/2016 Akana D14/439
D768,635 S * 10/2016 Due D14/432
D773,325 S * 12/2016 Browning D10/74
D776,667 S * 1/2017 Fujioka D14/447

* cited by examiner

Primary Examiner — Angela J Lee

(74) *Attorney, Agent, or Firm* — Vista IP Law Group, LLP

(57) **CLAIM**

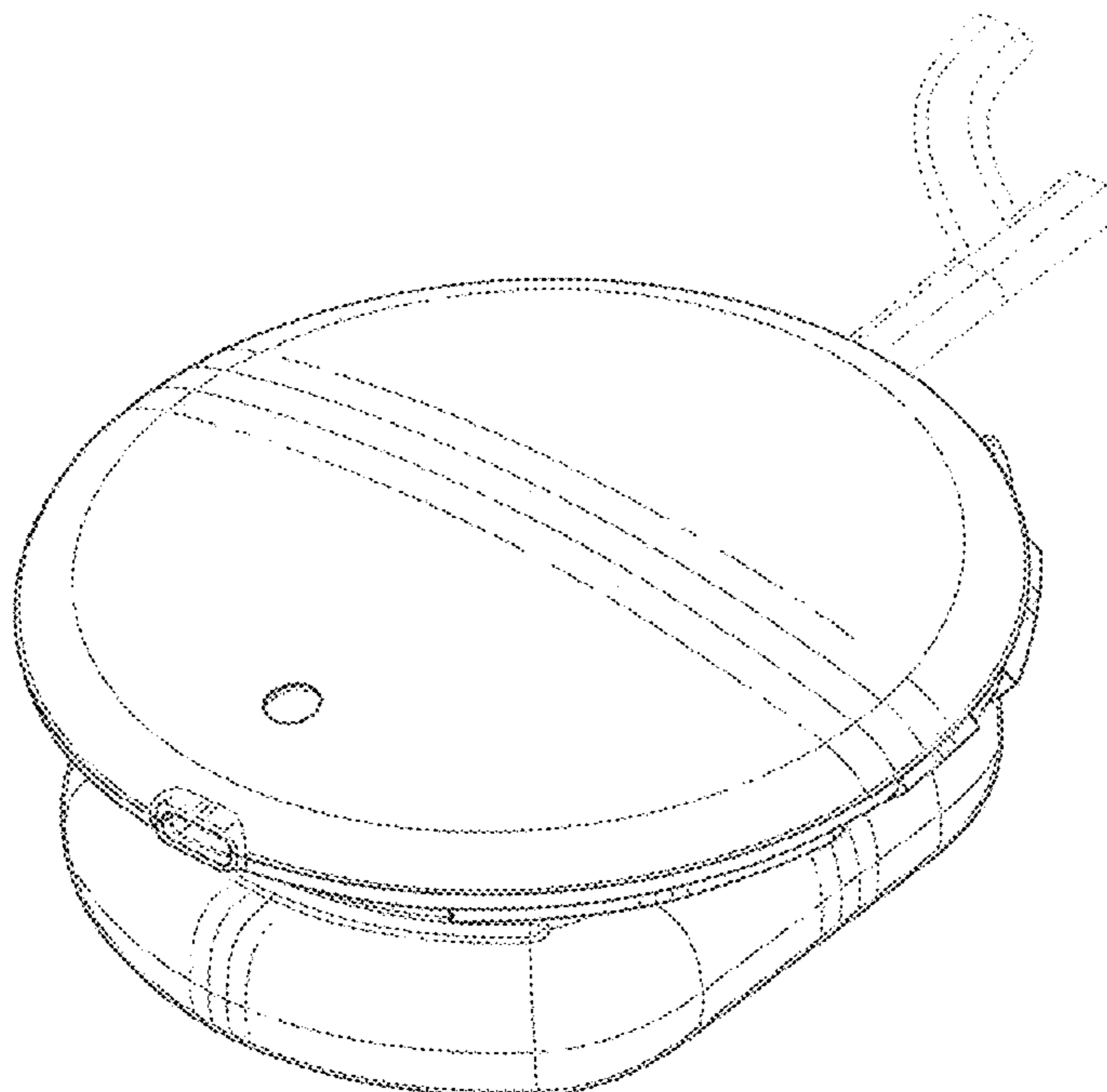
We claim the ornamental design for a mobile computing support system, as shown and described.

DESCRIPTION

FIG. 1 is a front perspective view of a mobile computing support system showing our design; FIG. 2 is a bottom view thereof; FIG. 3 is a top view thereof; FIG. 4 is a right side view thereof; FIG. 5 is a left side view thereof; FIG. 6 is a front view thereof; and, FIG. 7 is a rear view thereof.

The broken lines shown in the figures show portions of the mobile computing support system that form no part of the claimed design.

1 Claim, 7 Drawing Sheets



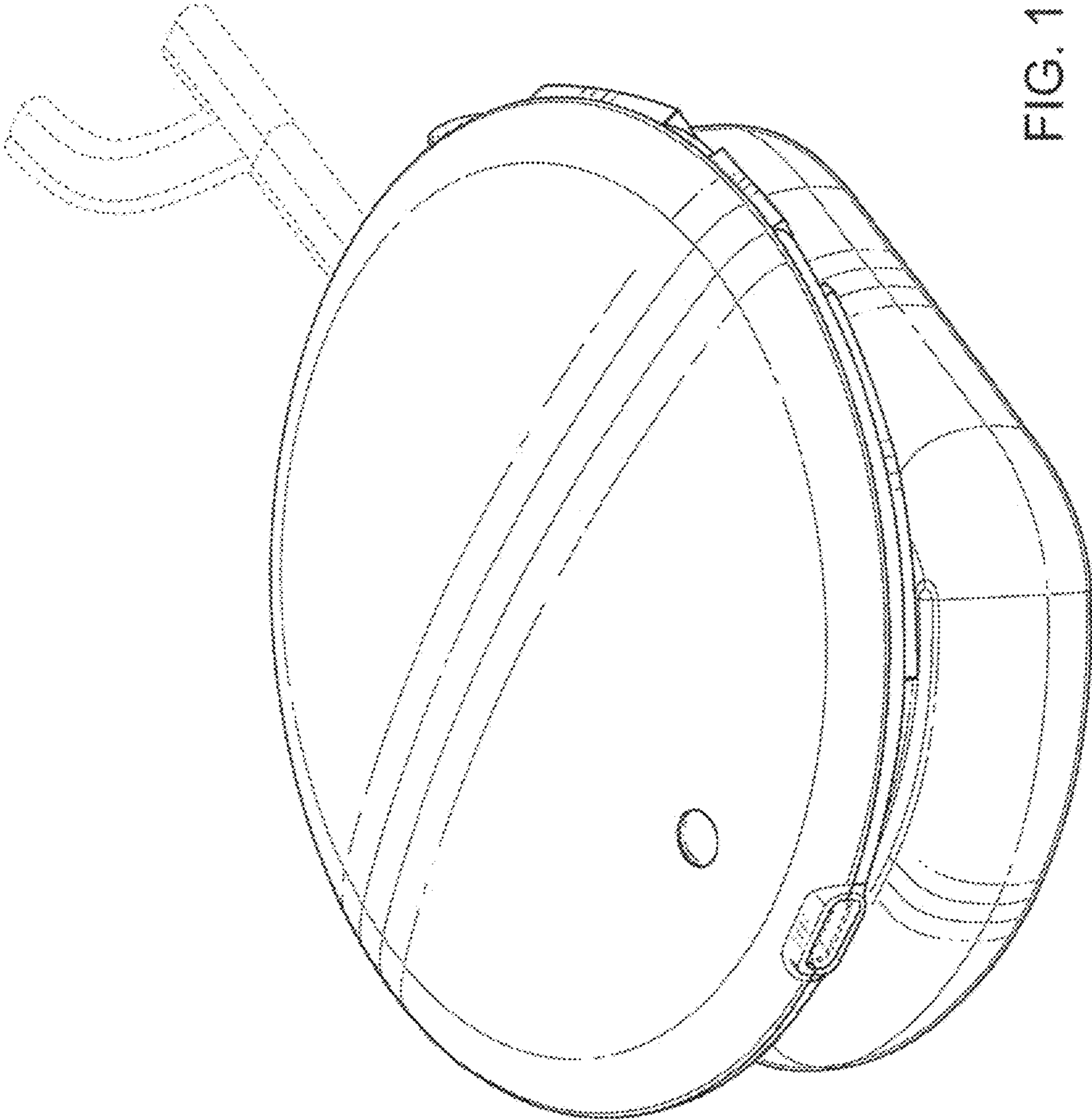


FIG. 1

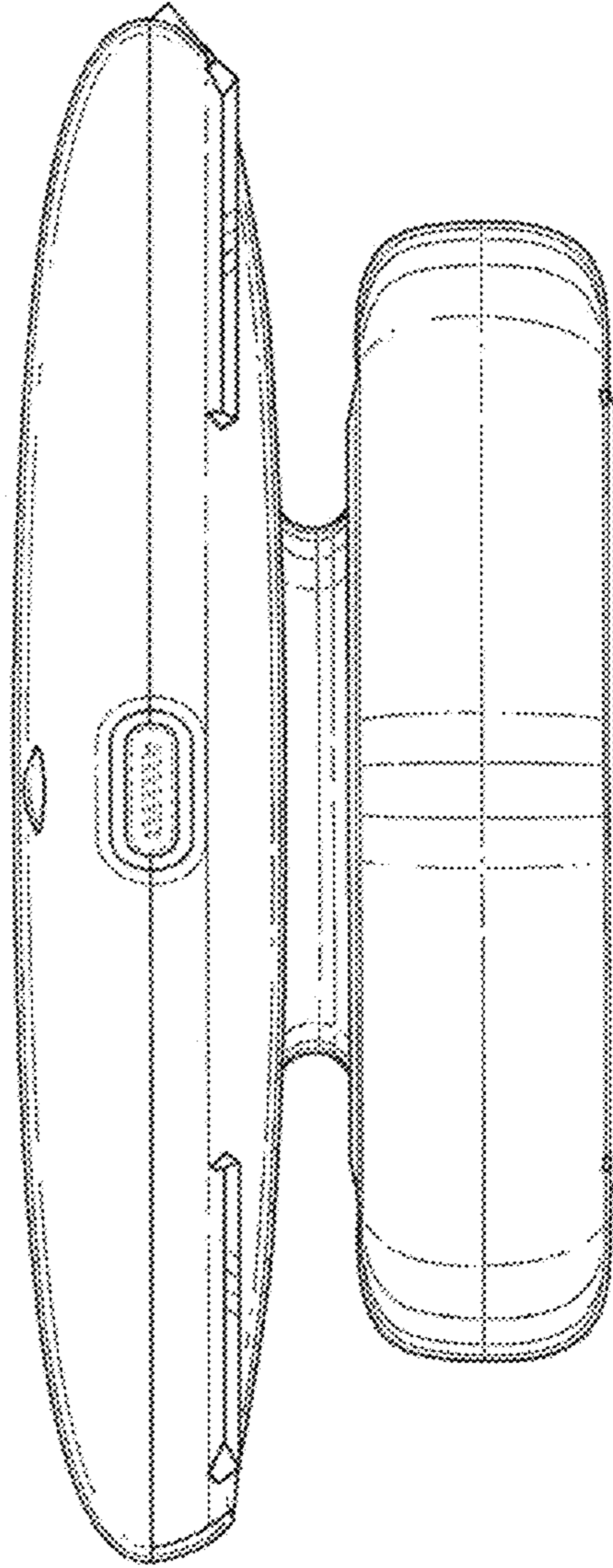


FIG. 2

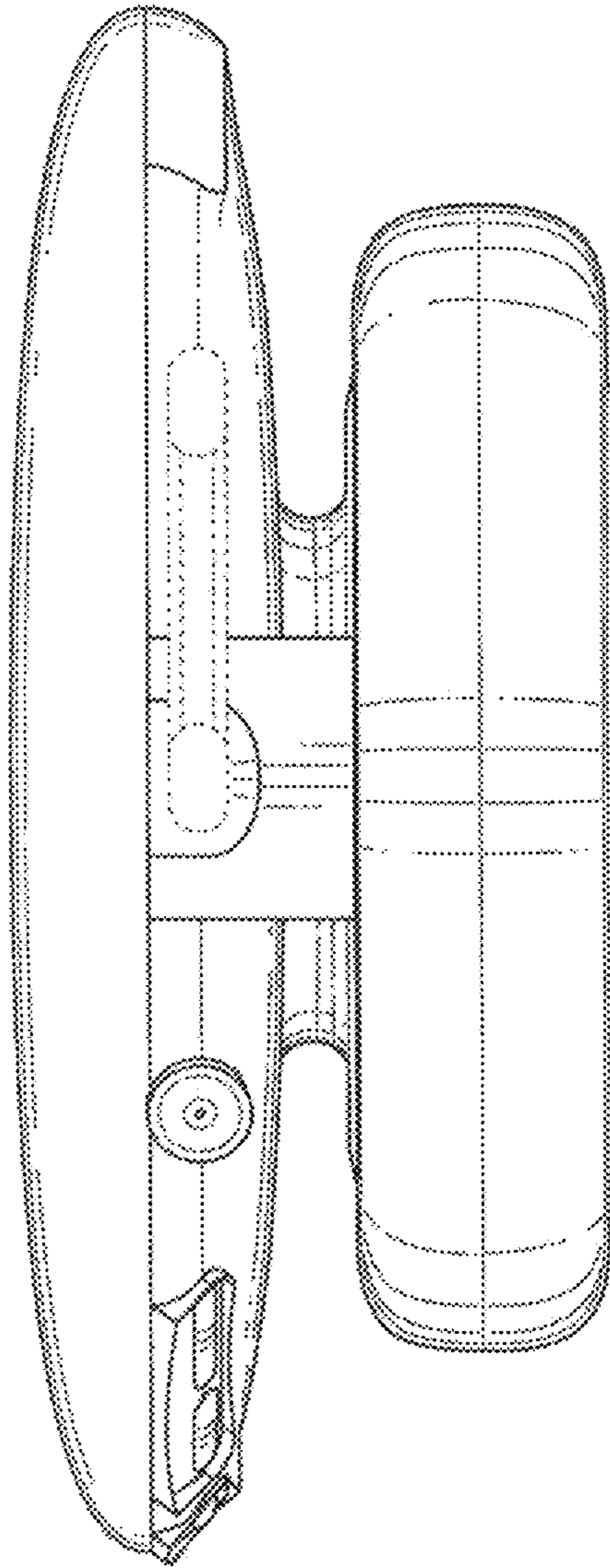


FIG. 3

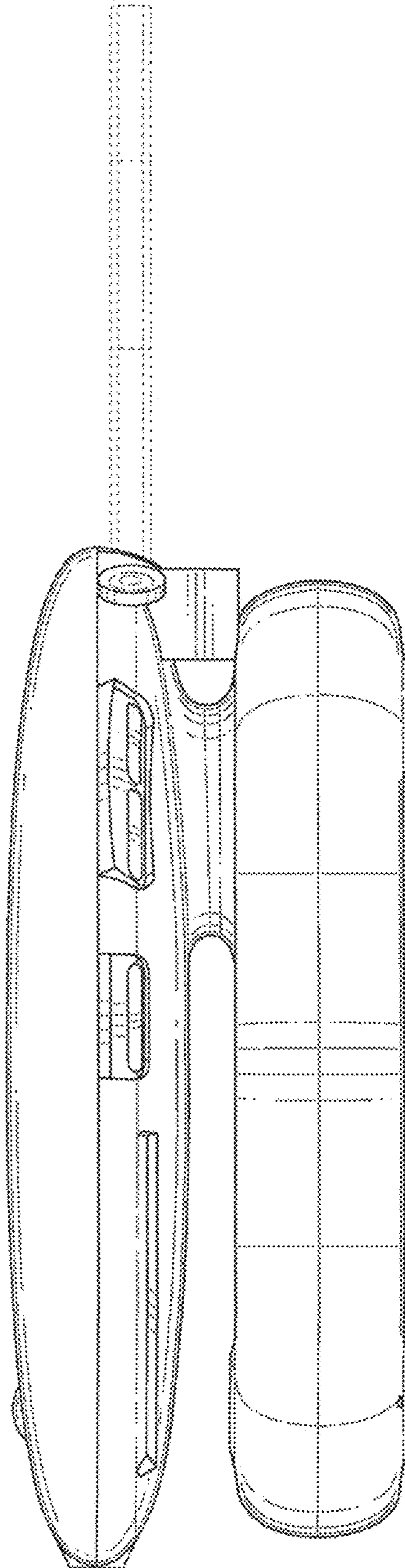


FIG. 4

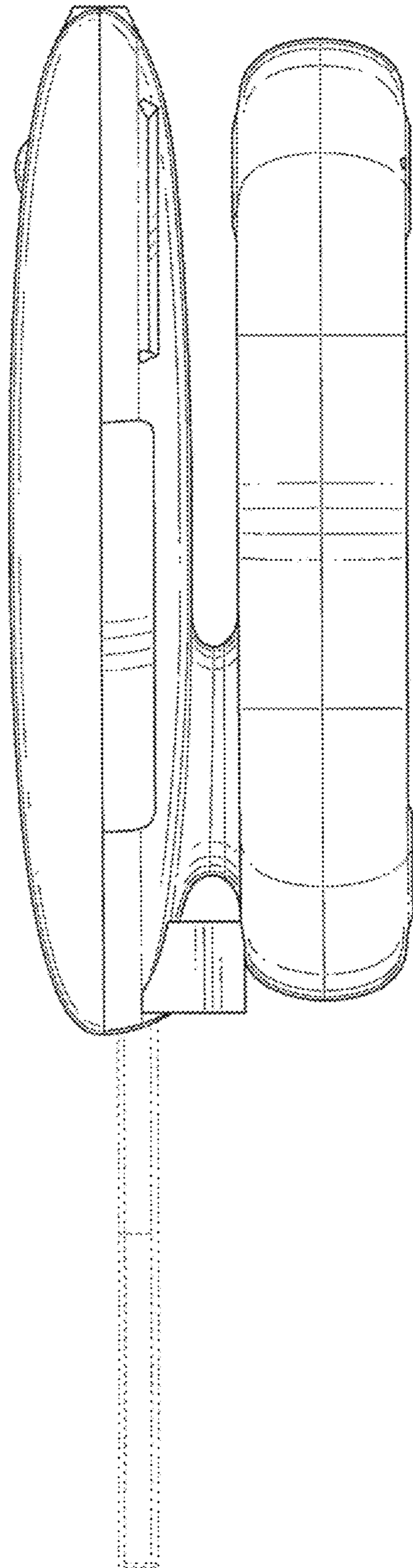


FIG. 5

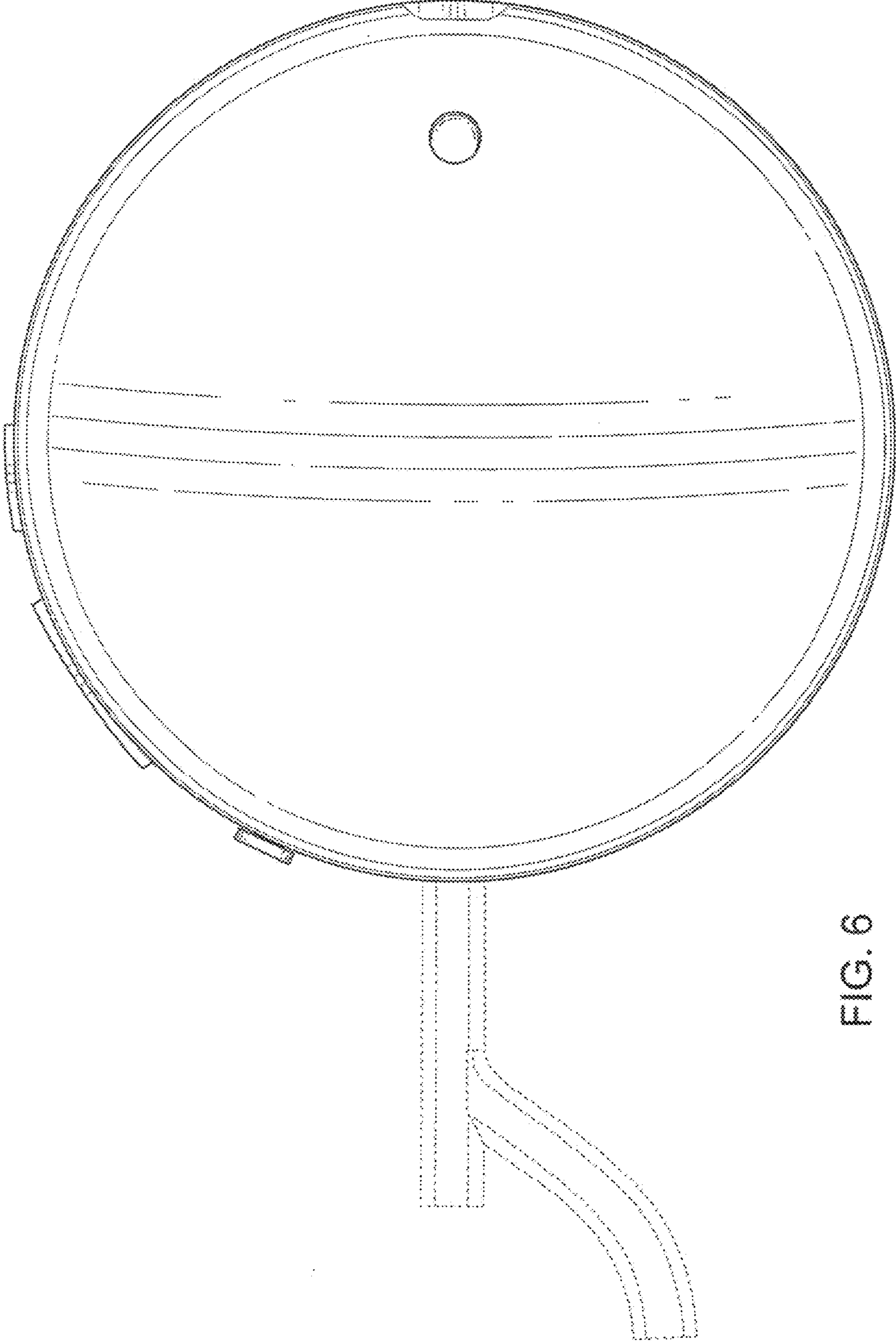


FIG. 6

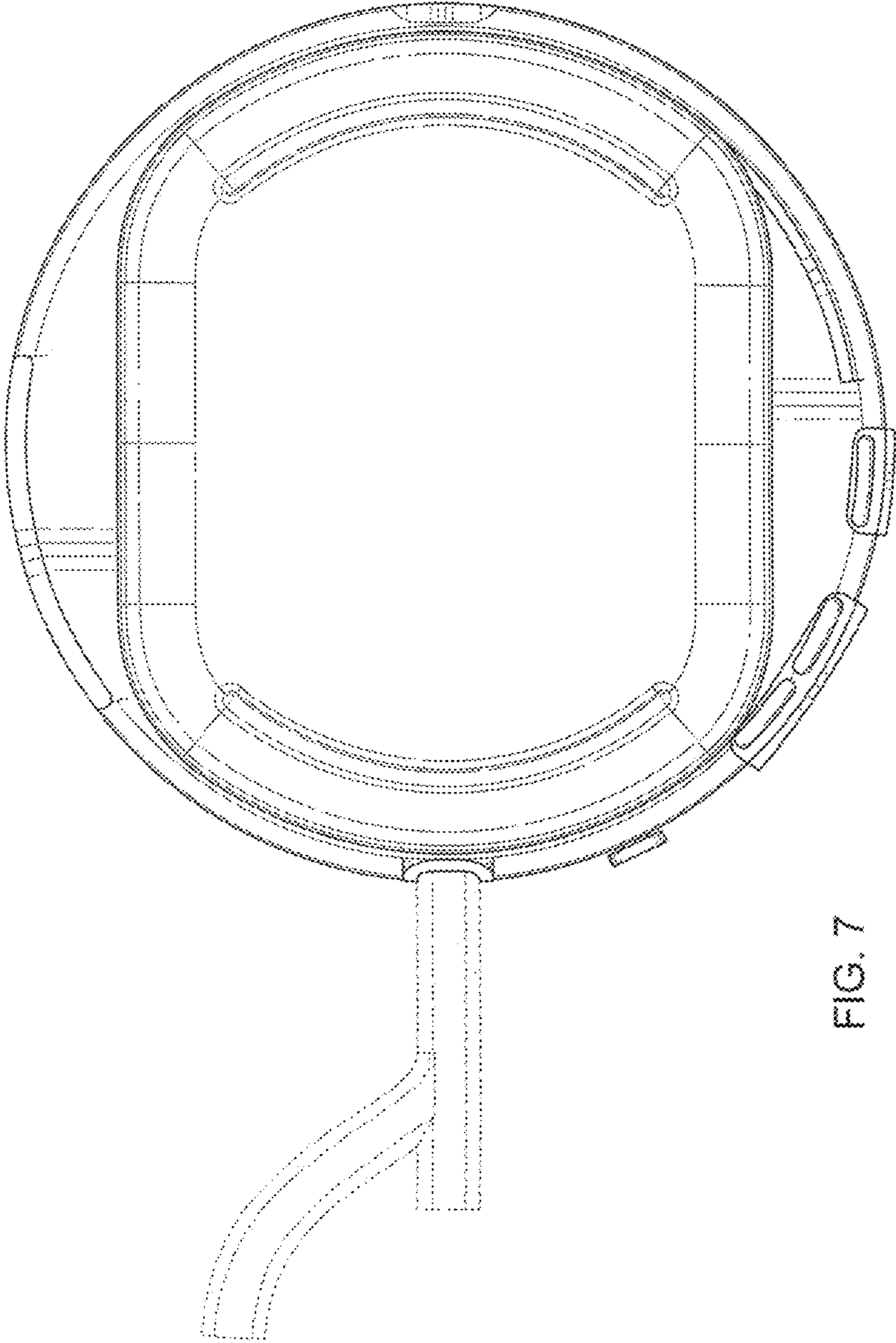


FIG. 7