



US00D797747S

(12) **United States Design Patent** (10) **Patent No.:** **US D797,747 S**
Xu (45) **Date of Patent:** **** Sep. 19, 2017**

(54) **ADAPTER**

(71) Applicant: **FOXCONN INTERCONNECT TECHNOLOGY LIMITED**, Grand Cayman (KY)

(72) Inventor: **Yin-Chao Xu**, Kunshan (CN)

(73) Assignee: **FOXCONN INTERCONNECT TECHNOLOGY LIMITED**, Grand Cayman (KY)

(**) Term: **15 Years**

(21) Appl. No.: **29/589,996**

(22) Filed: **Jan. 6, 2017**

(30) **Foreign Application Priority Data**

Jul. 8, 2016 (CN) 2016 3 0309702

(51) **LOC (10) Cl.** **14-02**

(52) **U.S. Cl.**
USPC **D14/433**

(58) **Field of Classification Search**
USPC D14/356, 432-434, 453, 454, 511, 203.8, D14/209.1, 238.1, 240, 125; 439/638, 439/928, 105, 502; 710/303, 304; 361/679.41, 679.55, 679.56; D13/110, D13/133, 146
CPC H01R 24/64; H01R 24/62; H01R 12/714; H01R 13/506; H01R 13/6658
See application file for complete search history.

(56) **References Cited**

U.S. PATENT DOCUMENTS

D454,110 S * 3/2002 Andre D13/110
D531,127 S * 10/2006 Zhong D13/147

D578,991 S * 10/2008 Donovan D14/155
D587,209 S * 2/2009 Tsai D13/147
D604,725 S * 11/2009 Chen D13/184
D618,226 S * 6/2010 Tong D13/133
D618,240 S * 6/2010 Larmour D14/230
D631,883 S * 2/2011 Maier D14/435.1
D665,734 S * 8/2012 Fitch D13/107
D691,095 S * 10/2013 Izen D13/147
9,160,124 B2 * 10/2015 Colahan H01R 31/06
D759,017 S * 6/2016 Schwalbach D14/433
D769,877 S * 10/2016 Akana D14/433
D772,878 S * 11/2016 Chiang D14/433
D781,294 S * 3/2017 Schwalbach D14/433
2007/0293079 A1 * 12/2007 Chao H01R 13/6275
439/352

FOREIGN PATENT DOCUMENTS

CN 203747082 U 7/2014

* cited by examiner

Primary Examiner — Austin Murphy

(74) *Attorney, Agent, or Firm* — Wei Te Chung; Ming Chieh Chang

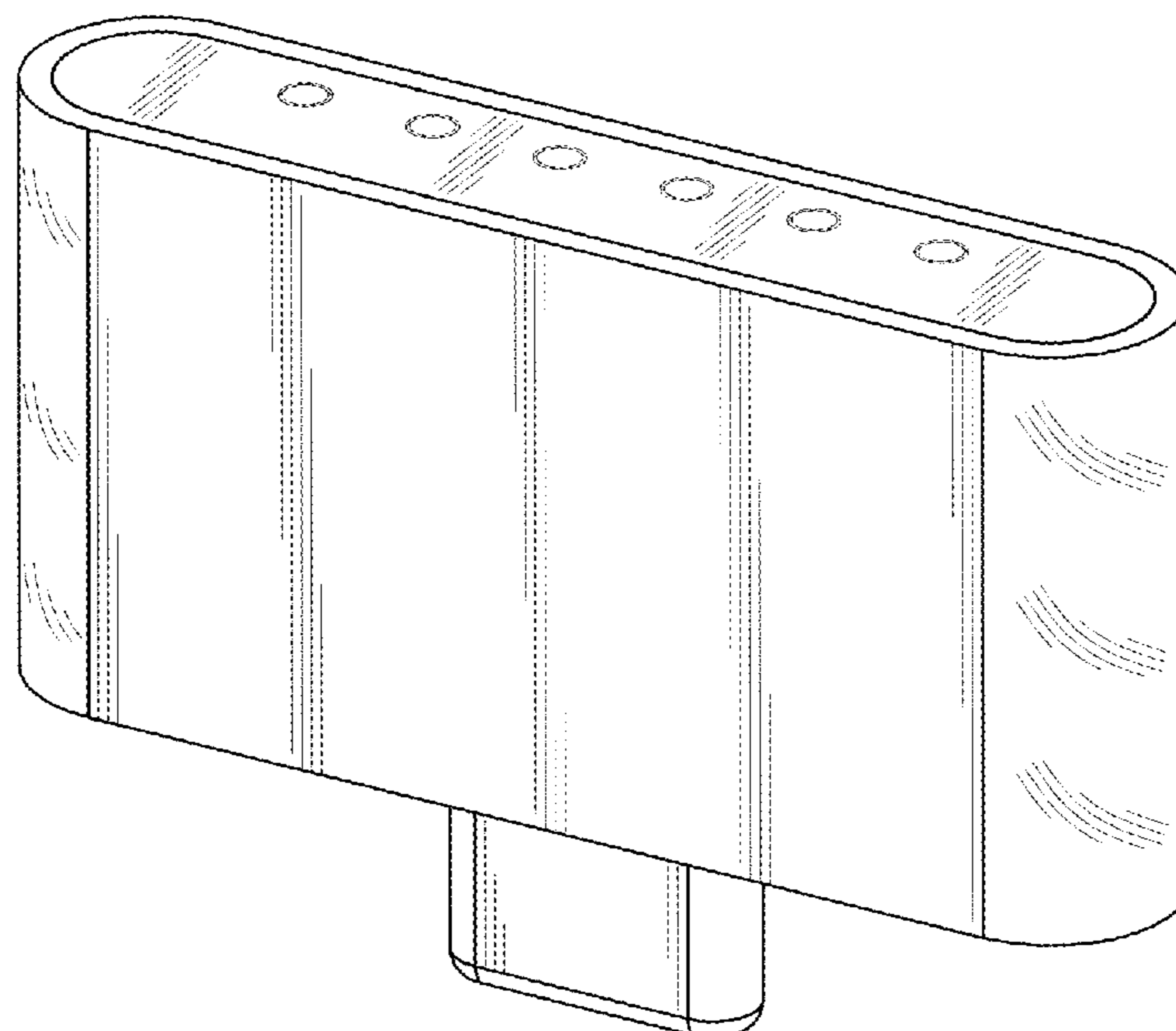
(57) **CLAIM**

The ornamental design is for a adapter, as shown and described.

DESCRIPTION

FIG. 1 is a perspective view of a adapter showing my new design;
FIG. 2 is a front elevational view thereof;
FIG. 3 is a rear elevational view thereof;
FIG. 4 is a left side elevational view thereof;
FIG. 5 is a right side elevational view thereof;
FIG. 6 is a top plan view thereof; and,
FIG. 7 is a bottom plan view thereof.

1 Claim, 7 Drawing Sheets



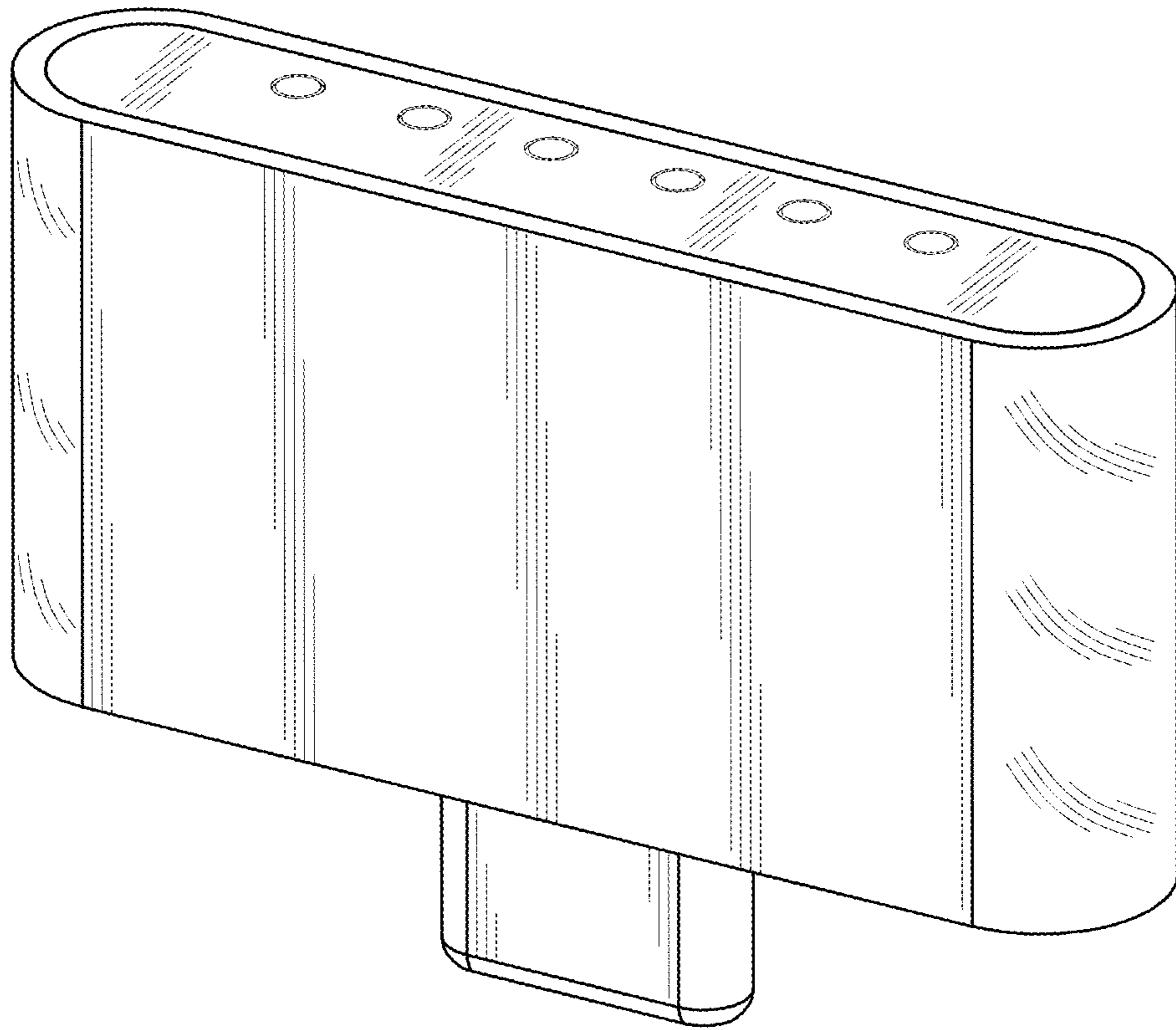


FIG. 1

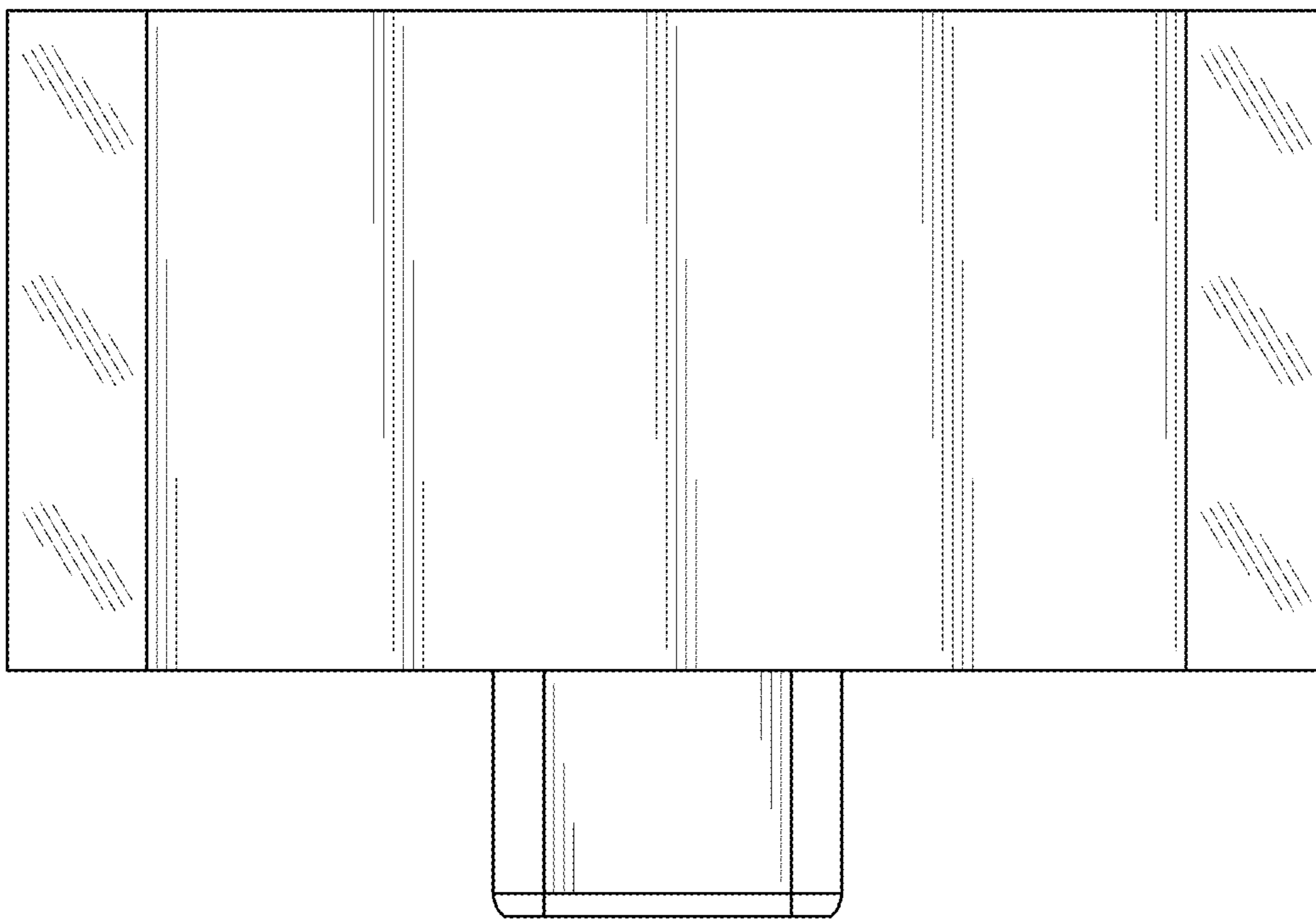


FIG. 2

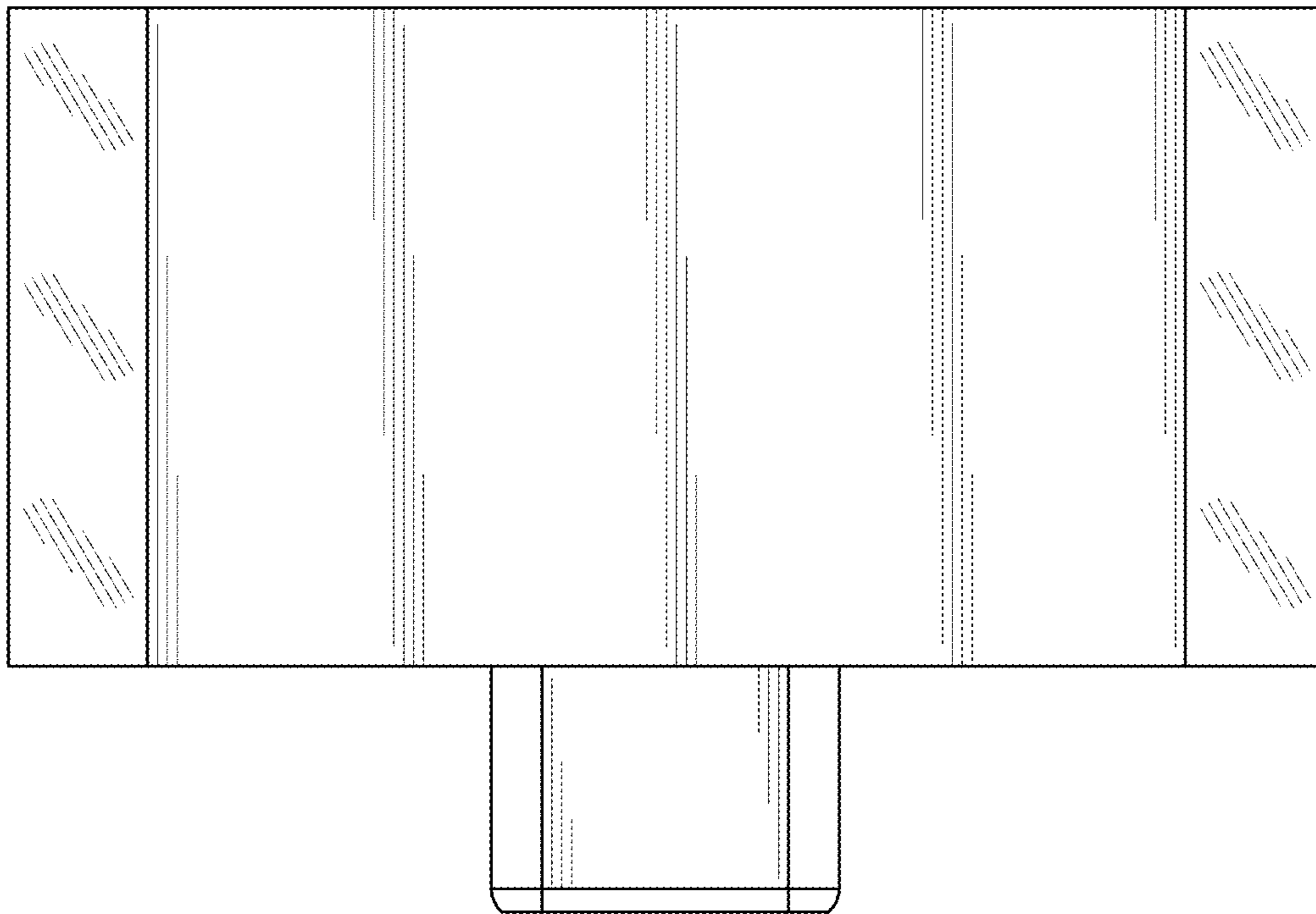


FIG. 3

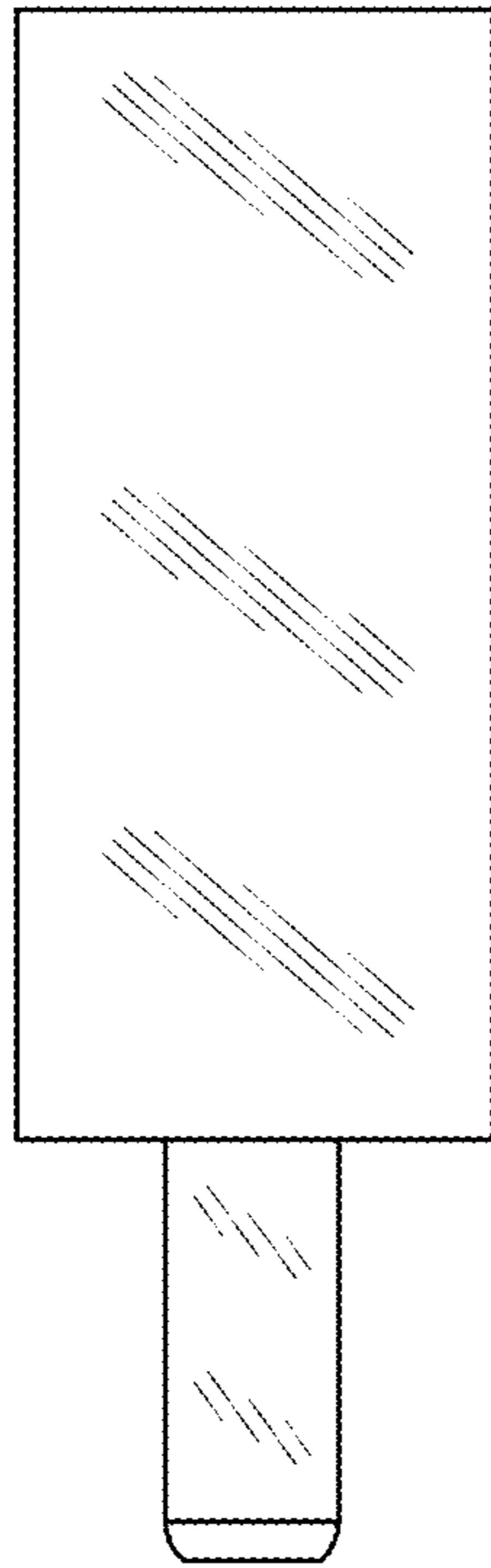


FIG. 4

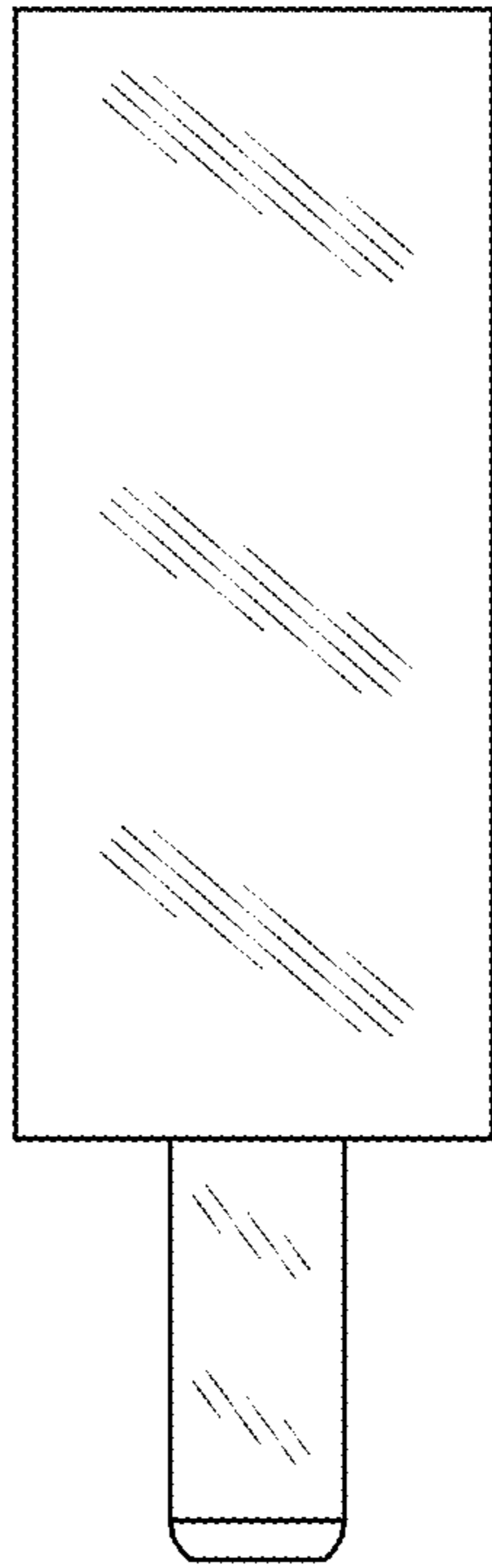


FIG. 5

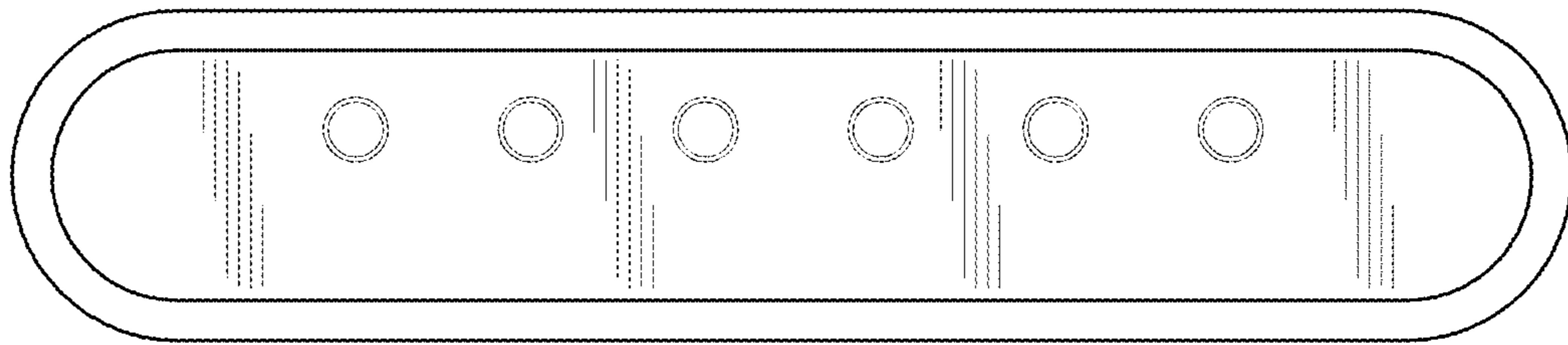


FIG. 6

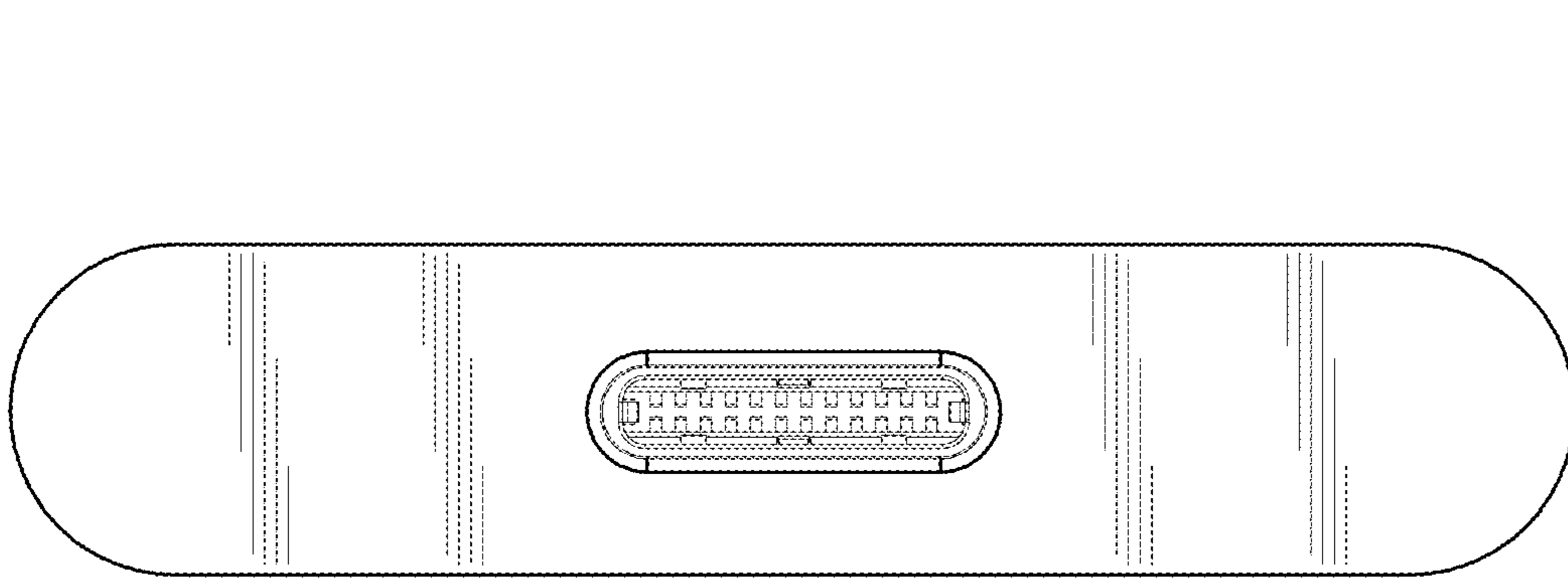


FIG. 7