



US00D797744S

(12) **United States Design Patent**
Tan et al.

(10) **Patent No.:** **US D797,744 S**
(45) **Date of Patent:** **** Sep. 19, 2017**

(54) **IMAGING DEVICE**

B65H 2511/00194; B65H 2511/00198;
B65H 2511/00202; B65H 2511/00206;
B65H

(71) Applicant: **Hewlett-Packard Development Company, L.P.**, Houston, TX (US)

(Continued)

(72) Inventors: **Xie-Jun Tan**, Houston, TX (US);
Michael V. Leman, Boise, ID (US);
Wenbin Zhou, Houston, TX (US)

(56)

References Cited

U.S. PATENT DOCUMENTS

(73) Assignee: **Hewlett-Packard Development Company, L.P.**, Houston, TX (US)

D258,959 S * 4/1981 Clayton D18/54
D292,976 S * 12/1987 Kando D14/150

(Continued)

(**) Term: **15 Years**

Primary Examiner — Susan Moon Lee

(21) Appl. No.: **29/579,570**

(74) *Attorney, Agent, or Firm* — Morgan, Lewis & Bockius LLP

(22) Filed: **Sep. 30, 2016**

(51) **LOC (10) Cl.** **14-02**

(57)

CLAIM

(52) **U.S. Cl.**

The ornamental design for an imaging device, as shown and described.

USPC **D14/422**

(58) **Field of Classification Search**

DESCRIPTION

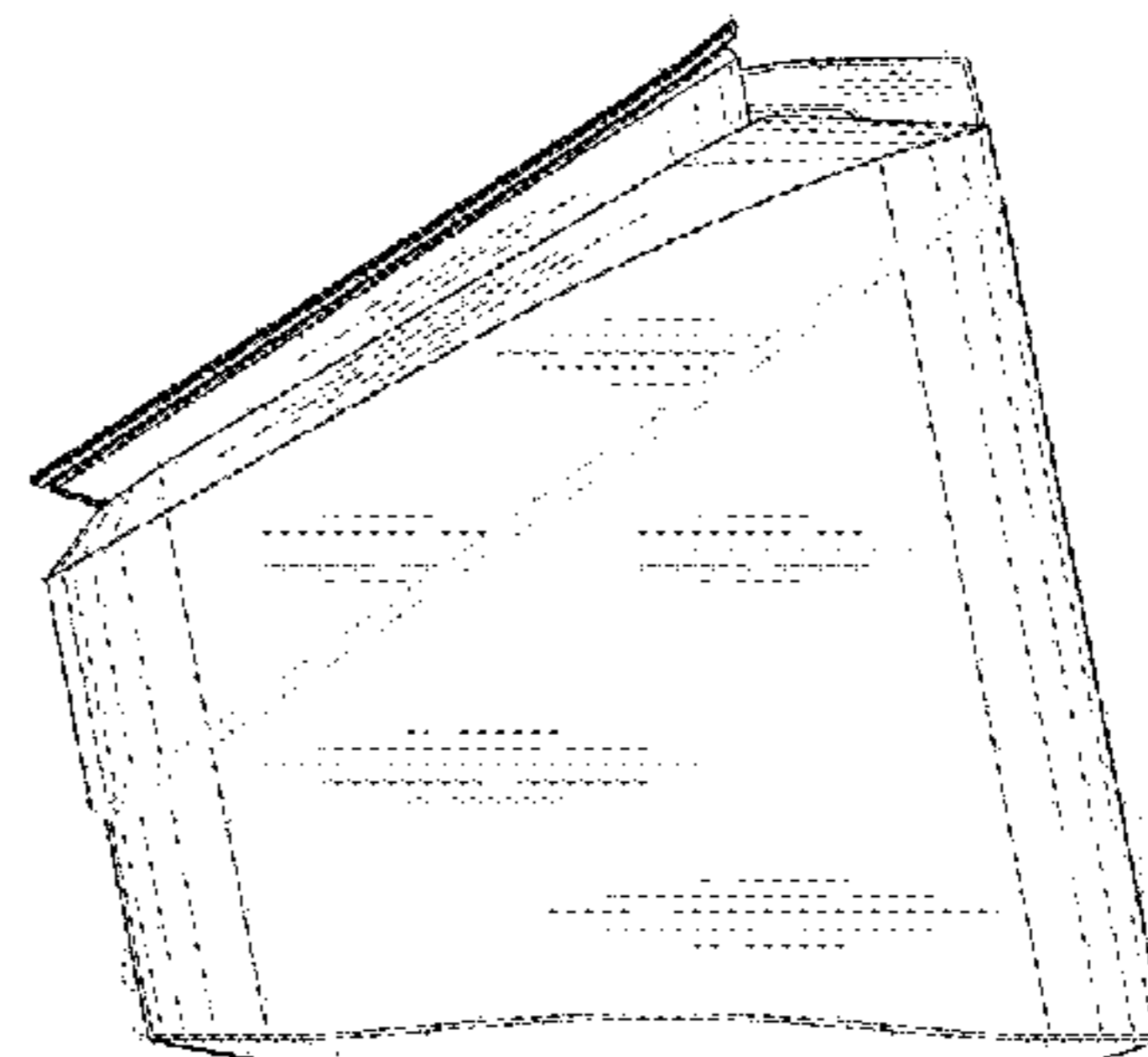
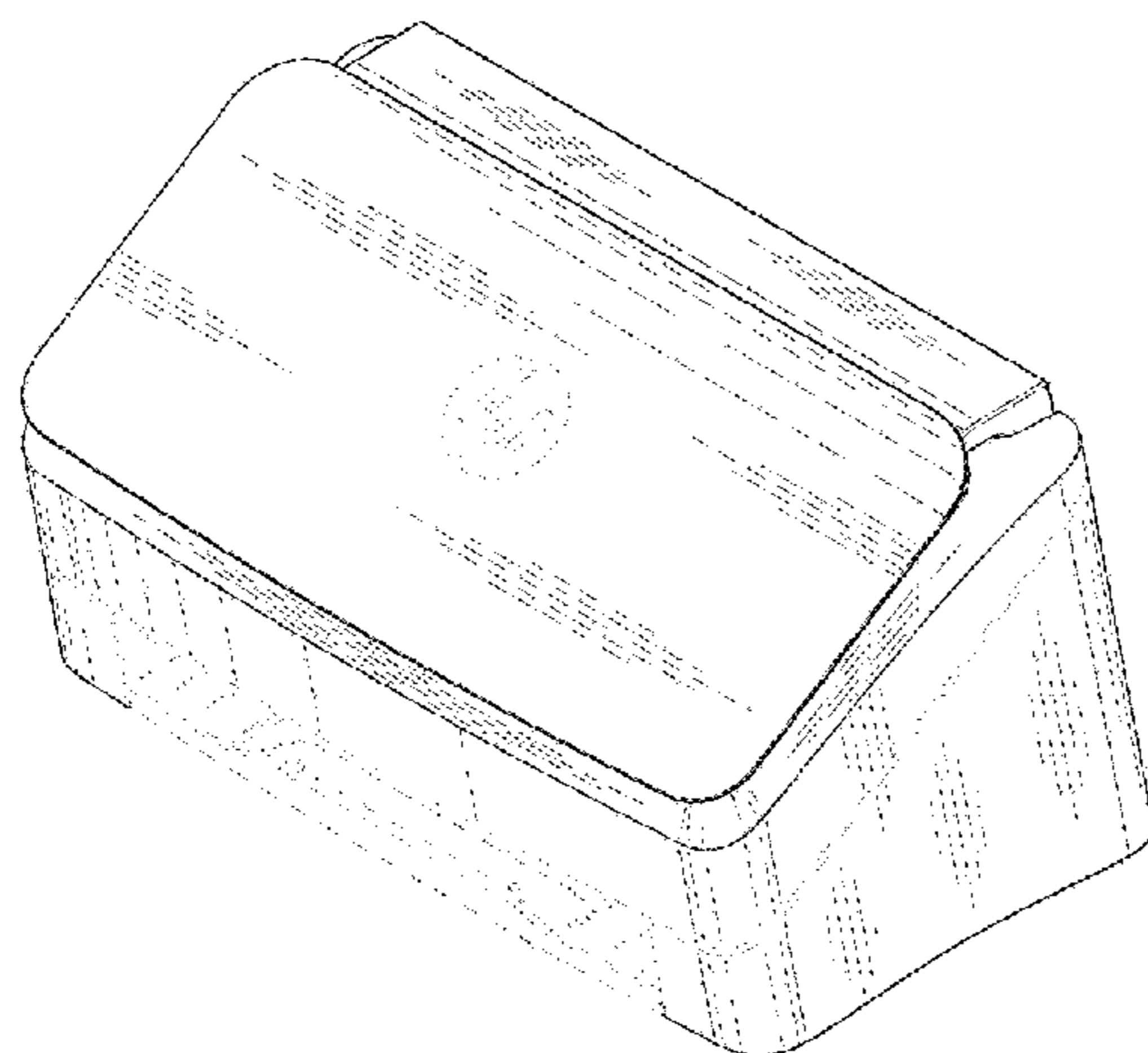
USPC D14/421–425; D18/40, 36–39, 41,
D18/44–56; 235/462, 455, 470, 462.43,
235/482, 483; 358/474, 486, 488, 496,
358/498, 452, 449, 451, 453.1, 1.13;
318/685, 696; 355/81, 75; 399/405, 367,
399/379, 380; 382/217; 715/209, 222,
715/226, 274; 400/613, 613.1–613.4,
400/690.1–690.4, 691–694

CPC H04N 1/00; H04N 1/12; H04N 1/00013;
H04N 1/00015; H04N 1/00018; H04N
1/00026; H04N 1/00557; H04N 1/00564;
H04N 1/00567; H04N 1/0057; H04N
1/00572; H04N 1/00586; H04N 1/00588;
H04N 1/00591; H04N 1/00594; H04N
1/00596; H04N 1/00604; H04N 1/00519;
H04N 1/00559; H04N 1/1013; H04N
1/10; H04N 1/00551; H04N 1/00278;
H04N 2201/0456; H04N 2201/0446;
H04N 2201/00; H04N 2201/0094; H04N
1/00525; G03G 15/0142; G03G 15/605;
G03G 15/602; B65H 5/26; B65H 5/30;
B65H 7/00; B65H 2402/515; B65H
2402/31; B65H 2511/20; B65H 2511/414;

FIG. 1 is a front, left, top, perspective view of an imaging device showing our new design;
FIG. 2 is a rear, right, top, perspective view of the imaging device shown in FIG. 1;
FIG. 3 is a front elevational view of the imaging device shown in FIG. 1;
FIG. 4 is a rear elevational view of the imaging device shown in FIG. 1;
FIG. 5 is a left-side elevational view of the imaging device shown in FIG. 1;
FIG. 6 is a right-side elevational view of the imaging device shown in FIG. 1;
FIG. 7 is a top plan view of the imaging device shown in FIG. 1; and,
FIG. 8 is a bottom plan view of the imaging device shown in FIG. 1.

The broken lines shown in the drawings represent portions of the imaging device that form no part of the claimed design.

1 Claim, 8 Drawing Sheets



- (58) **Field of Classification Search**
 CPC 2301/00; B65H 2220/04; B65H 3/5261;
 B65H 2513/42
 See application file for complete search history.

(56) **References Cited**

U.S. PATENT DOCUMENTS

D315,360 S * 3/1991 Tokuda D18/54
 D315,361 S * 3/1991 Kojima D18/55
 D318,066 S * 7/1991 Moro D18/54
 D326,678 S * 6/1992 Uchibori D18/55
 D345,966 S * 4/1994 Perez D18/4.5
 D348,054 S * 6/1994 Minasian D14/425
 D399,524 S * 10/1998 Nakajima D18/50
 D401,271 S * 11/1998 Nakajima D18/55
 5,893,822 A * 4/1999 Deni B65B 31/046
 493/256
 D414,508 S * 9/1999 Pangburn D18/55
 D422,570 S * 4/2000 Kobayashi D14/509
 D433,442 S * 11/2000 Clark, III 14/2
 D446,306 S * 8/2001 Ochi D24/165
 D456,020 S * 4/2002 Obata D14/336
 6,536,670 B1 * 3/2003 Postman G06F 1/1626
 235/487
 D475,052 S * 5/2003 Chujou D14/422
 6,842,652 B2 * 1/2005 Yeung H04N 1/00236
 250/201.2
 7,029,113 B2 * 4/2006 Hwang B41J 29/13
 347/108
 D523,469 S * 6/2006 Hwang D18/50
 D549,705 S * 8/2007 Sugitani D14/422
 D574,829 S * 8/2008 Shirai D14/422
 D609,711 S * 2/2010 Kuroda D14/422
 D610,146 S * 2/2010 Kuroda D14/422
 D610,147 S * 2/2010 Kuroda D14/422
 D610,148 S * 2/2010 Kuroda D14/422
 D610,149 S * 2/2010 Kuroda D14/422
 D610,153 S * 2/2010 Kuroda D14/422
 D610,154 S * 2/2010 Kuroda D14/422
 D610,155 S * 2/2010 Kuroda D14/422
 7,686,221 B2 * 3/2010 Chiba H04N 1/00204
 235/454
 D616,889 S * 6/2010 Kuroda D14/422
 D632,295 S * 2/2011 Kuroda D14/422
 D642,179 S * 7/2011 Kuroda D14/422
 D663,300 S * 7/2012 Kim D14/407
 D669,080 S * 10/2012 Iwai D14/422
 D669,081 S * 10/2012 Iwai D14/422
 D669,526 S * 10/2012 Sakurai D18/50

D682,329 S * 5/2013 Day D15/146
 D687,436 S * 8/2013 Penke D14/422
 D689,866 S * 9/2013 Anzai D14/422
 D694,792 S * 12/2013 Day D15/146
 D694,794 S * 12/2013 Cumming D15/146
 D696,339 S * 12/2013 Hasui D18/34.3
 D700,908 S * 3/2014 Taniho D14/422
 D708,185 S * 7/2014 Romanoff D14/422
 D708,618 S * 7/2014 Romanoff D14/422
 D713,845 S * 9/2014 Taniho D14/422
 D716,305 S * 10/2014 Tani D14/422
 8,856,033 B2 * 10/2014 Hicks G07G 1/0081
 235/385
 D719,168 S * 12/2014 Tani D14/422
 D723,562 S * 3/2015 Inada D14/422
 9,107,484 B2 * 8/2015 Chaney A45C 11/00
 D739,365 S * 9/2015 Garcia D14/126
 9,239,590 B2 * 1/2016 Vargas G06F 1/1613
 D757,162 S * 5/2016 Lyons D18/4.4
 D758,369 S * 6/2016 Kuroda D14/422
 9,415,954 B2 * 8/2016 Ukai B65H 1/02
 D766,246 S * 9/2016 Inada D14/422
 D775,127 S * 12/2016 Strubi D14/358
 D776,118 S * 1/2017 Ishida D14/422
 D780,181 S * 2/2017 Peng D14/422
 D783,023 S * 4/2017 Kuroda D14/422
 2003/0063337 A1 * 4/2003 Shirai H04N 1/0062
 358/498
 2005/0094227 A1 * 5/2005 Hwang H04N 1/00525
 358/498
 2006/0152773 A1 * 7/2006 Wu H04N 1/10
 358/474
 2007/0188818 A1 * 8/2007 Westcott H04N 1/00525
 358/296
 2009/0230611 A1 * 9/2009 Ngai H04N 1/00525
 271/145
 2010/0053701 A1 * 3/2010 Yoshida H04N 1/00525
 358/474
 2010/0060948 A1 * 3/2010 Yoshida H04N 1/00519
 358/474
 2013/0056923 A1 * 3/2013 Kuriki B65H 31/02
 271/145
 2013/0056924 A1 * 3/2013 Mizuno B65H 9/06
 271/162
 2013/0057932 A1 * 3/2013 Mukai H04N 1/00533
 358/498
 2013/0163056 A1 * 6/2013 Hanayama H04N 1/00013
 358/474
 2013/0222867 A1 * 8/2013 Tomita H04N 1/00013
 358/498

* cited by examiner

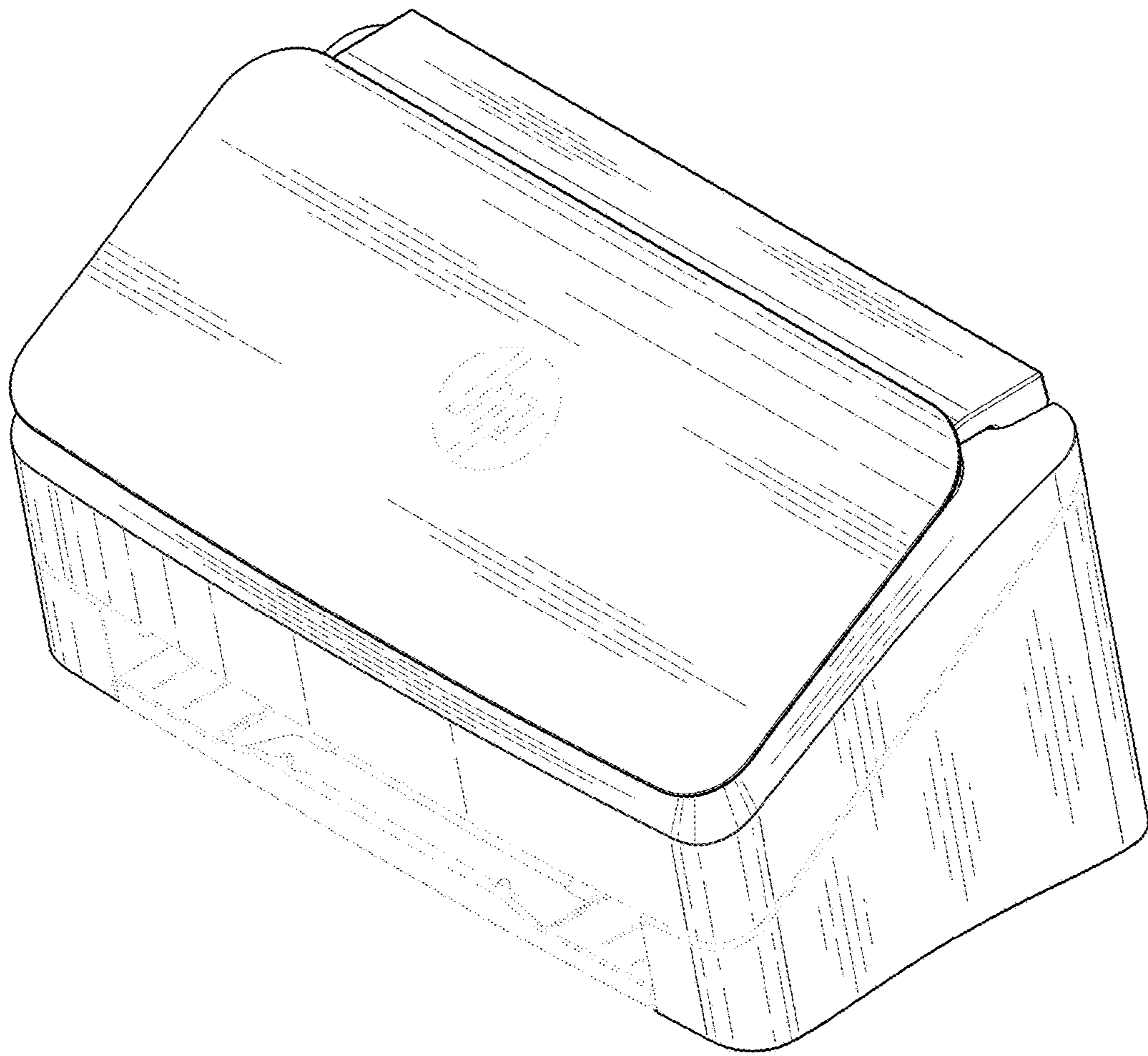


FIG. 1

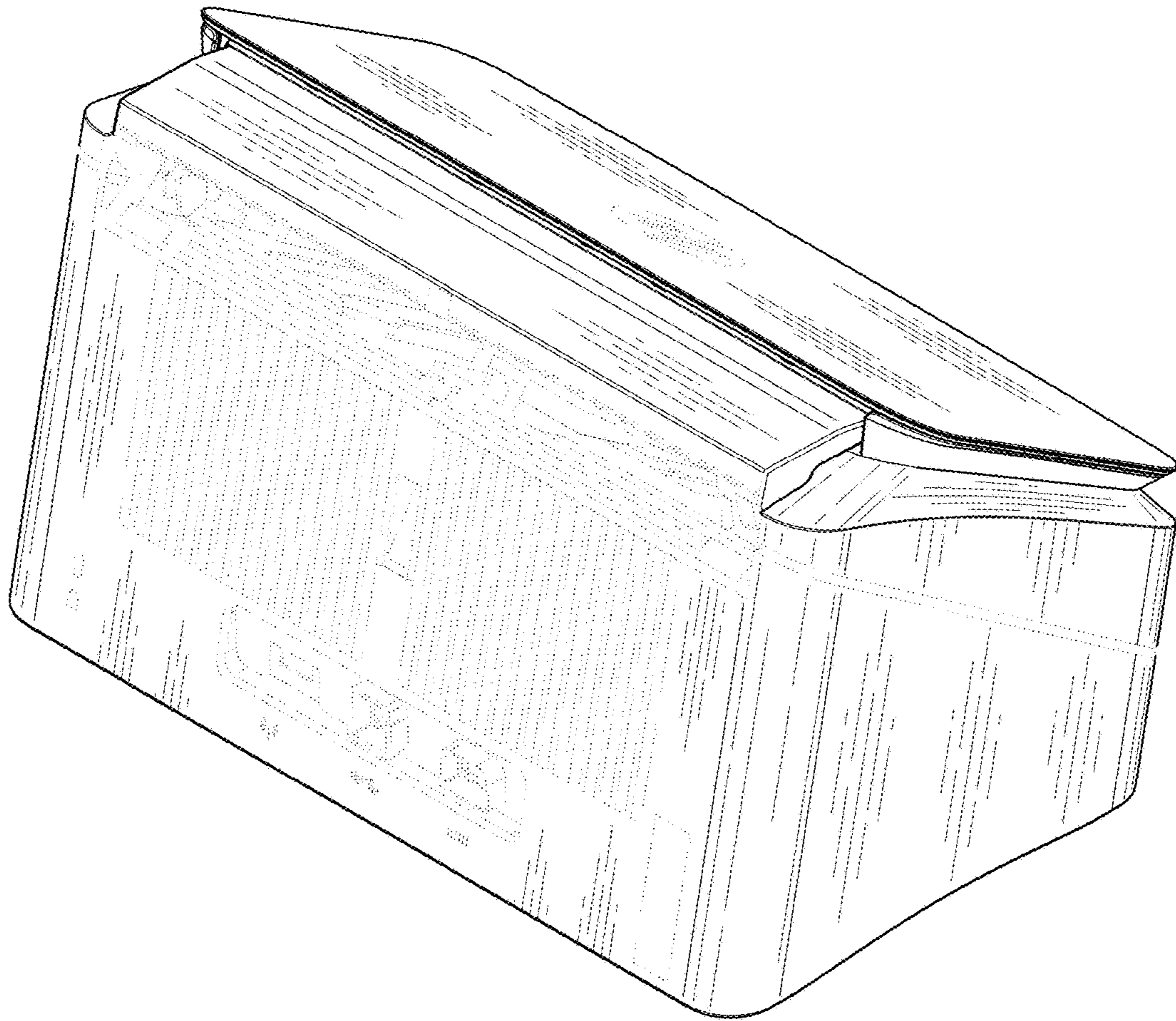


FIG. 2

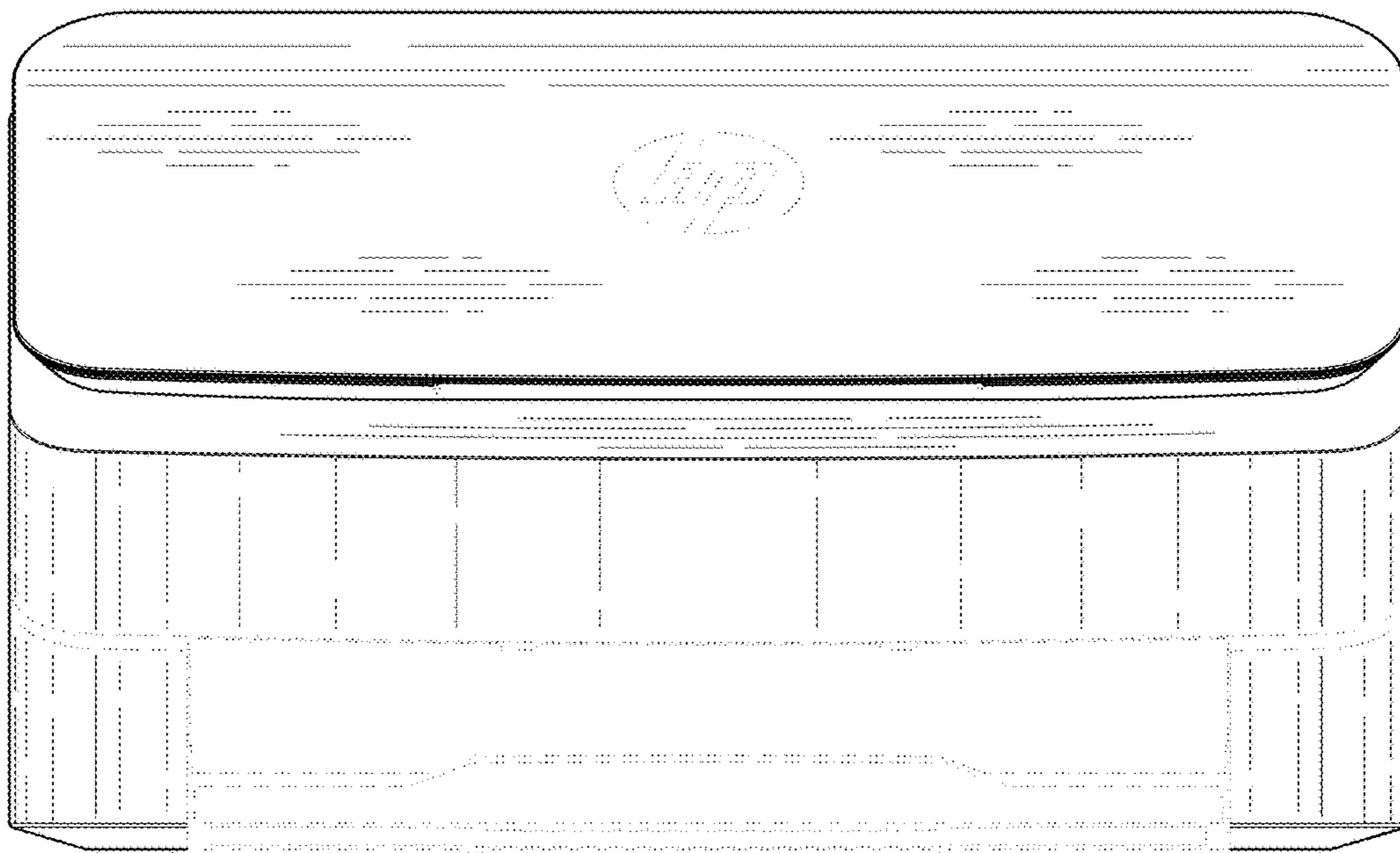


FIG. 3

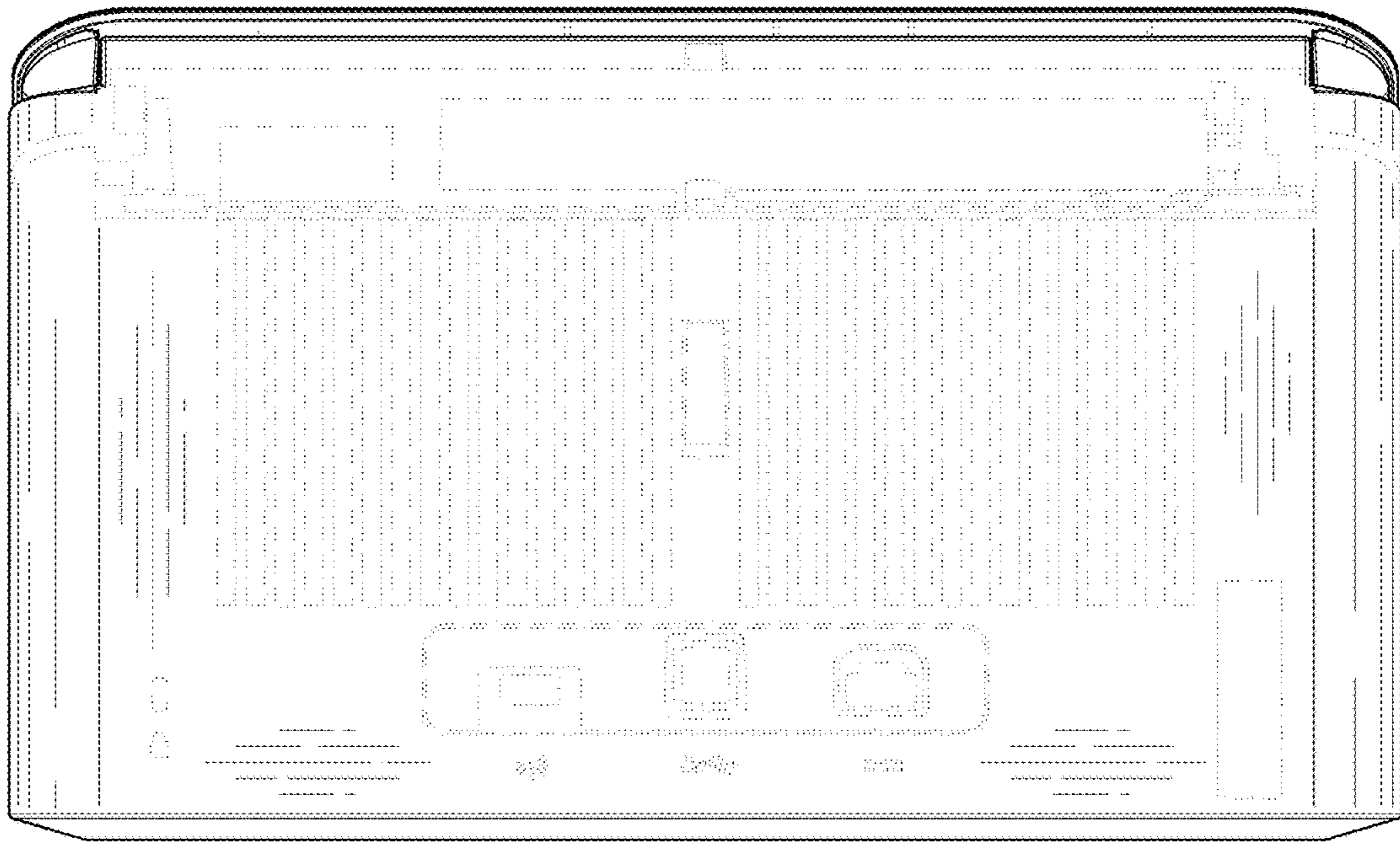


FIG. 4

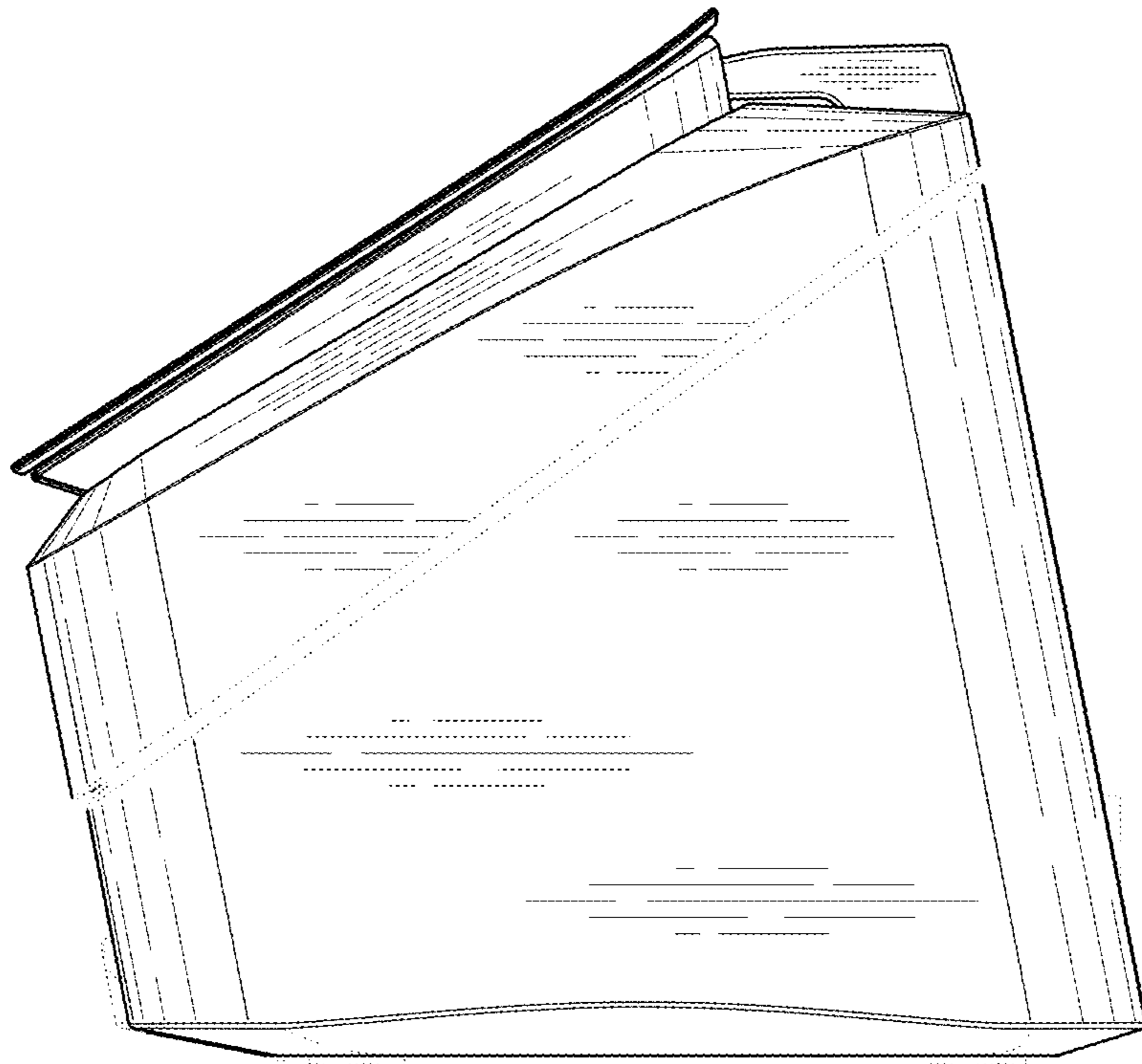


FIG. 5

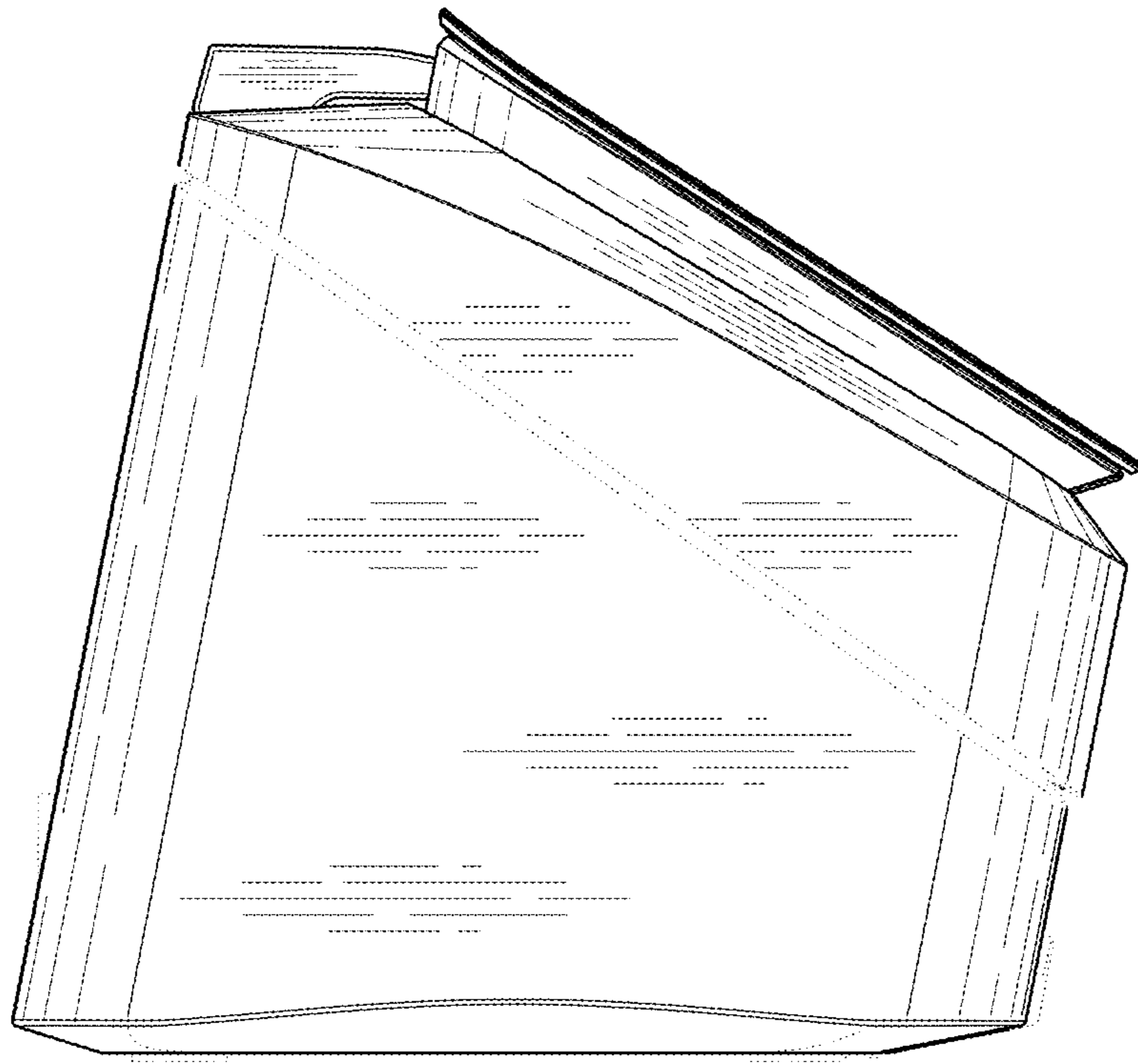


FIG. 6

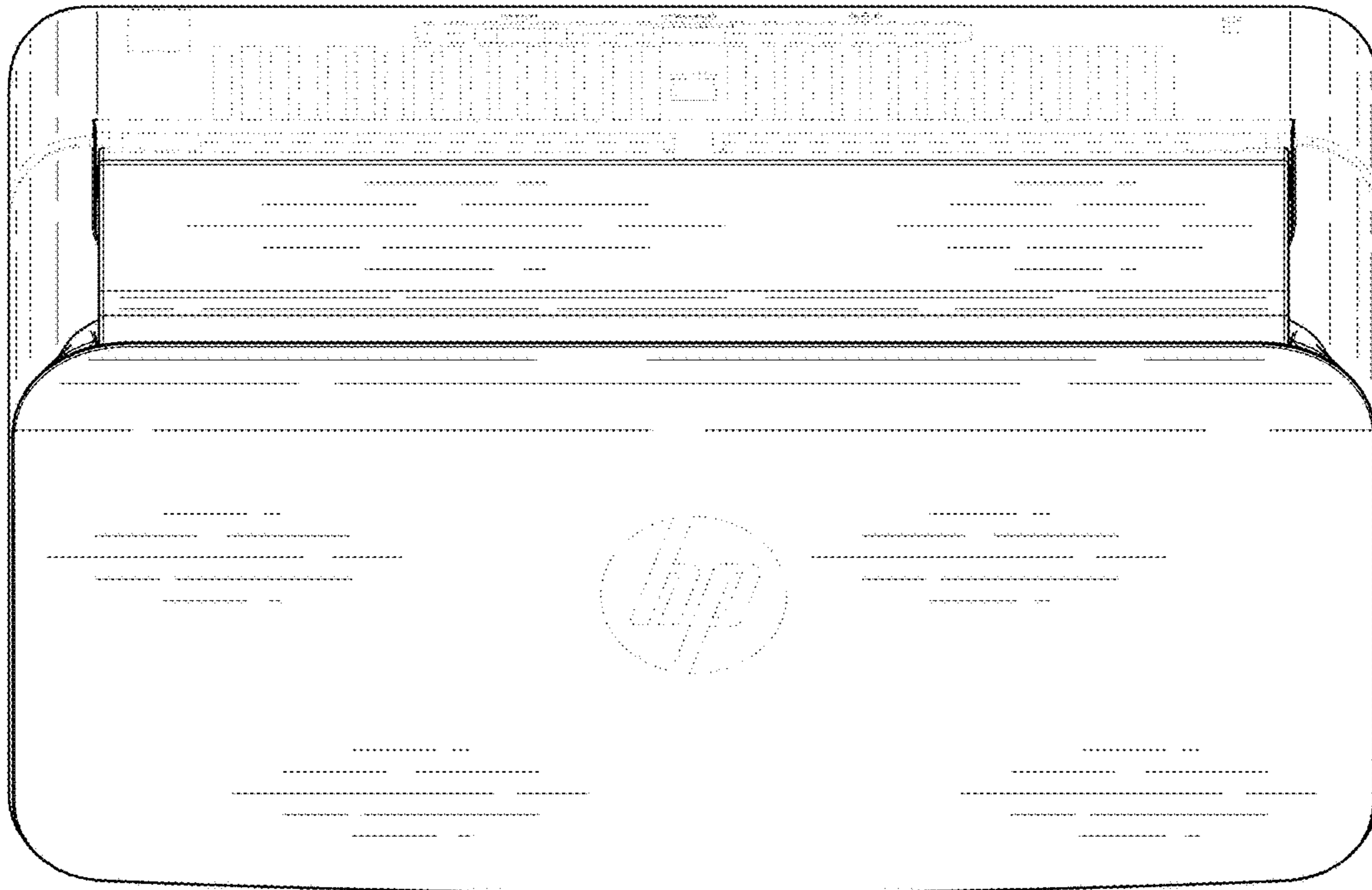


FIG. 7

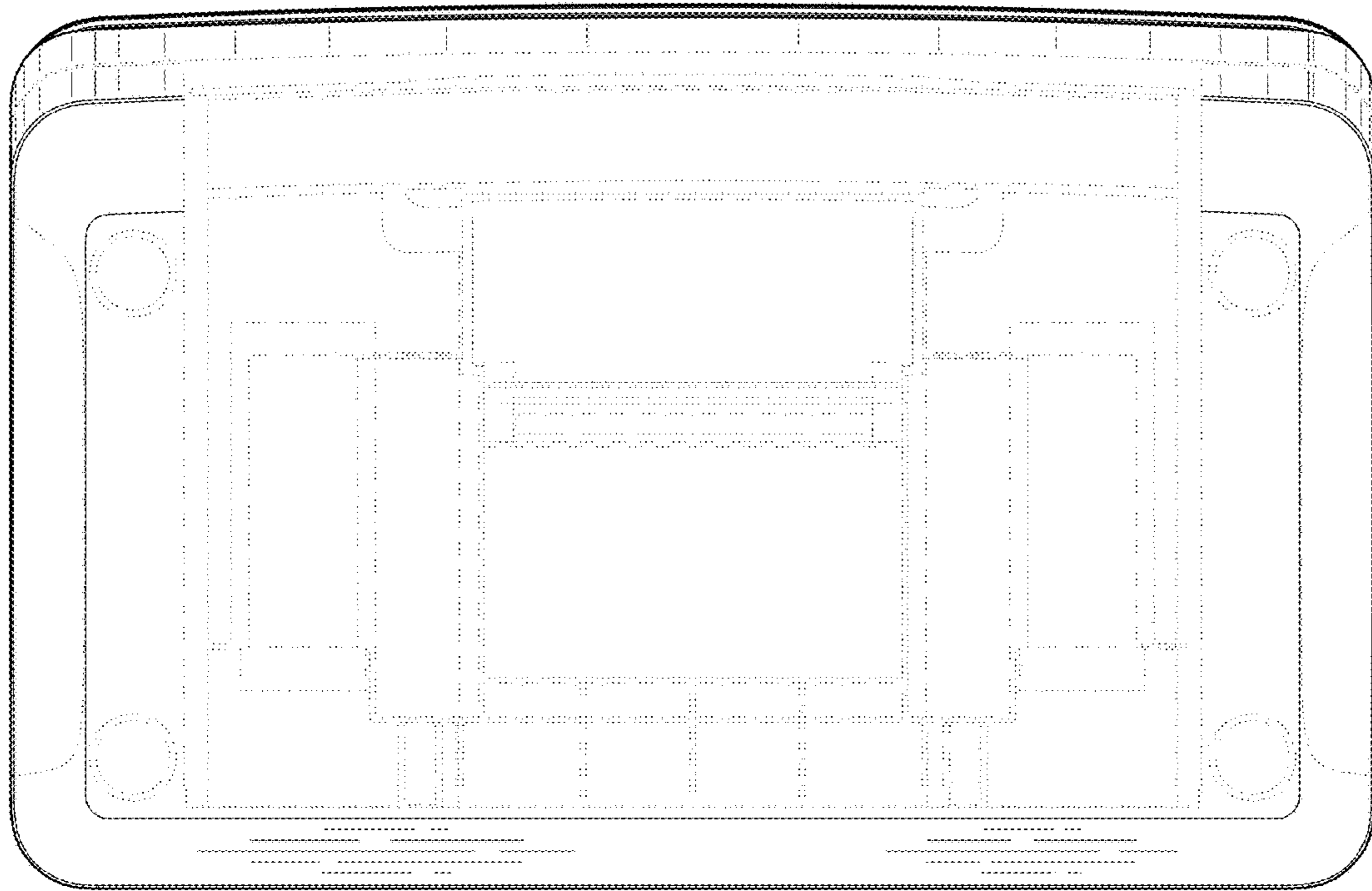


FIG. 8