

US00D797739S

(12) **United States Design Patent**
Templeton

(10) **Patent No.:** **US D797,739 S**

(45) **Date of Patent:** **** Sep. 19, 2017**

(54) **WIRELESS CARD READER**

(71) Applicant: **Square, Inc.**, San Francisco, CA (US)

(72) Inventor: **Thomas Templeton**, San Francisco, CA (US)

(73) Assignee: **Square, Inc.**, San Francisco, CA (US)

(**) Term: **15 Years**

(21) Appl. No.: **29/539,783**

(22) Filed: **Sep. 17, 2015**

Related U.S. Application Data

(63) Continuation of application No. 29/447,767, filed on Mar. 6, 2013, now Pat. No. Des. 740,286.

(51) **LOC (10) Cl.** **14-02**

(52) **U.S. Cl.**

USPC **D14/385**

(58) **Field of Classification Search**

USPC D18/4.4, 4.5, 4.6, 12, 12.1, 12.3;
D14/383, 384, 385, 386, 378

CPC G06K 19/07749; G06K 19/0723; G06K 19/041; G06K 19/07758; G06K 19/0775; G06K 19/07783; G06K 19/07794; G06K 19/06046; G06K 19/07722; G06K 19/07773; G06K 19/07779; G06K 19/07784; G06K 19/07786; G06K 19/0709

See application file for complete search history.

(56) **References Cited**

U.S. PATENT DOCUMENTS

- D491,953 S 6/2004 Arakaki et al.
- D500,039 S 12/2004 Chen
- D537,445 S 2/2007 Bousfield
- D598,013 S 8/2009 Ju et al.
- D624,912 S * 10/2010 Chen D14/356
- D624,915 S 10/2010 Ferreira Sanchez

- D641,740 S 7/2011 Jeon et al.
- D650,377 S 12/2011 Akana et al.
- D653,664 S 2/2012 Turnbull et al.
- D654,885 S 2/2012 Isaias
- D656,097 S 3/2012 Nomi et al.

(Continued)

OTHER PUBLICATIONS

Jorgensen, A., "Square," Andrew Jorgensen Family, dated Nov. 19, 2010, Retrieved from the Internet URL: <http://andrew.jorgensenfamily.us/2010/11/square/>, on Jun. 6, 2014, pp. 1-3.

(Continued)

Primary Examiner — Austin Murphy

(74) *Attorney, Agent, or Firm* — Polsinelli PC

(57) **CLAIM**

I claim the ornamental design for a wireless card reader, as shown and described.

DESCRIPTION

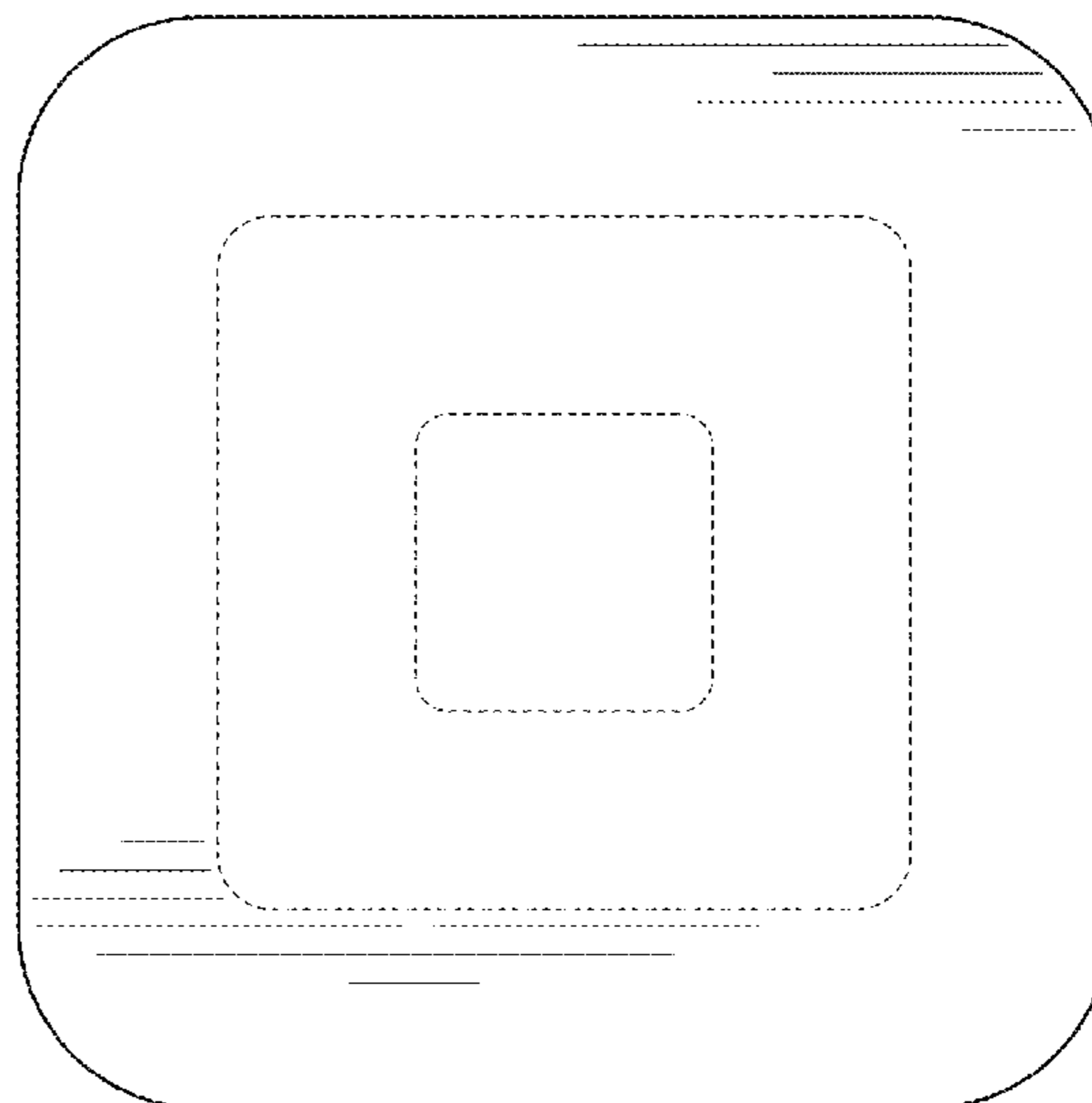
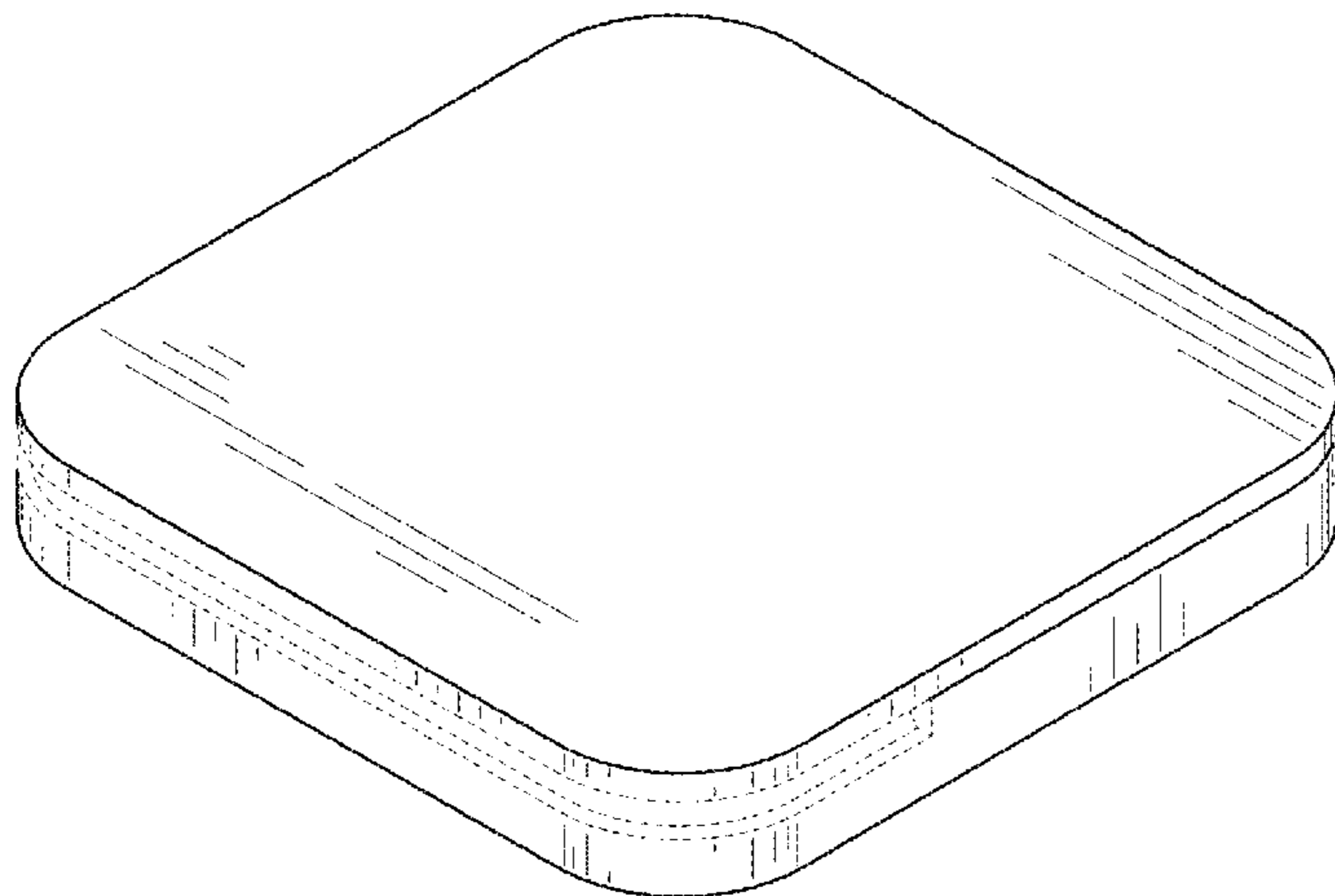
FIG. 1 is a perspective view of a first embodiment of a wireless card reader, showing my new design; FIG. 2 is a front elevational view thereof; FIG. 3 is a rear elevational view thereof; FIG. 4 is a left side elevational view thereof; FIG. 5 is a right side elevational view thereof; FIG. 6 is a top plan view thereof; and FIG. 7 is a bottom plan view thereof.

FIG. 8 is a perspective view of a second embodiment of the wireless card reader; and, FIG. 9 is a top plan view thereof.

The front, rear, right side, left side elevational views and the bottom plan view of the second embodiment of the wireless card reader are the same as those of the first embodiment and, therefore, are not shown.

Broken lines are for illustrating unclaimed portions of the wireless card reader; the broken lines form no part of the claimed design.

1 Claim, 5 Drawing Sheets



(56)

References Cited

U.S. PATENT DOCUMENTS

D657,784 S 4/2012 Akana et al.
 D660,834 S 5/2012 Akana et al.
 D675,173 S 1/2013 Paradise et al.
 D686,198 S 7/2013 Lewis et al.
 D688,241 S 8/2013 Miller et al.
 D696,255 S 12/2013 Bousfield et al.
 D700,606 S 3/2014 Lo
 D702,239 S 4/2014 Lee et al.
 D704,176 S 5/2014 Kwak et al.
 D705,201 S 5/2014 Isaacs et al.
 D706,266 S 6/2014 Rotsaert
 D709,069 S 7/2014 Cruz et al.
 D719,561 S 12/2014 Akana et al.
 D740,285 S * 10/2015 Templeton D14/385
 D740,286 S * 10/2015 Templeton D14/385
 D740,820 S * 10/2015 Templeton D14/385
 D766,238 S * 9/2016 Nguyen D14/385
 D766,901 S * 9/2016 Nguyen D14/385

D774,510 S * 12/2016 Rotsaert D14/385
 D776,658 S * 1/2017 Zhu D14/385
 9,576,159 B1 * 2/2017 Templeton G06K 7/0004
 D780,731 S * 3/2017 Kim D14/242
 2012/0118959 A1 * 5/2012 Sather G06Q 20/3224
 235/449
 2012/0132712 A1 * 5/2012 Babu G06Q 20/322
 235/449

OTHER PUBLICATIONS

Thomas, T., "iPhone Credit Card Readers," Top Ten Reviews, dated Feb. 11, 2011, Retrieved from the Internet URL: <http://credit-card-processingreview.toptemreviews.com/mobile-credit-card-processing/iphone-credit-card-readers-pg9.html>, on Jun. 6, 2014, pp. 1-3.
 Ex Parte Quayle Action mailed Apr. 9, 2015, for Design U.S. Appl. No. 29/447,767, of Templeton, T., filed Mar. 6, 2013.
 Notice of Allowance mailed Jun. 5, 2015, for Design U.S. Appl. No. 29/447,767, of Templeton, T., filed Mar. 6, 2013.

* cited by examiner

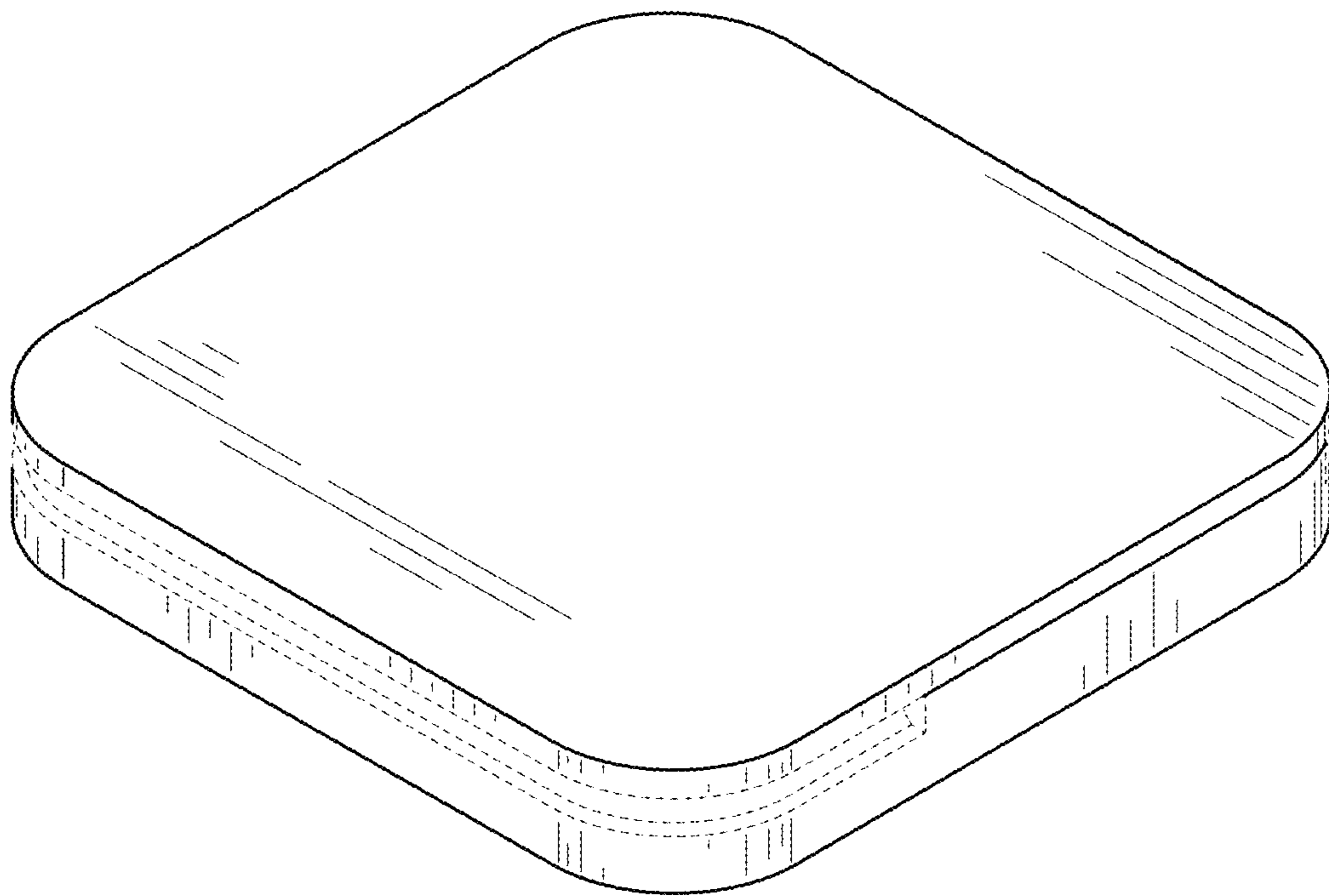


FIG. 1

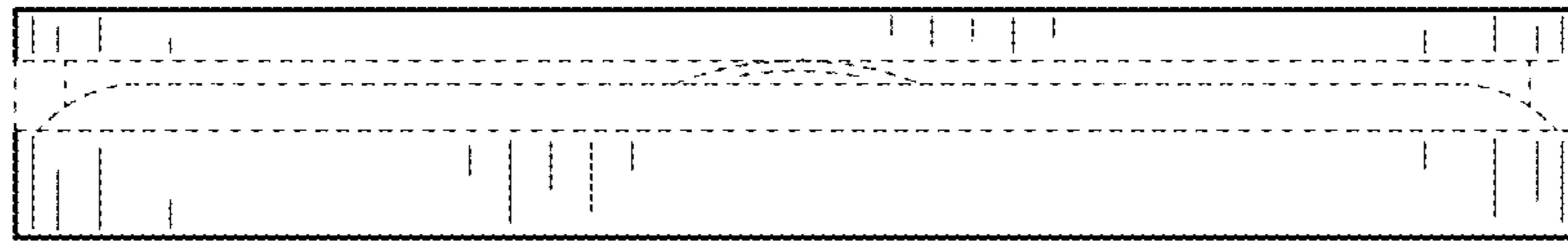


FIG. 2

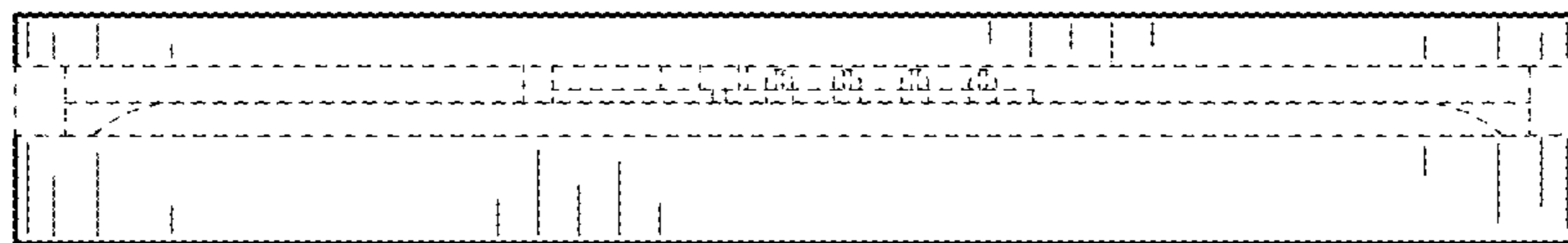


FIG. 3

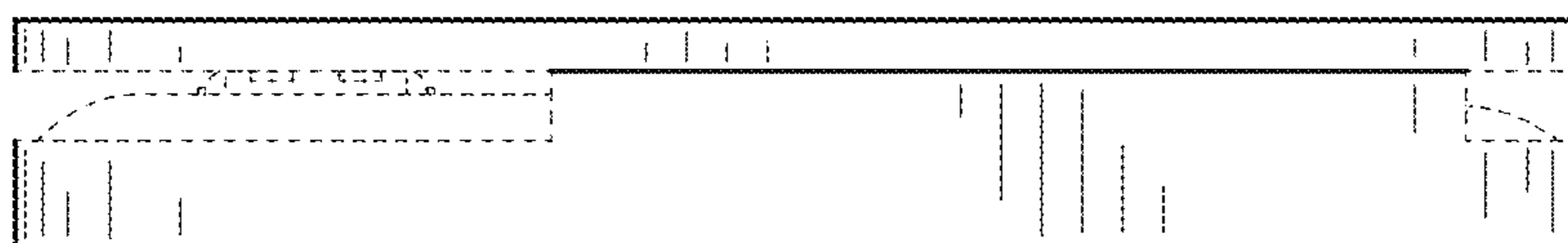


FIG. 4

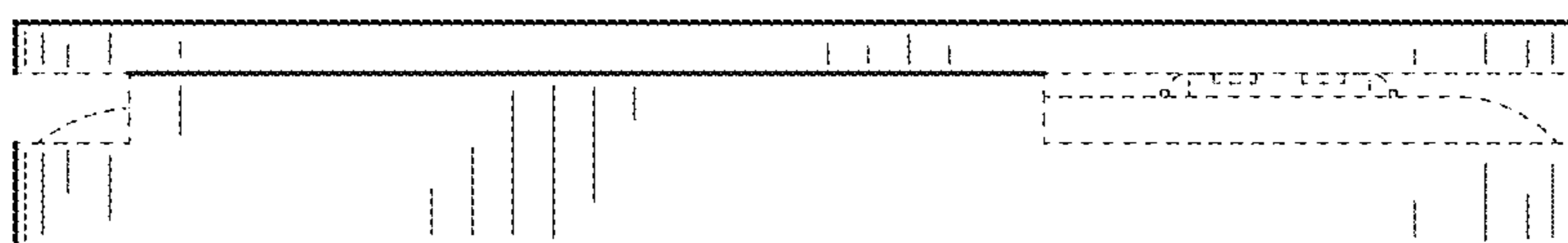


FIG. 5

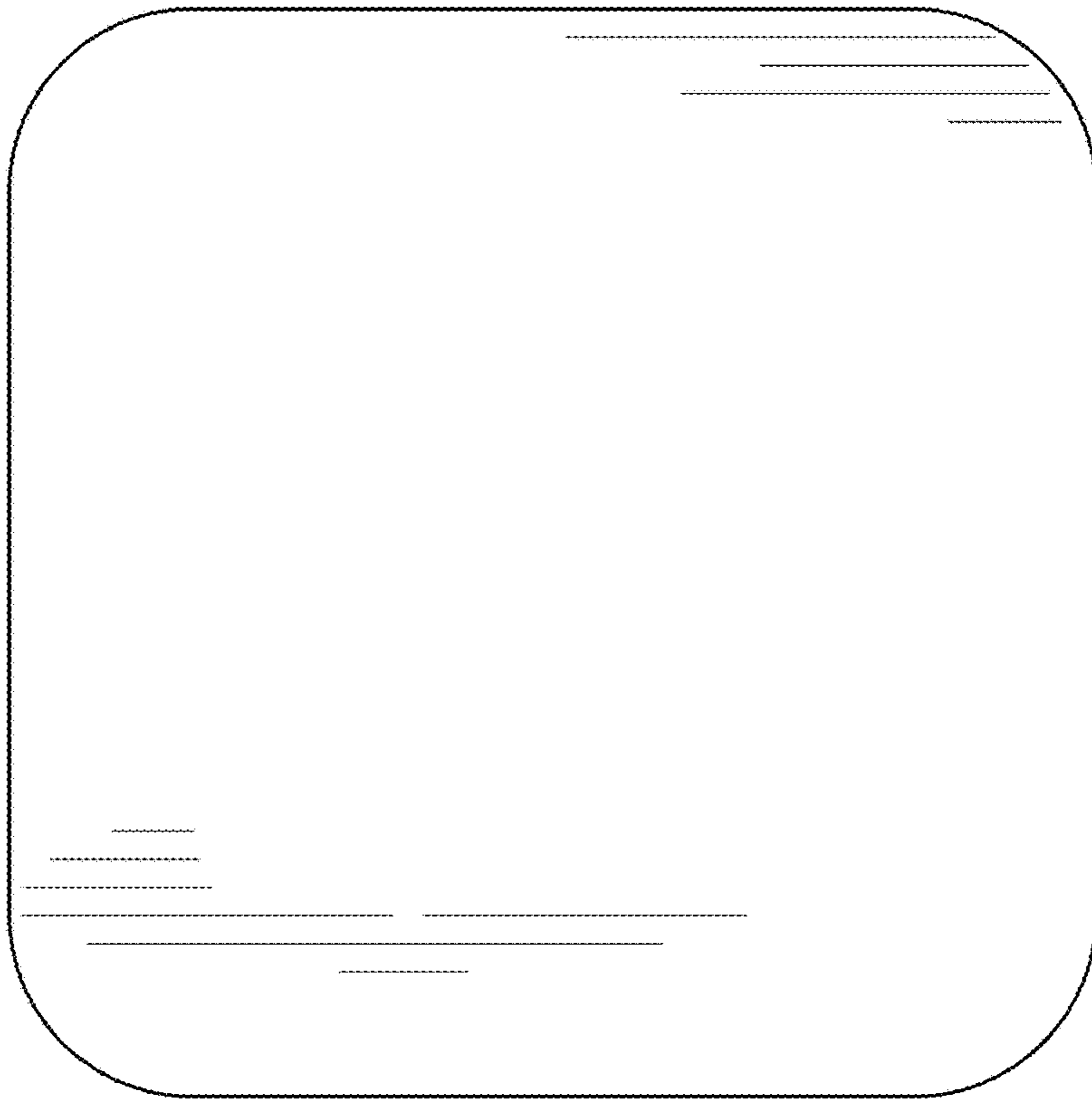


FIG. 6

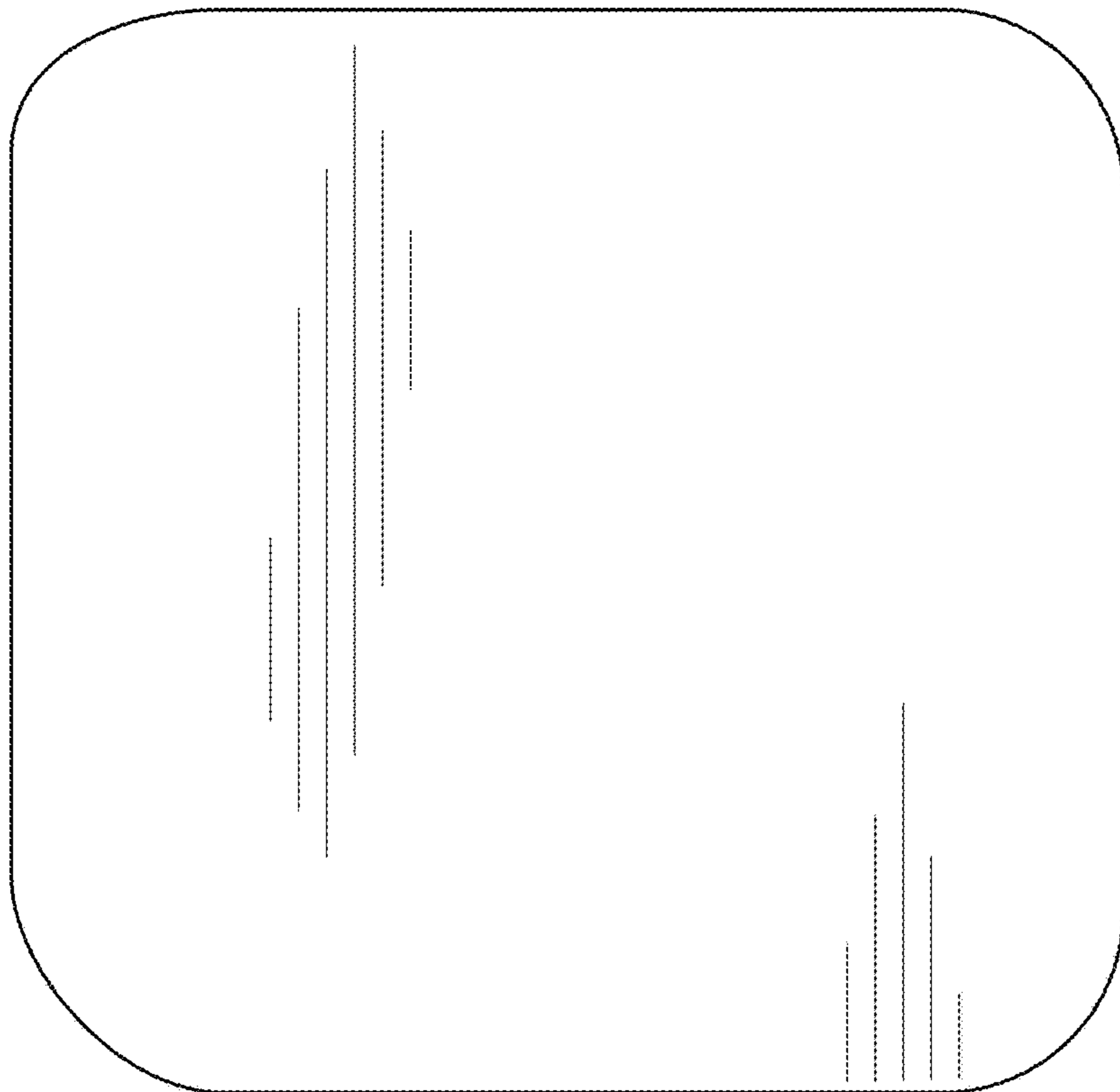


FIG. 7

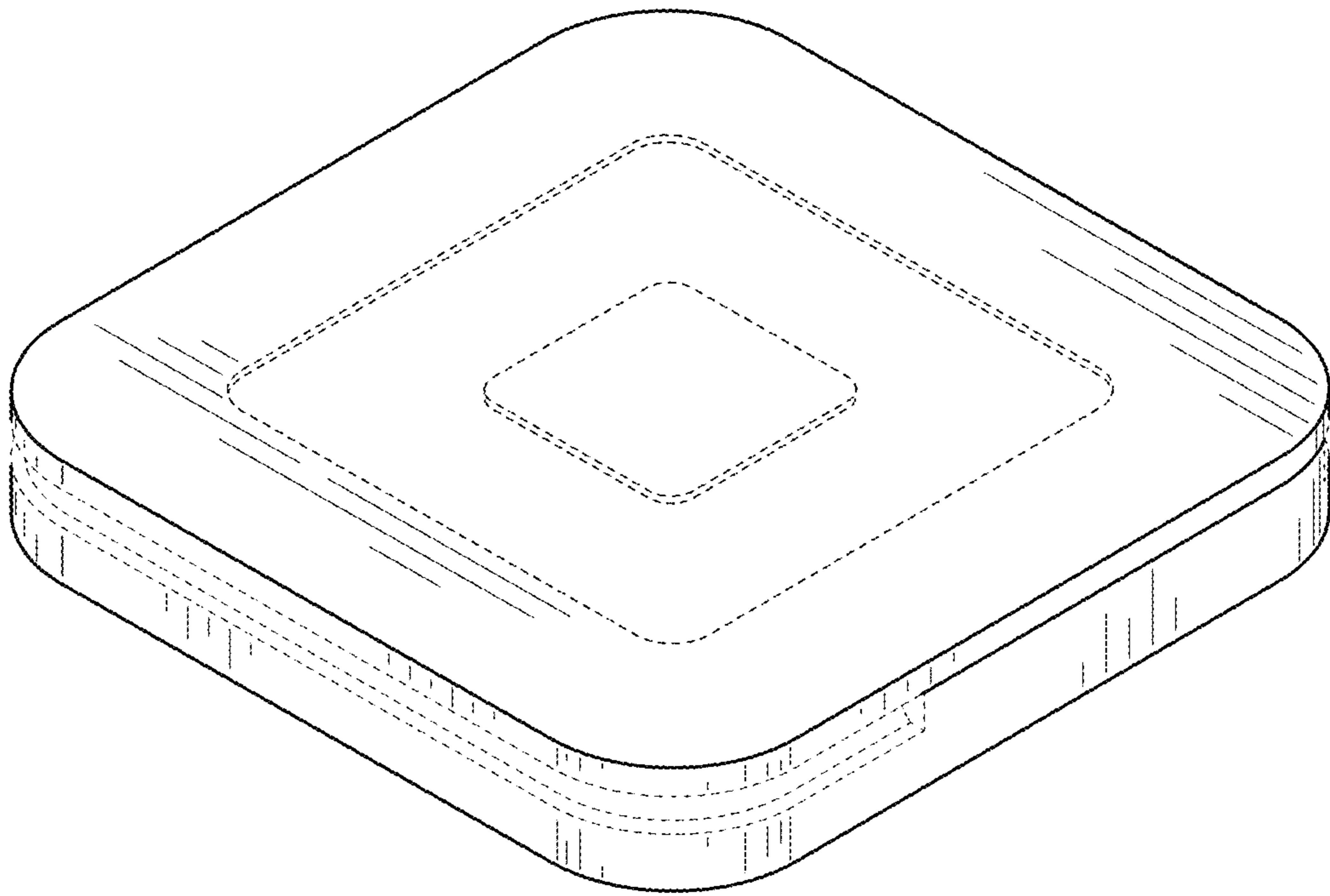


FIG. 8

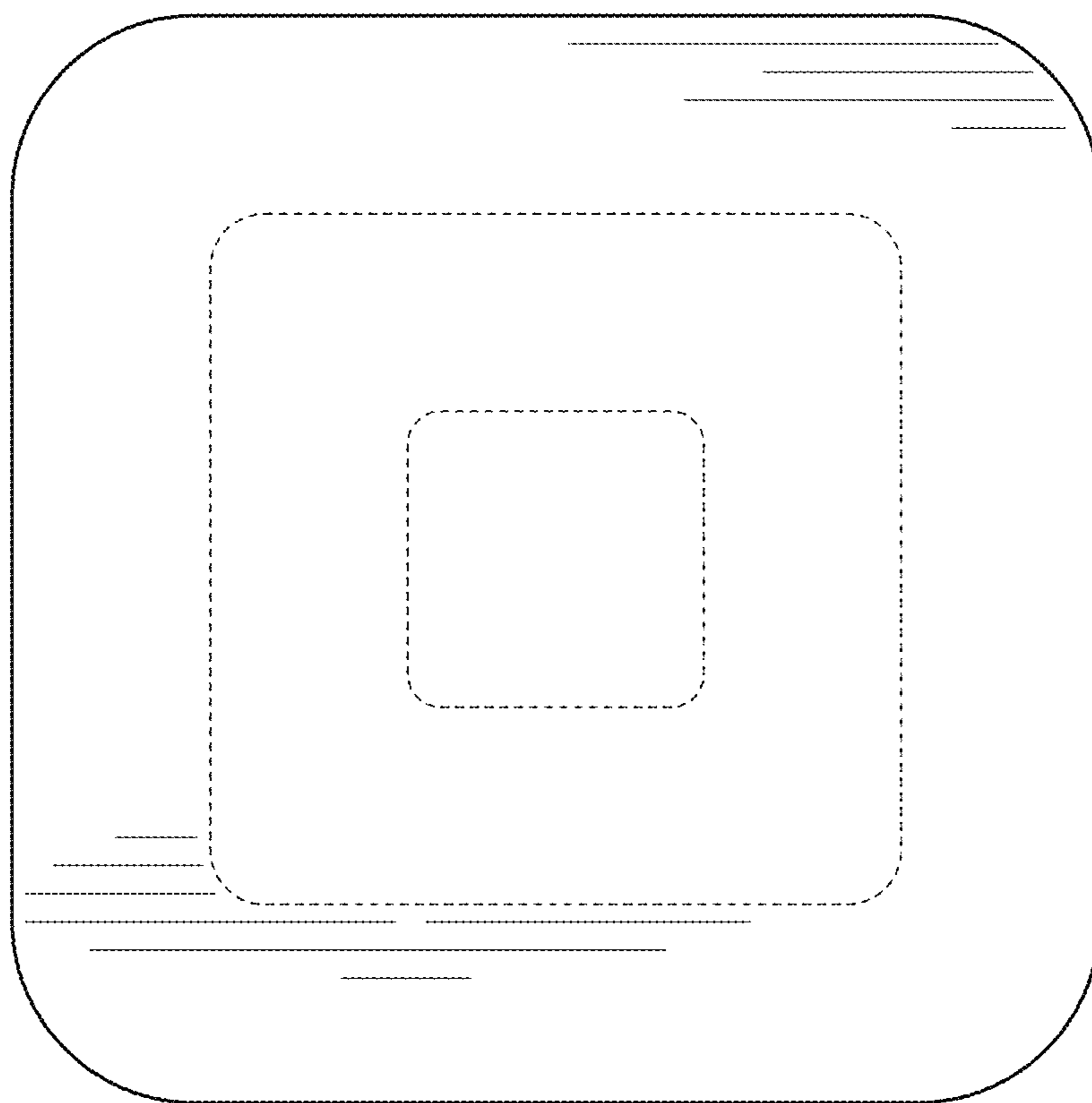


FIG. 9