



US00D797737S

(12) **United States Design Patent**  
**Won et al.**

(10) **Patent No.:** **US D797,737 S**

(45) **Date of Patent:** **\*\* Sep. 19, 2017**

(54) **MONITOR**

(71) Applicant: **SAMSUNG ELECTRONICS CO., LTD.**, Suwon-si, Gyeonggi-do (KR)

(72) Inventors: **Tae-Yeon Won**, Seoul (KR); **Yong-Joo Lee**, Seoul (KR)

(73) Assignee: **SAMSUNG ELECTRONICS CO., LTD.**, Gyeonggi-Do (KR)

(\*\*) Term: **15 Years**

(21) Appl. No.: **29/565,742**

(22) Filed: **May 24, 2016**

(30) **Foreign Application Priority Data**

Nov. 26, 2015 (KR) ..... 30-2015-0059751

(51) **LOC (10) Cl.** ..... **14-02**

(52) **U.S. Cl.**  
USPC ..... **D14/374**

(58) **Field of Classification Search**  
USPC ..... D14/371-375, 125-129, 336, 337, 341, D14/239; 341/12; 345/104, 156, 168, 345/173; 348/180, 184, 325, 739; 349/1, 349/2, 11, 62; 361/679.05-679.07, 361/679.21; D6/300, 308  
CPC ..... G06F 1/16; G06F 1/1601; G06F 3/037; G06F 1/162; G06F 1/1613; G06F 1/133308; F16M 11/02; F16M 11/10; F16M 11/00; F16M 11/06; F16M 11/18; F16M 11/045; F16M 11/105; F16M 11/041; F16M 11/126; F16M 11/04; F16M 13/02; F16M 11/24; A47F 5/00  
See application file for complete search history.

(56) **References Cited**

**U.S. PATENT DOCUMENTS**

D622,233 S \* 8/2010 Shin ..... D14/126  
D635,975 S \* 4/2011 Seo ..... D14/374

D657,790 S \* 4/2012 Lee ..... D14/374  
D704,708 S \* 5/2014 Huh ..... D14/374  
D725,061 S \* 3/2015 Kim ..... D14/126  
D735,194 S \* 7/2015 Kim ..... D14/374  
2011/0096486 A1\* 4/2011 Oh ..... F16M 11/10  
361/679.21  
2012/0176752 A1\* 7/2012 Yoon ..... F16M 11/04  
361/748

**FOREIGN PATENT DOCUMENTS**

EM 0027668990001 11/2014  
JP D1522721 S 4/2015  
KR 300574338 S 10/2010  
KR 300617124 S 10/2011  
KR 300740615 A 4/2014

\* cited by examiner

*Primary Examiner* — Freda S Nunn

(74) *Attorney, Agent, or Firm* — Cantor Colburn LLP

(57) **CLAIM**

The ornamental design for a monitor, as shown and described.

**DESCRIPTION**

FIG. 1 is a perspective view of a monitor showing our new design;  
FIG. 2 is a front view thereof;  
FIG. 3 is a rear view thereof;  
FIG. 4 is a left-side view thereof;  
FIG. 5 is a right-side view thereof;  
FIG. 6 is a top plan view thereof;  
FIG. 7 is a bottom plan view thereof;  
FIG. 8 is a rear perspective view thereof; and,  
FIG. 9 is another right side view thereof as shown in another configuration.  
The broken lines illustrating portions of the monitor form no part of the claimed design.

**1 Claim, 6 Drawing Sheets**

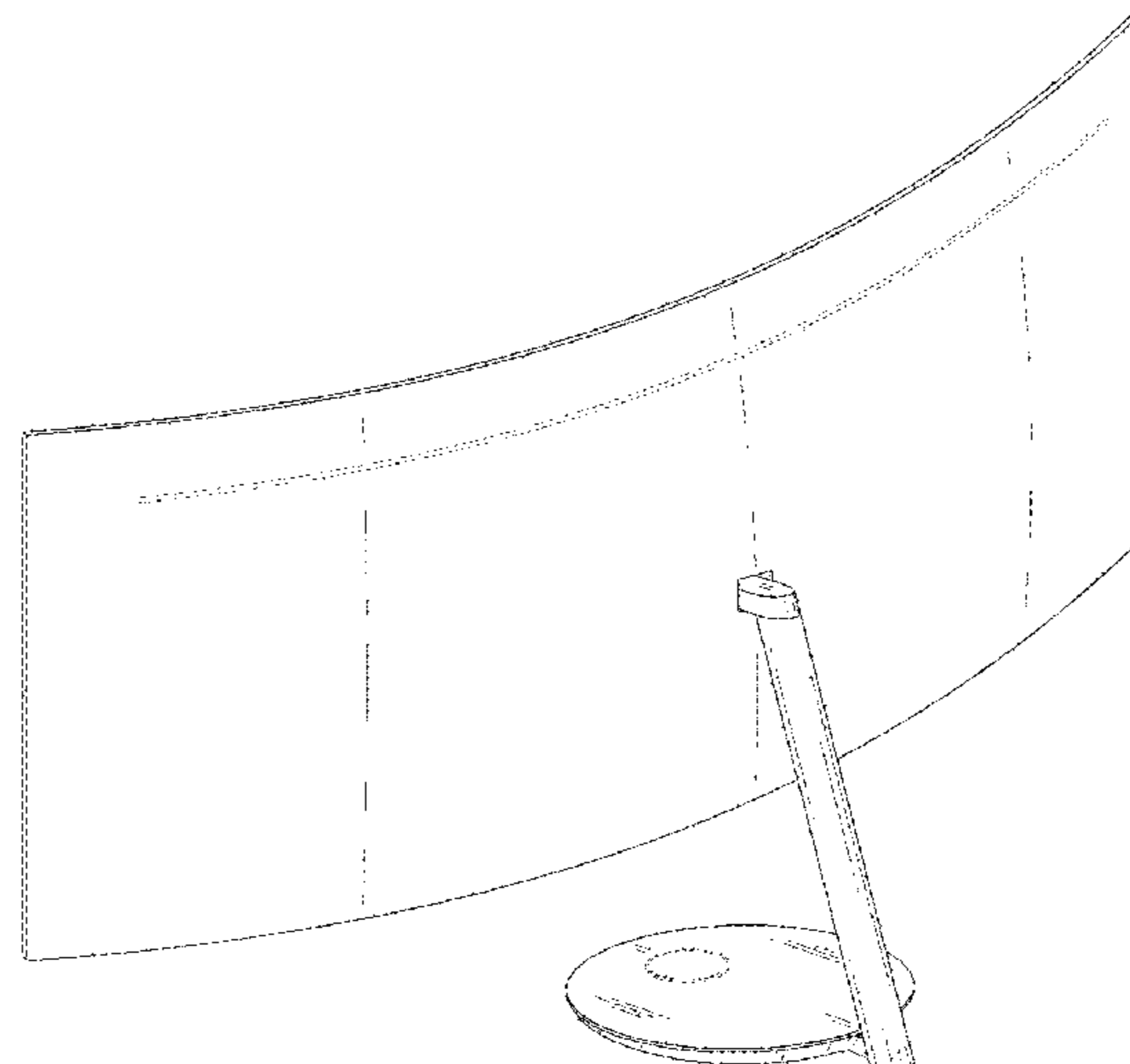
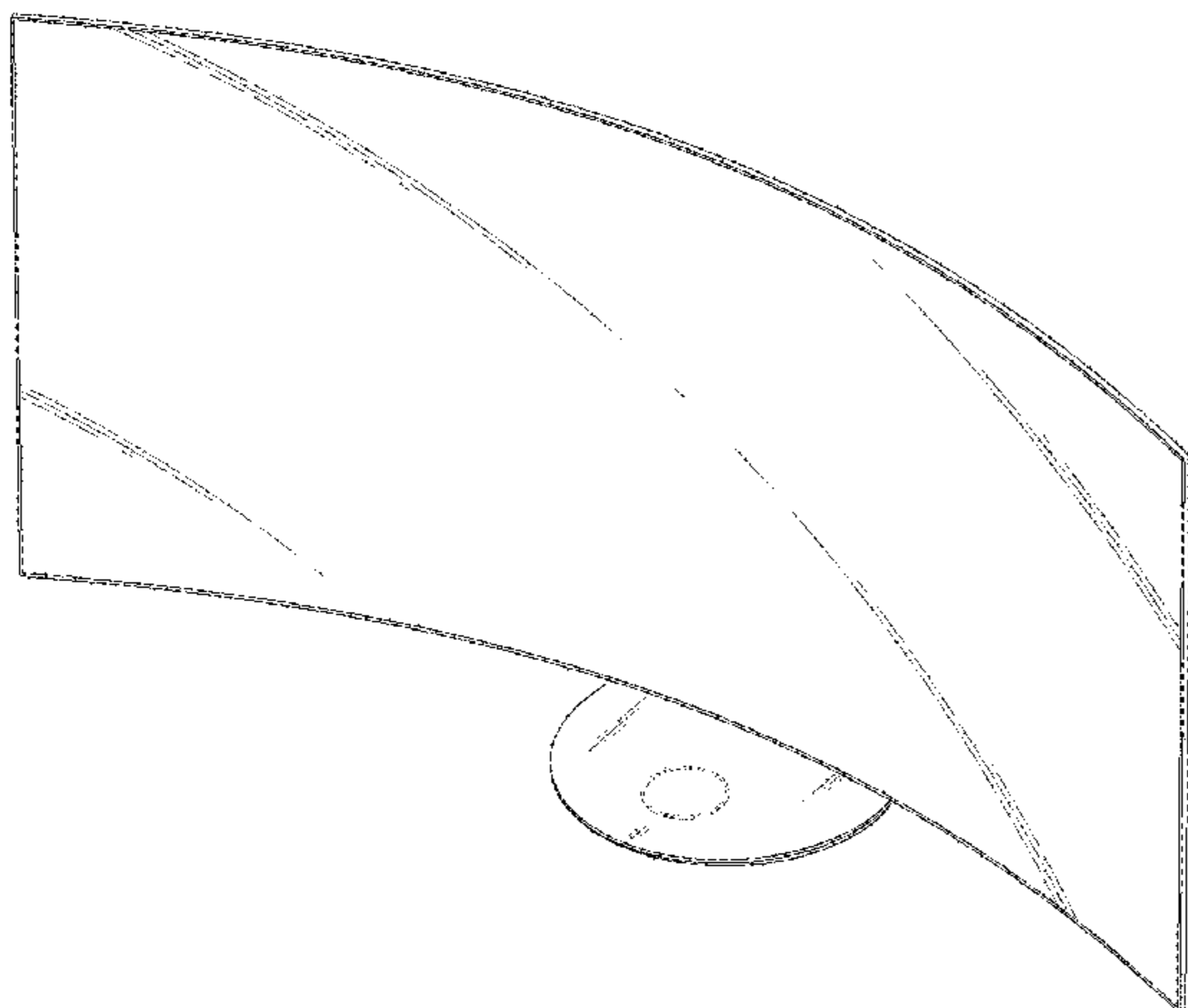


FIG. 1

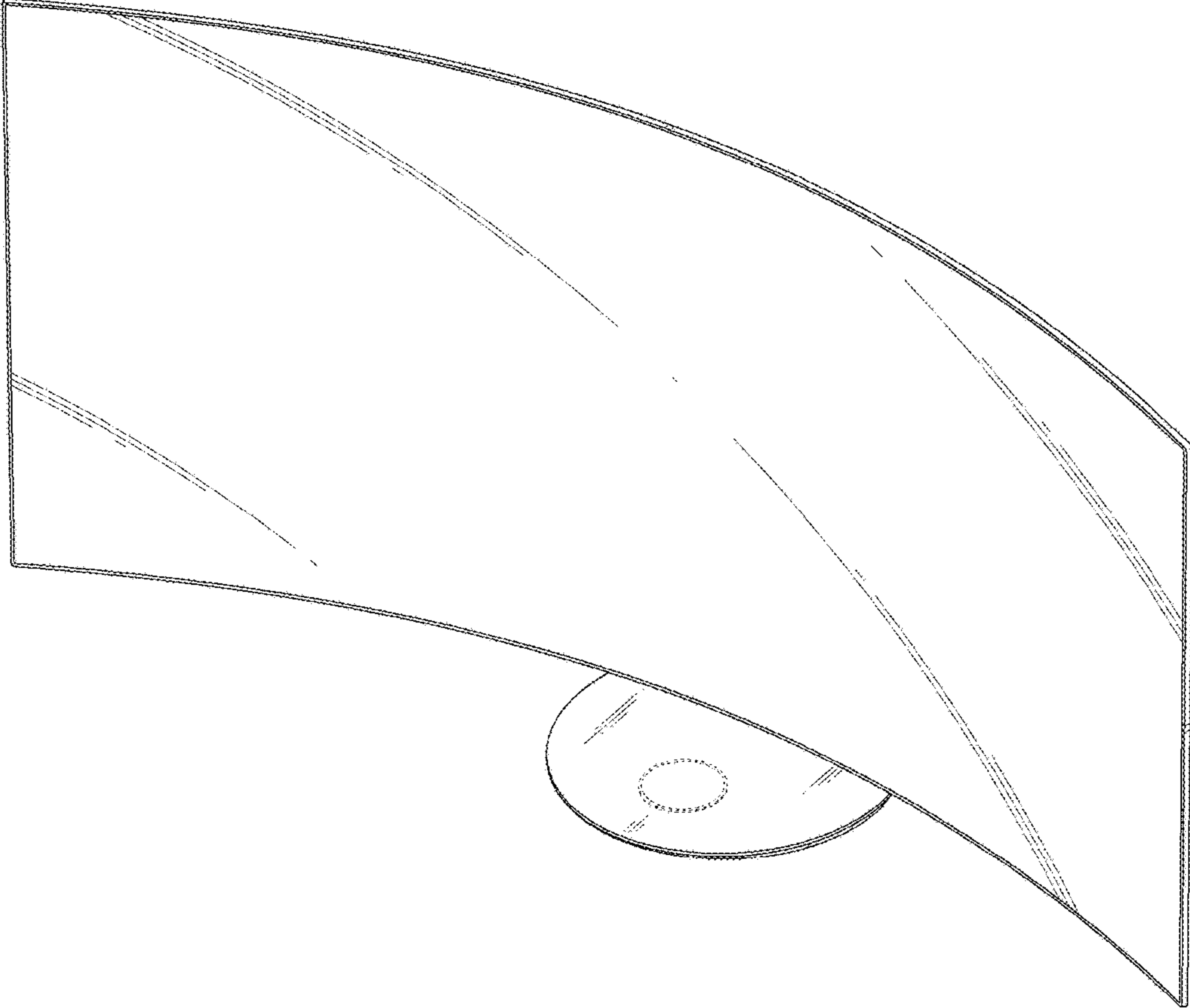


FIG. 2

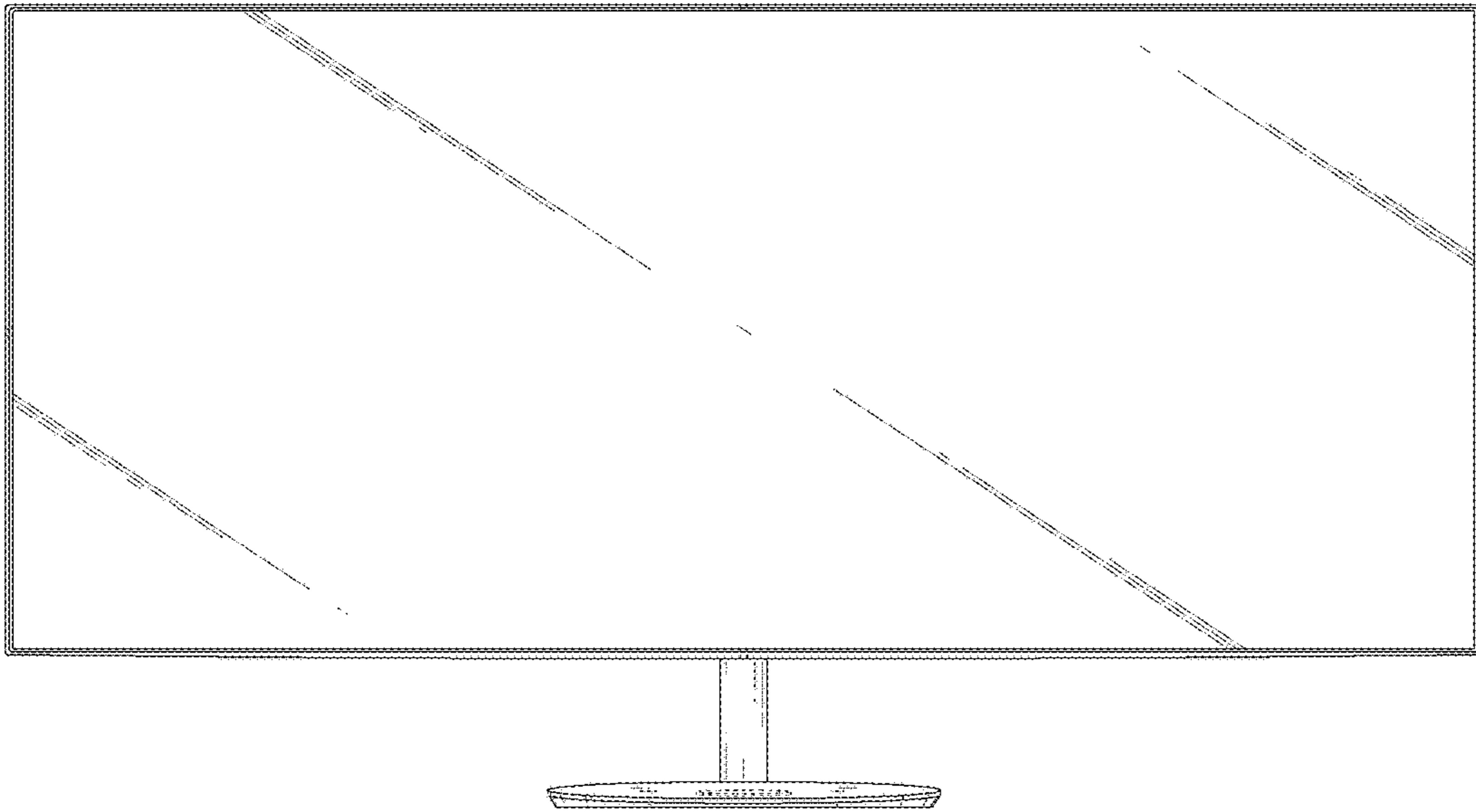


FIG. 3

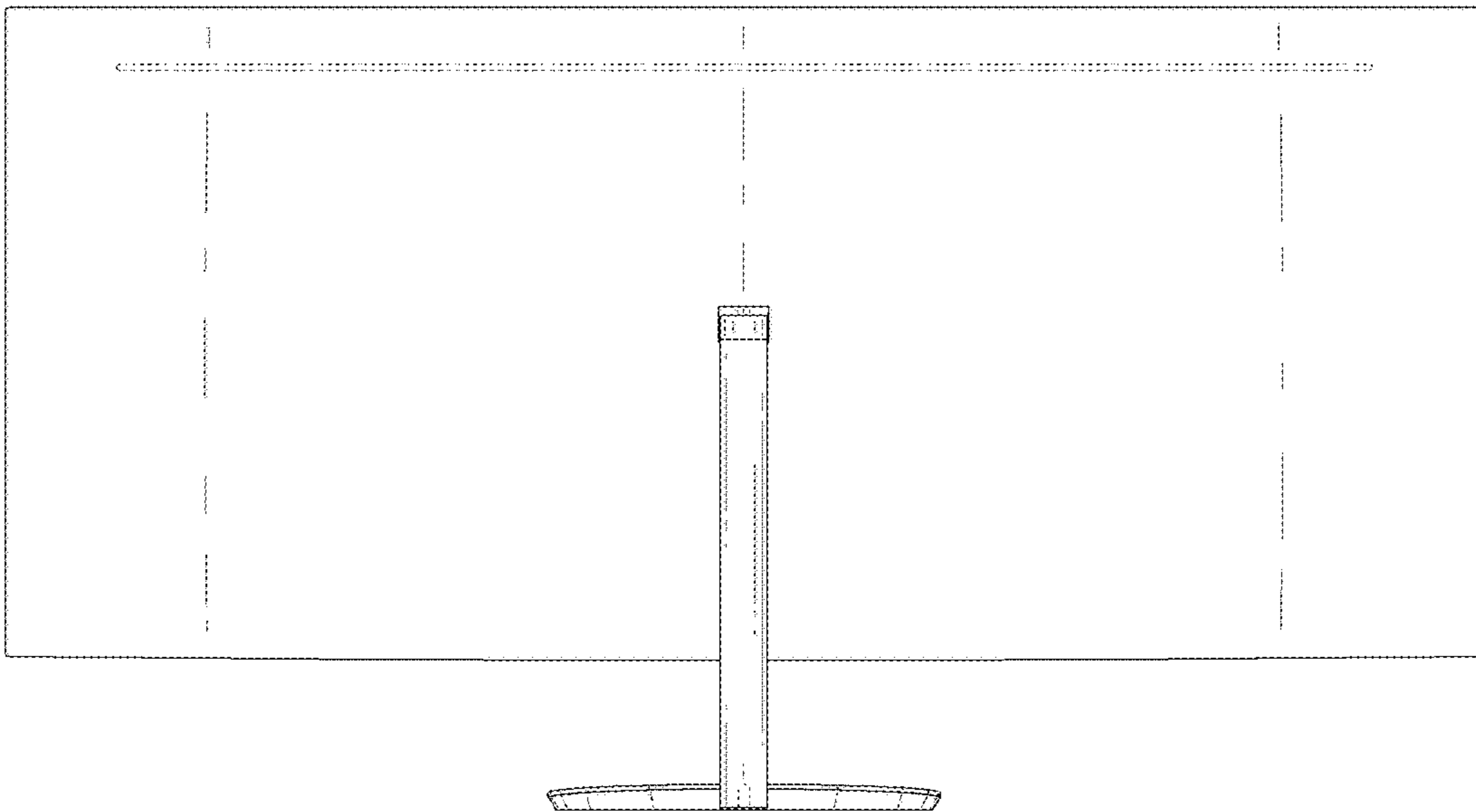


FIG. 4

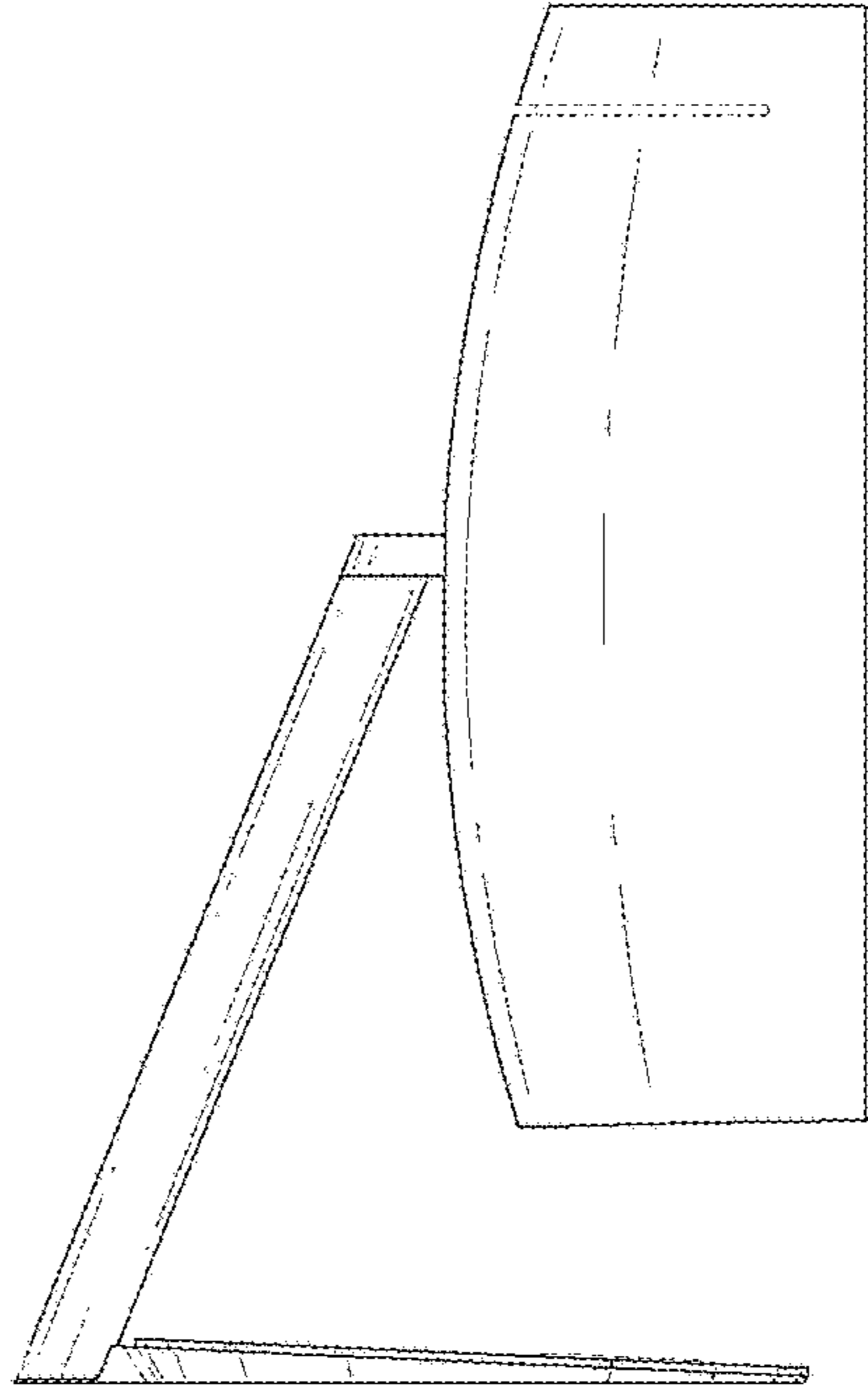


FIG. 5

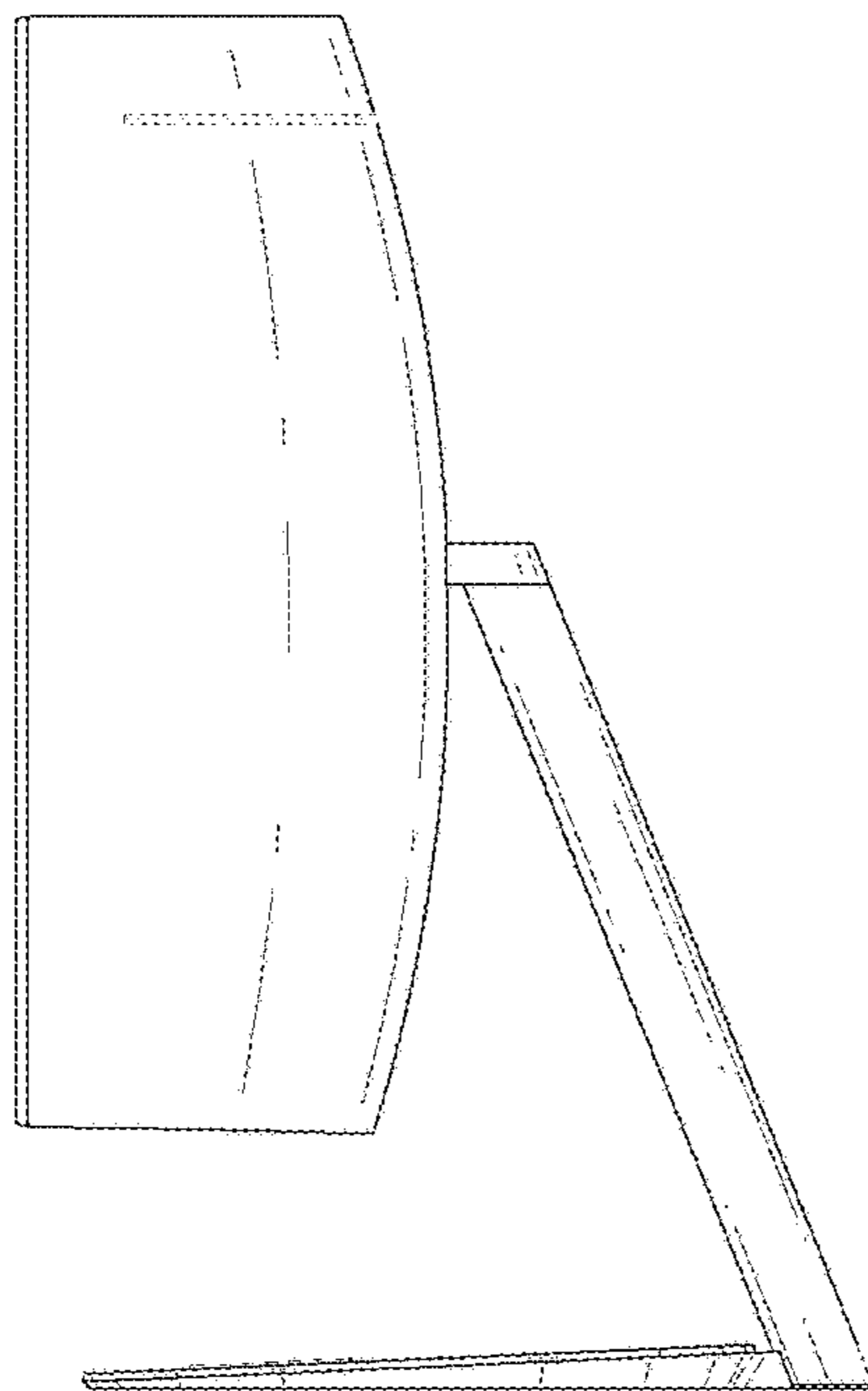


FIG. 6

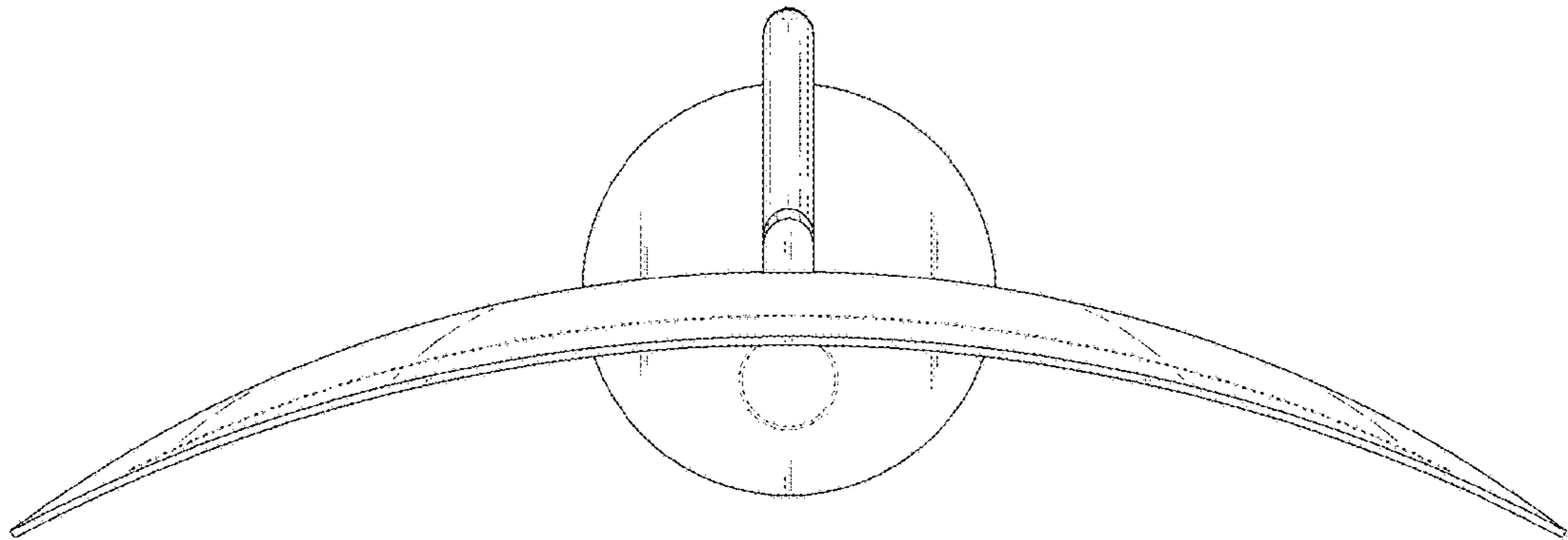


FIG. 7

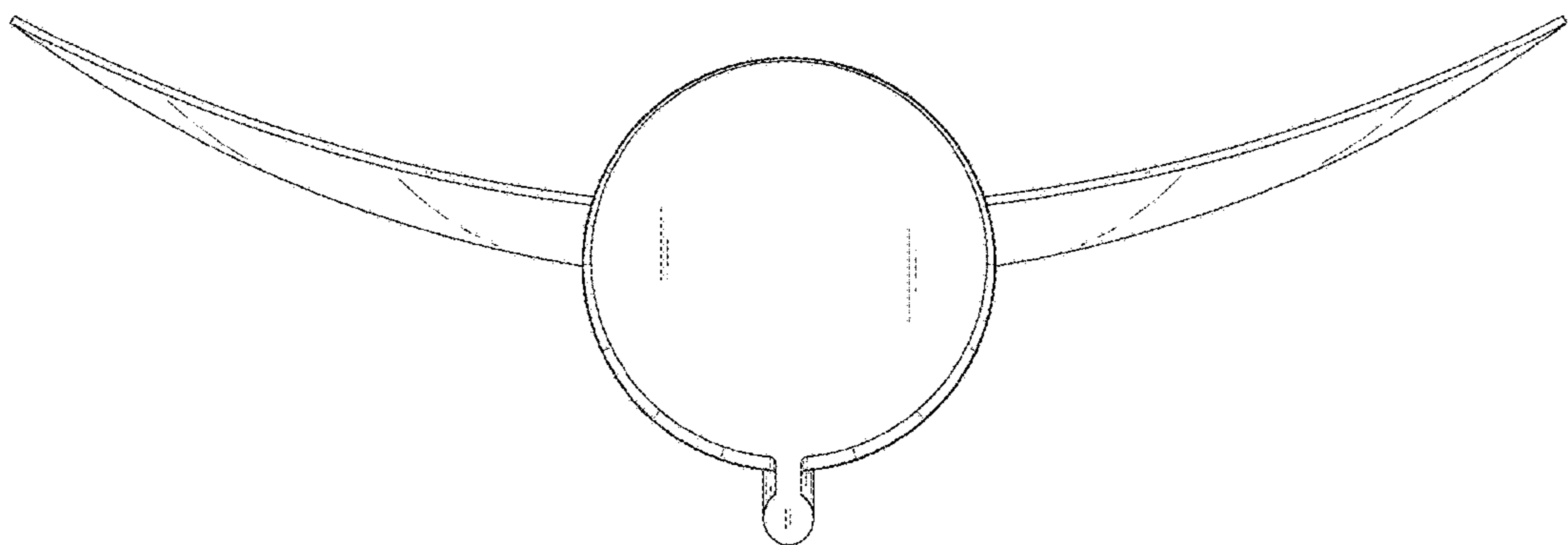


FIG. 8

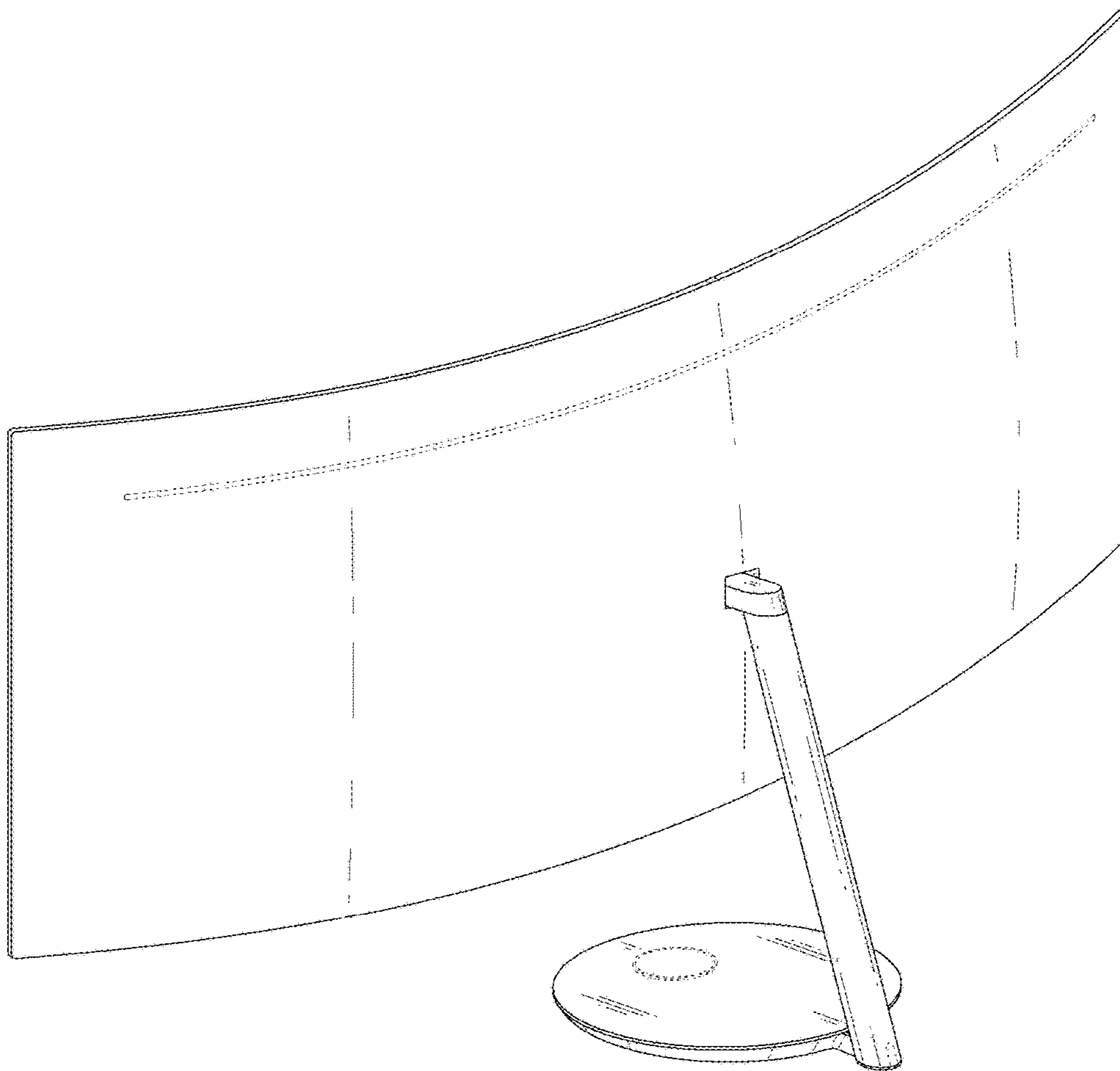


FIG. 9

