



US00D797736S

(12) **United States Design Patent** (10) **Patent No.:** **US D797,736 S**
Chu (45) **Date of Patent:** **** Sep. 19, 2017**

(54) **MONITOR**

(71) Applicant: **Hewlett-Packard Development Company, L.P.**, Houston, TX (US)

(72) Inventor: **Henry Chu**, Palo Alto, CA (US)

(73) Assignee: **Hewlett-Packard Development Company, L.P.**, Houston, TX (US)

(**) Term: **15 Years**

(21) Appl. No.: **29/553,506**

(22) Filed: **Feb. 2, 2016**

(51) **LOC (10) Cl.** **14-02**

(52) **U.S. Cl.**
USPC **D14/374**

(58) **Field of Classification Search**
USPC D14/371-375, 125-129, 336, 337, 341, D14/239, 434, 316, 317; 341/12; 345/104, 156, 168, 173; 348/180, 184, 348/325, 739; 349/1, 2, 11, 62; 361/679.05-679.07, 679.21; D6/300, 308
CPC G06F 1/16; G06F 1/1601; G06F 3/037; G06F 1/162; G06F 1/1613; G06F 1/133308; F16M 11/02; F16M 11/10; F16M 11/00; F16M 11/06; F16M 11/18; F16M 11/045; F16M 11/105; F16M 11/041; F16M 11/126

See application file for complete search history.

(56) **References Cited**

U.S. PATENT DOCUMENTS

D580,896 S * 11/2008 Niitsu D14/126
D597,976 S * 8/2009 Gredler D14/126
D620,907 S * 8/2010 Shimizu D14/126
D635,107 S * 3/2011 Chu D14/126

D648,336 S * 11/2011 Yagi D14/374
D694,750 S * 12/2013 Shin D14/337
D729,799 S * 5/2015 Jung D14/374
2006/0237599 A1 * 10/2006 Ternus F16M 11/10
248/176.1

* cited by examiner

Primary Examiner — Freda S Nunn

(74) *Attorney, Agent, or Firm* — Morgan, Lewis & Bockius LLP

(57) **CLAIM**

The ornamental design for a monitor, as shown and described.

DESCRIPTION

FIG. 1 is a front, top, left-side perspective view of an embodiment of a monitor in accordance with my new design;

FIG. 2 is a front, bottom, left-side perspective view of the monitor shown in FIG. 1;

FIG. 3 is a front elevational view of the monitor shown in FIG. 1;

FIG. 4 is a rear elevational view of the monitor shown in FIG. 1;

FIG. 5 is a left-side elevational view of the monitor shown in FIG. 1;

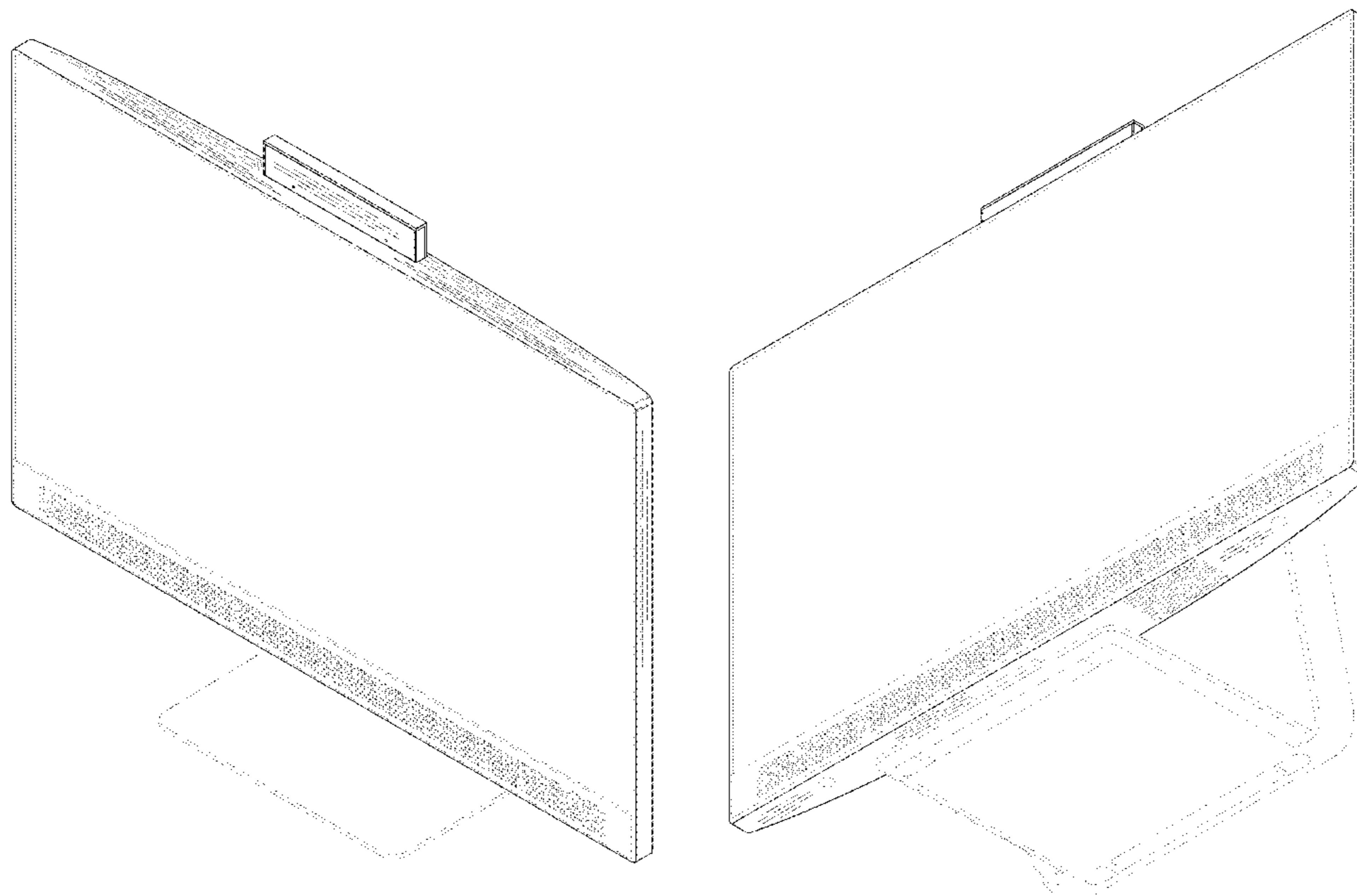
FIG. 6 is a right-side elevational view of the monitor shown in FIG. 1;

FIG. 7 is a top plan view of the monitor shown in FIG. 1; and,

FIG. 8 is a bottom plan view of the monitor shown in FIG. 1.

The broken lines shown in the drawings represent portions of the monitor that form no part of the claimed design.

1 Claim, 8 Drawing Sheets



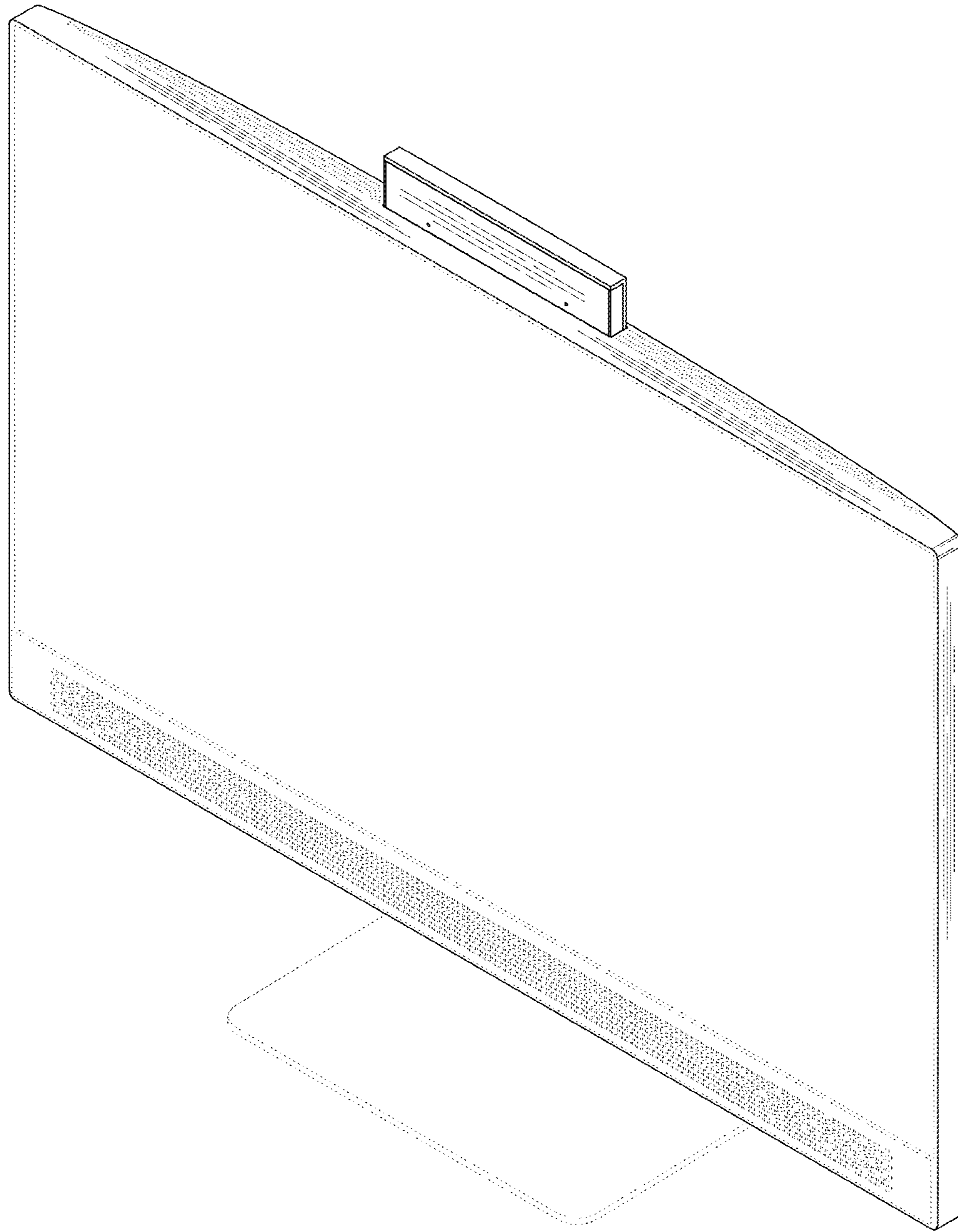


FIG. 1

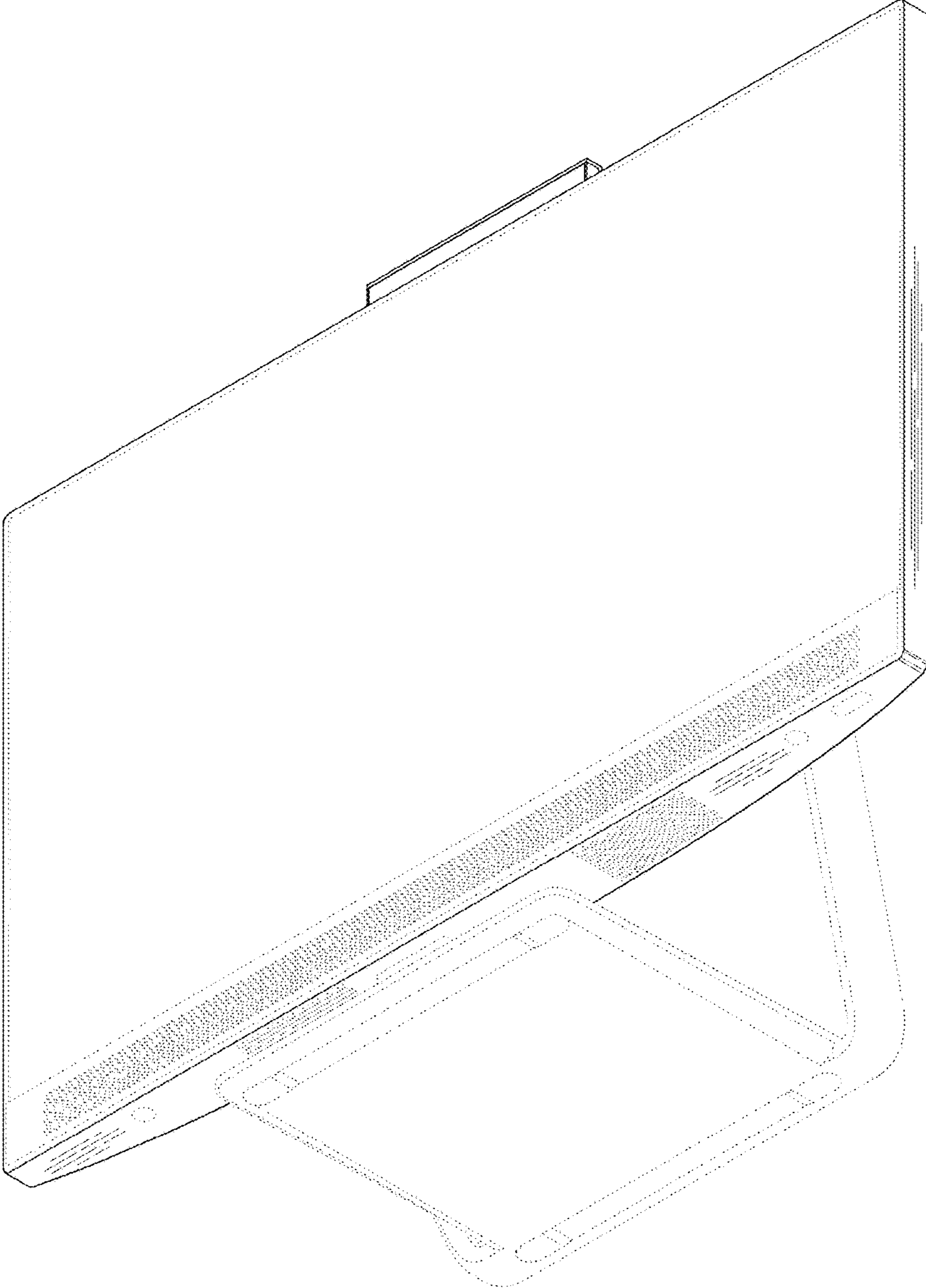


FIG. 2

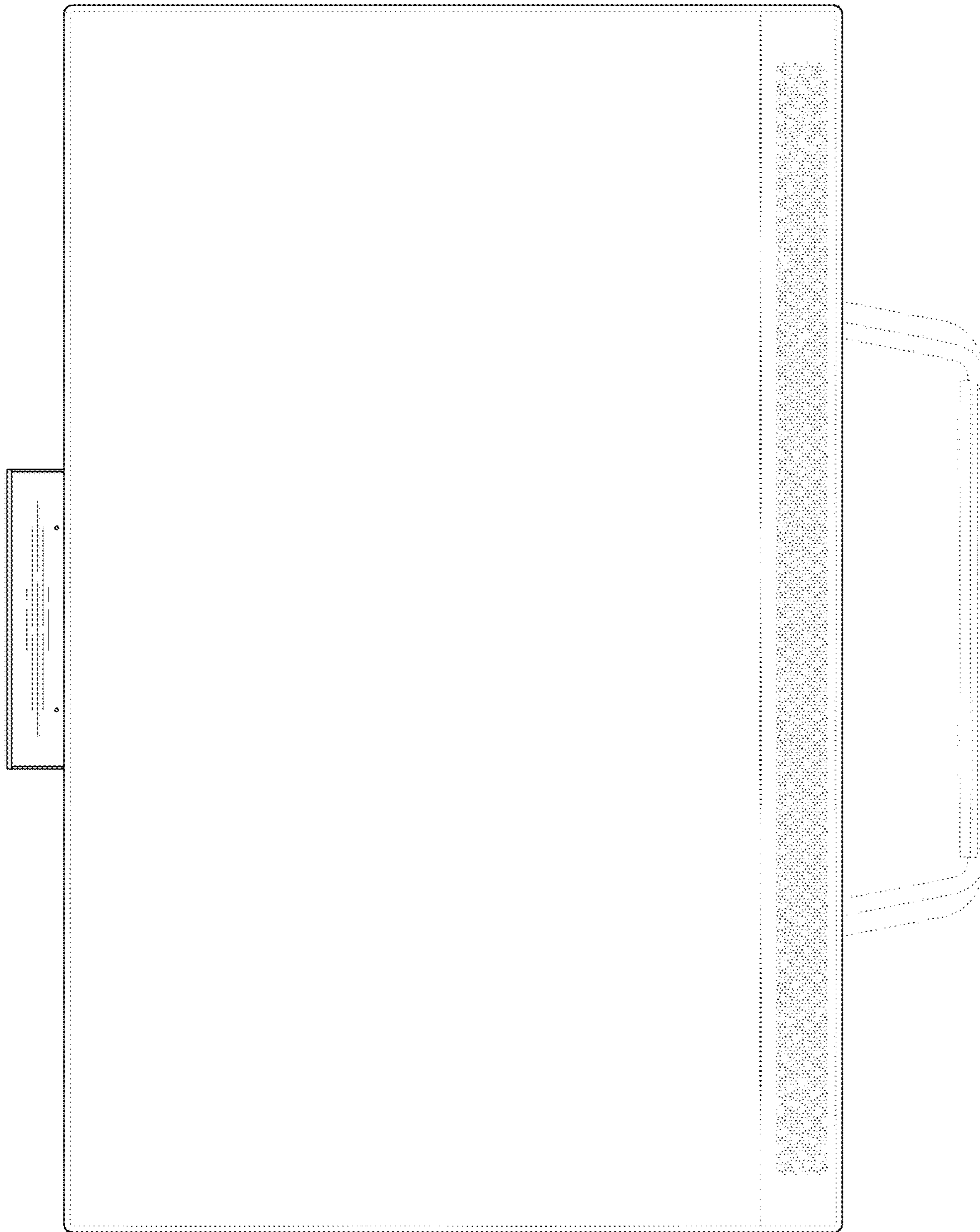


FIG. 3

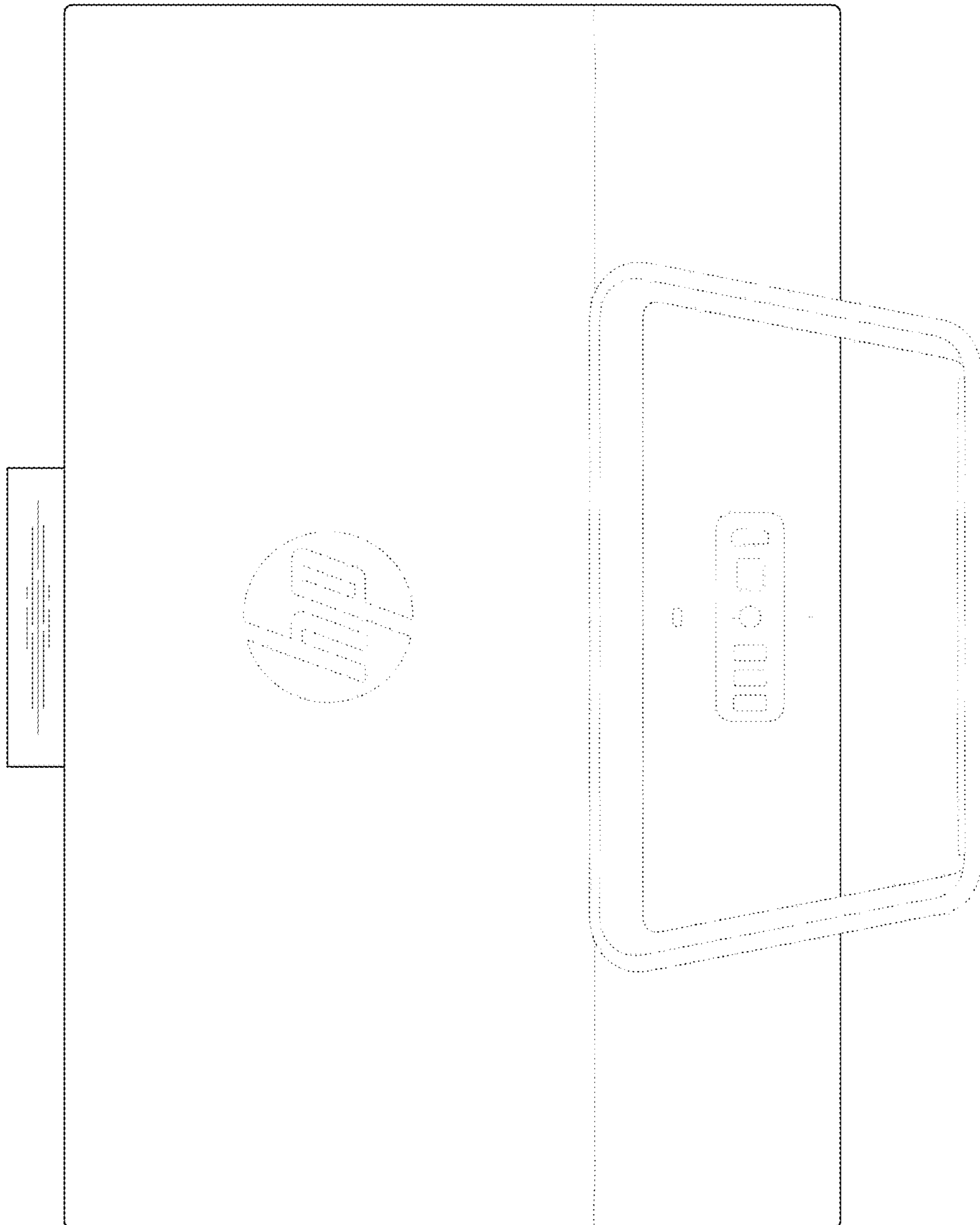


FIG. 4

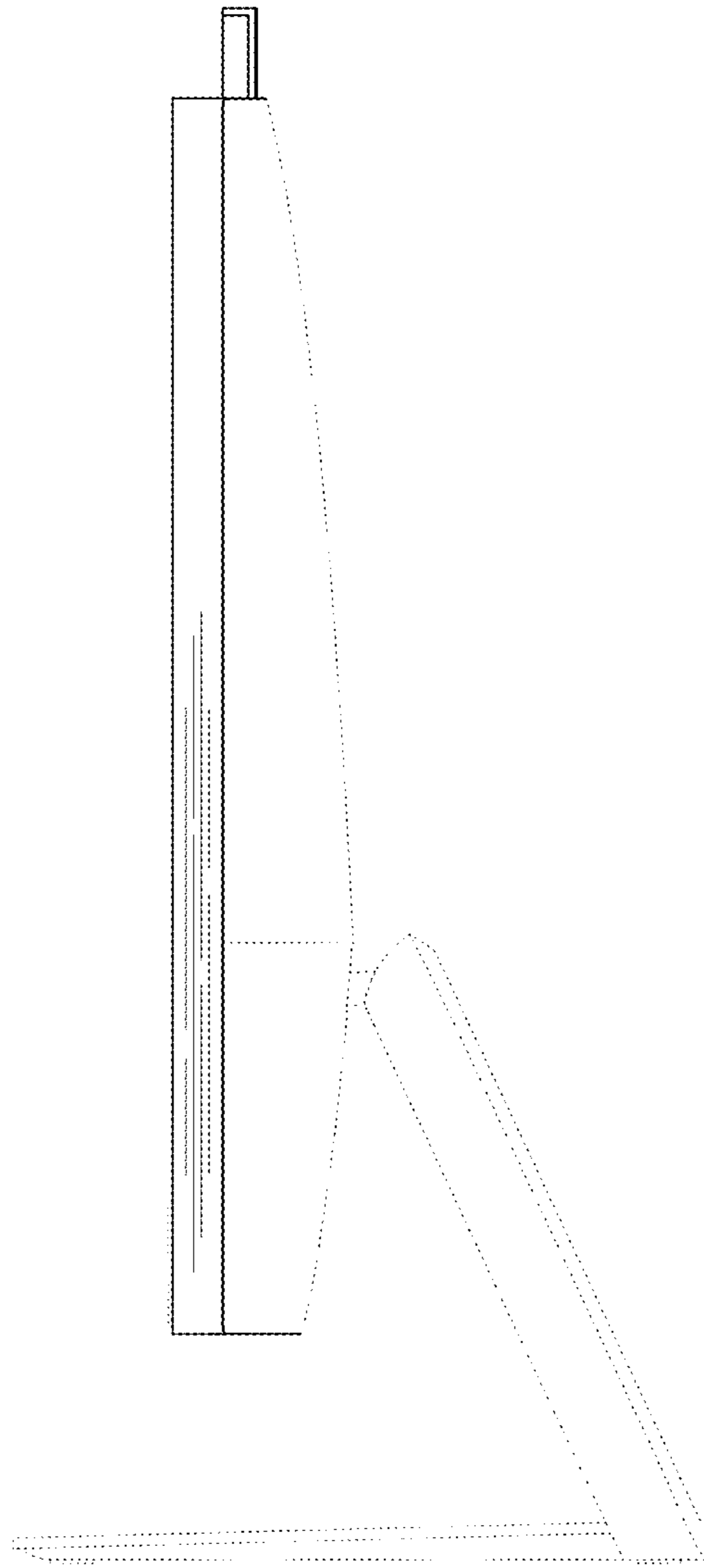


FIG. 5

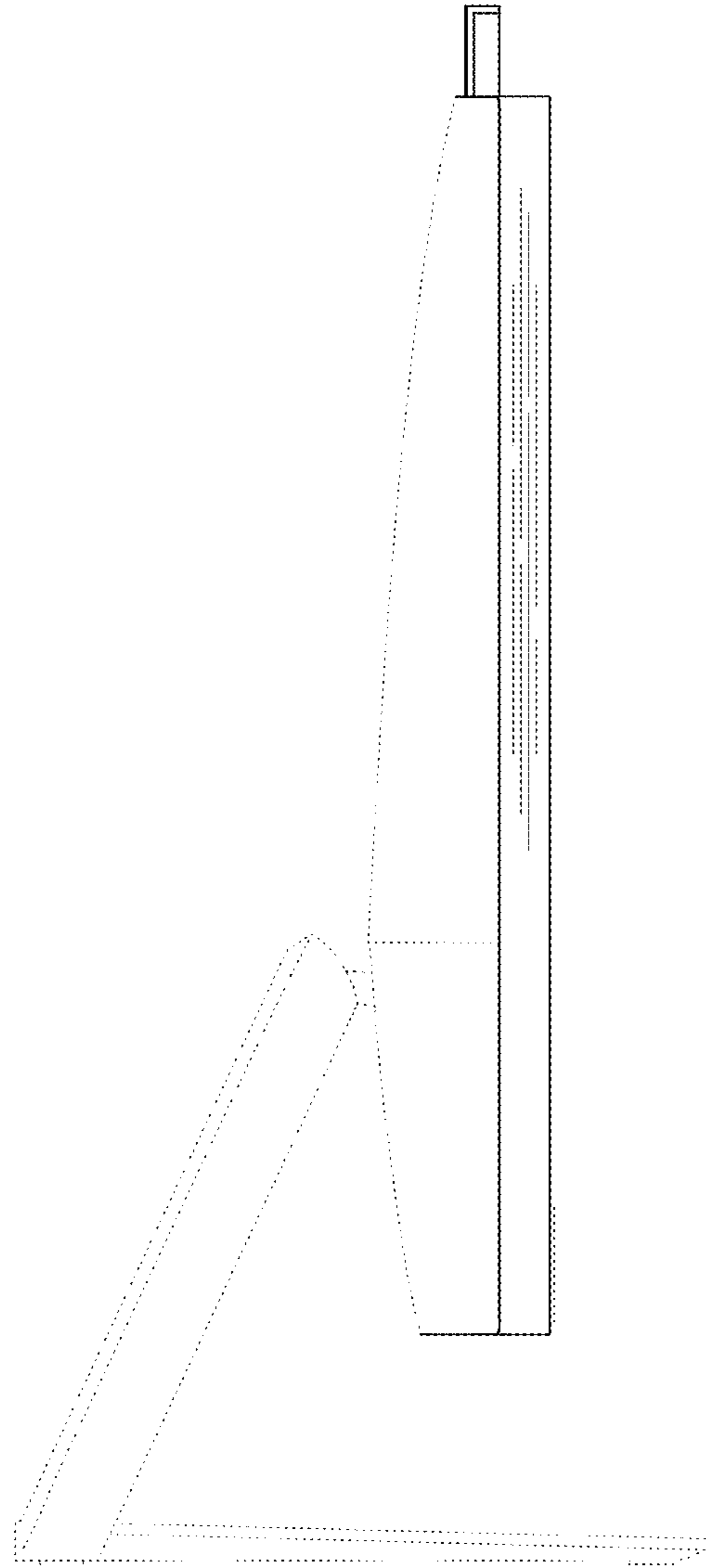


FIG. 6

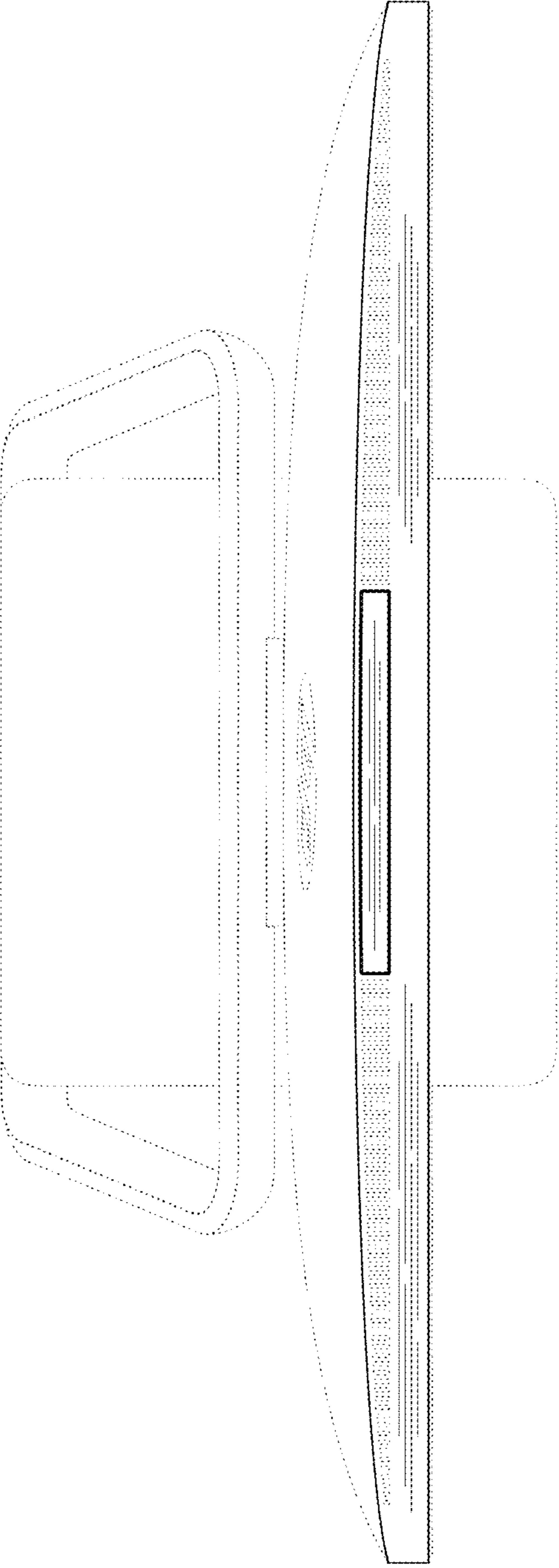


FIG. 7

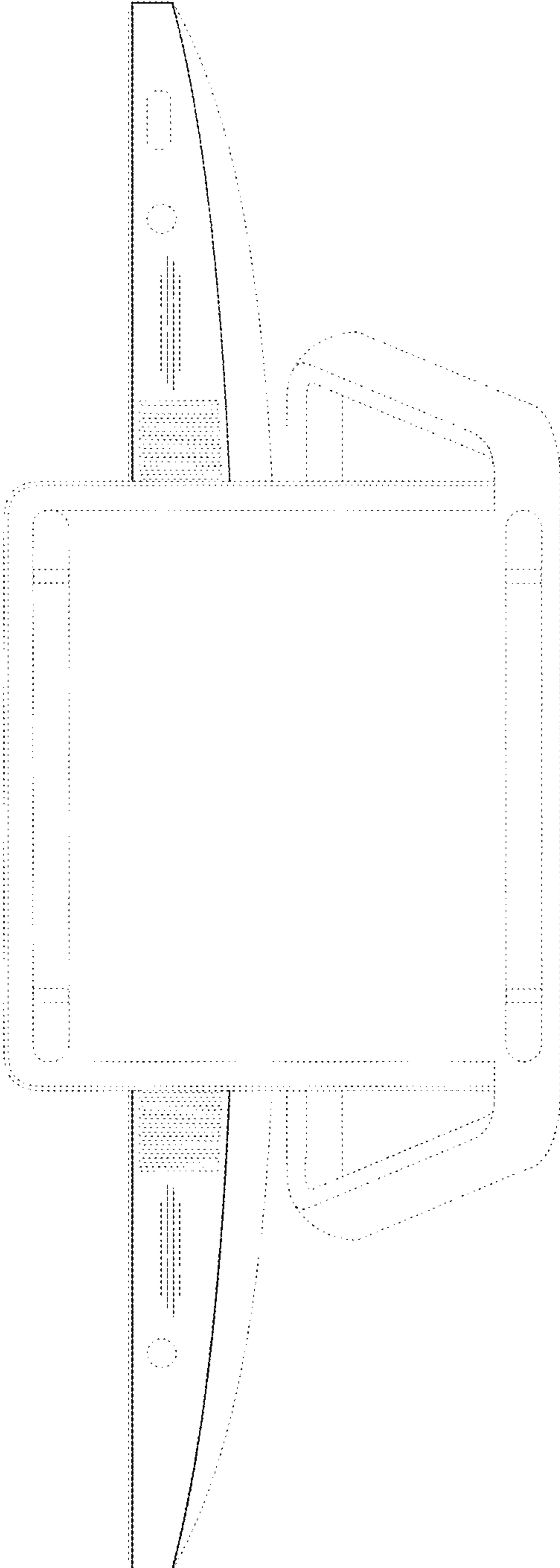


FIG. 8