



US00D797735S

(12) **United States Design Patent**
Fraser et al.

(10) **Patent No.:** **US D797,735 S**

(45) **Date of Patent:** **** Sep. 19, 2017**

(54) **MIXED REALITY HEAD MOUNTED DISPLAY**

(71) Applicant: **MAGIC LEAP, INC.**, Dania Beach, FL (US)

(72) Inventors: **Bradley Fraser**, Miami Beach, FL (US); **Masamune Kaji**, Plantation, FL (US); **Sebastian Gonzalo Arrieta Günther**, Miami, FL (US); **Shigeru Natsume**, Weston, FL (US)

(73) Assignee: **MAGIC LEAP, INC.**, Plantation, FL (US)

(**) Term: **15 Years**

(21) Appl. No.: **29/575,027**

(22) Filed: **Aug. 22, 2016**

(51) **LOC (10) Cl.** **14-02**

(52) **U.S. Cl.**
USPC **D14/372**

(58) **Field of Classification Search**
USPC D14/372, 496, 432, 371, 125, 126, 129, D14/299; D16/300-342; 351/158, 153, 351/144; 345/7-9, 905; 455/344; 348/115, 53, 121, 739
CPC G02B 27/017; G02B 27/0158; G02B 27/0161; G02B 27/0181; G02B 27/0185; G02B 27/0189

See application file for complete search history.

(56) **References Cited**

U.S. PATENT DOCUMENTS

D710,427 S * 8/2014 Kim D14/372
D716,807 S * 11/2014 Yeom D14/372

D716,808 S * 11/2014 Yeom D14/372
D719,567 S * 12/2014 Kim D14/372
D719,952 S * 12/2014 Kim D14/372
D732,024 S * 6/2015 Heinrich D14/372
D732,025 S * 6/2015 Heinrich D14/372
D738,420 S * 9/2015 Lee D14/372
D740,814 S * 10/2015 Bosveld D14/372
D746,818 S * 1/2016 Cho D14/372
D751,551 S * 3/2016 Ho D14/372
D765,075 S * 8/2016 Rochat D14/372
D765,076 S * 8/2016 Rochat D14/372
D766,895 S * 9/2016 Choi D14/372
D768,627 S * 10/2016 Rochat D14/372
D768,628 S * 10/2016 Choi D14/372
D769,242 S * 10/2016 Kymm D14/372

* cited by examiner

Primary Examiner — Austin Murphy

(74) *Attorney, Agent, or Firm* — Vista IP Law Group, LLP

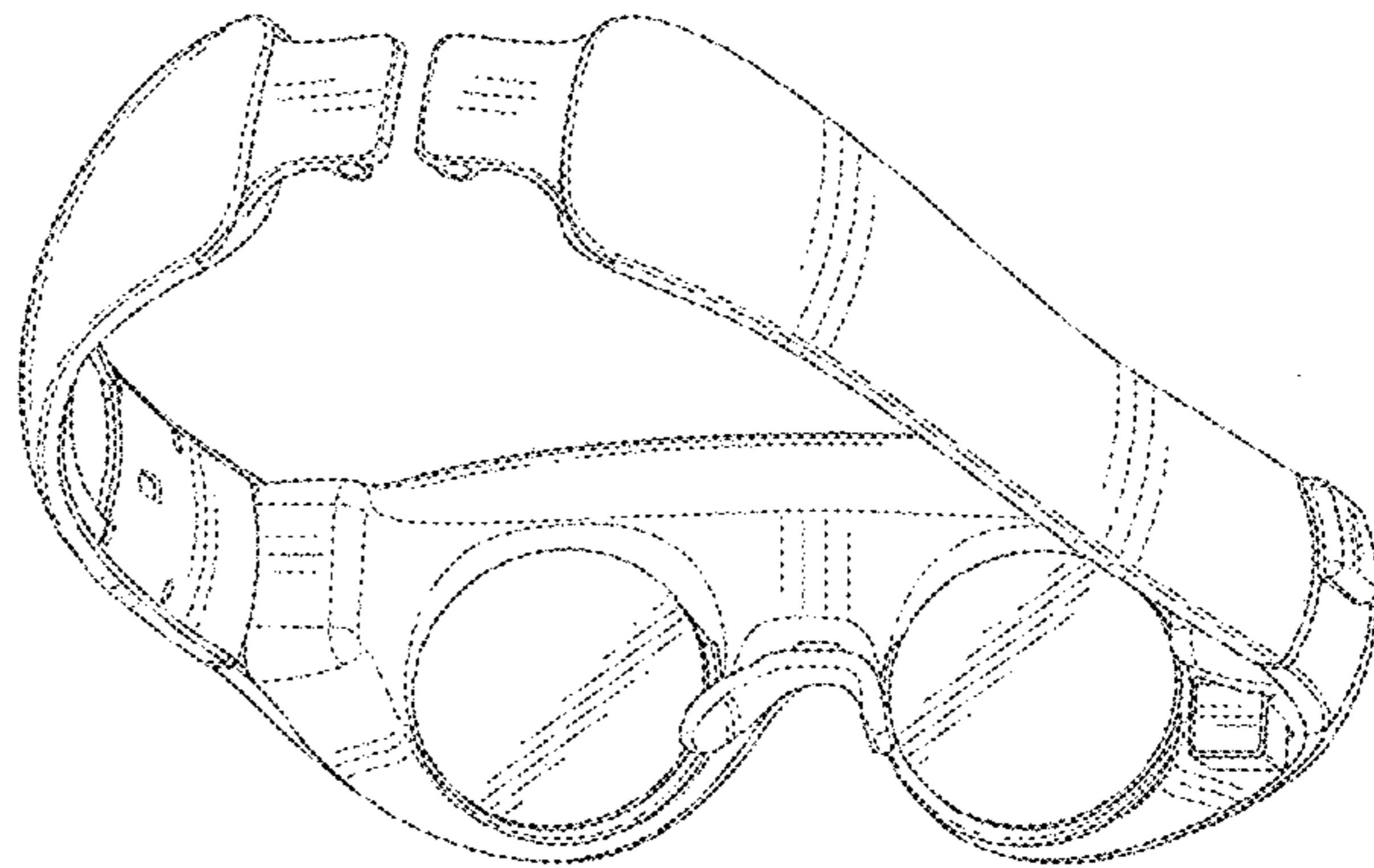
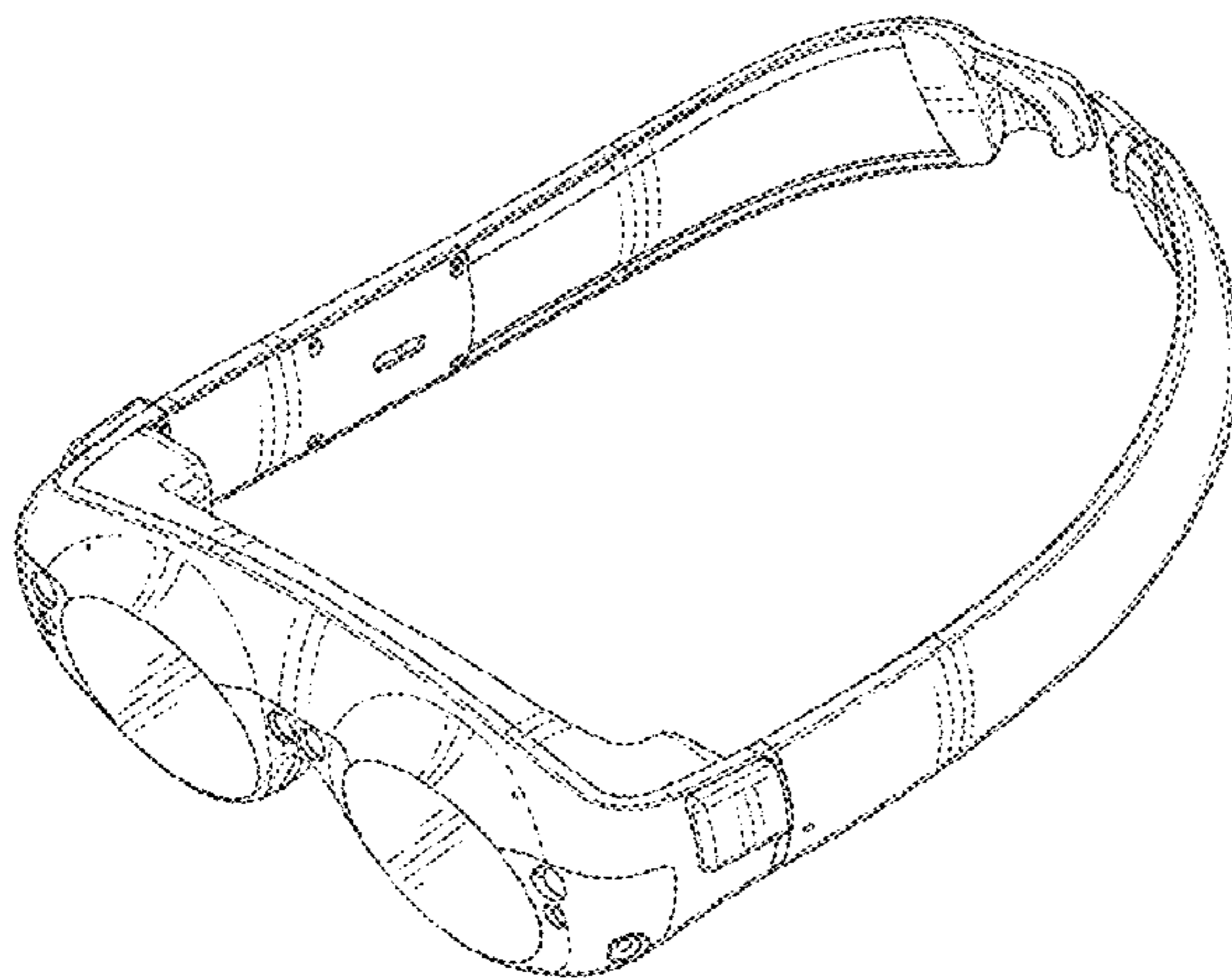
(57) **CLAIM**

We claim the ornamental design for a mixed reality head mounted display, as shown and described.

DESCRIPTION

FIG. 1 is a front perspective view of a mixed reality head mounted display showing our design;
FIG. 2 is a back perspective view thereof;
FIG. 3 is a front view thereof;
FIG. 4 is a rear view thereof;
FIG. 5 is a left side view thereof;
FIG. 6 is a right side view thereof;
FIG. 7 is a top view thereof; and,
FIG. 8 is a bottom view thereof.

1 Claim, 8 Drawing Sheets



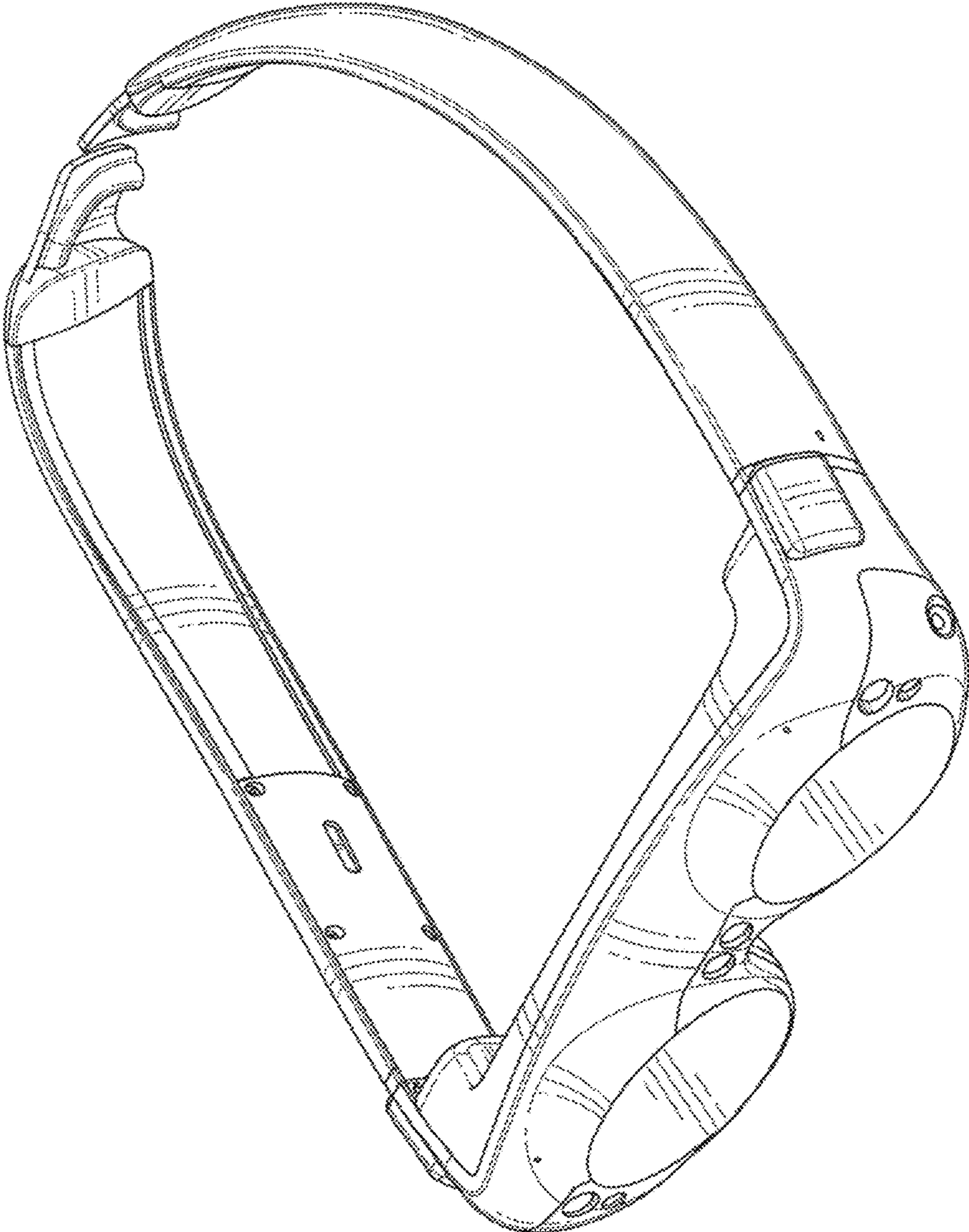


FIG. 1

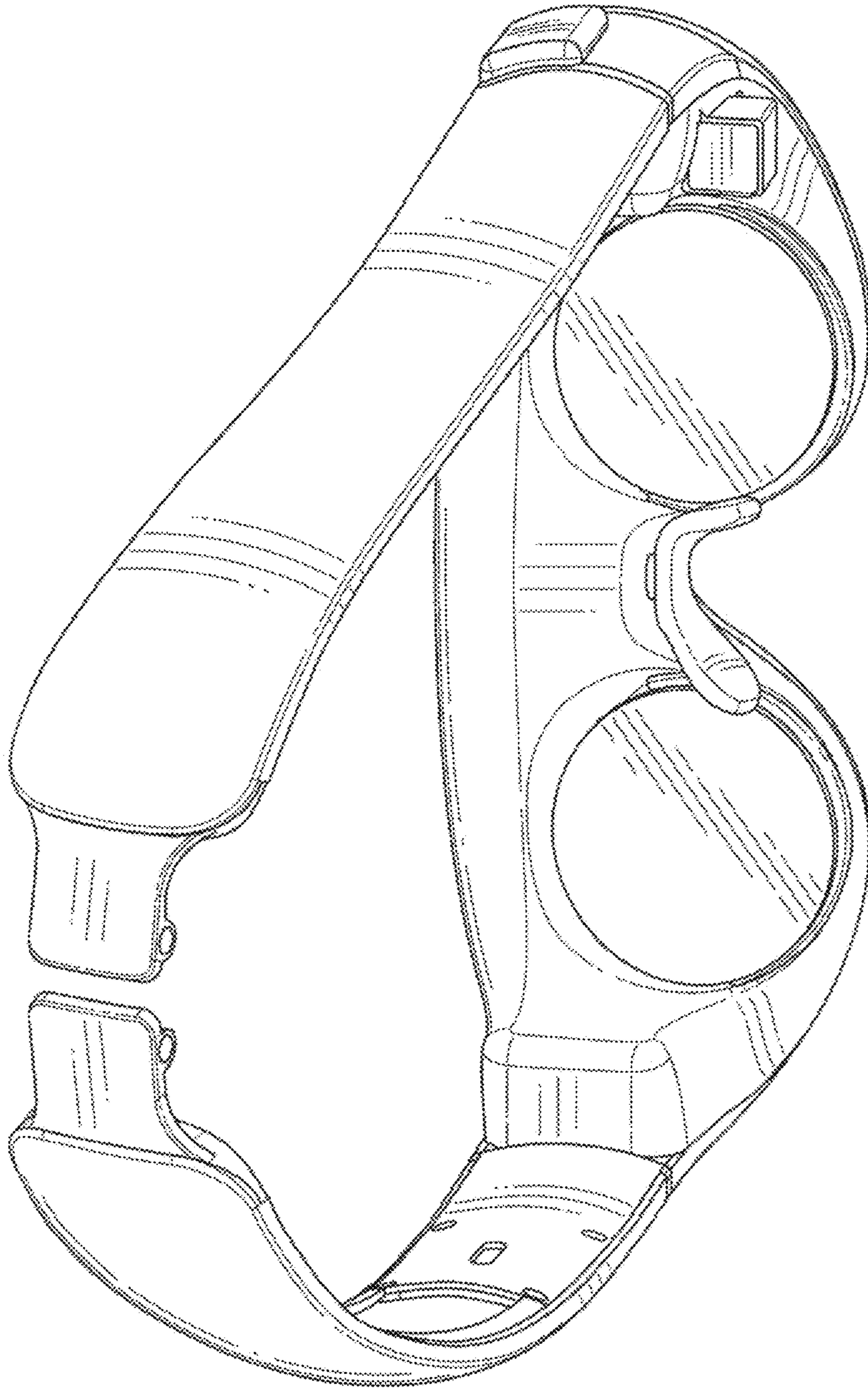


FIG. 2

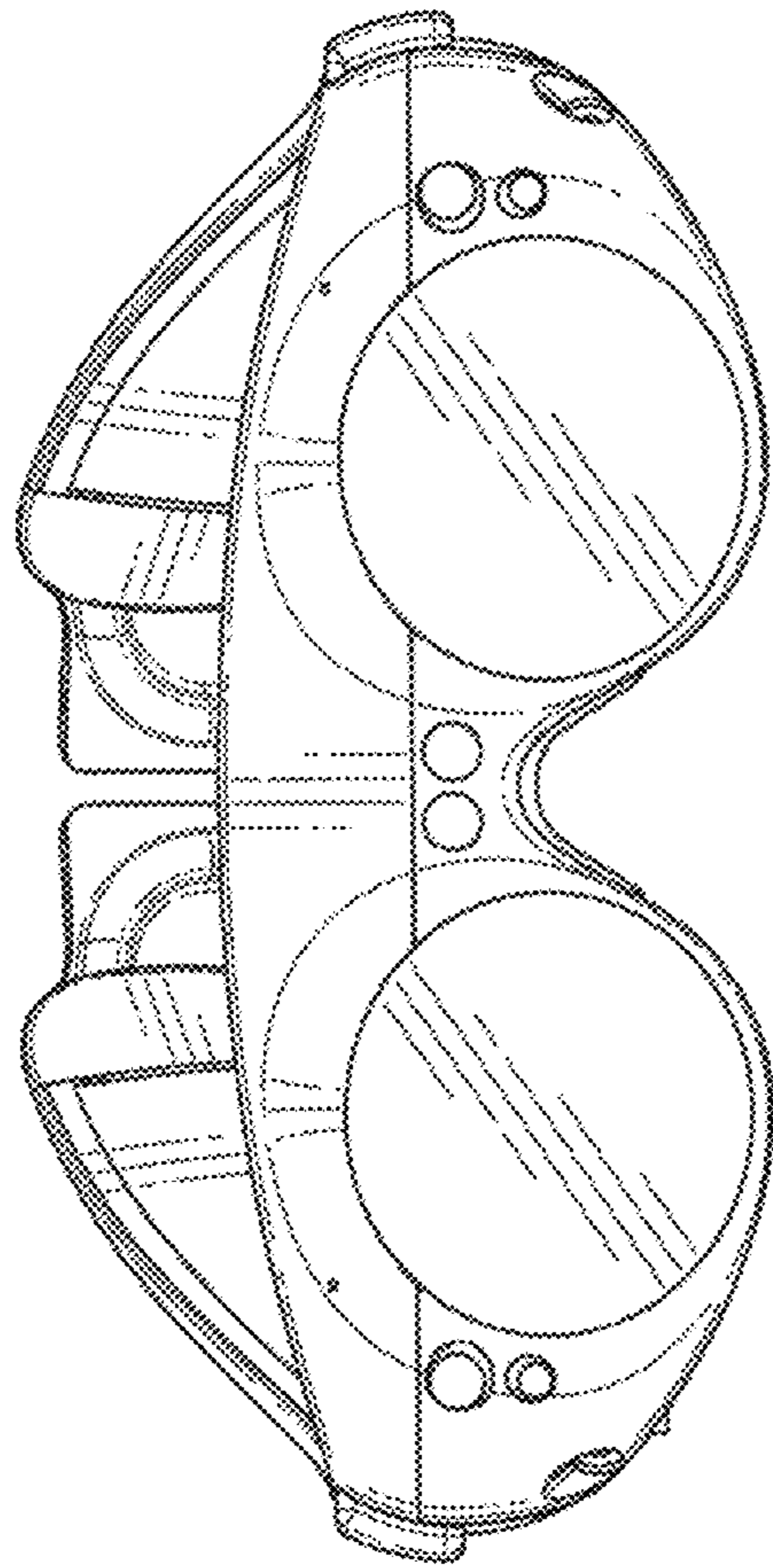


FIG. 3

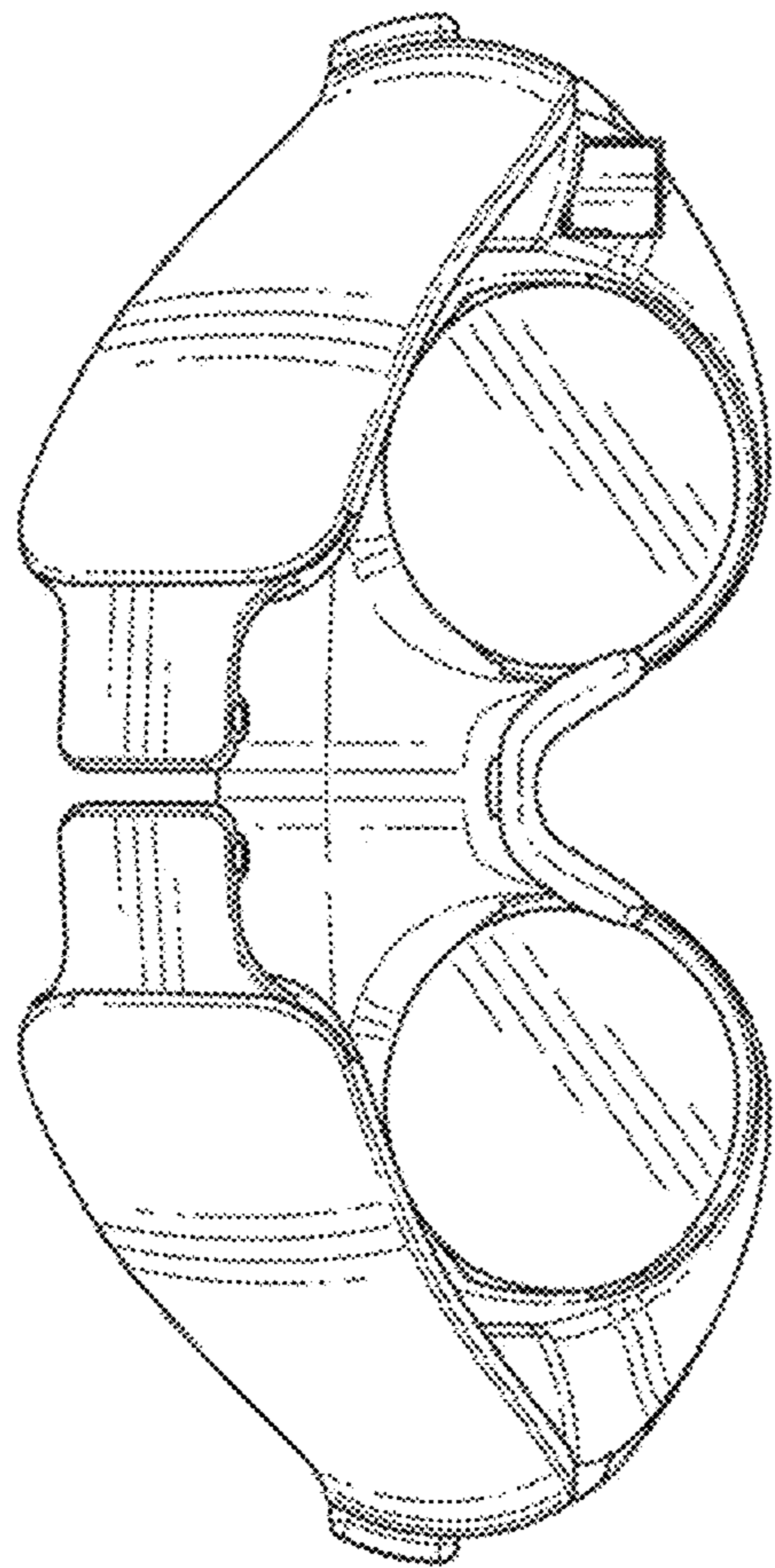


FIG. 4

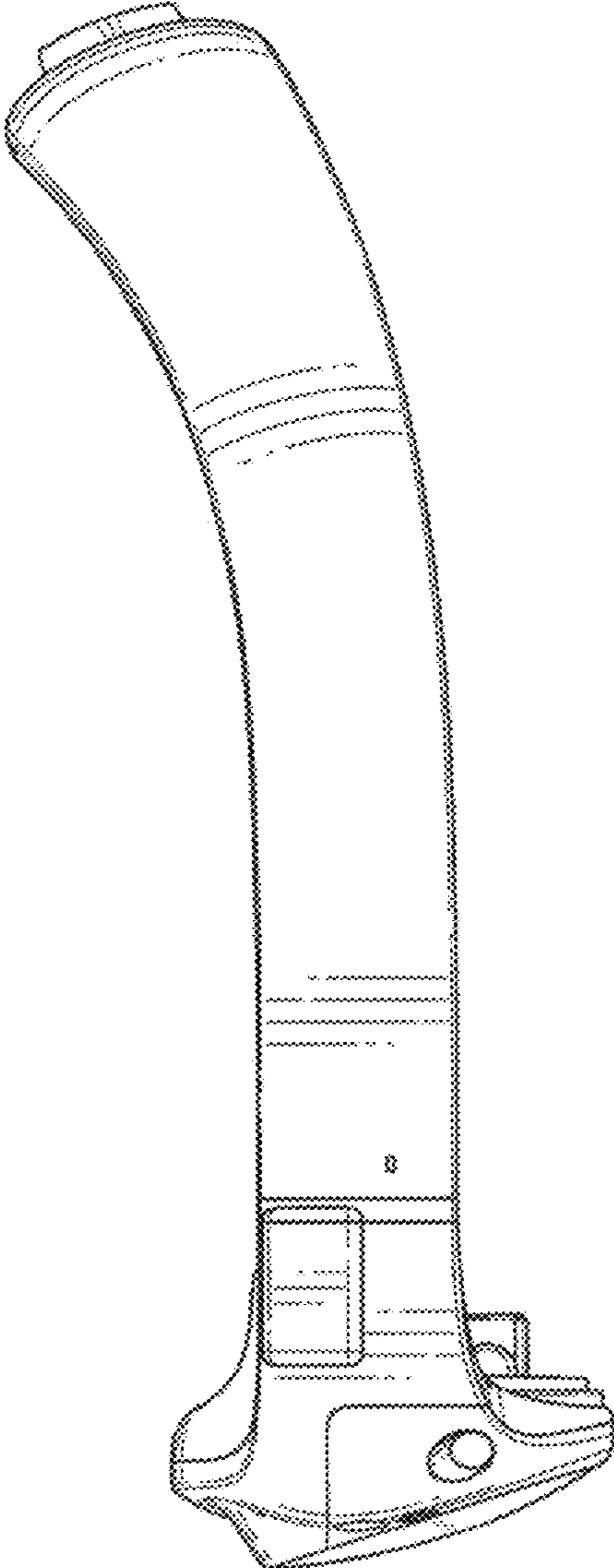


FIG. 5

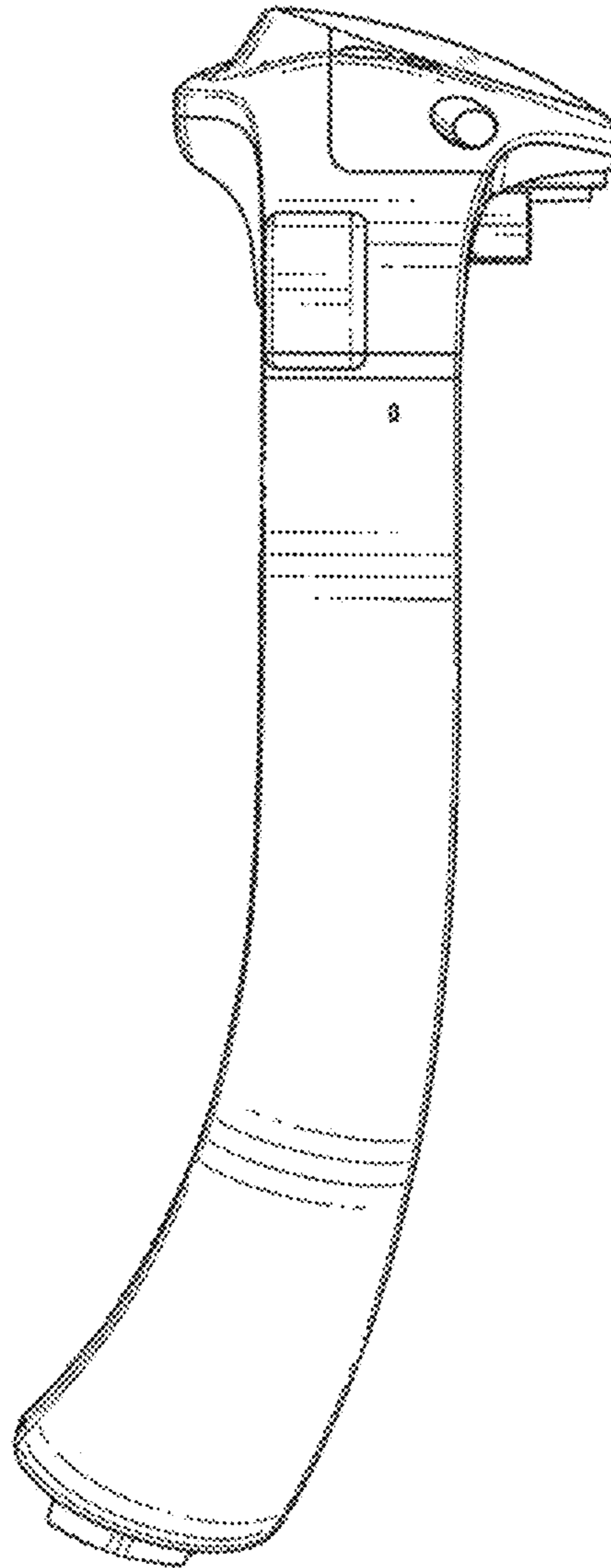


FIG. 6

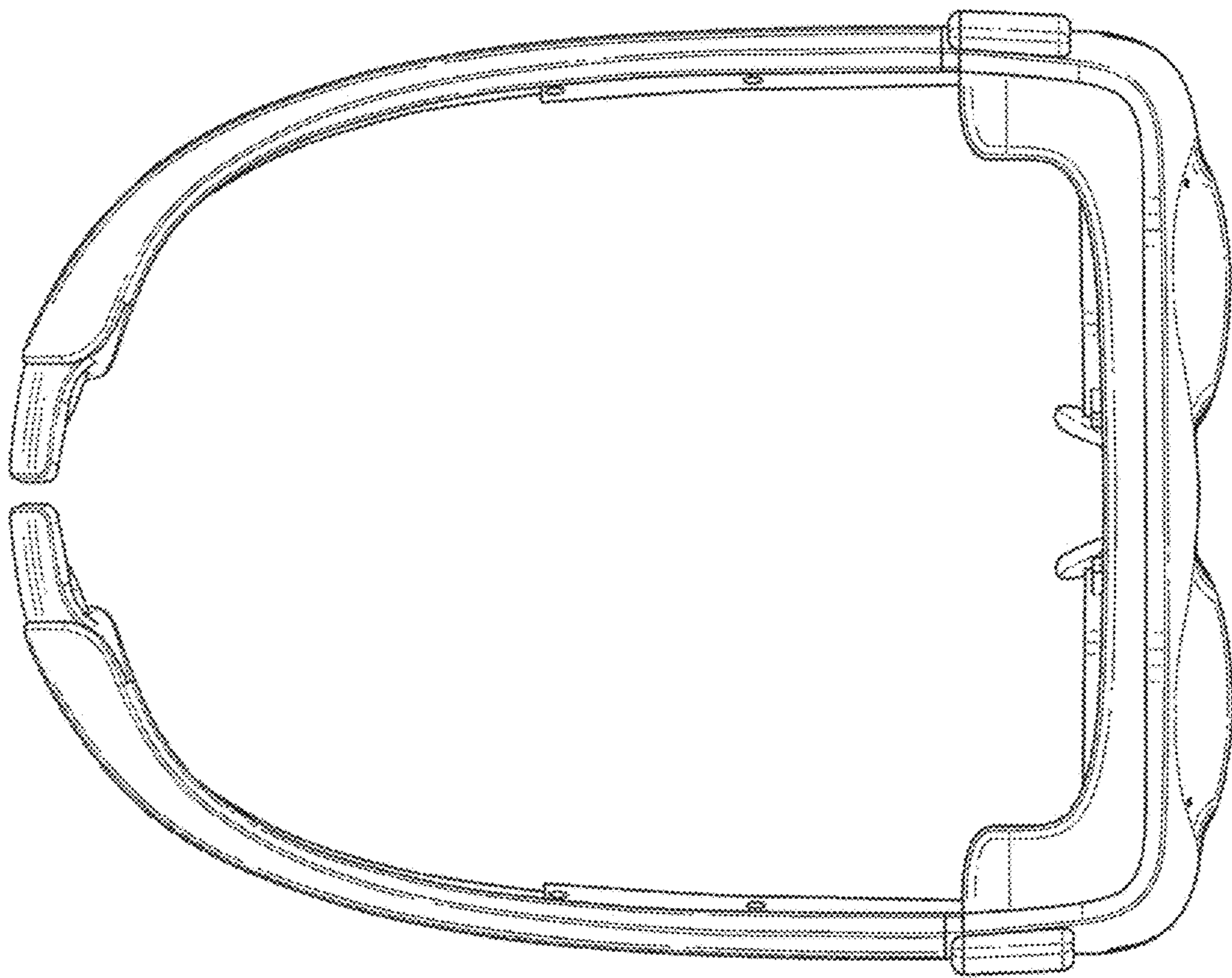


FIG. 7

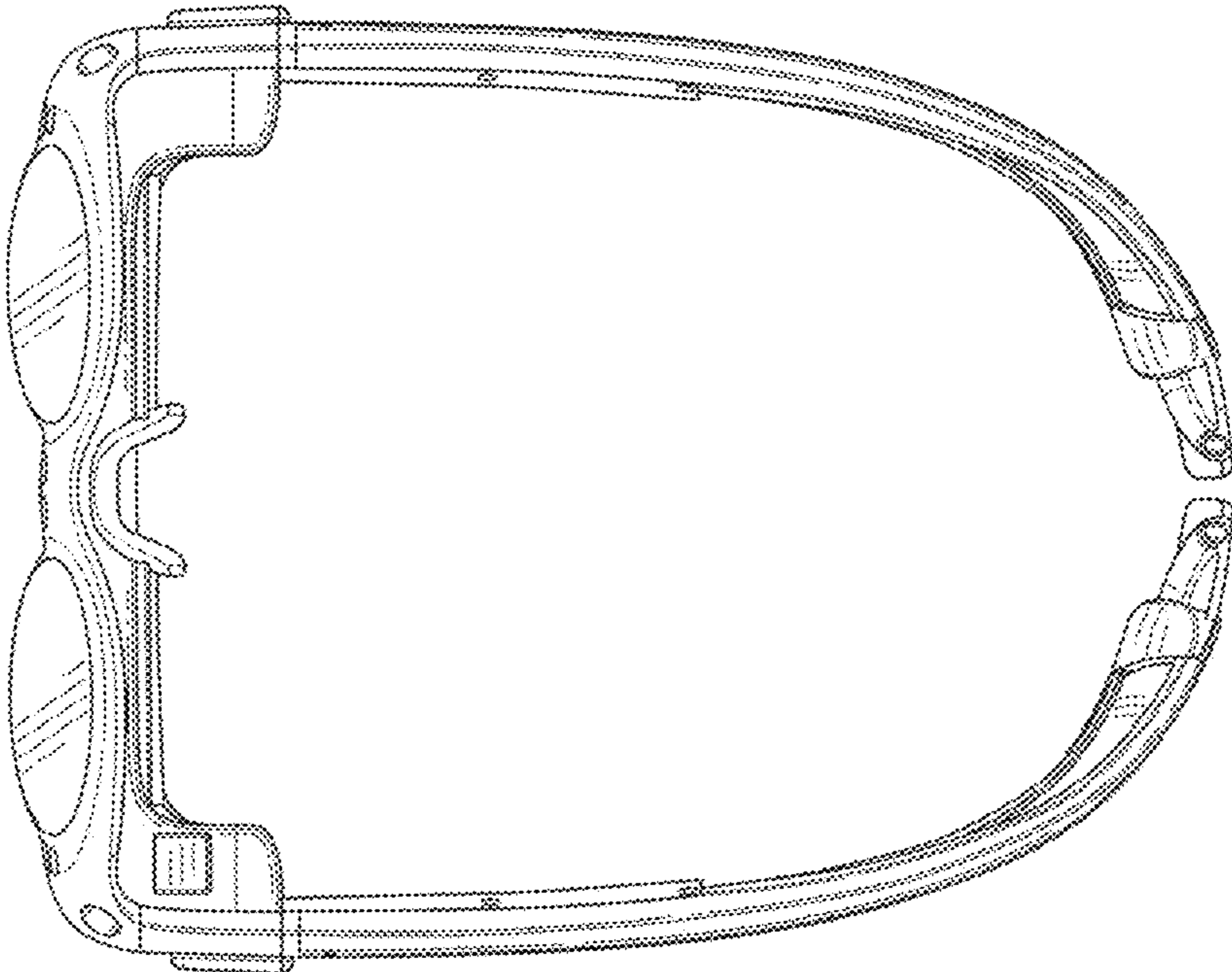


FIG. 8