



US00D797731S

(12) **United States Design Patent**  
**Chong et al.**

(10) **Patent No.:** **US D797,731 S**  
(45) **Date of Patent:** **\*\* Sep. 19, 2017**

(54) **DISPLAY DEVICE**

(71) Applicant: **SAMSUNG DISPLAY CO., LTD.**,  
Yongin-si, Gyeonggi-do (KR)

(72) Inventors: **Jong Ho Chong**, Hwaseong-si (KR);  
**Su Young Kim**, Seoul (KR)

(73) Assignee: **Samsung Display Co., Ltd.**, Yongin-si  
(KR)

(\*\*) Term: **15 Years**

(21) Appl. No.: **29/563,284**

(22) Filed: **May 3, 2016**

(30) **Foreign Application Priority Data**

Nov. 6, 2015 (KR) ..... 30-2015-0056020

(51) **LOC (10) Cl.** ..... **14-02**

(52) **U.S. Cl.**  
USPC ..... **D14/371**

(58) **Field of Classification Search**  
USPC ..... D14/371–375, 125–129, 336, 337, 341,  
D14/345, 485; 341/12; 345/104, 156,  
345/168, 173; 348/180, 184, 325, 739;  
349/1, 2, 11, 62; 361/679.05–679.07,  
361/679.21; D6/300, 301, 308, 310;  
D16/241  
CPC ..... G06F 1/16; G06F 1/1601; G06F 3/037;  
G06F 1/162; G06F 1/1626; G06F 1/1652;  
G06F 1/1656; G06F 1/1616; G06F  
1/1647; G06F 1/1679; G09G 2380/02;  
G09G 2340/0464; G09G 2320/0238;  
H05K 5/0017; H05K 5/0217; H05K  
1/028; G02F 1/133305  
See application file for complete search history.

(56) **References Cited**

**U.S. PATENT DOCUMENTS**

D584,726 S \* 1/2009 Morita ..... D14/341  
D588,126 S \* 3/2009 Chiang ..... D14/345

7,522,944 B2 \* 4/2009 Hyun ..... G06F 1/1616  
455/575.1  
D631,458 S \* 1/2011 Liao ..... D14/138 G  
D693,323 S \* 11/2013 Kawase ..... D14/138 AB  
D709,067 S \* 7/2014 Ahn ..... D14/345  
D710,354 S \* 8/2014 Ahn ..... D14/345

(Continued)

*Primary Examiner* — Freda S Nunn

(74) *Attorney, Agent, or Firm* — Lewis Roca Rothgerber  
Christie LLP

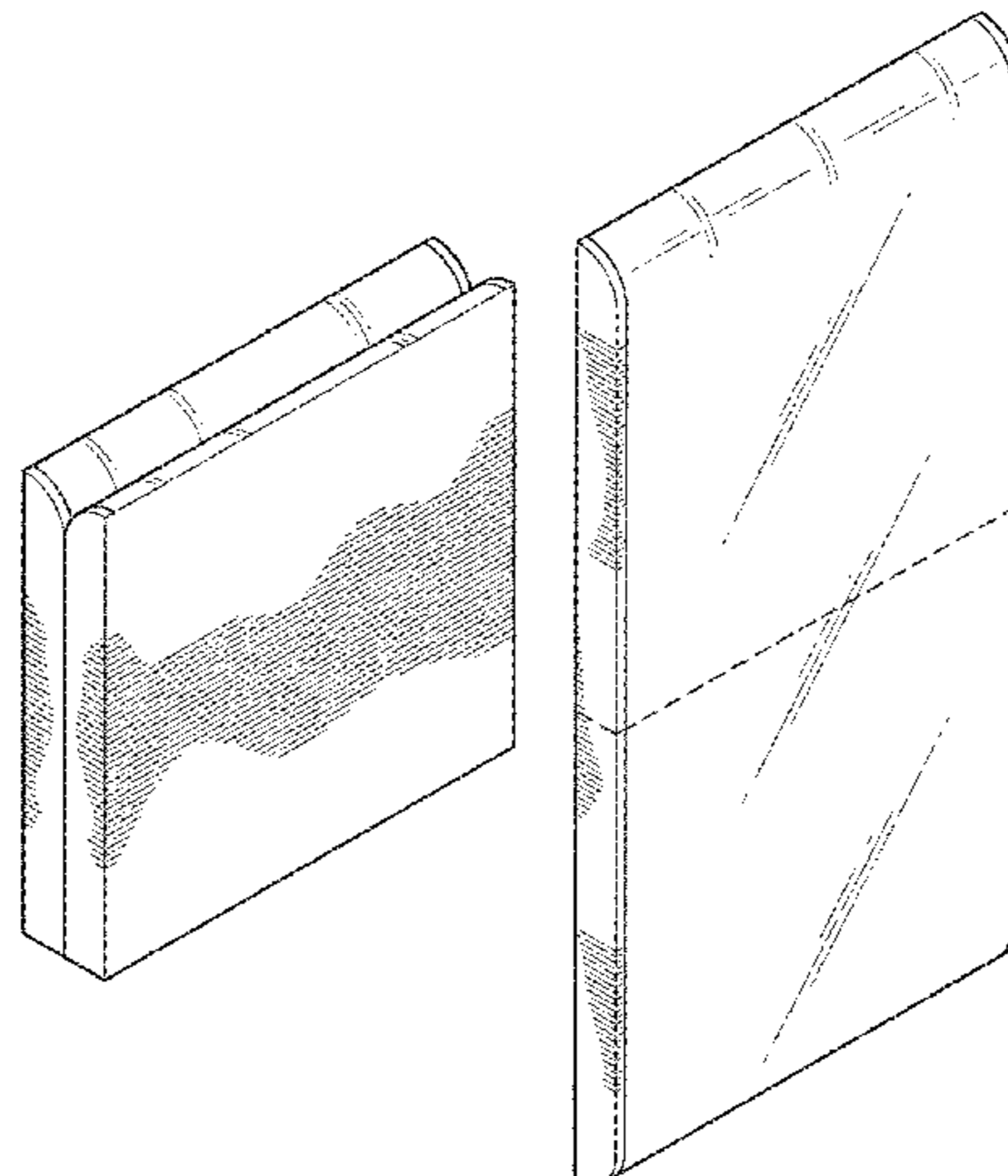
(57) **CLAIM**

The ornamental design for a display device, as shown and  
described.

**DESCRIPTION**

FIG. 1 is a perspective view of a display device in a folded  
state;  
FIG. 2 is a front view thereof, the rear view being a mirror  
image thereof;  
FIG. 3 is a left side view thereof, the right side view being  
a mirror image thereof;  
FIG. 4 is a top view thereof;  
FIG. 5 is a bottom view thereof;  
FIG. 6 is a perspective view of the display device in an  
unfolded state;  
FIG. 7 is a front view thereof;  
FIG. 8 is a rear view thereof;  
FIG. 9 is a left side view thereof, the right side view being  
a mirror image thereof;  
FIG. 10 is a top view thereof, the bottom view being a mirror  
image thereof; and,  
FIG. 11 is a top view of the display device in the folded state  
in which an image, such as icons, is displayed thereon, the  
image forming no part of the claimed design.  
The broken lines shown in the drawings illustrate portions of  
the display device that form no part of the claimed design.

**1 Claim, 11 Drawing Sheets**



(56)

**References Cited**

U.S. PATENT DOCUMENTS

8,971,031	B2 *	3/2015	Mok	.....	G06F 1/1652	349/58
2007/0242421	A1 *	10/2007	Goschin	.....	G06F 1/1616	361/679.27
2009/0322689	A1 *	12/2009	Kwong	.....	G06F 3/04883	345/173
2010/0182265	A1 *	7/2010	Kim	.....	G06F 1/1616	345/173
2010/0201604	A1 *	8/2010	Kee	.....	G06F 1/1616	345/1.3
2012/0002360	A1 *	1/2012	Seo	.....	G06F 1/1616	361/679.01
2012/0206896	A1 *	8/2012	Suzuki	.....	G06F 1/1641	361/807
2015/0029683	A1	1/2015	Kim et al.			

\* cited by examiner

FIG. 1

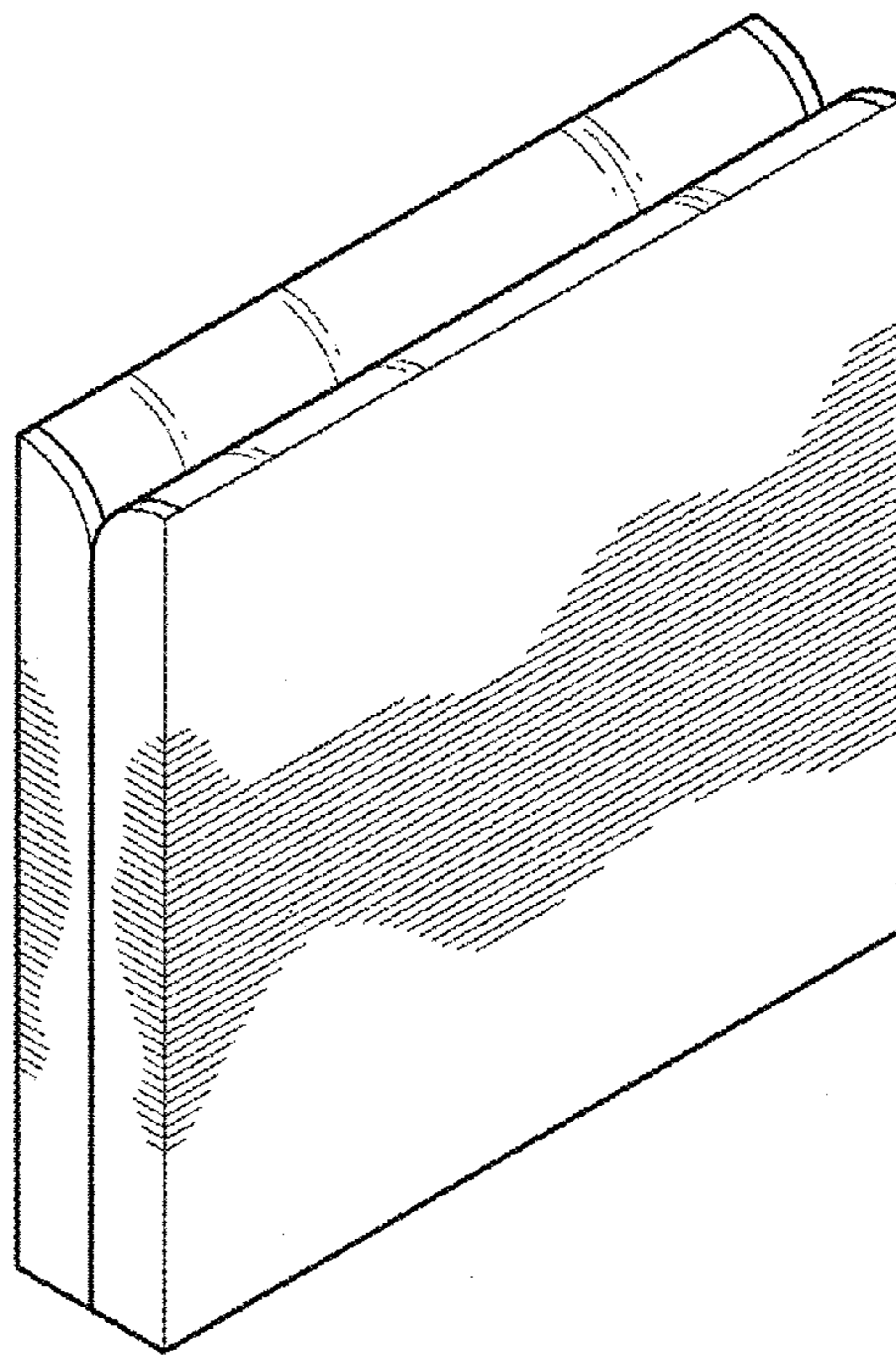


FIG. 2

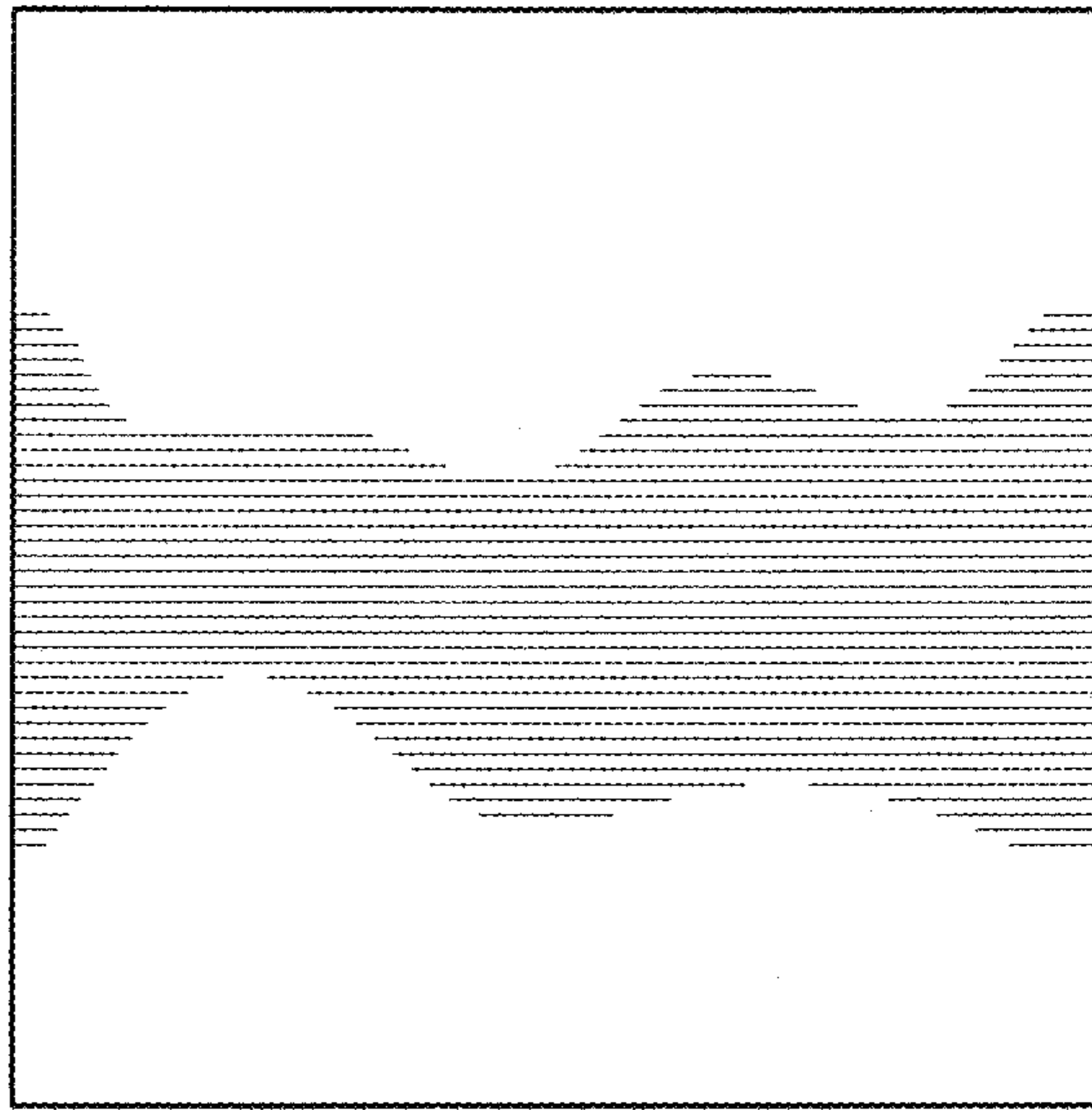


FIG. 3

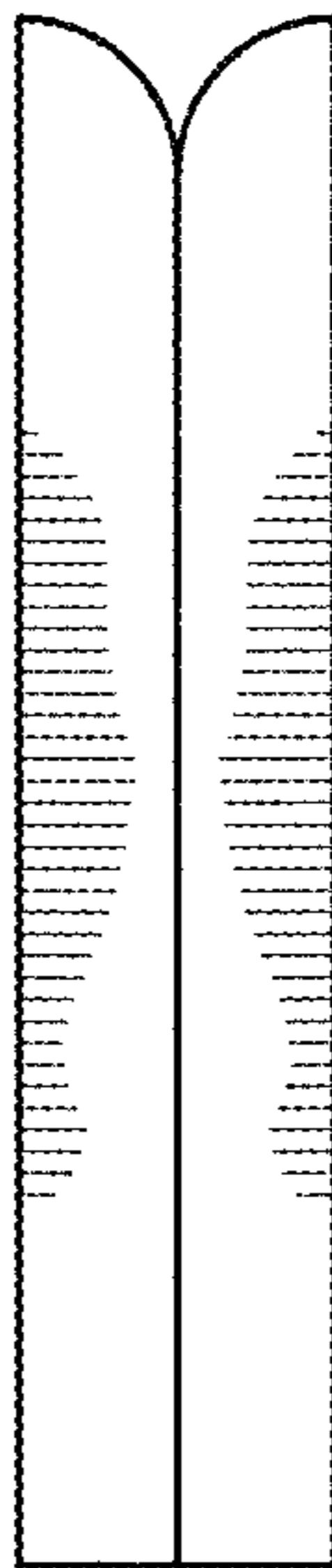


FIG. 4



FIG. 5

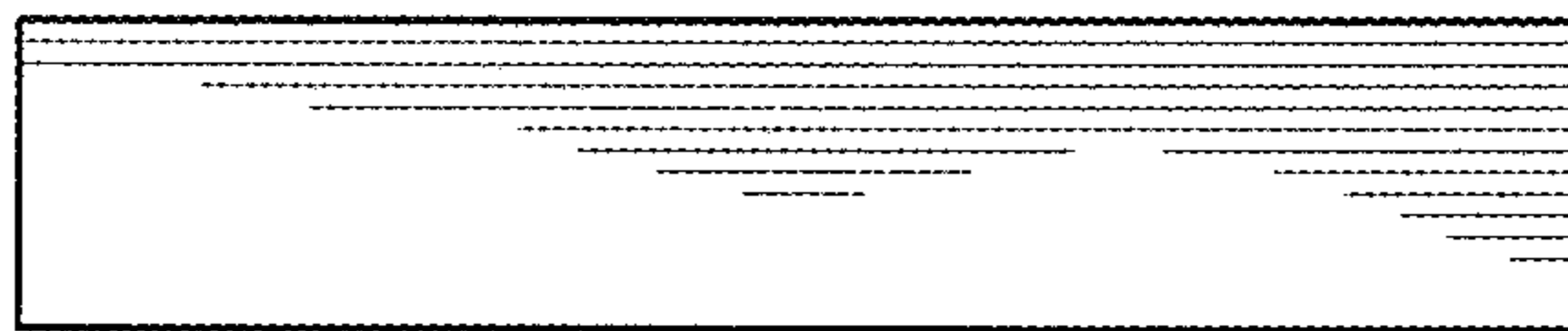


FIG. 6

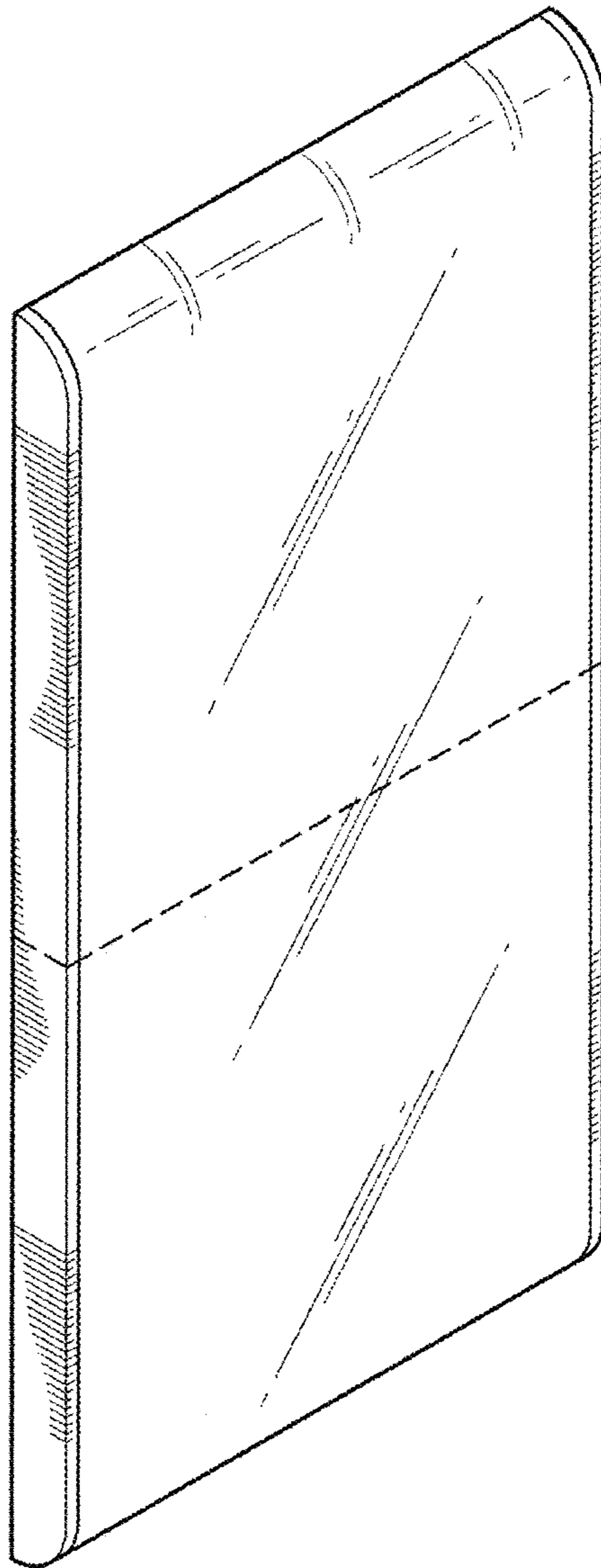




FIG. 7

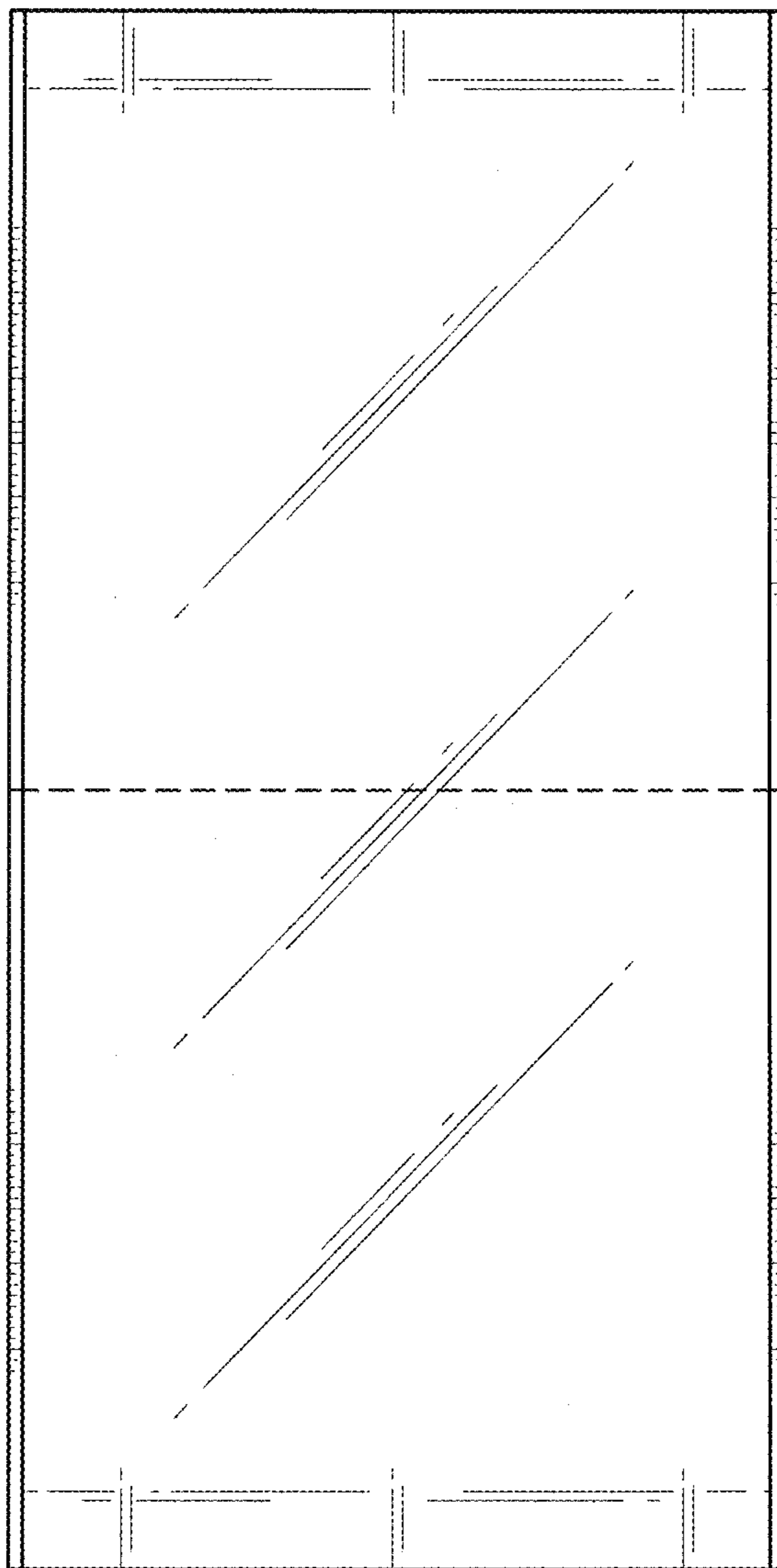


FIG. 8

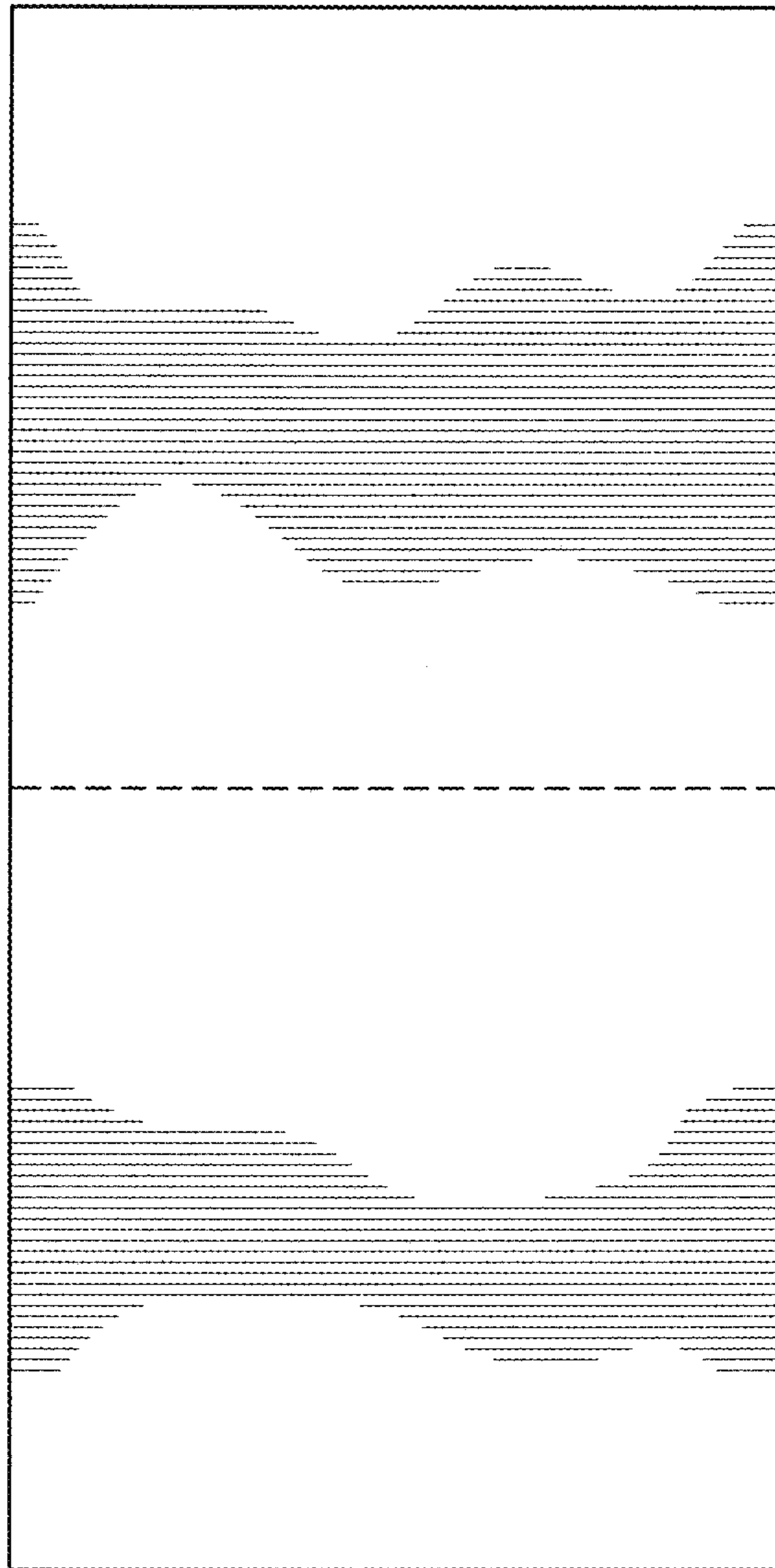


FIG. 9

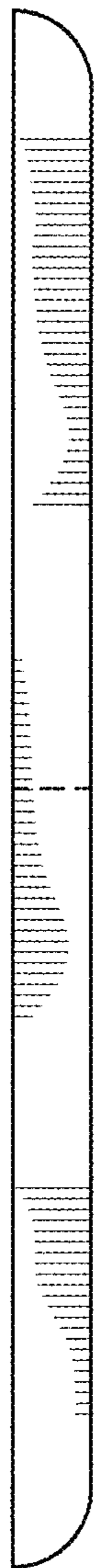


FIG. 10



FIG. 11

