



US00D797720S

(12) **United States Design Patent**
Moumneh

(10) **Patent No.:** **US D797,720 S**

(45) **Date of Patent:** **** Sep. 19, 2017**

(54) **PERSONAL COMPUTING DEVICE**

(71) Applicant: **Kamal Moumneh**, Dubai (AE)

(72) Inventor: **Kamal Moumneh**, Dubai (AE)

(**) Term: **15 Years**

(21) Appl. No.: **29/564,473**

(22) Filed: **May 13, 2016**

(51) **LOC (10) Cl.** **14-02**

(52) **U.S. Cl.**
USPC **D14/331**

(58) **Field of Classification Search**
USPC D14/331, 371-375, 125-129, 336, 337,
D14/188; 341/12; 345/104, 156, 168,
345/173; 348/180, 184, 325, 739; 349/1,
349/2, 11, 62; 361/679.05-679.07,
361/679.21; D6/300, 308; D20/10
CPC G06F 1/16; G06F 1/1601; G06F 3/037;
G06F 1/162; G06F 1/1613; F16M 11/02;
F16M 11/10; F16M 11/00; G02F
1/133308
See application file for complete search history.

(56) **References Cited**

U.S. PATENT DOCUMENTS

D360,193 S * 7/1995 Franzen D14/331
D402,289 S * 12/1998 Pinchuk D14/160
D424,530 S * 5/2000 Kurtz D14/336

D448,024 S * 9/2001 Kim D14/172
D489,716 S * 5/2004 Kim D14/336
D546,317 S * 7/2007 Harris D14/168
D571,749 S * 6/2008 Barnett D14/126
D602,465 S * 10/2009 Mills D14/168
D681,604 S * 5/2013 Funayama D14/209.1
D703,182 S * 4/2014 McManigal D14/198

* cited by examiner

Primary Examiner — Freda S Nunn

(74) *Attorney, Agent, or Firm* — Maier & Maier, PLLC

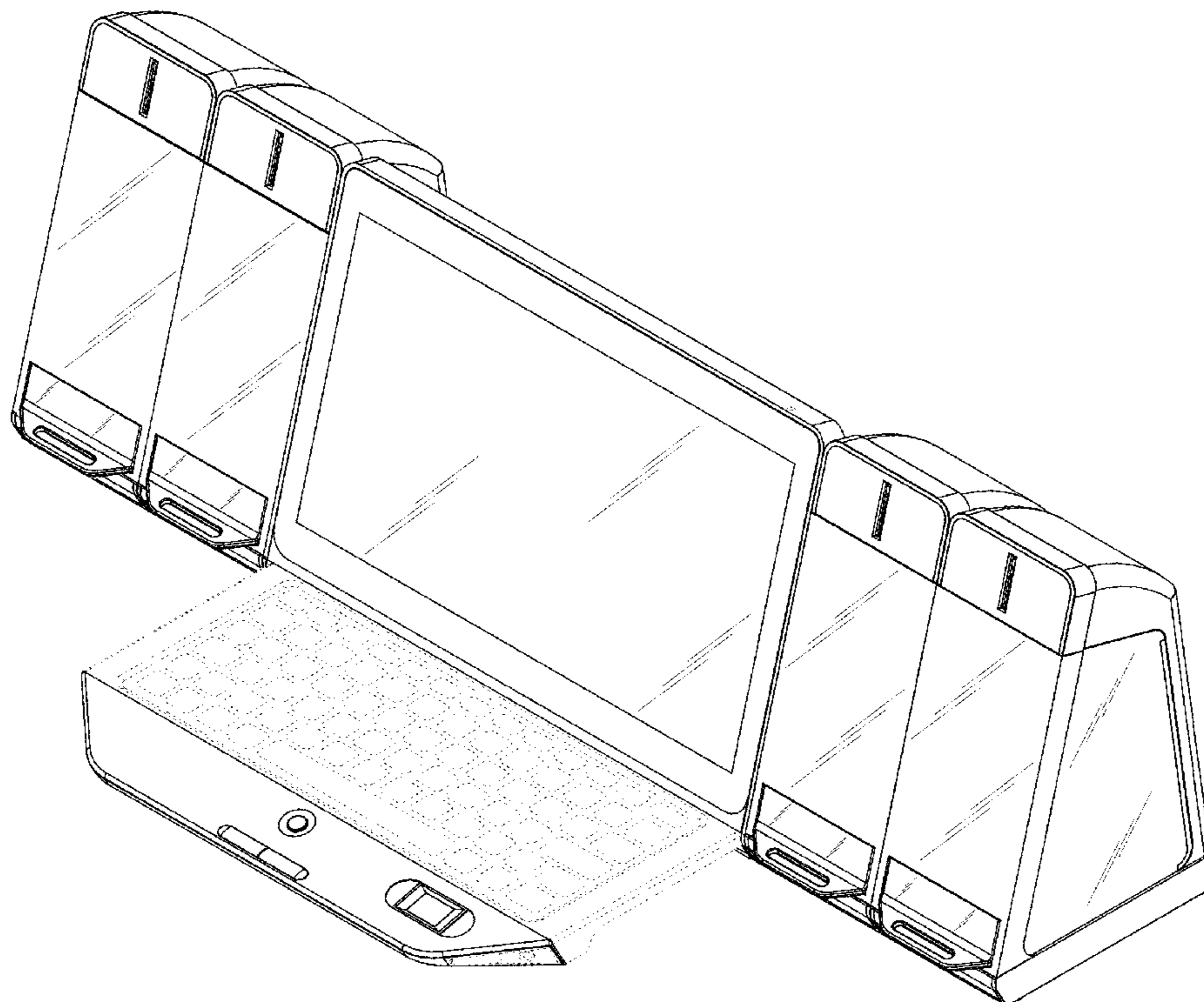
(57) **CLAIM**

The ornamental design for a personal computing device, as shown and described.

DESCRIPTION

FIG. 1 is a front-right isometric view of a personal computing device, showing my design;
FIG. 2 is a rear-left isometric view thereof;
FIG. 3 is a front elevational view thereof;
FIG. 4 is a rear elevational view thereof;
FIG. 5 is a right side elevational view thereof;
FIG. 6 is a left side elevational view thereof;
FIG. 7 is a top plan view thereof;
FIG. 8 is a bottom plan view thereof; and,
FIG. 9. is a front-right isometric view thereof with the keyboard portion in an extended position.
The broken line showing in the Figures illustrates portions of the personal computing device and forms no part of the claimed design.

1 Claim, 8 Drawing Sheets



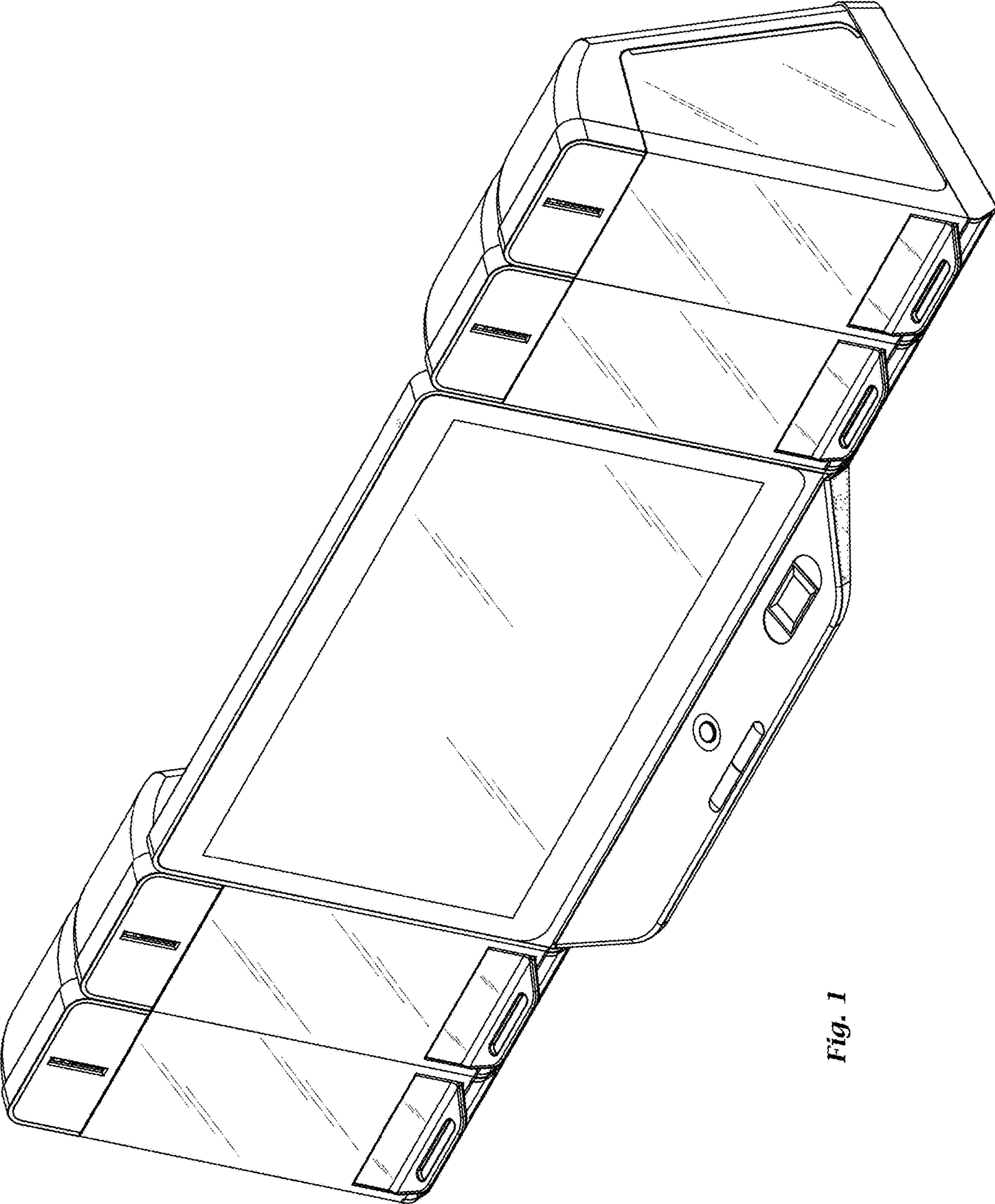


Fig. 1

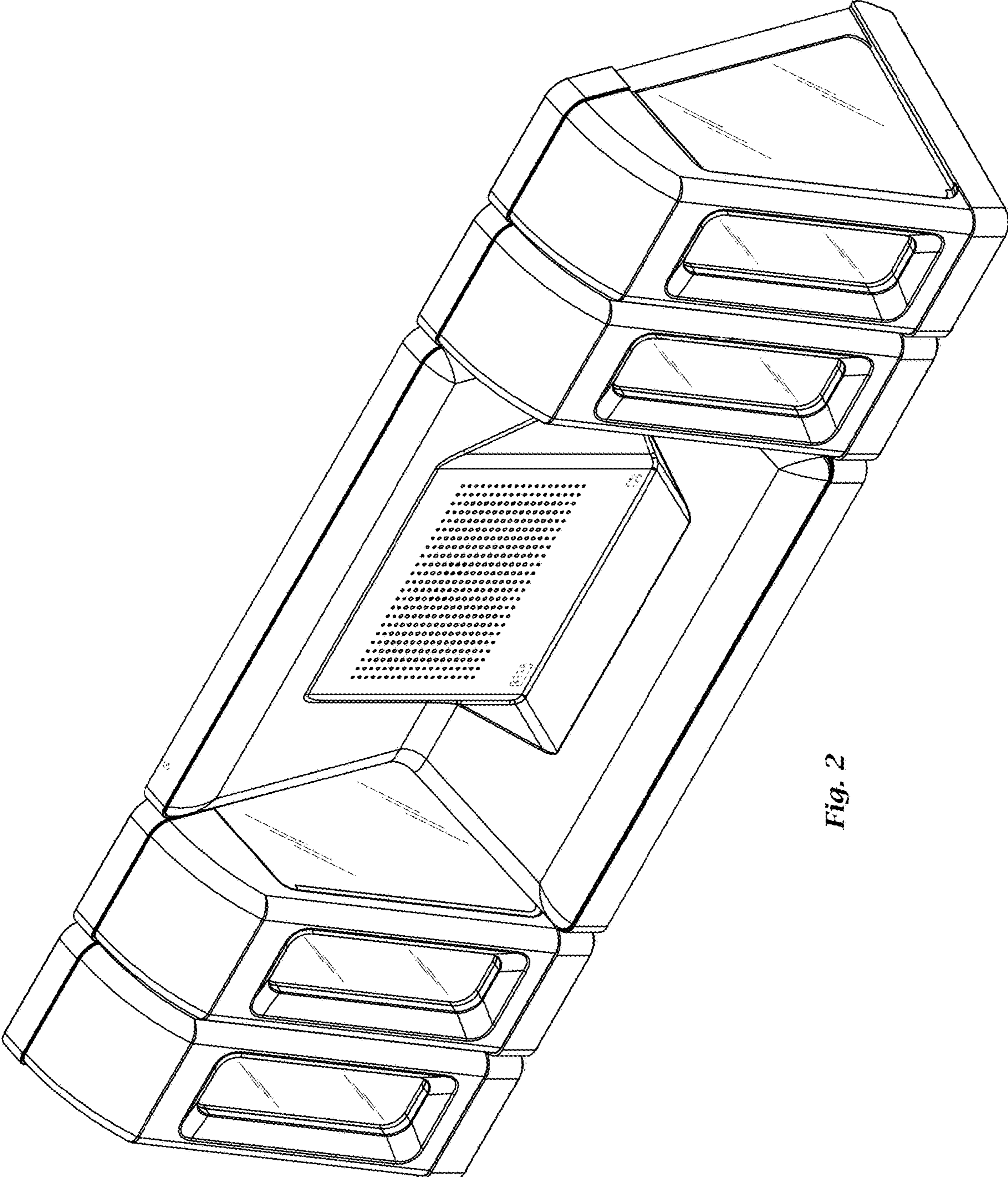


Fig. 2

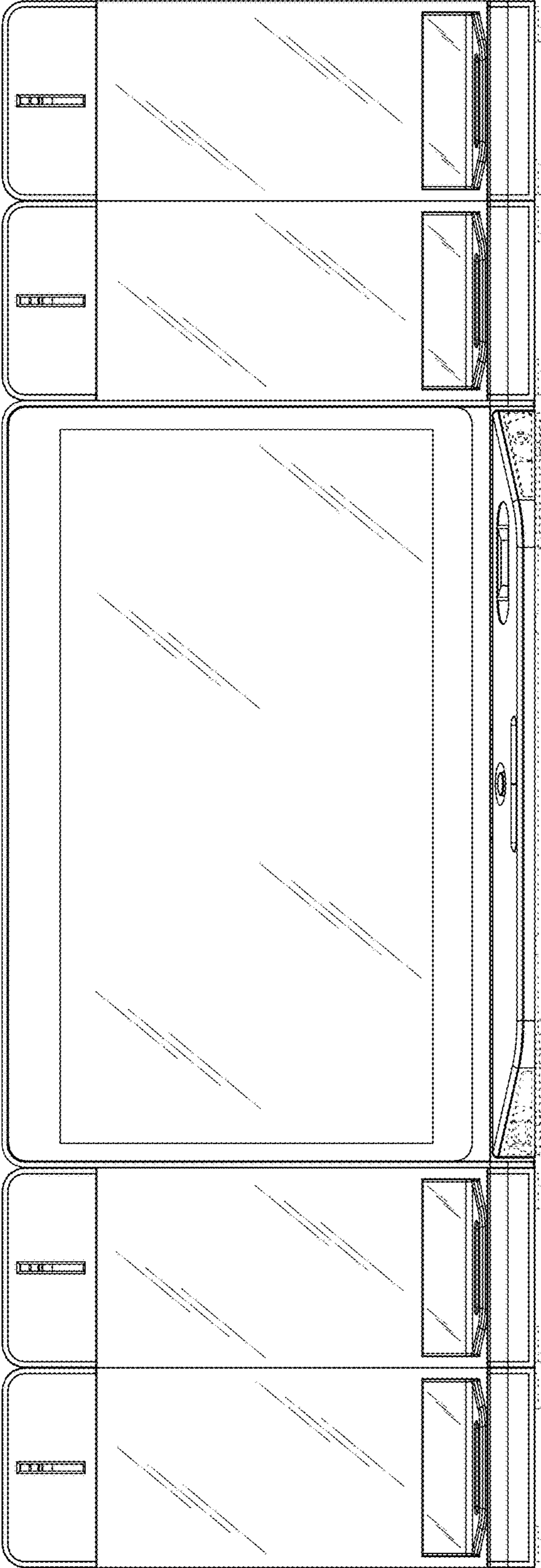


Fig. 3

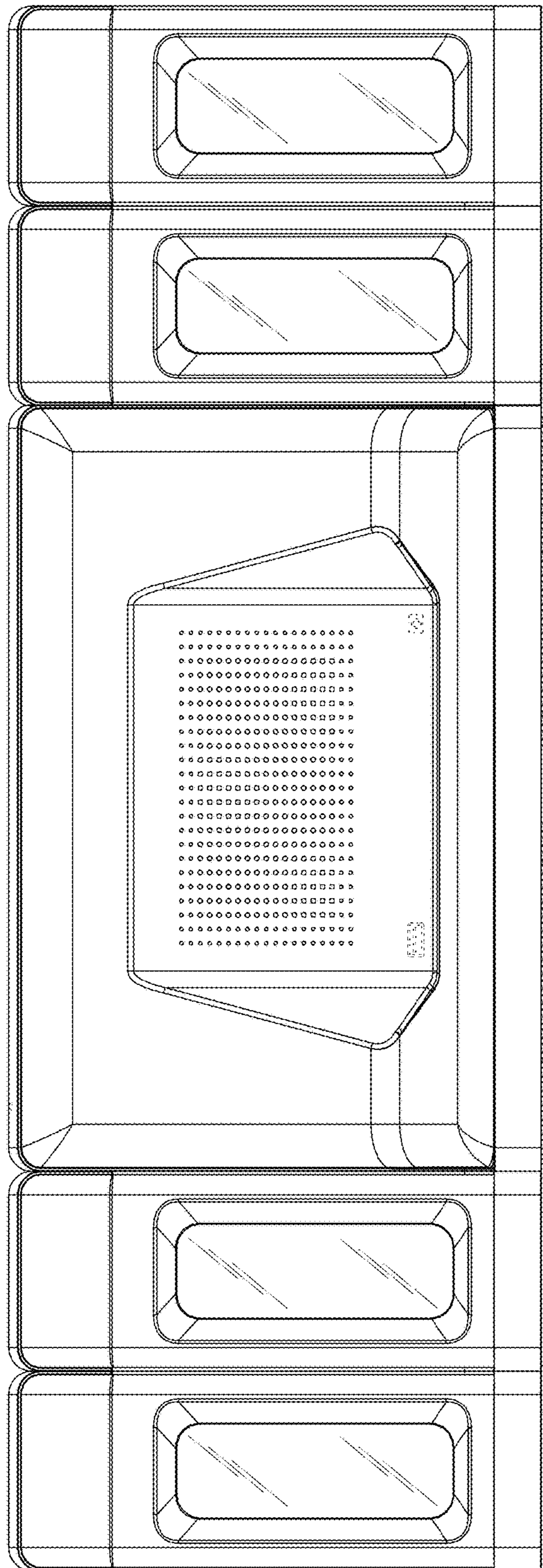


Fig. 4

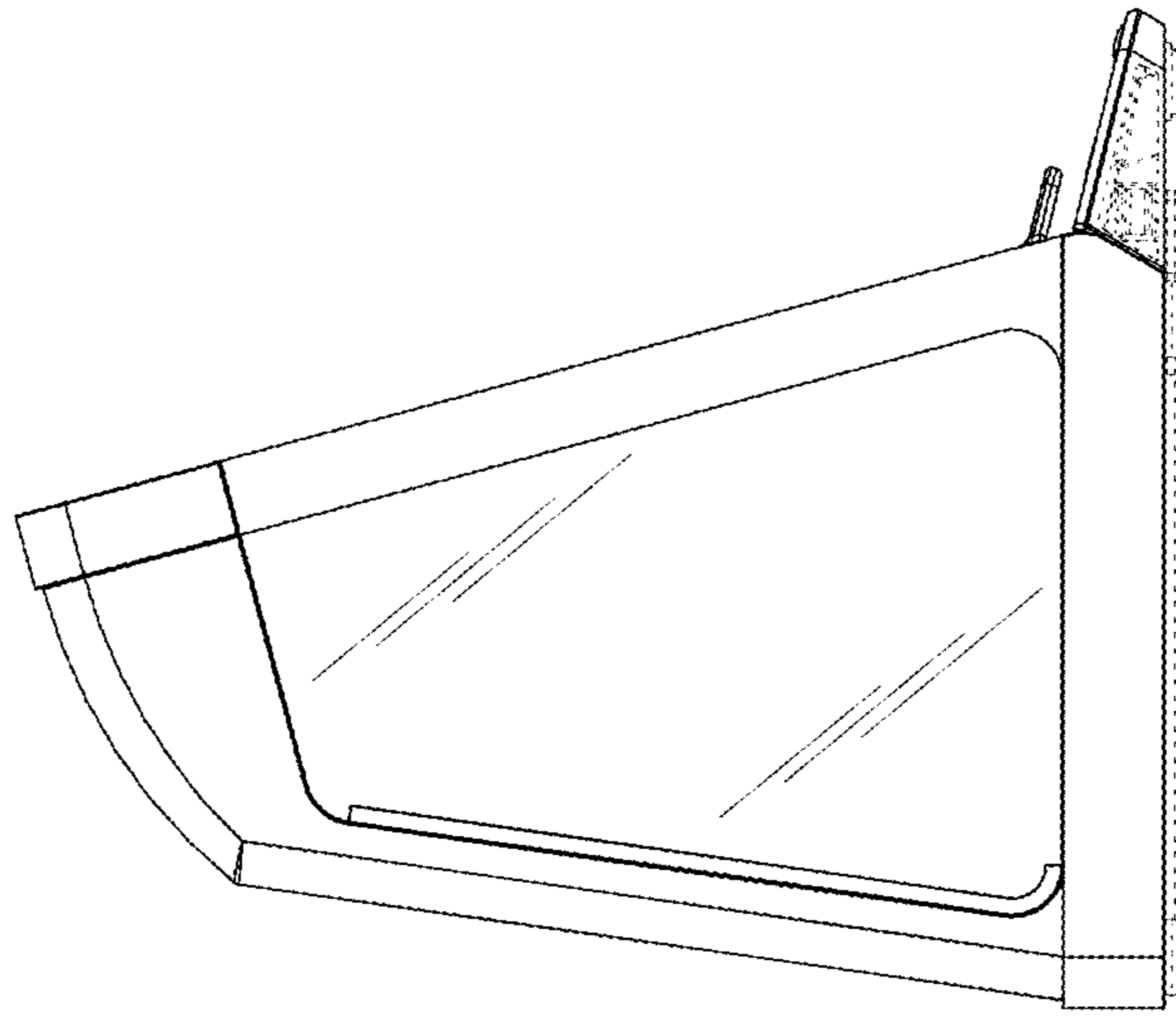


Fig. 6

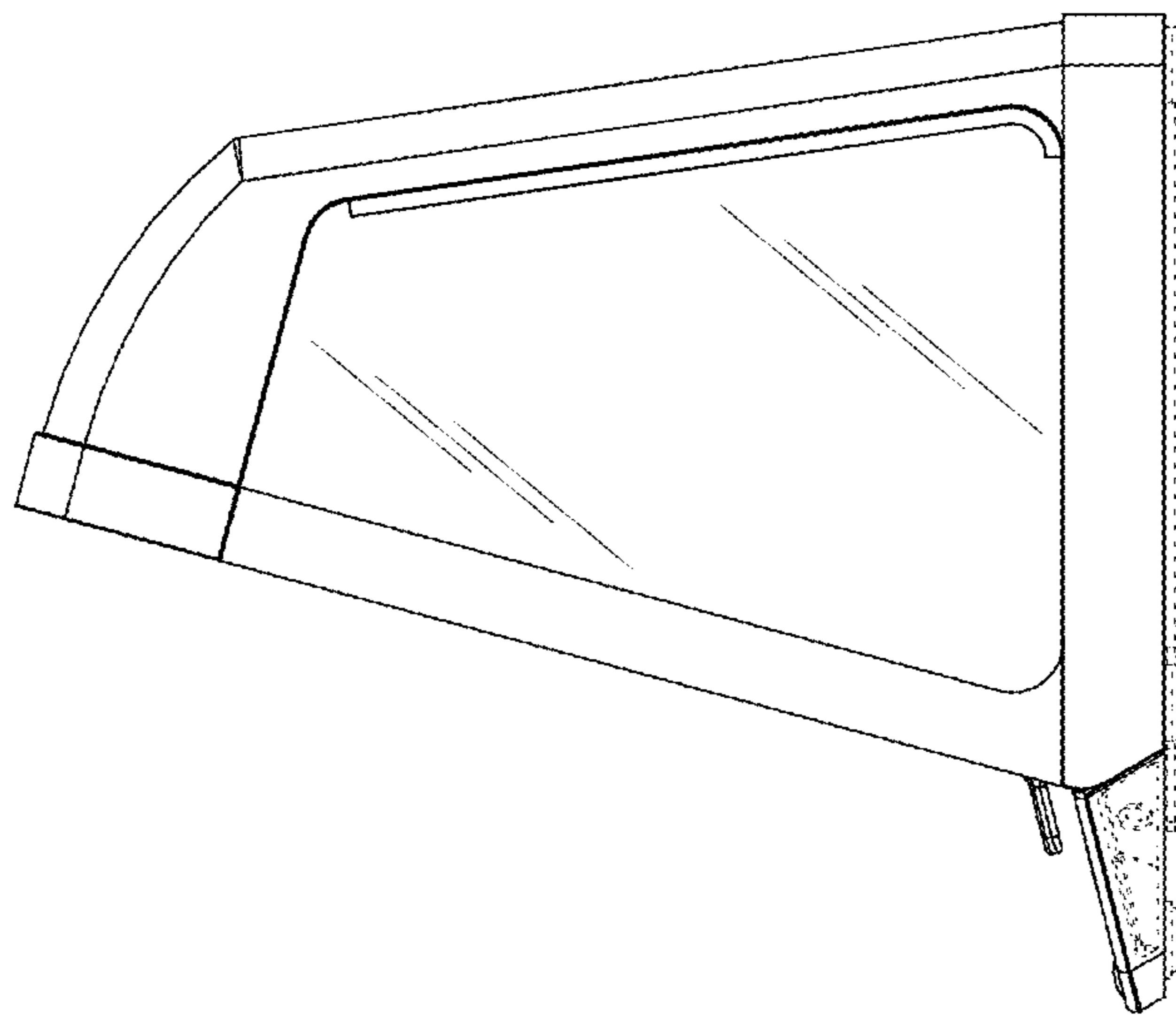


Fig. 5

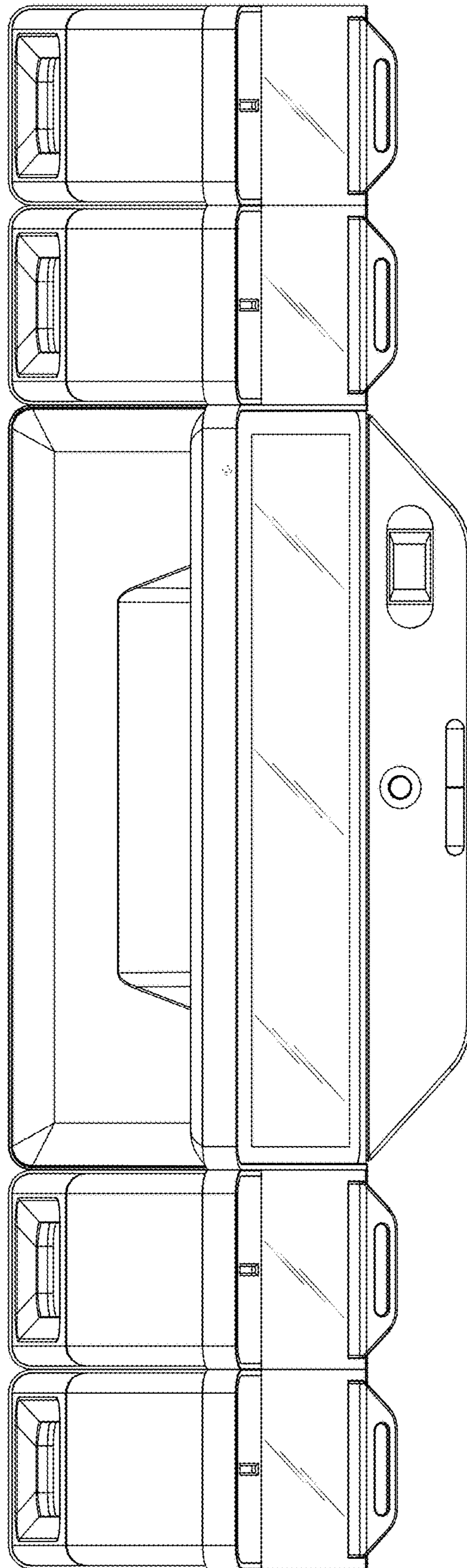


Fig. 7

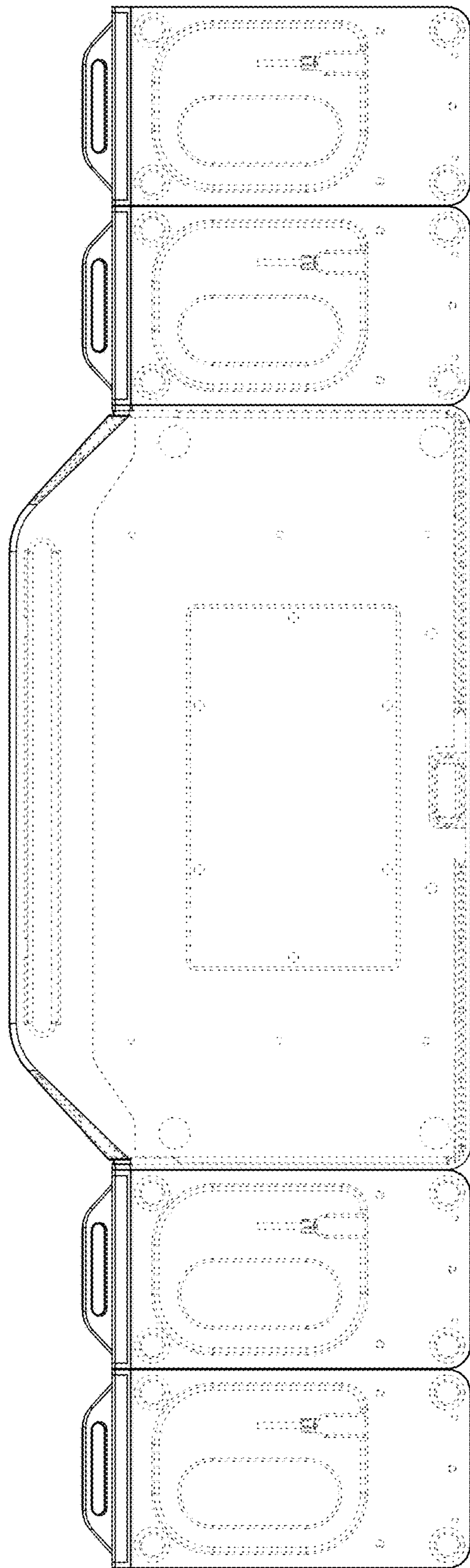


Fig. 8

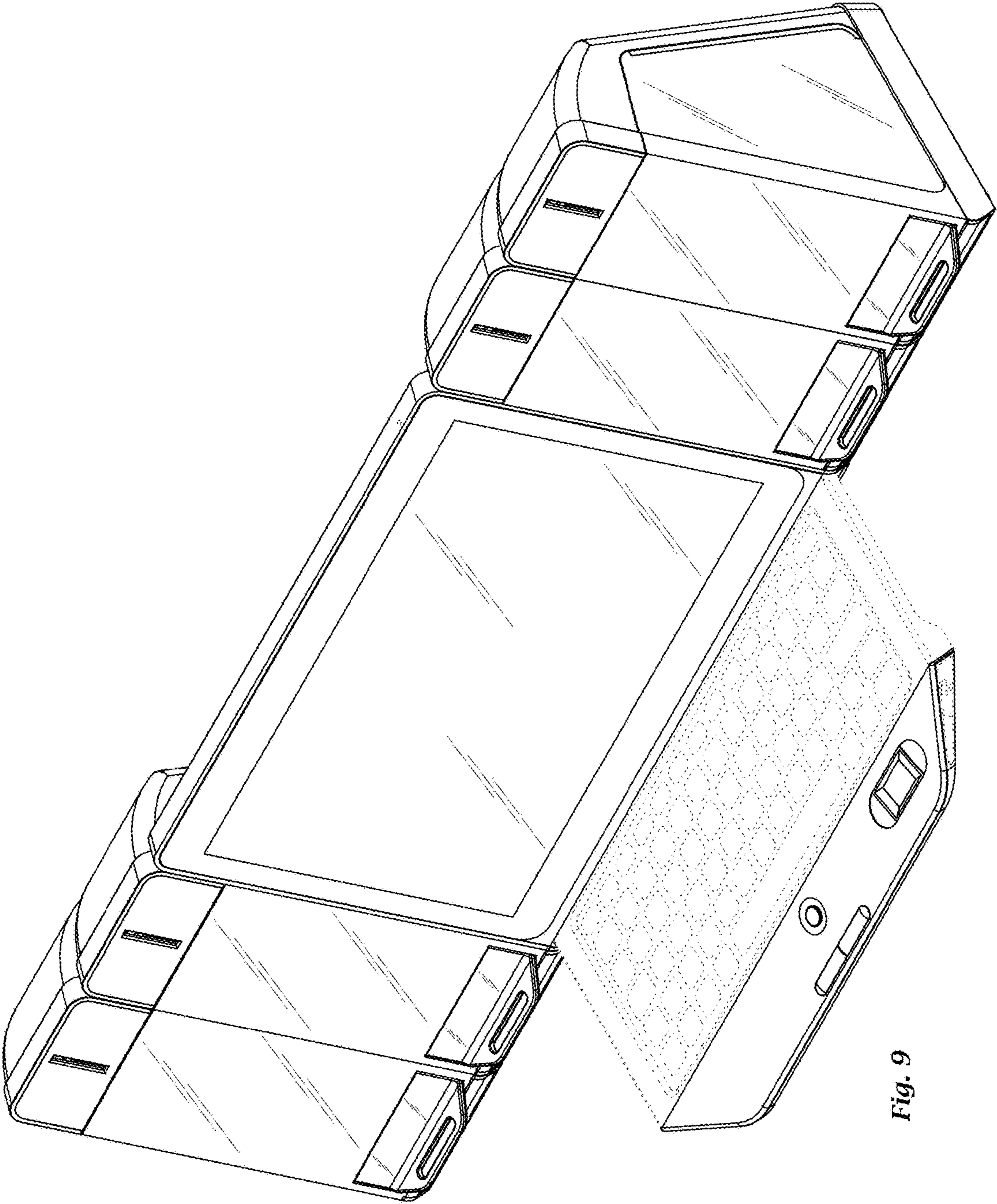


Fig. 9