



US00D797717S

(12) **United States Design Patent** (10) **Patent No.:** **US D797,717 S**
Gondo et al. (45) **Date of Patent:** **** Sep. 19, 2017**

(54) **DIGITAL AUDIO DISC PLAYER FOR AUTOMOBILE**

(71) Applicant: **JVC KENWOOD Corporation**,
Yokohama-shi, Kanagawa (JP)

(72) Inventors: **Makoto Gondo**, Yokohama (JP); **Yu Sakata**, Yokohama (JP); **Yasuhiro Suzuki**, Yokohama (JP)

(73) Assignee: **JVC KENWOOD CORPORATION**,
Yokohama-Shi, Kanagawa (JP)

(**) Term: **15 Years**

(21) Appl. No.: **29/558,486**

(22) Filed: **Mar. 18, 2016**

(30) **Foreign Application Priority Data**

Dec. 9, 2015 (JP) 2015-027460

(51) **LOC (10) Cl.** **14-03**

(52) **U.S. Cl.**
USPC **D14/258**

(58) **Field of Classification Search**
USPC D12/192, 195, 415, 420; D14/496,
D14/498-506, 154, 157, 168-171,
D14/188-198, 257-258; 248/27.1, 27.3,
248/558; 455/347, 350
CPC B60R 11/02; B60K 37/04; B60K 37/06;
H04B 1/08; H04B 1/082

See application file for complete search history.

(56) **References Cited**

U.S. PATENT DOCUMENTS

D366,048 S *	1/1996	Tokiyama	D14/258
D495,677 S *	9/2004	Kawano	D14/157
D537,809 S *	3/2007	Shiono	D14/157
D599,773 S *	9/2009	Shimizu	D14/157
D624,534 S *	9/2010	Harrington	D14/258

* cited by examiner

Primary Examiner — Sandra Morris

(74) *Attorney, Agent, or Firm* — Nath, Goldberg & Meyer; Jerald L. Meyer

(57) **CLAIM**

The ornamental design for a digital audio disc player for automobile, as shown and described.

DESCRIPTION

FIG. 1 is a front, top and left-side perspective view of a digital audio disc player for automobile showing our new design;

FIG. 2 is a front elevational view thereof;

FIG. 3 is a rear elevational view thereof;

FIG. 4 is a top plan view thereof;

FIG. 5 is a bottom plan view thereof;

FIG. 6 is a right-side elevational view thereof; and,

FIG. 7 is a left-side elevational view thereof.

The portions of all drawings shown in broken lines are for illustrative purposes only and form no part of the claimed design.

1 Claim, 5 Drawing Sheets

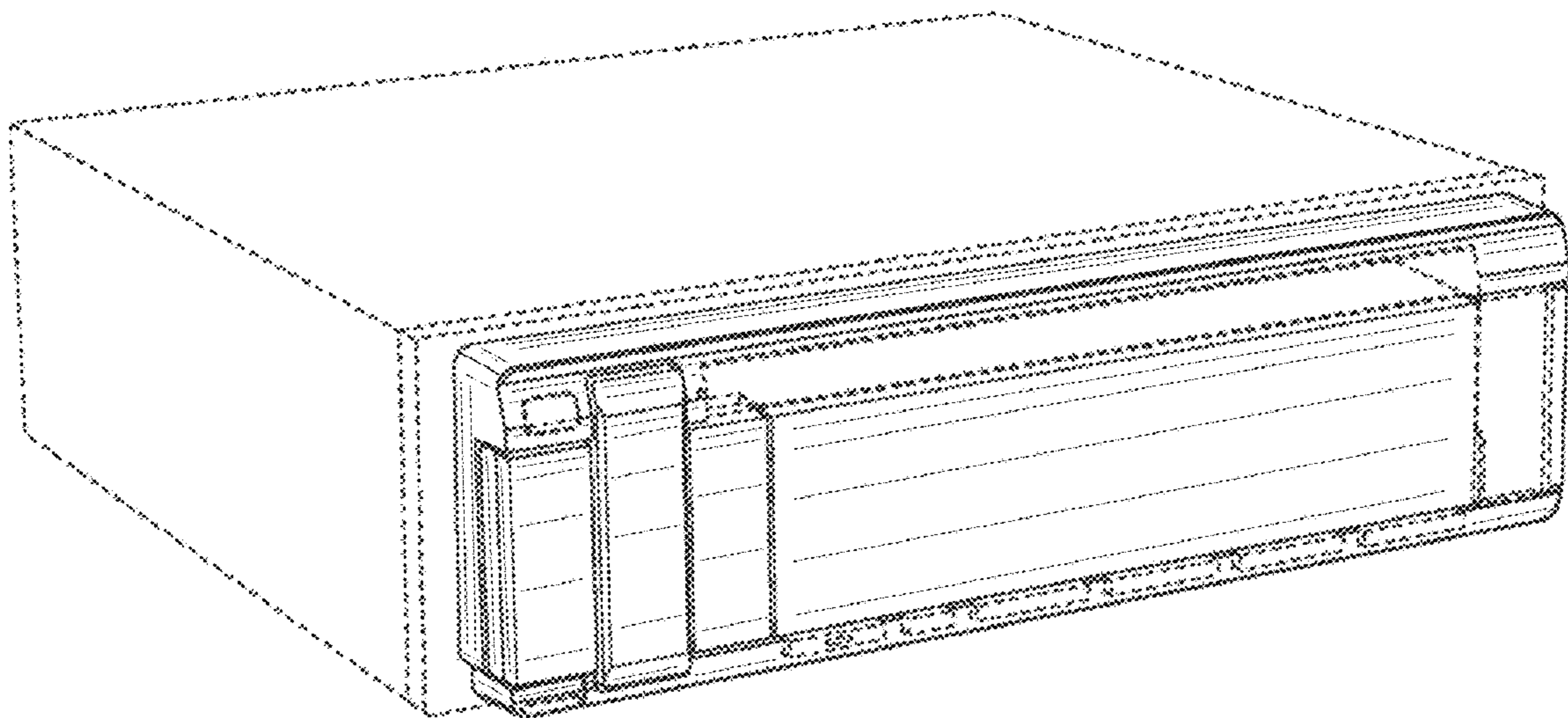


FIG. 1

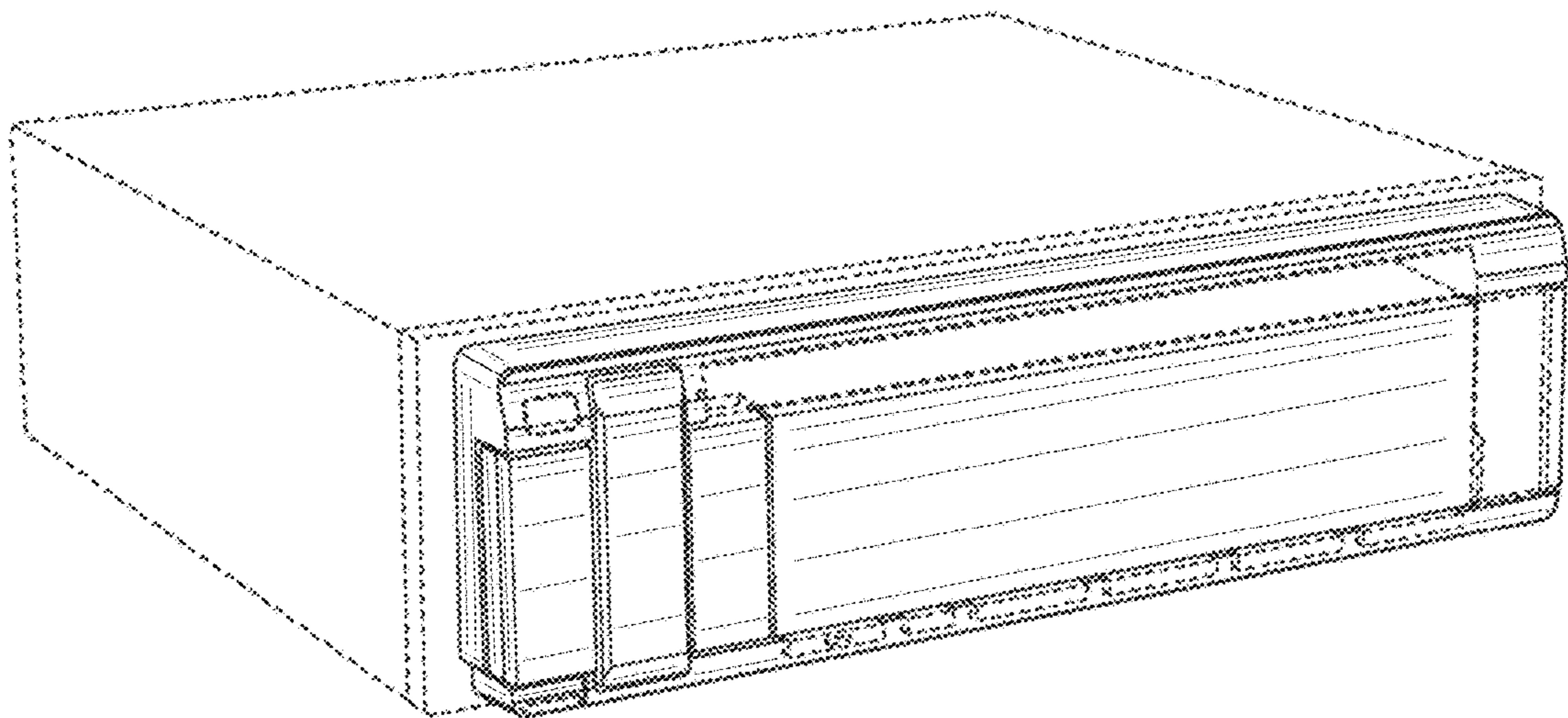


FIG. 2

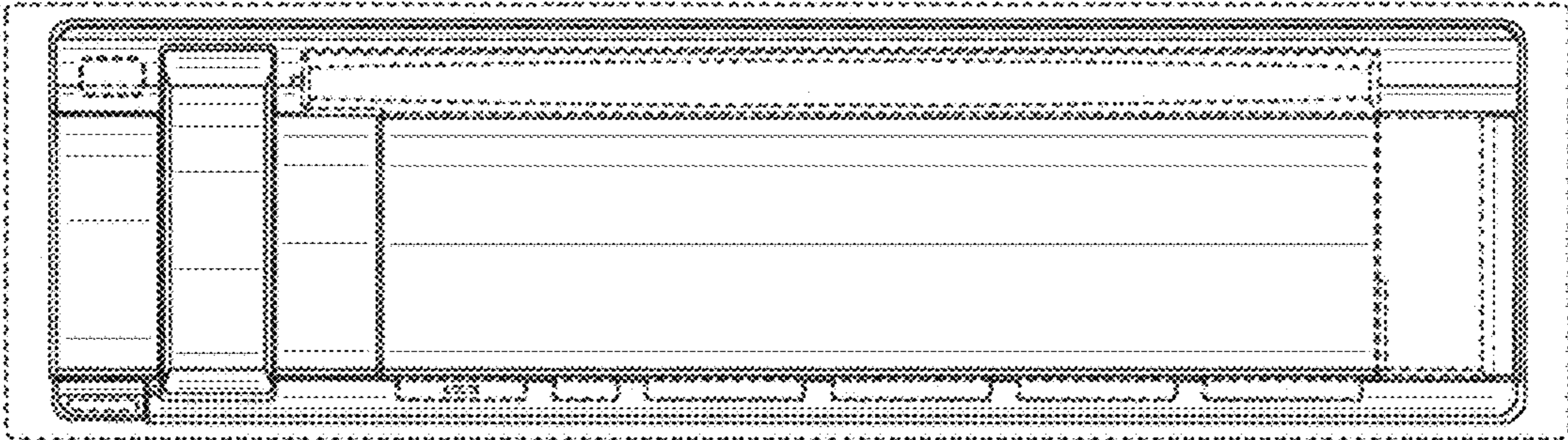


FIG. 3



FIG. 4

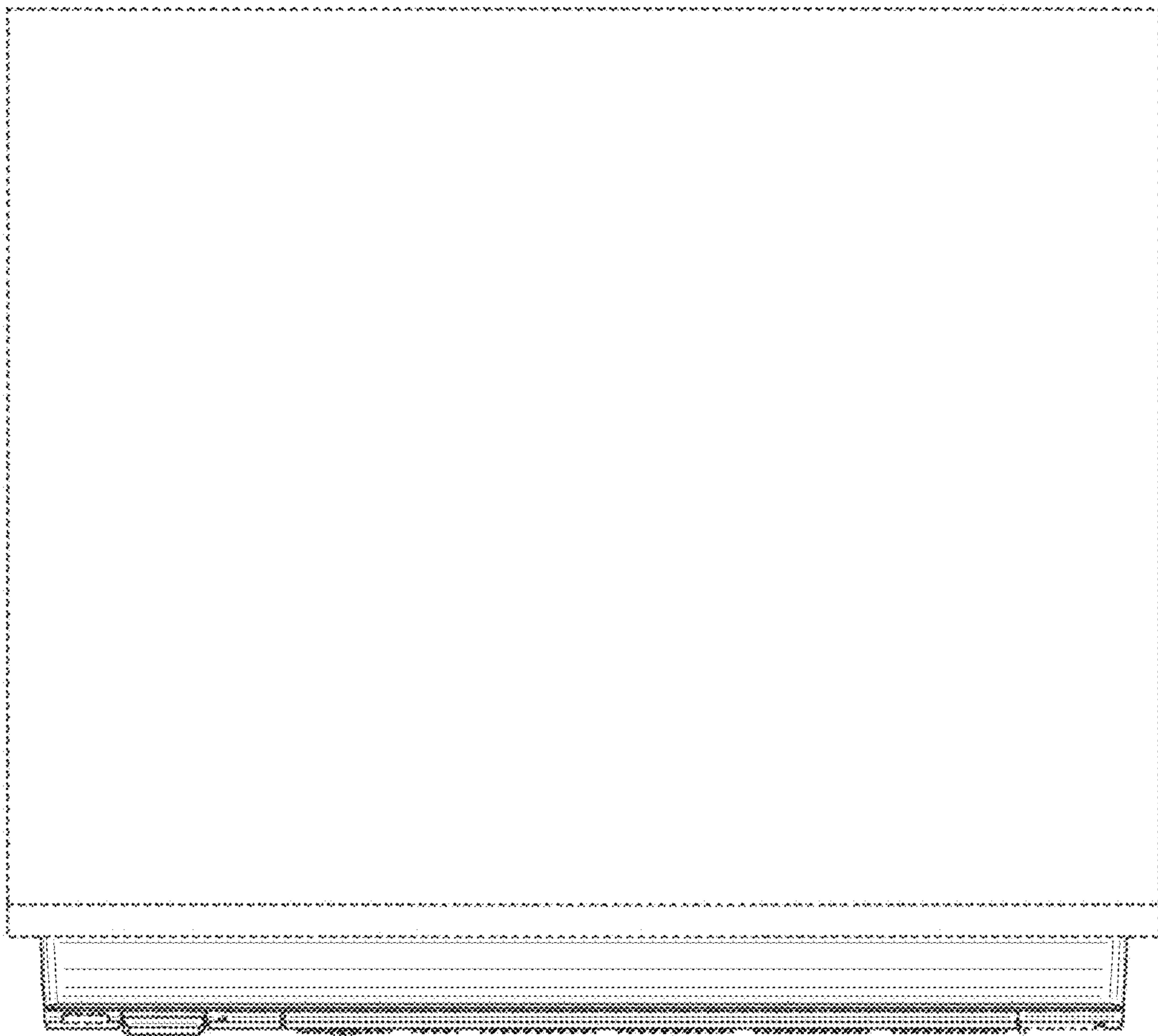


FIG. 5

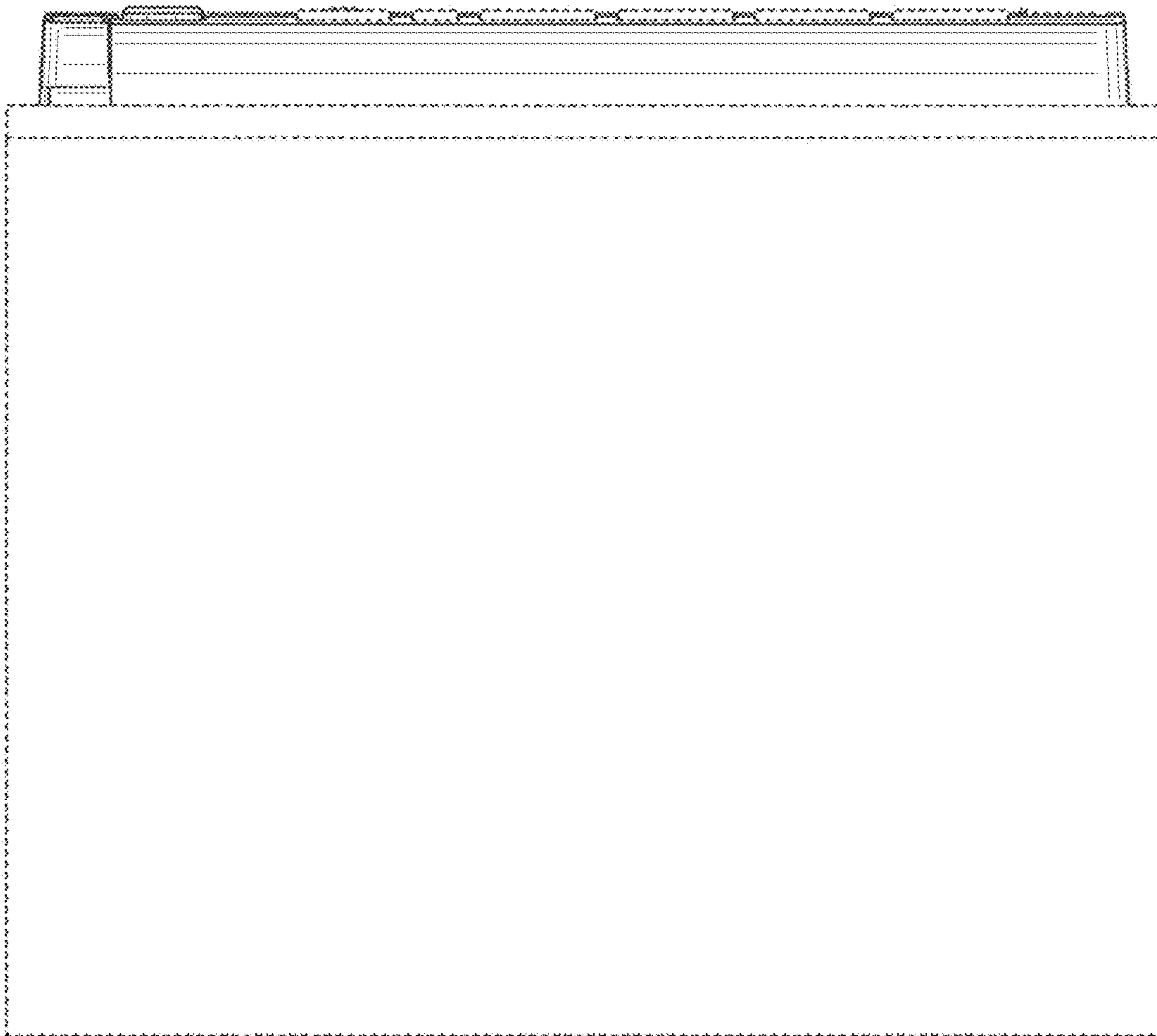


FIG. 6

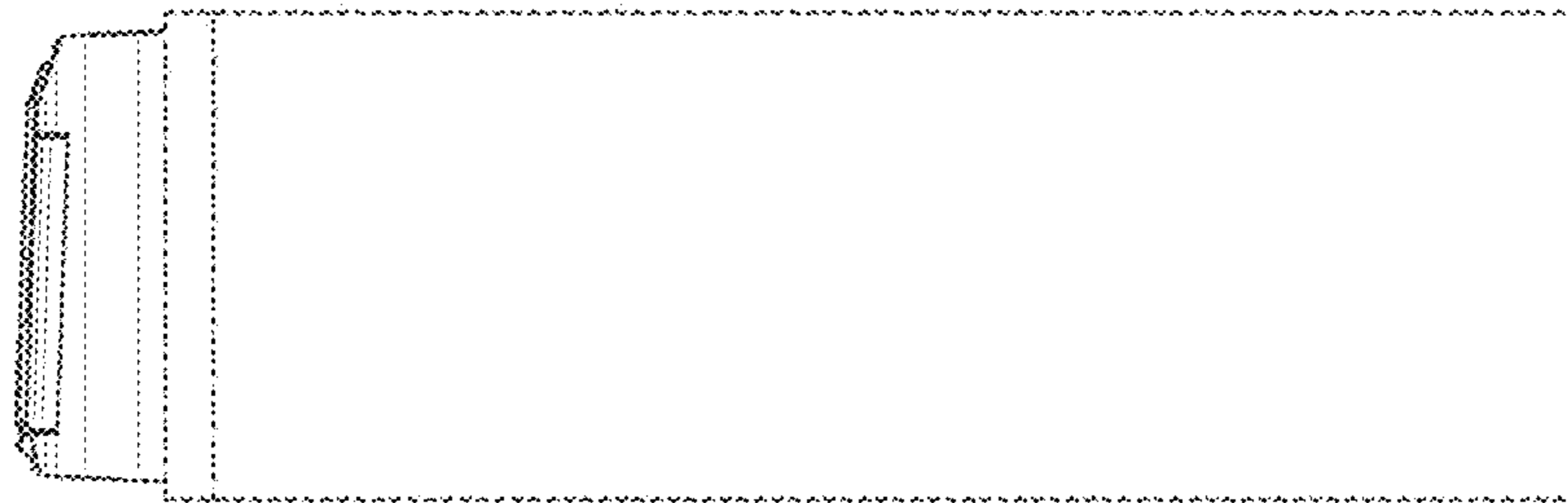


FIG. 7

