

US00D797716S

(12) **United States Design Patent**  
**Suzuki**

(10) **Patent No.:** **US D797,716 S**

(45) **Date of Patent:** **\*\* Sep. 19, 2017**

(54) **DIGITAL AUDIO DISC PLAYER FOR  
AUTOMOBILE**

(71) Applicant: **JVC KENWOOD Corporation,**  
Yokohama-shi, Kanagawa (JP)

(72) Inventor: **Yasuhiro Suzuki,** Yokohama (JP)

(73) Assignee: **JVC KENWOOD CORPORATION,**  
Yokohama-Shi, Kanagawa (JP)

(\*\*) Term: **15 Years**

(21) Appl. No.: **29/558,483**

(22) Filed: **Mar. 18, 2016**

(30) **Foreign Application Priority Data**

Dec. 15, 2015 (JP) ..... 2015-027916

(51) **LOC (10) Cl.** ..... **14-03**

(52) **U.S. Cl.**  
USPC ..... **D14/258**

(58) **Field of Classification Search**

USPC ..... D12/192, 195, 415, 420; D14/496,  
D14/498-506, 154, 157, 168-171,  
D14/188-198, 257-258; 248/27.1, 27.3,  
248/558; 455/347, 350  
CPC ..... B60R 11/02; B60K 37/04; B60K 37/06;  
H04B 1/08; H04B 1/082  
See application file for complete search history.

(56) **References Cited**

**U.S. PATENT DOCUMENTS**

D565,043 S \* 3/2008 Shiono ..... D14/258  
D604,287 S \* 11/2009 Kimura ..... D14/157

D671,906 S \* 12/2012 Kimura ..... D14/157  
D672,331 S \* 12/2012 Kanou ..... D14/157  
D680,094 S \* 4/2013 Kanou ..... D14/157  
D704,695 S \* 5/2014 Kanou ..... D14/258  
D704,696 S \* 5/2014 Kimura ..... D14/258  
D704,698 S \* 5/2014 Morikawa ..... D14/258  
D718,299 S \* 11/2014 Takahashi ..... D14/188  
D722,585 S \* 2/2015 Suzuki ..... D14/157  
D722,993 S \* 2/2015 Harada ..... D14/157

\* cited by examiner

*Primary Examiner* — Sandra Morris

(74) *Attorney, Agent, or Firm* — Nath, Goldberg &  
Meyer; Jerald L. Meyer

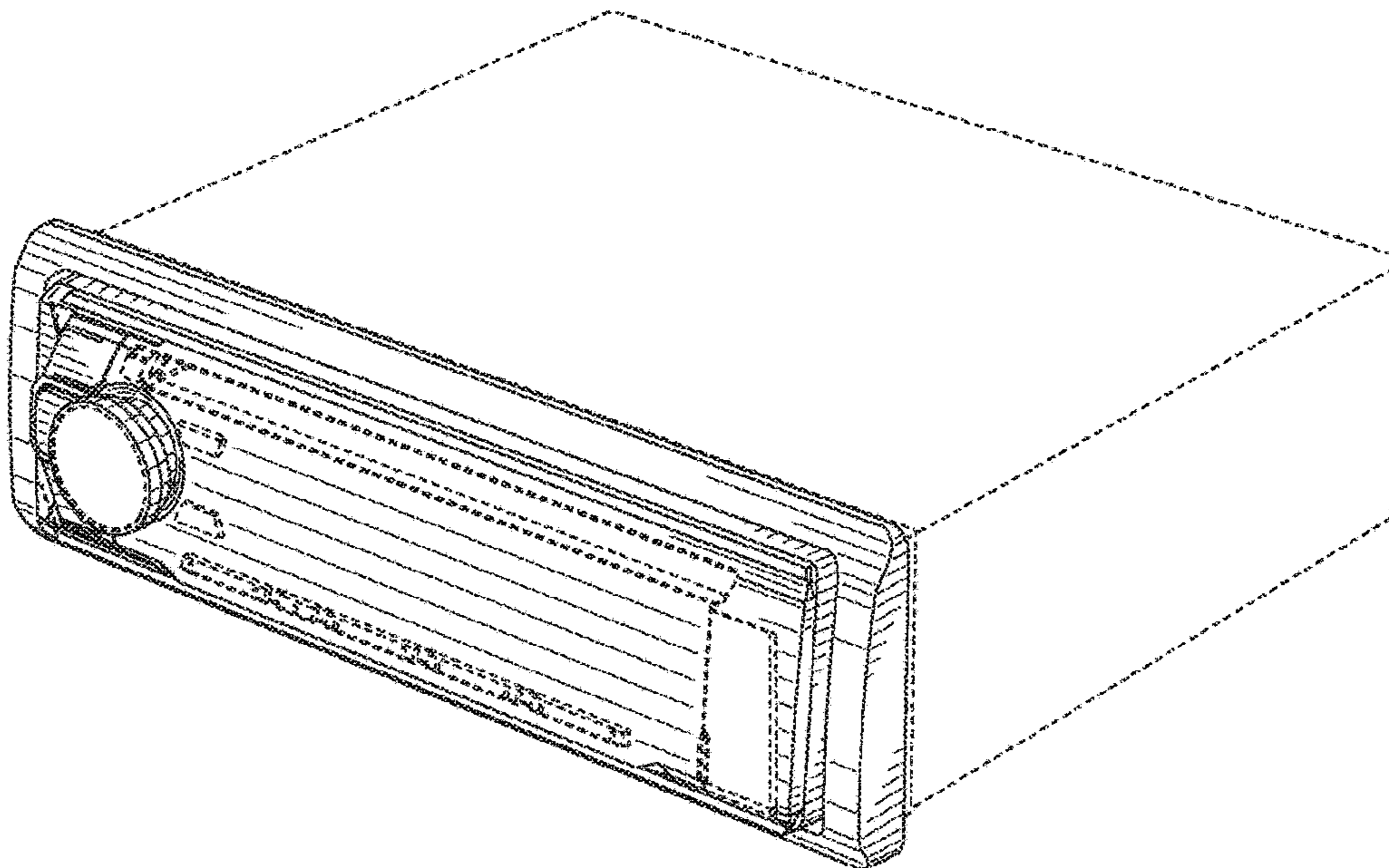
(57) **CLAIM**

The ornamental design for a digital audio disc player for automobile, as shown and described.

**DESCRIPTION**

FIG. 1 is a front, top and right-side perspective view of a digital audio disc player for automobile showing my new design;  
FIG. 2 is a front elevational view thereof;  
FIG. 3 is a rear elevational view thereof;  
FIG. 4 is a top plan view thereof;  
FIG. 5 is a bottom plan view thereof;  
FIG. 6 is a right-side elevational view thereof; and,  
FIG. 7 is a left-side elevational view thereof.  
The portions of all drawings shown in broken lines are for illustrative purposes only and form no part of the claimed design.

**1 Claim, 5 Drawing Sheets**



*FIG. 1*

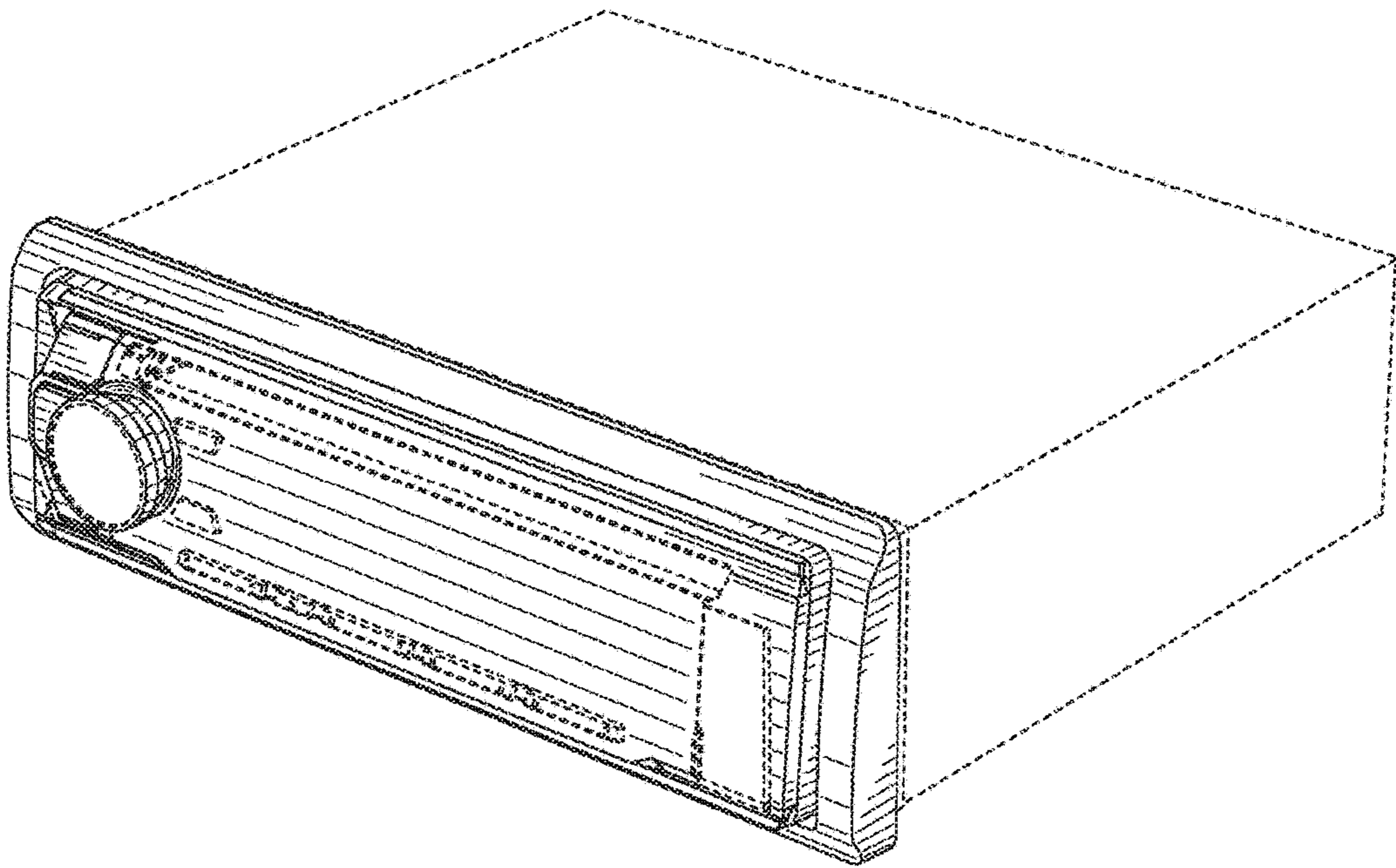


FIG. 2

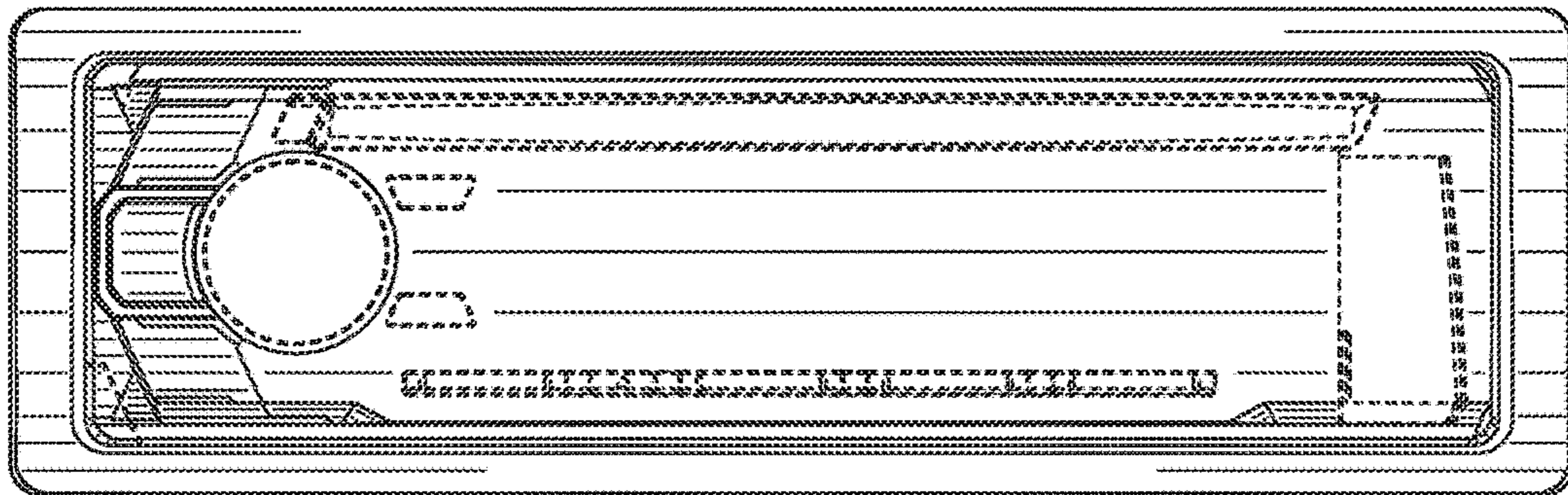


FIG. 3

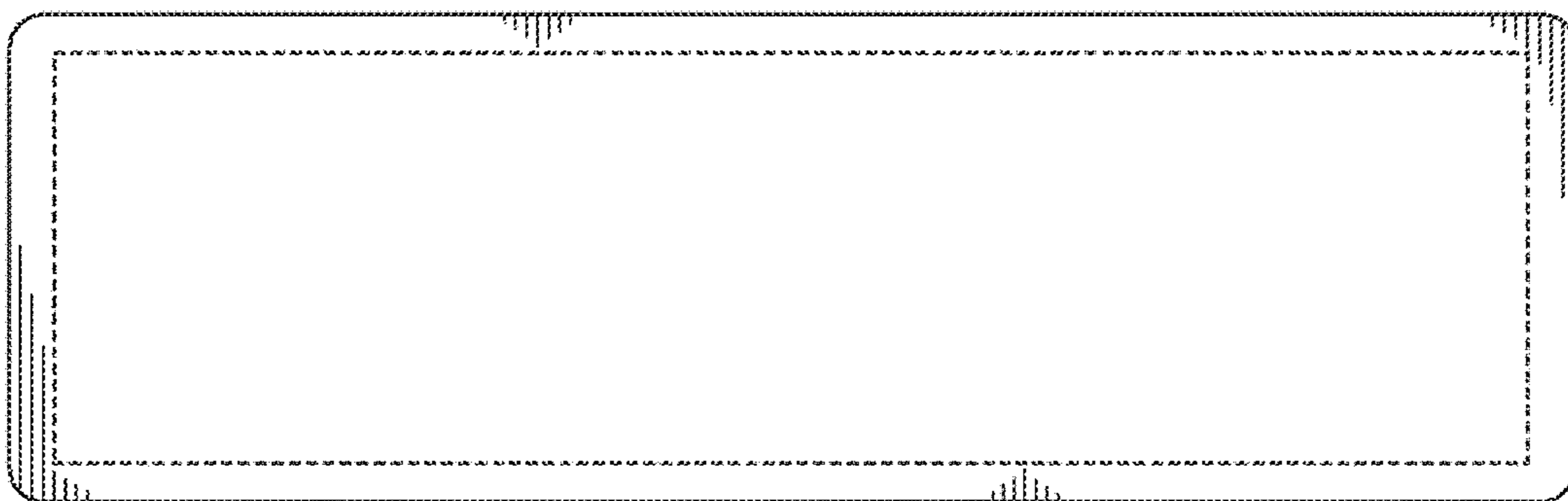
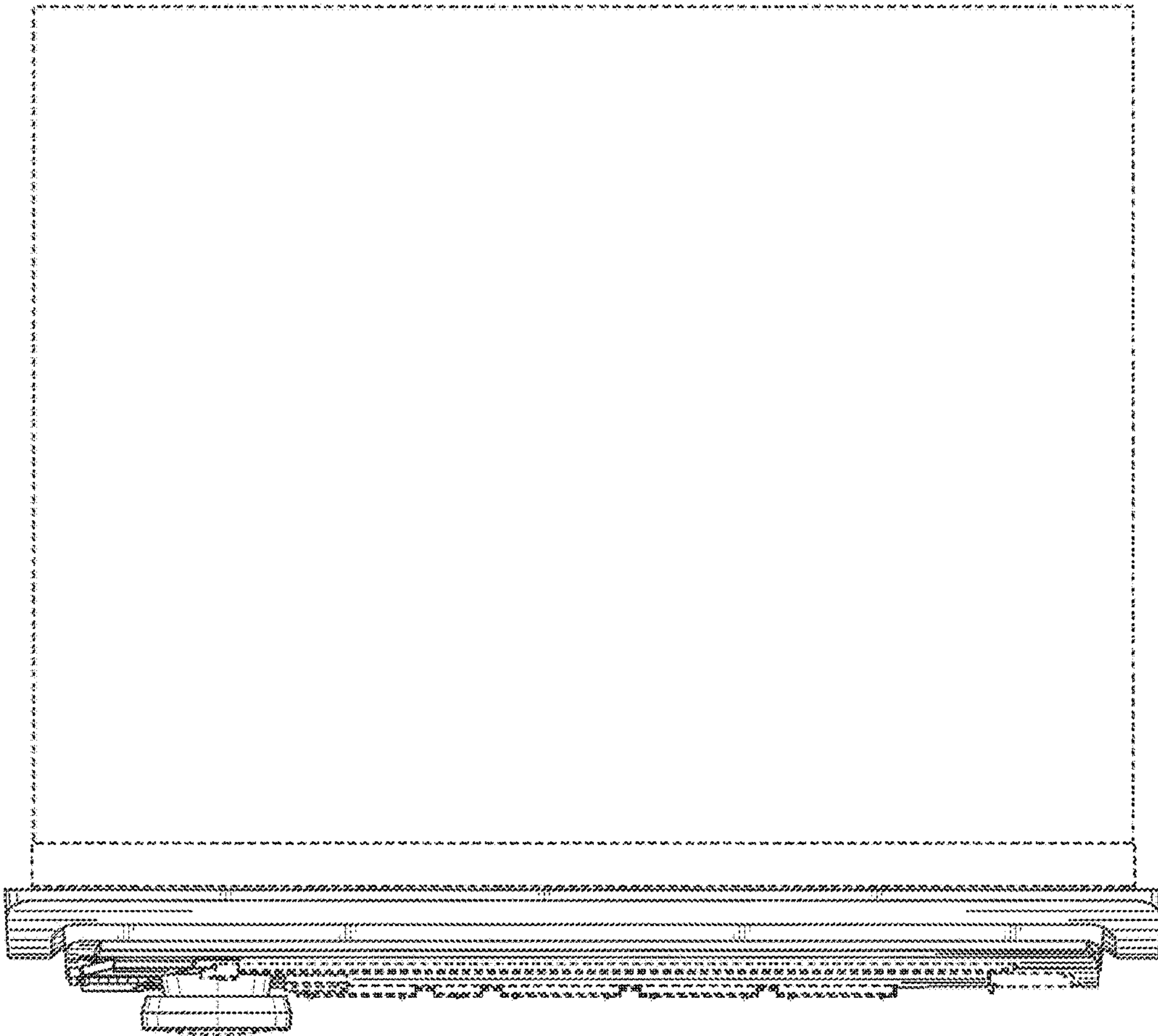


FIG. 4



*FIG. 5*

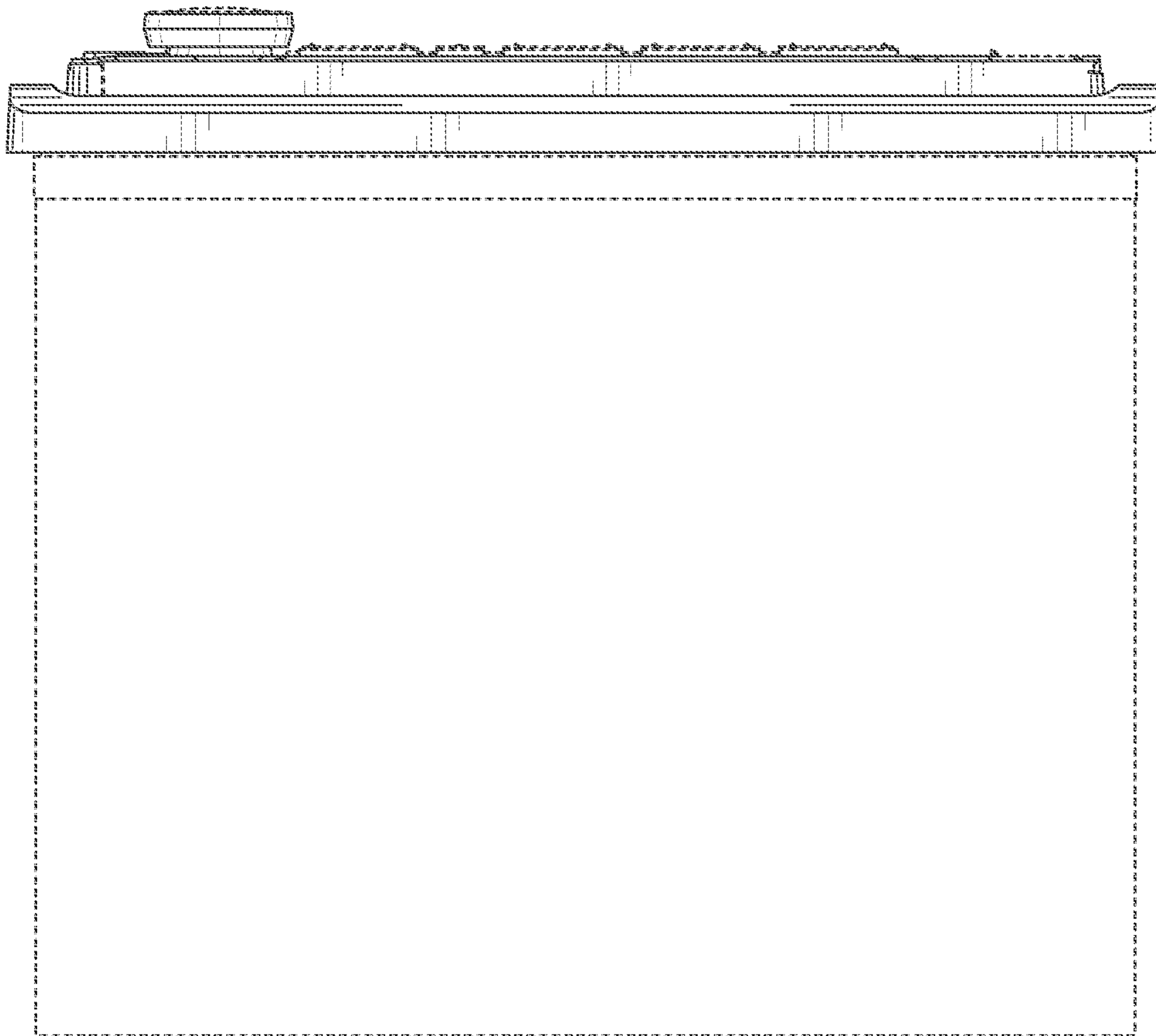


FIG. 6

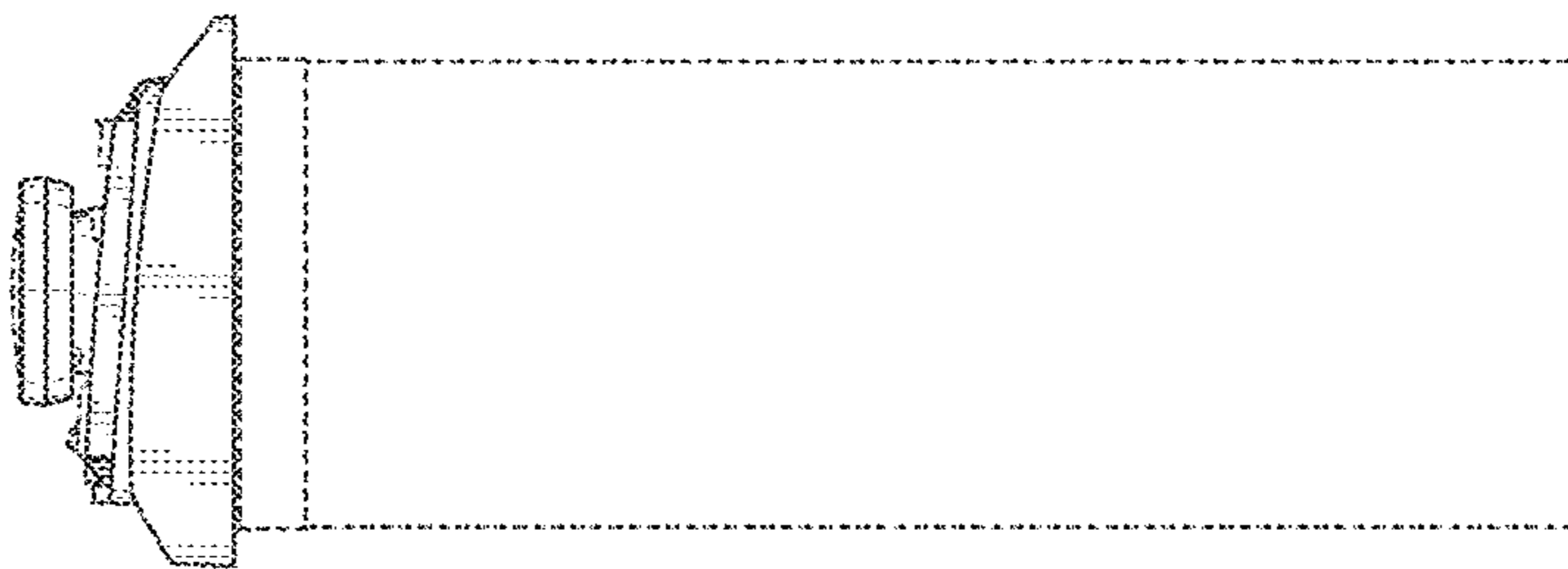


FIG. 7

