



US00D797713S

(12) **United States Design Patent** (10) **Patent No.:** **US D797,713 S**
Kim et al. (45) **Date of Patent:** **** *Sep. 19, 2017**

- (54) **PORTABLE ELECTRONIC DEVICE**
- (71) Applicant: **Samsung Electronics Co., Ltd.**,
Suwon-si (KR)
- (72) Inventors: **Namsu Kim**, Seoul (KR); **Dohyung Ha**, Gwangmyeong-si (KR); **Saehee Lee**, Incheon (KR); **Hyunsook Kim**, Seoul (KR)
- (73) Assignee: **Samsung Electronics Co., Ltd.**,
Suwon-si (KR)
- (*) Notice: This patent is subject to a terminal disclaimer.
- (**) Term: **14 Years**
- (21) Appl. No.: **29/514,059**
- (22) Filed: **Jan. 8, 2015**

D648,299	S	*	11/2011	Kim	D14/138	G
D654,464	S	*	2/2012	Han	D14/138	G
D654,902	S	*	2/2012	Chung	D14/138	AD
D656,497	S		3/2012	Chiu			
D657,358	S		4/2012	Ferrari et al.			
D664,518	S	*	7/2012	Ryu	D14/138	G
D673,132	S	*	12/2012	Cho	D14/138	G
D678,270	S		3/2013	Song et al.			
D680,511	S	*	4/2013	Han	D14/138	AD
D692,407	S	*	10/2013	Kim	D14/138	AD
D694,729	S	*	12/2013	Seo	D14/138	G
D706,738	S		6/2014	Kim et al.			
D708,977	S	*	7/2014	Corso	D10/104.1	
D713,366	S	*	9/2014	Seo	D14/138	G
D722,582	S	*	2/2015	Kim	D14/138	G
D723,013	S	*	2/2015	Lee	D14/248	
D726,674	S	*	4/2015	Lee	D14/138	G
D736,204	S	*	8/2015	Li	D14/138	AA
D736,751	S	*	8/2015	Lee	D14/248	
D741,281	S	*	10/2015	Joung	D14/138	G
D744,468	S	*	12/2015	Lee	D14/248	
D744,992	S	*	12/2015	Lee	D14/248	
D747,302	S	*	1/2016	Lee	D14/248	
D768,105	S	*	10/2016	Kim	D14/138	G
D770,998	S	*	11/2016	Kwak	D14/138	AA
2007/0105418	A1	*	5/2007	Fu	H01R 13/665	439/136
2011/0248983	A1	*	10/2011	Kim	G03B 21/14	345/212
2015/0029113	A1	*	1/2015	Lee	G06F 3/0412	345/173

Related U.S. Application Data

- (63) Continuation-in-part of application No. 29/504,706, filed on Oct. 8, 2014, now Pat. No. Des. 784,972, which is a continuation-in-part of application No. 29/504,002, filed on Oct. 1, 2014, now Pat. No. Des. 779,449.

- (51) **LOC (10) Cl.** **14-03**
- (52) **U.S. Cl.**
USPC **D14/248**
- (58) **Field of Classification Search**
USPC D14/138 G, 138 AD, 248, 138 R, D14/138 AC, 138 C, 247, 137, 341-347
CPC H04M 1/0202; H04M 1/0235; H04M 1/0237; H04M 1/0239; H04M 1/0266; H04M 1/0268; H04M 1/027; H04M 1/0295
- See application file for complete search history.

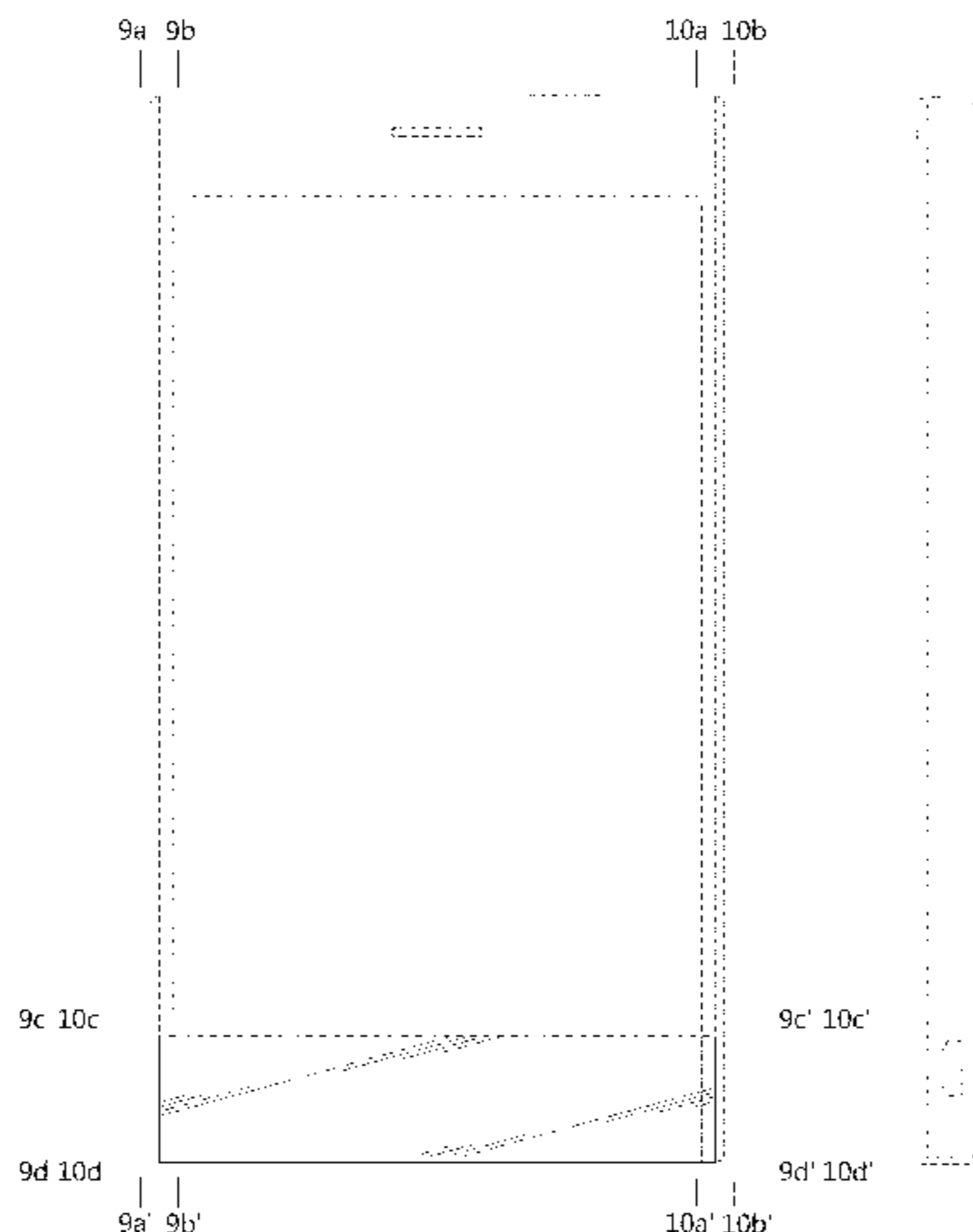
(56) **References Cited**

U.S. PATENT DOCUMENTS

D303,111	S	8/1989	Paley		
D608,322	S	*	1/2010	Kim D14/138 G
D644,989	S	*	9/2011	Guccione D13/108

FOREIGN PATENT DOCUMENTS

CN	3543532	S	7/2006		
CN	301090576	S	12/2009		
CN	301328952	S	8/2010		
CN	301397797	S	12/2010		
CN	301552949	S	5/2011		
CN	301633578	S	8/2011		
CN	301720627	S	11/2011		
CN	302190209	S	11/2012		
CN	302219811	S	12/2012		
CN	302254377	S	12/2012		
CN	302341226	S	3/2013		
CN	302483721	S	6/2013		
CN	302680760	S	12/2013		
EP	000800750-0001		10/2007		
EP	001053060-0001		10/2009		
EP	001169692-0001		10/2009		
EP	000974449-0032		1/2011		
EP	001935800-0014		11/2011		
EP	002236091-0001		6/2013		



Kellex, “Samsung Shows Off ‘Youm’ Flexible Display on Prototype Phone at CES” dated Jan. 9, 2013, accessed Sep. 19, 2014.

Richardson, Valerie, “Samsung’s Flexible Display Smartphone Launching This Week as the Galaxy Round” dated Oct. 7, 2013, accessed Sep. 19, 2014.

“Vans Concept”. [2012] www.vansfans.cn. Jan. 27, 2012 <<http://www.vansfans.cn/weiboshidaishouji/>>.

Warwick, Stephen. “iPhone 6 Concept Surfaces Based on Wrap-around Display Patent”. [2013] www.todaysiphone.com. Apr. 19, 2013. <<http://www.todaysiphone.com/2013/04/iphone-6-concept-surfaces-based-on-wraparound-display-patent/>>.

Wordlesstech team. “LG Triptych Concept Tablet-Phone”. [2011] www.wordlesstech.com. Feb. 12, 2011 <<http://www.wordlesstech.com/2011/02/12/lg-triptych-concept-tablet-phone/>>.

Loveridge, Sam. “Apple Patent Reveals Flexible Wrap-Around Display for Future iPhone, Unlikely for iPhone 6”. [2013] www.trustedreviews.com. Mar. 28, 2013. <<http://www.trustedreviews.com/news/apple-patent-reveals-flexible-wrap-around-display-for-future-iphone-unlikely-for-iphone-6>>.

Malik, Adnan. “Apple iPhone: Flexible Display Screen Phone is Coming!”. [2013] www.itechwhiz.com May 2013 <<http://www.itechwhiz.com/2013/05/apple-iphone-flexible-screen-display-releasedate.html>>.

Darell, Richard. “Apple Patents Flexible Wraparound Display Smartphone”. [2013] www.bitrebels.com. <<http://www.bitrebels.com/technology/apple-patents-flexible-smartphone/>>.

“Concept Floater: Hybrid Smart Phone and E-Books” dated May 10, 2012, accessed Sep. 22, 2014.

Arghire, Ionut. “HTC 1 Phone Concept on Display”. [2010] [www.news.softpedia.com](http://news.softpedia.com). Jul. 13, 2010 <<http://news.softpedia.com/news/HTC-1-Phone-Concept-on-Display-147276.shtml>>.

“Guards iPhone 6 Concept Photo: Tall on Three Sides Around the Screen”. [2014] www.chinaz.com Feb. 27, 2014 <<http://www.chinaz.com/mobile/2014/0227/341020.shtml#g341020=10>>.

U.S. Appl. No. 29/503,971, filed Oct. 1, 2014, Kim et al.

U.S. Appl. No. 29/503,973, filed Oct. 1, 2014, Kim et al.

U.S. Appl. No. 29/503,978, filed Oct. 1, 2014, Kim et al.

U.S. Appl. No. 29/503,968, filed Oct. 1, 2014, Kim et al.

U.S. Appl. No. 29/503,975, filed Oct. 1, 2014, Kim et al.

U.S. Appl. No. 29/504,020, filed Oct. 1, 2014, Kim et al.

* cited by examiner

Primary Examiner — Bridget L Eland
(74) Attorney, Agent, or Firm — NSIP Law

(57) **CLAIM**

We claim the ornamental design for a portable electronic device, as shown and described.

DESCRIPTION

FIG. 1 is a front perspective view of a portable electronic device showing our new design;

FIG. 2 is a front view thereof;

FIG. 3 is a rear view thereof;

FIG. 4 is a left-side view thereof;

FIG. 5 is a right-side view thereof;

FIG. 6 is a top view thereof;

FIG. 7 is a bottom view thereof;

FIG. 8 is another front perspective view thereof;

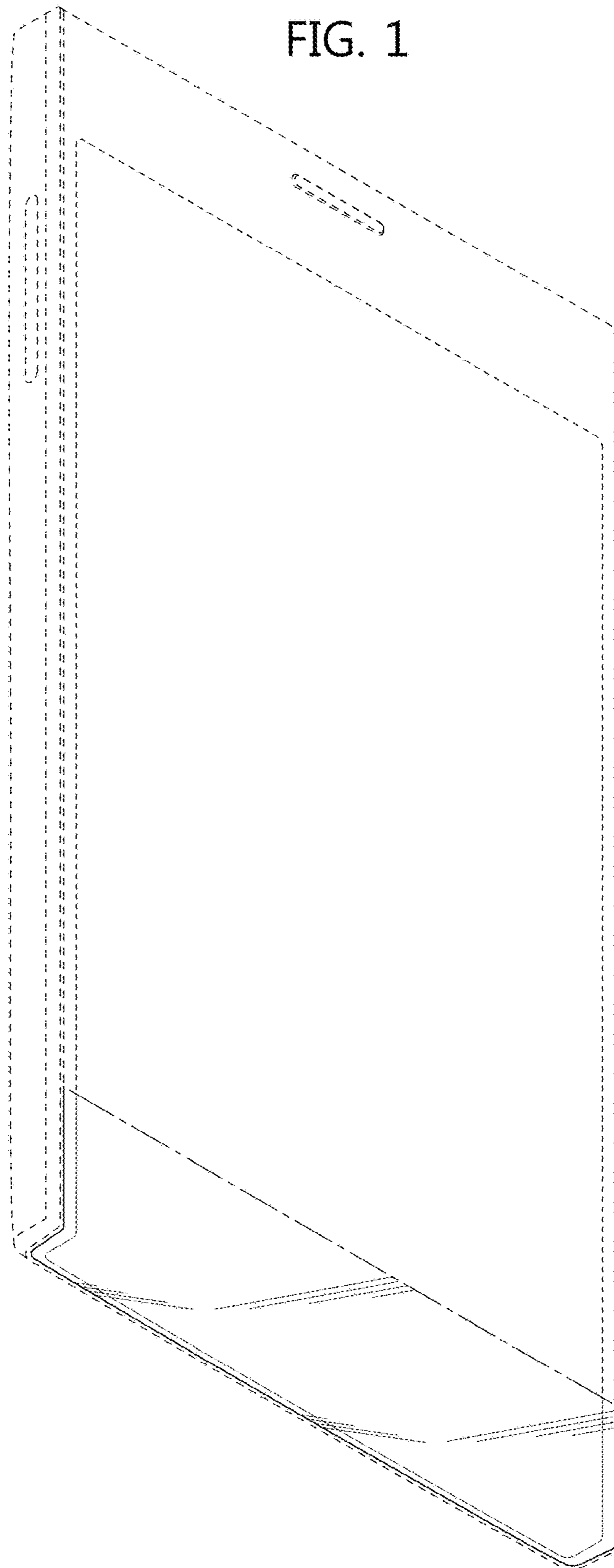
FIG. 9 is a partial enlarged view of the portable electronic device, as viewed from the front view (9a-9a', 9b-9b', 9c-9c', 9d-9d') of FIG. 2 that is included to more clearly depict the design;

FIG. 10 is a partial enlarged view of the portable electronic device, as viewed from the front view (10a-10a', 10b-10b', 10c-10c', 10d-10d') of FIG. 2 that is included to more clearly depict the design; and,

FIG. 11 is a partial enlarged view of the portable electronic device, as viewed from the bottom view (11a-11a', 11b-11b', 11c-11c', 11d-11d') of FIG. 7 that is included to more clearly depict the design.

The dot-dash broken lines in the figures represent an unclaimed boundary line, the dash-dash broken lines in the figures are directed to environment; the dot-dot-dash broken lines in the figures identify partially enlarged views and are for reference only; the broken lines form no part of the claimed design.

1 Claim, 8 Drawing Sheets



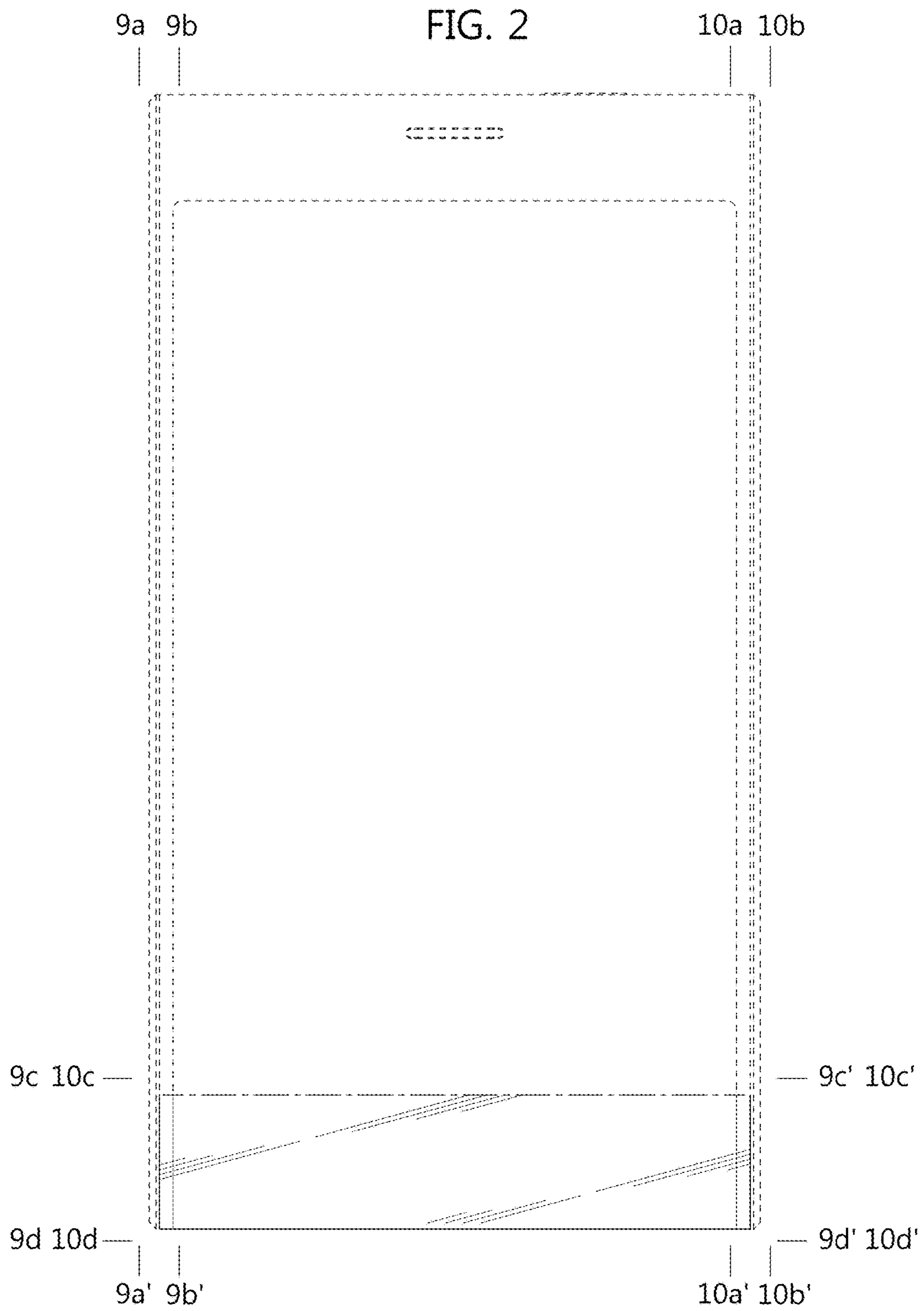


FIG. 3

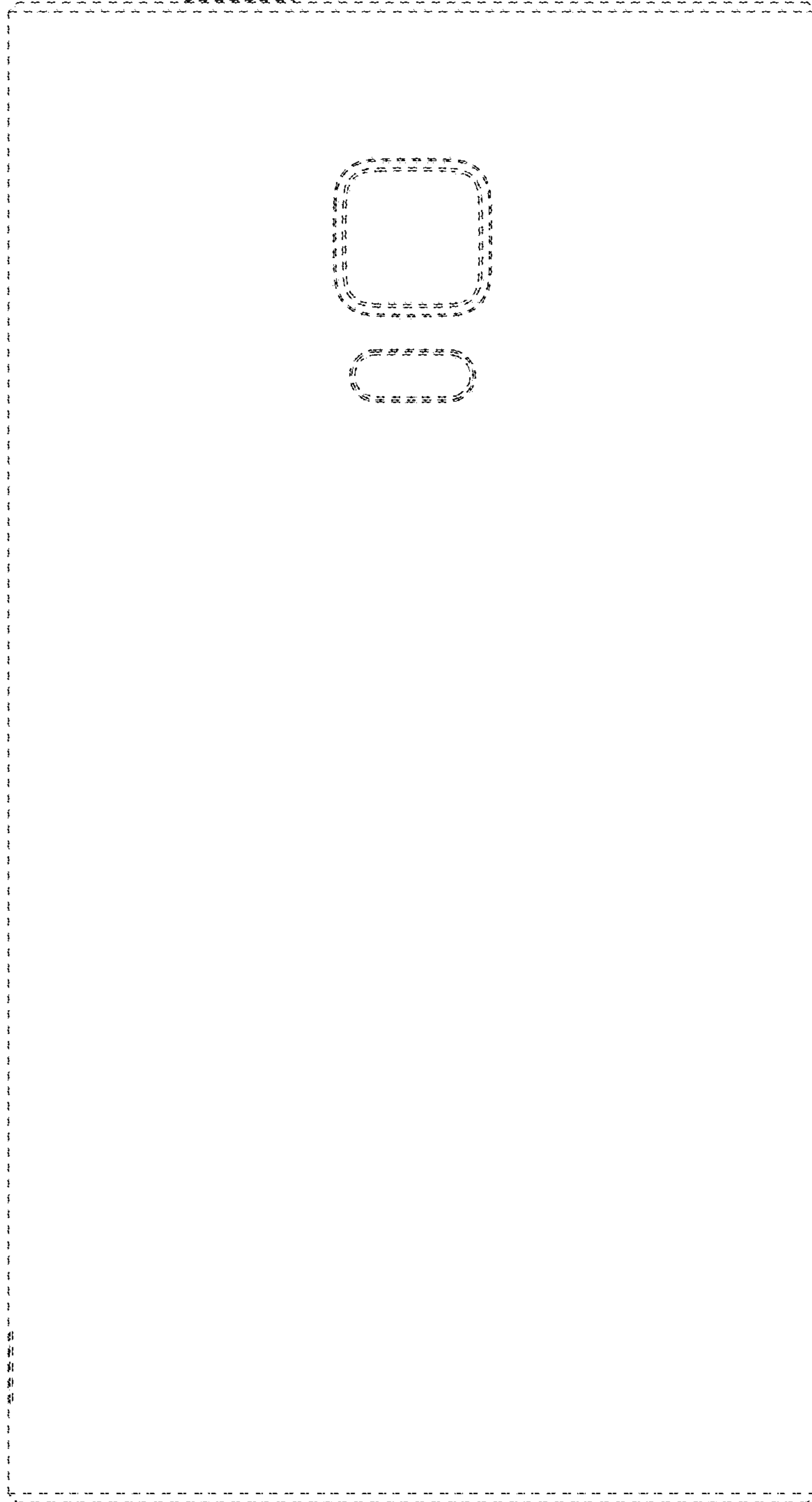


FIG. 4

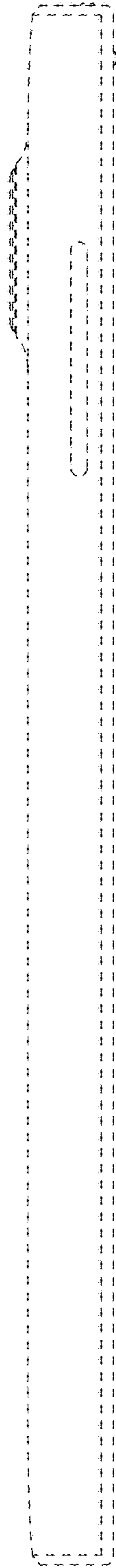


FIG. 5

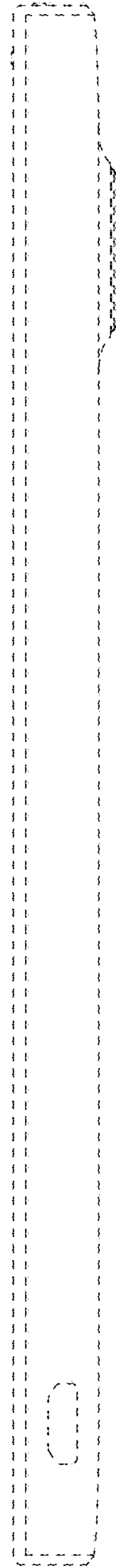


FIG. 6



FIG. 7

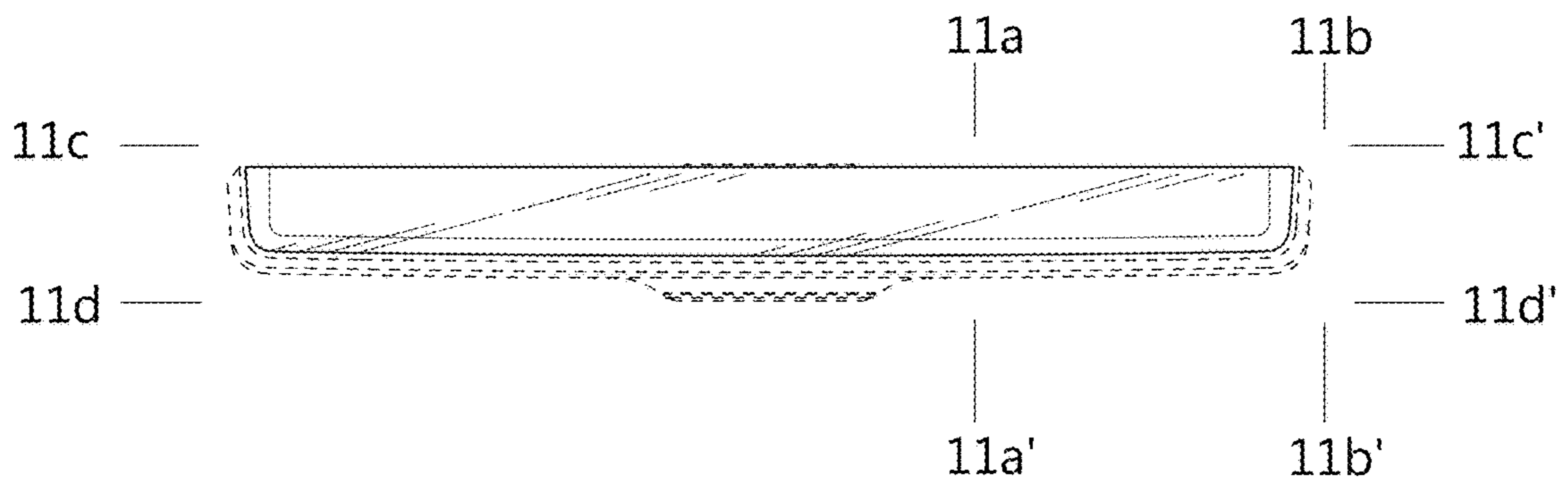


FIG. 8

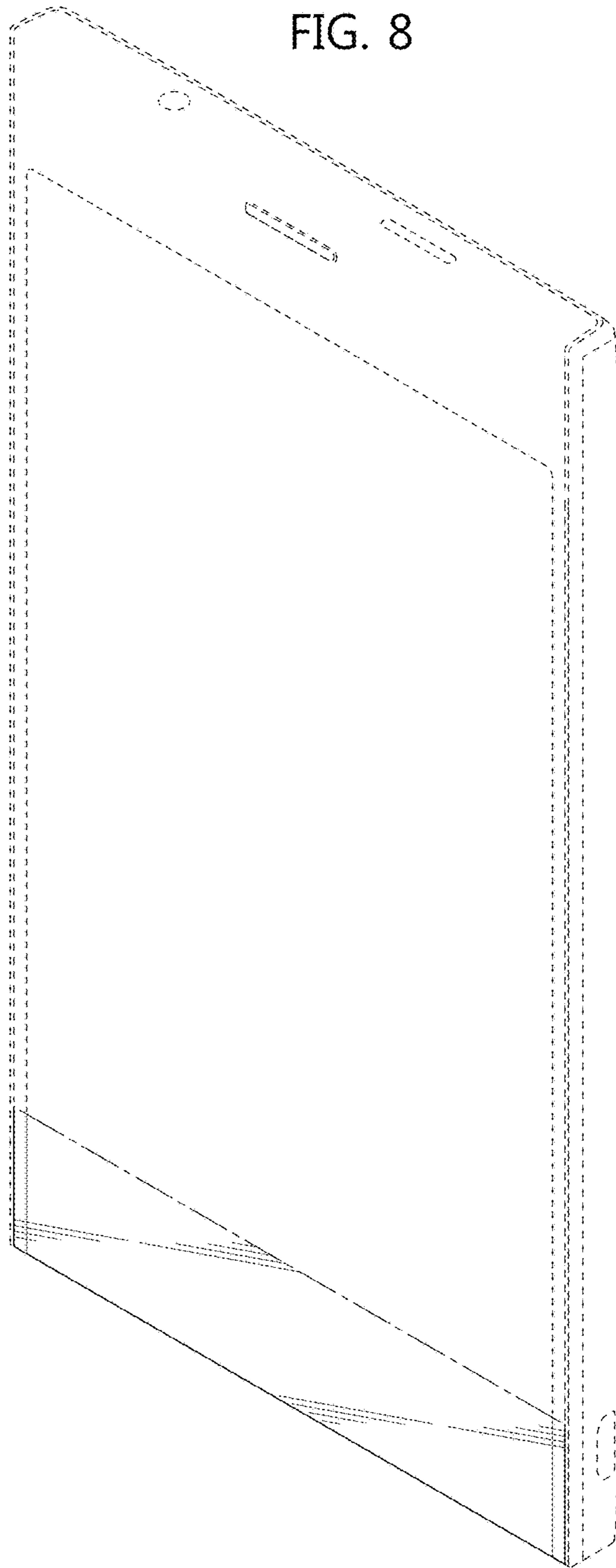


FIG. 9

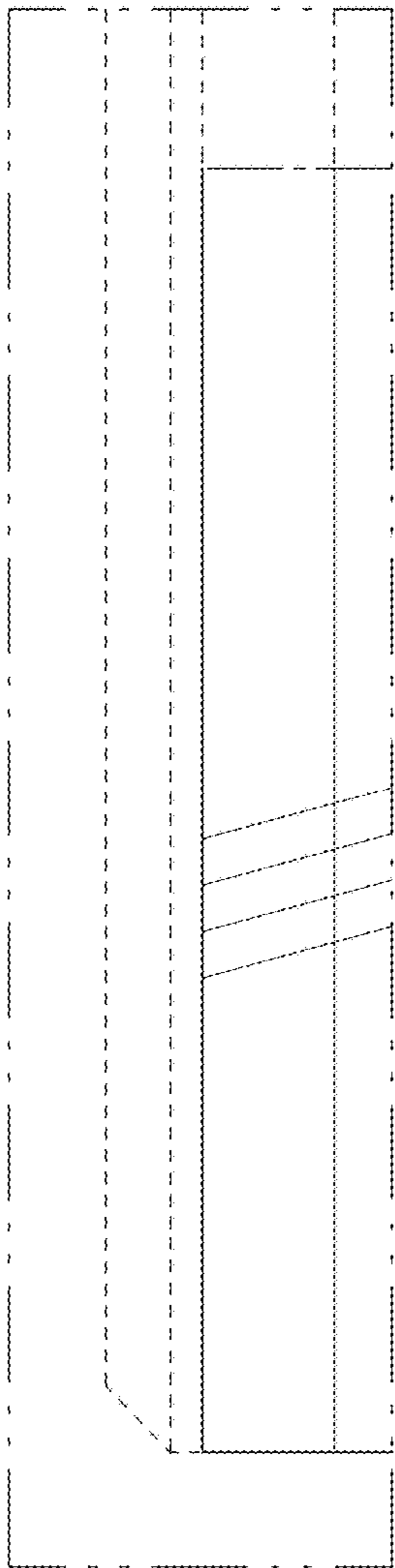


FIG. 10

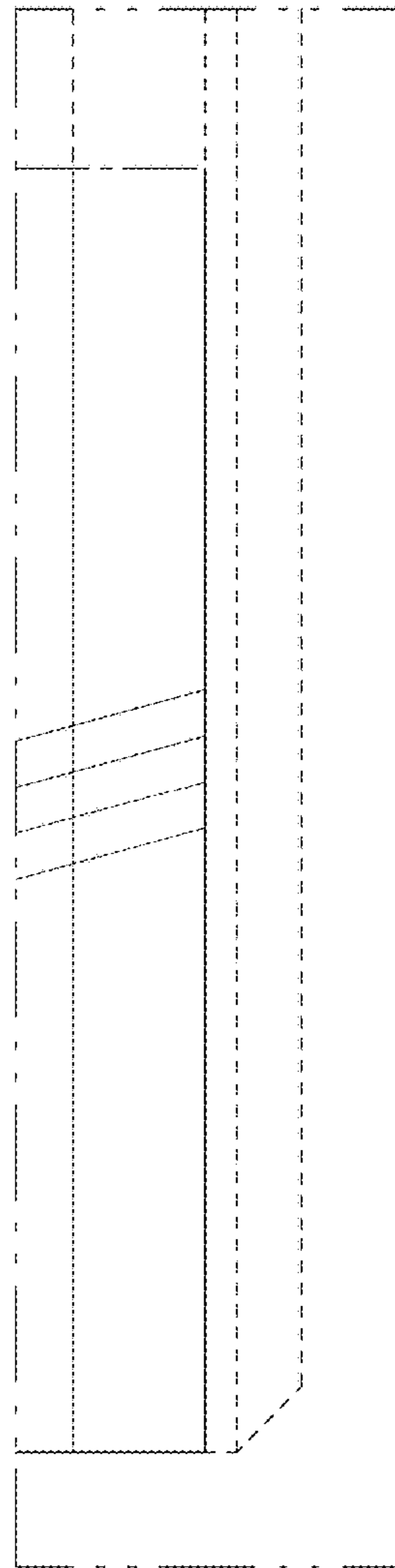


FIG. 11

