



US00D797712S

(12) **United States Design Patent** (10) **Patent No.:** **US D797,712 S**
Chang et al. (45) **Date of Patent:** **** Sep. 19, 2017**

(54) **NETWORK HUB**
(71) Applicant: **Samsung Electronics Co., Ltd.**,
Suwon-si (KR)
(72) Inventors: **Shih-Tao Chang**, Sunnyvale, CA (US);
Chunkwok Lee, Campbell, CA (US)
(73) Assignee: **SAMSUNG ELECTRONICS CO.,**
LTD., Suwon-si (KR)

D517,065 S * 3/2006 Ko D14/365
D526,648 S * 8/2006 Andre D14/314
D541,811 S * 5/2007 Park D14/188
D542,288 S * 5/2007 Andre D14/314
D549,191 S * 8/2007 Paradise D14/125
D558,790 S * 1/2008 Yu D14/496
D563,994 S * 3/2008 Liu D14/356
D568,337 S * 5/2008 An D14/168
D580,920 S * 11/2008 Wikel D14/240
D593,972 S * 6/2009 Cho D14/125

(Continued)

(**) Term: **15 Years**

OTHER PUBLICATIONS

(21) Appl. No.: **29/567,635**
(22) Filed: **Jun. 10, 2016**
(51) **LOC (10) Cl.** **14-03**
(52) **U.S. Cl.**
USPC **D14/240**; D14/358
(58) **Field of Classification Search**
USPC D14/356-358, 388, 496, 137, 140, 140.1,
D14/140.2, 155, 225, 226, 230, 240, 242,
D14/243, 299, 300, 301, 302, 314, 328,
D14/348, 349, 353, 354; D13/123, 158,
D13/162, 162.1, 164, 168, 171-174, 184,
D13/199; D9/414, 430, 432
CPC ... H04W 88/00; H04W 88/005; H04W 88/08;
H04W 88/085; H04W 88/10; H04W
88/12; H04W 84/04; H04W 84/042;
H04W 84/045; H04W 84/047; H04W
84/105; H05K 5/0217
See application file for complete search history.

Network Devices. (Design- © Questel). orbit.com. [online PDF] 23 pgs. Print Dates range May 2, 2011-Nov. 16, 2016. [retrieved on Feb. 17, 2017] <https://sobjprd.questel.fr/export/QPTUJ214/pdf2/847acd63-37ee-4873-b6e6-0b0573175a83-184417.pdf>*

Primary Examiner — Susan Bennett Hattan
Assistant Examiner — Marie Fast Horse
(74) *Attorney, Agent, or Firm* — McAndrews Held & Malloy, Ltd.

(57) **CLAIM**

The ornamental design for a network hub, as shown and described.

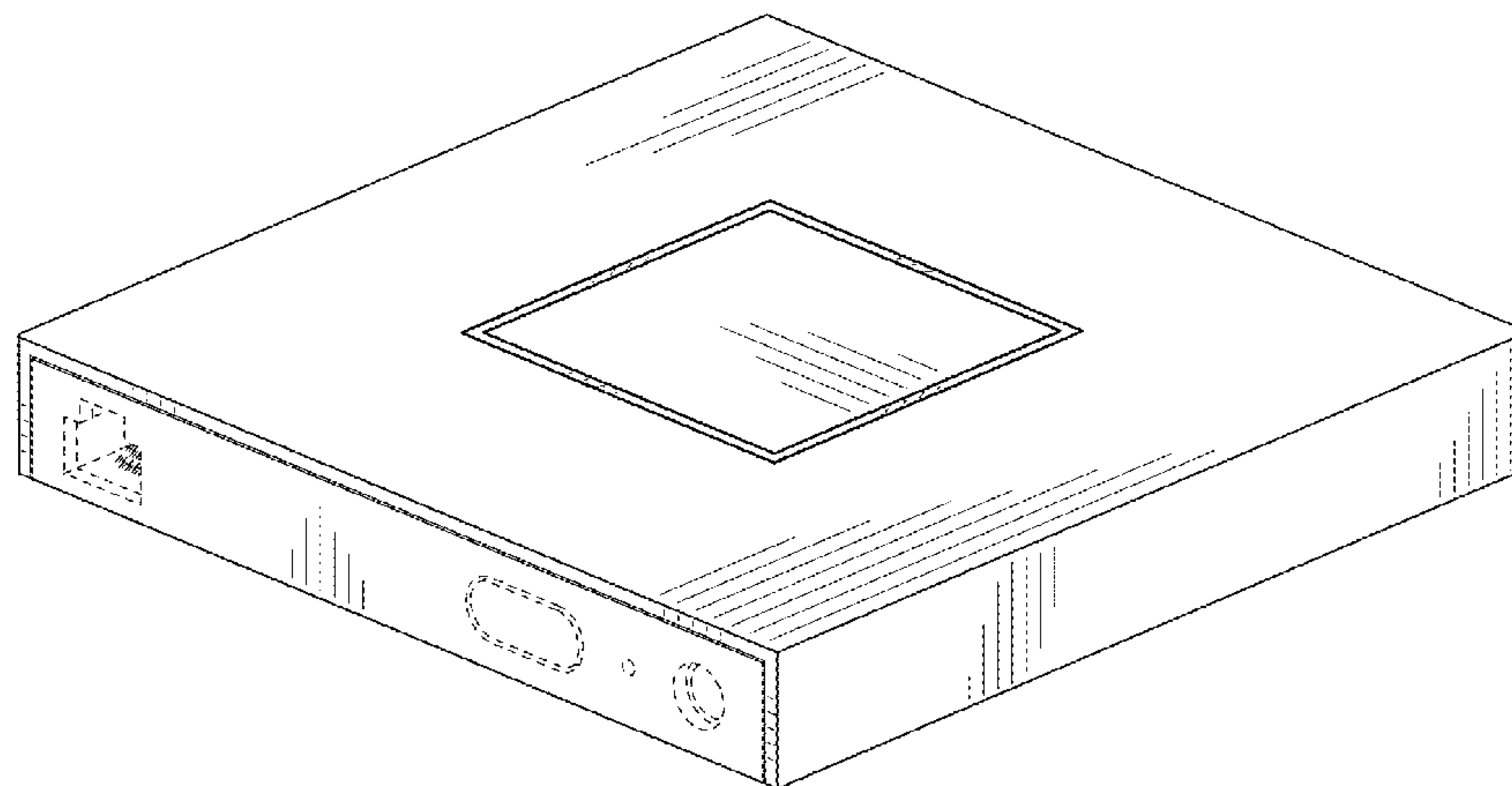
DESCRIPTION

FIG. 1 is a top front perspective view of a network hub showing our new design;
FIG. 2 is a front elevation view thereof;
FIG. 3 is a rear elevation view thereof;
FIG. 4 is a right-side elevation view thereof;
FIG. 5 is a left-side elevation view thereof;
FIG. 6 is a top plan view thereof; and,
FIG. 7 is a bottom plan view thereof.
The broken lines in FIGS. 1 and 2 illustrate portions of the network hub that form no part of the claimed design.
The oblique shade lines in FIGS. 1 and 6 represent a translucent or transparent surface.

(56) **References Cited**
U.S. PATENT DOCUMENTS

D371,122 S * 6/1996 Takahashi D14/365
D400,512 S * 11/1998 Korhonen D13/184
D459,339 S * 6/2002 Tong D14/197
D464,339 S * 10/2002 Tomino D14/240
D494,579 S * 8/2004 Chuang D14/314
D497,350 S * 10/2004 Ichitsubo D13/110
D513,750 S * 1/2006 Ko D14/365

1 Claim, 3 Drawing Sheets



(56)

References Cited

U.S. PATENT DOCUMENTS

D601,583	S	*	10/2009	Andre	D14/496
D606,542	S	*	12/2009	Lu	D14/240
D647,922	S	*	11/2011	Cho	D14/500
D650,377	S	*	12/2011	Akana	D14/314
D650,394	S	*	12/2011	Seoc	D14/496
D657,784	S	*	4/2012	Akana	D14/314
D658,611	S	*	5/2012	Bang	D14/125
D660,829	S	*	5/2012	Wang	D14/240
D660,834	S	*	5/2012	Akana	D14/314
D662,496	S	*	6/2012	Lewis	D14/240
D667,411	S	*	9/2012	Kim	D14/434
D675,173	S	*	1/2013	Paradise	D14/125
D686,198	S	*	7/2013	Lewis	D14/240
D686,201	S	*	7/2013	Lee	D14/314
D689,051	S	*	9/2013	Lee	D14/358
D702,218	S	*	4/2014	Wu	D14/242
D717,749	S	*	11/2014	Nakano	D14/125
D718,271	S	*	11/2014	McTague	D14/203.1
D719,561	S	*	12/2014	Akana	D14/314
D720,755	S	*	1/2015	Nokuo	D14/433
D742,884	S	*	11/2015	Seflic	D14/433
D744,483	S	*	12/2015	Barbu	D14/358

* cited by examiner

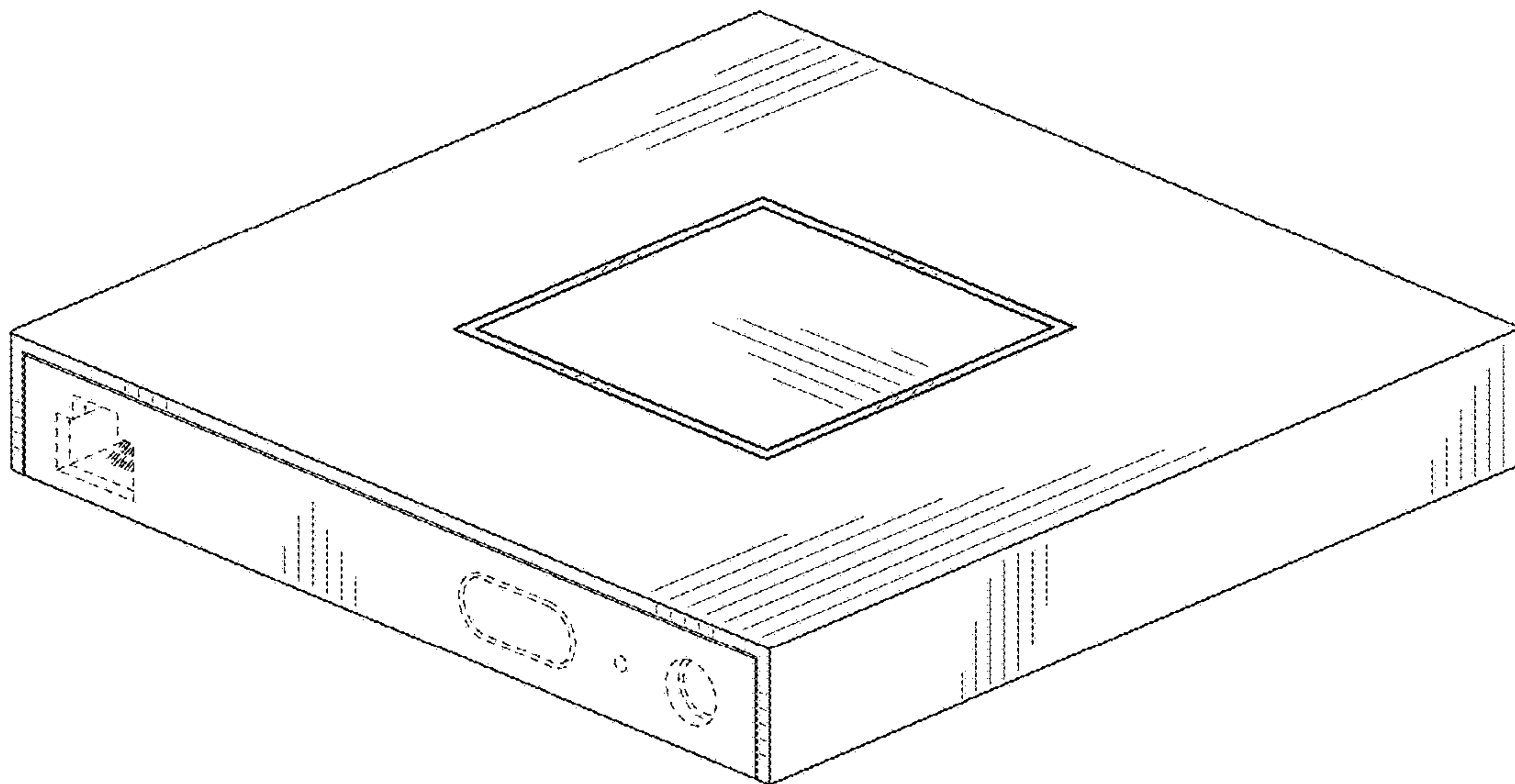


FIG. 1

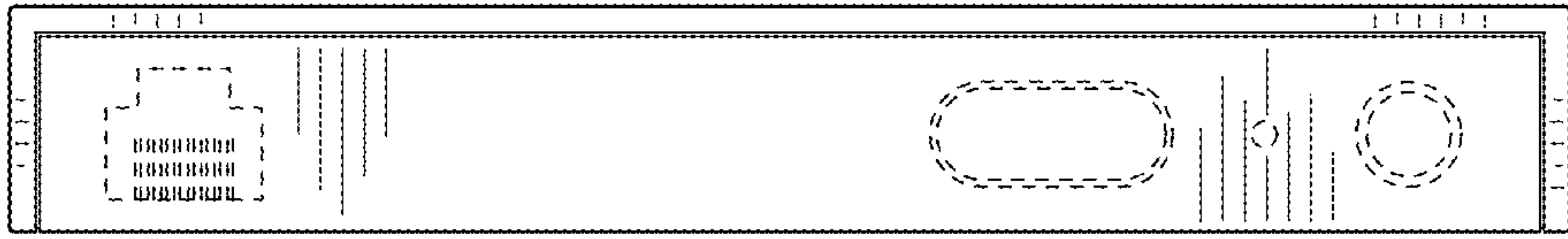


FIG. 2

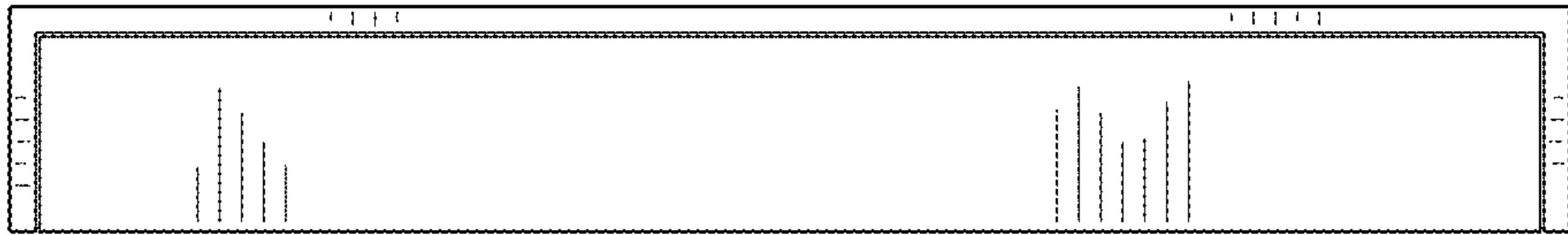


FIG. 3

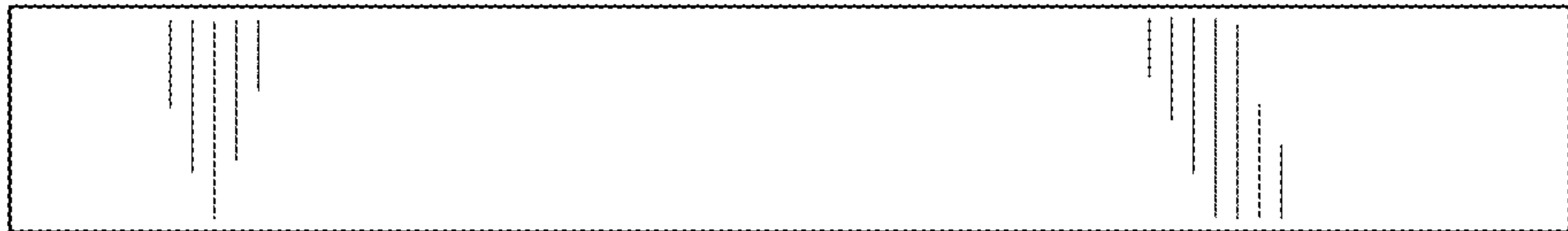


FIG. 4



FIG. 5

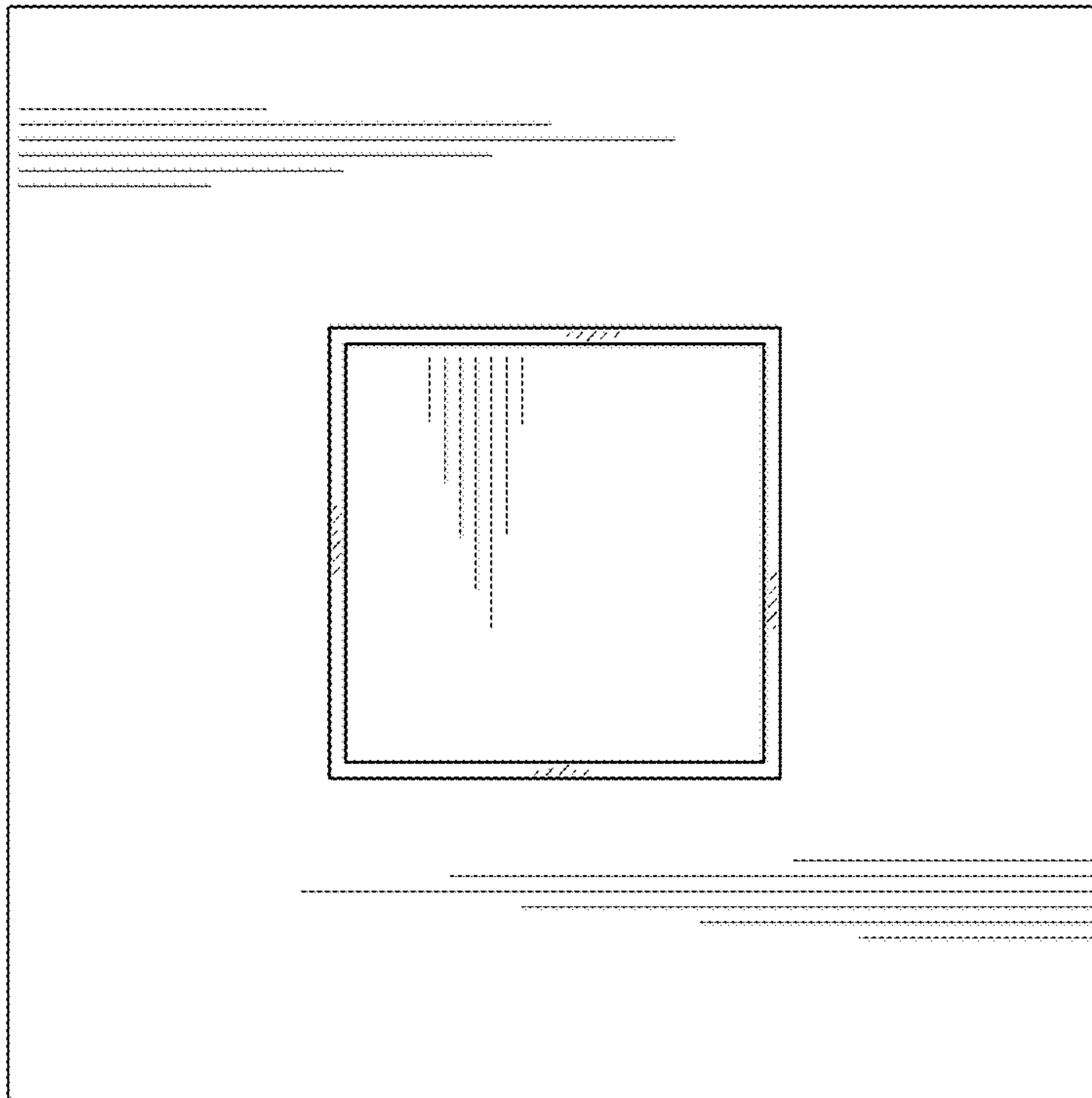


FIG. 6

FIG. 7

