



US00D797710S

(12) **United States Design Patent**
Podduturi

(10) **Patent No.:** **US D797,710 S**

(45) **Date of Patent:** **** Sep. 19, 2017**

(54) **PHOTOCELL COBRA ISM ANTENNA**

(71) Applicant: **World Products, Inc.**, Sonoma, CA
(US)

(72) Inventor: **Bharadvaj R. Podduturi**, American
Canyon, CA (US)

(73) Assignee: **World Products, Inc.**, Sonoma, CA
(US)

(**) Term: **15 Years**

(21) Appl. No.: **29/552,113**

(22) Filed: **Jan. 20, 2016**

(51) **LOC (10) Cl.** **14-03**

(52) **U.S. Cl.**
USPC **D14/230**

(58) **Field of Classification Search**
USPC D14/138, 230, 231, 232, 233, 234, 235,
D14/236, 237, 238, 238.1, 299, 358;
D13/175, 182
CPC G01R 29/10; G01S 2013/0245; G01S
2013/0254; G01S 2013/0263; G01S
7/4026; G05B 2219/45001; G06K
19/07773; G06K 19/07775; G06K
19/07777; G08B 13/2468; G08B 13/2477;
H01Q 1/088

See application file for complete search history.

(56) **References Cited**

U.S. PATENT DOCUMENTS

D605,640 S * 12/2009 Wu D14/230
D636,764 S * 4/2011 Mi D14/230
D649,534 S * 11/2011 Mi D14/230
D678,254 S * 3/2013 Ennabli D14/230
D678,255 S * 3/2013 Ko D14/230
D678,257 S * 3/2013 Ko D14/230

D707,664 S * 6/2014 Chu D14/230
D707,665 S * 6/2014 Chu D14/230
2010/0171664 A1* 7/2010 Yang H01Q 1/2266
343/700 MS

OTHER PUBLICATIONS

http://www.worldproducts.com/ISMBand_Embedded.htm—Re-
trieved Jul. 18, 2017.*

* cited by examiner

Primary Examiner — Manpreet Matharu

Assistant Examiner — Mojtaba Tehrani

(74) *Attorney, Agent, or Firm* — Patterson Thuent
Pedersen, P.A.

(57) **CLAIM**

I claim the ornamental design for photocell cobra ISM
antenna, as shown and described.

DESCRIPTION

FIG. 1 is a perspective view of a photocell cobra ISM
antenna according to the invention.

FIG. 2 is a front elevation view of the photocell cobra ISM
antenna depicted in FIG. 1.

FIG. 3 is a rear elevation view of the photocell cobra ISM
antenna depicted in FIG. 1.

FIG. 4 is a side elevation view of the photocell cobra ISM
antenna depicted in FIG. 1.

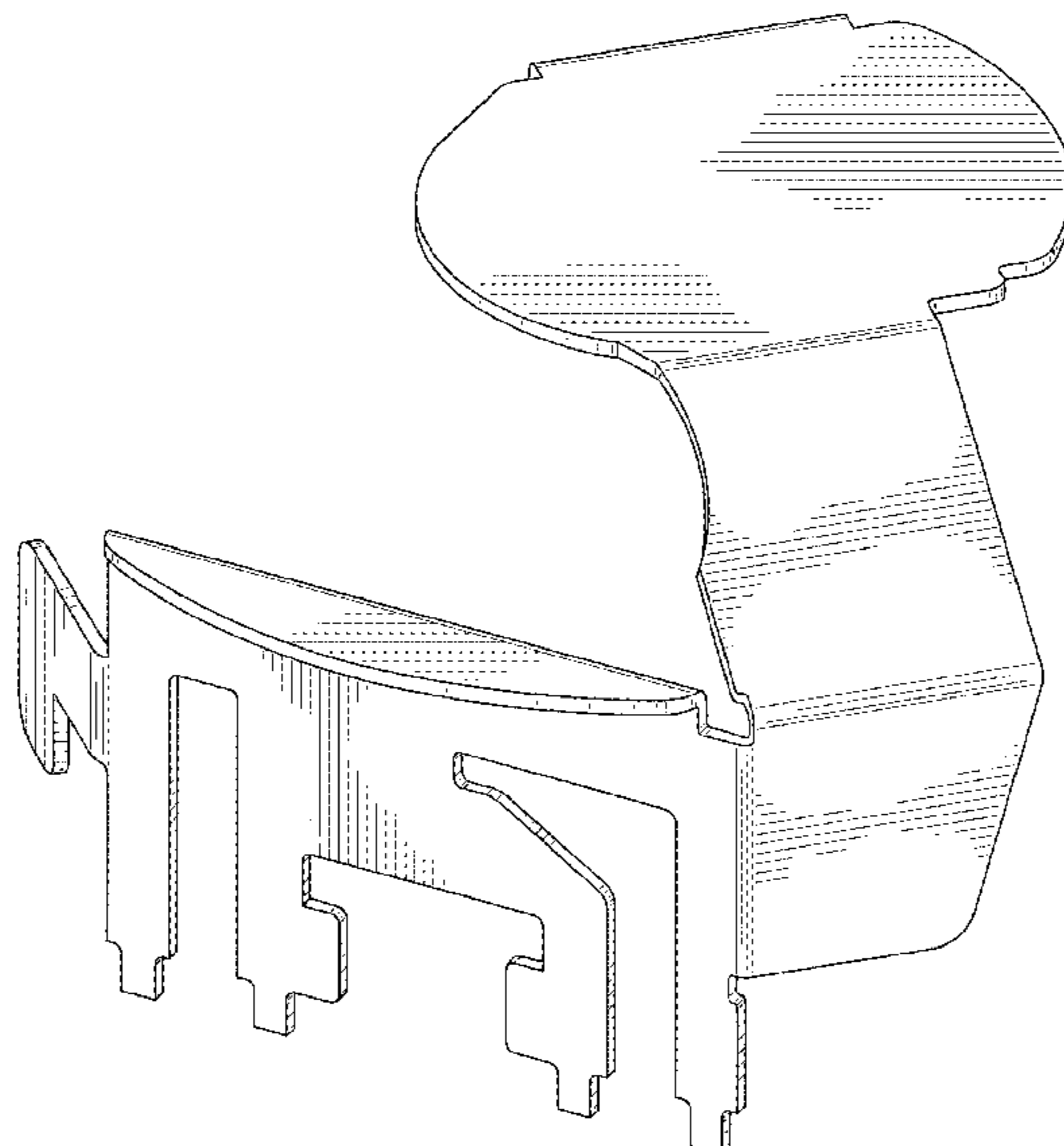
FIG. 5 is another side elevation view of the photocell cobra
ISM antenna depicted in FIG. 1.

FIG. 6 is a top plan view of the photocell cobra ISM antenna
depicted in FIG. 1; and,

FIG. 7 is a bottom plan view of the photocell cobra ISM
antenna depicted in FIG. 1.

The broken lines illustrate portions of the photocell cobra
ISM antenna which form no part of the claimed invention.

1 Claim, 7 Drawing Sheets



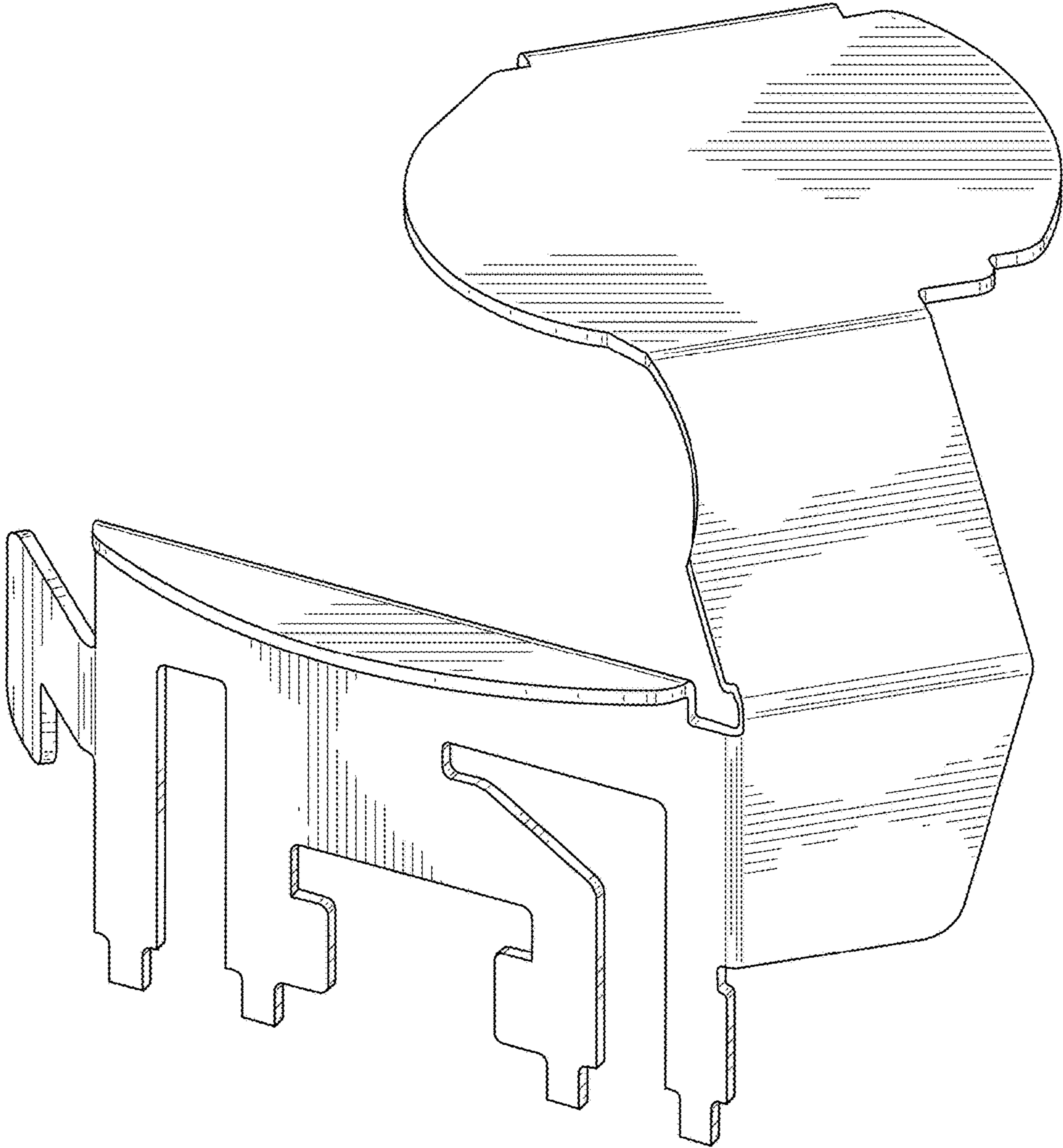


FIG. 1

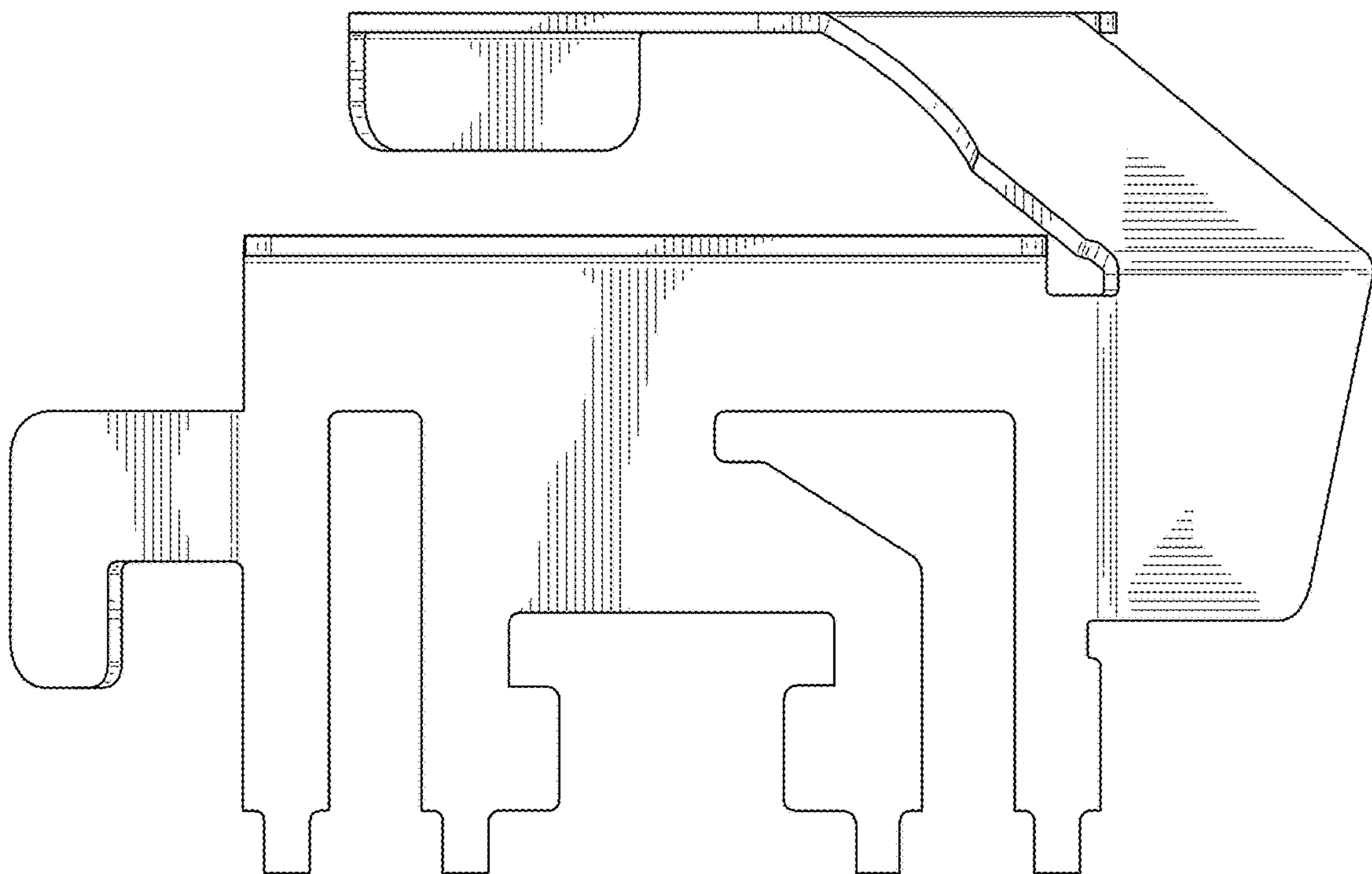


FIG. 2

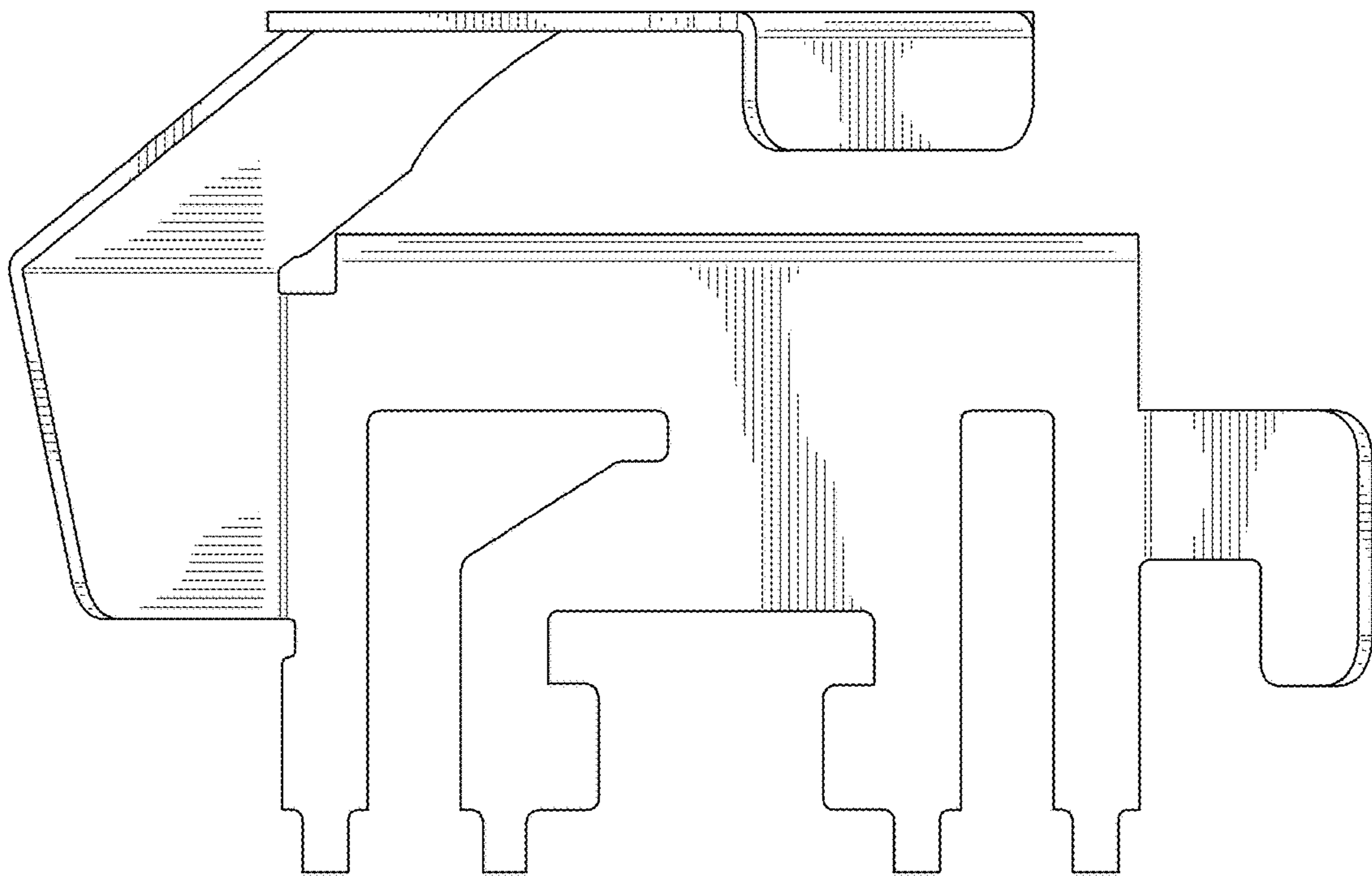


FIG. 3

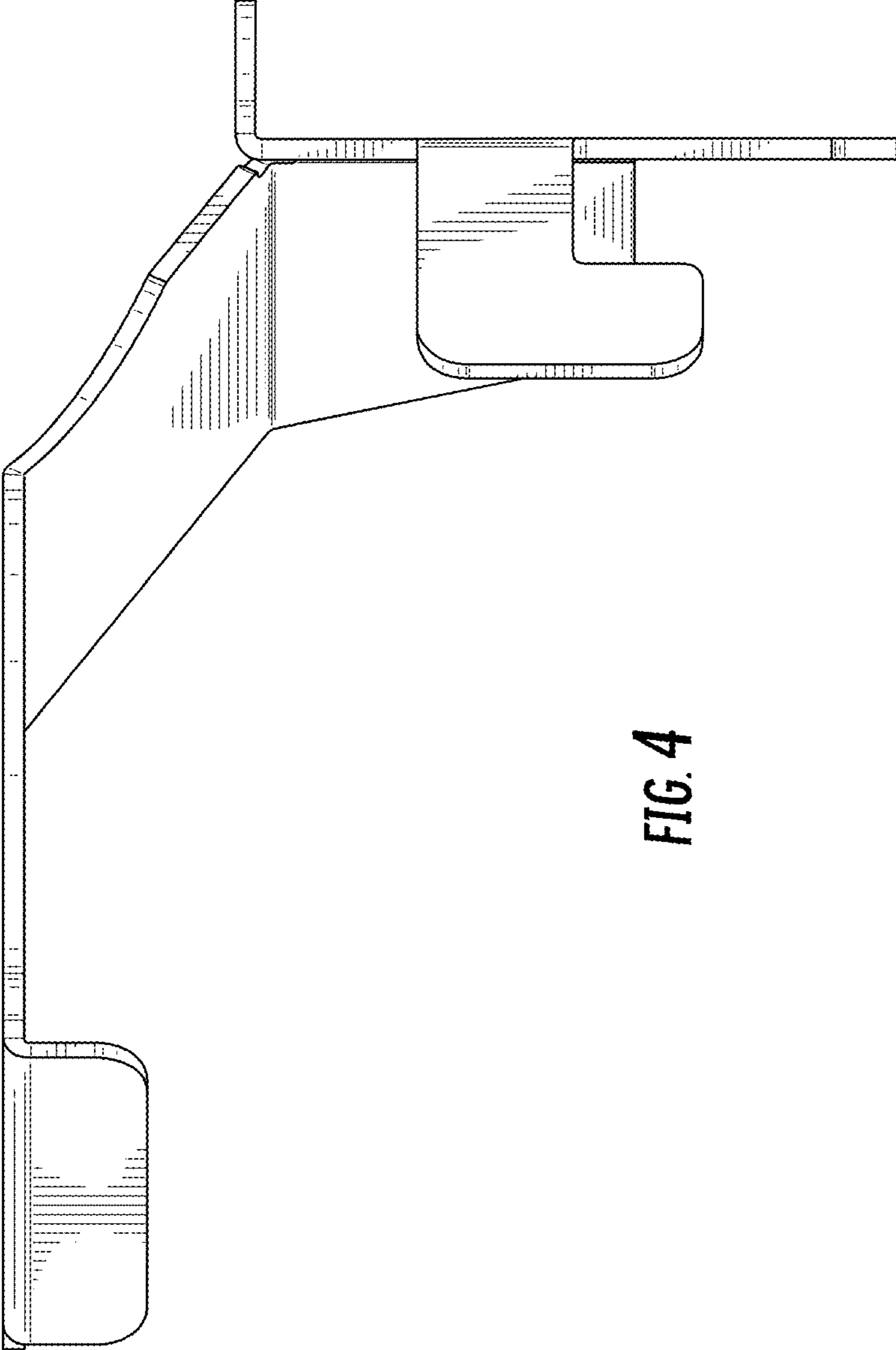
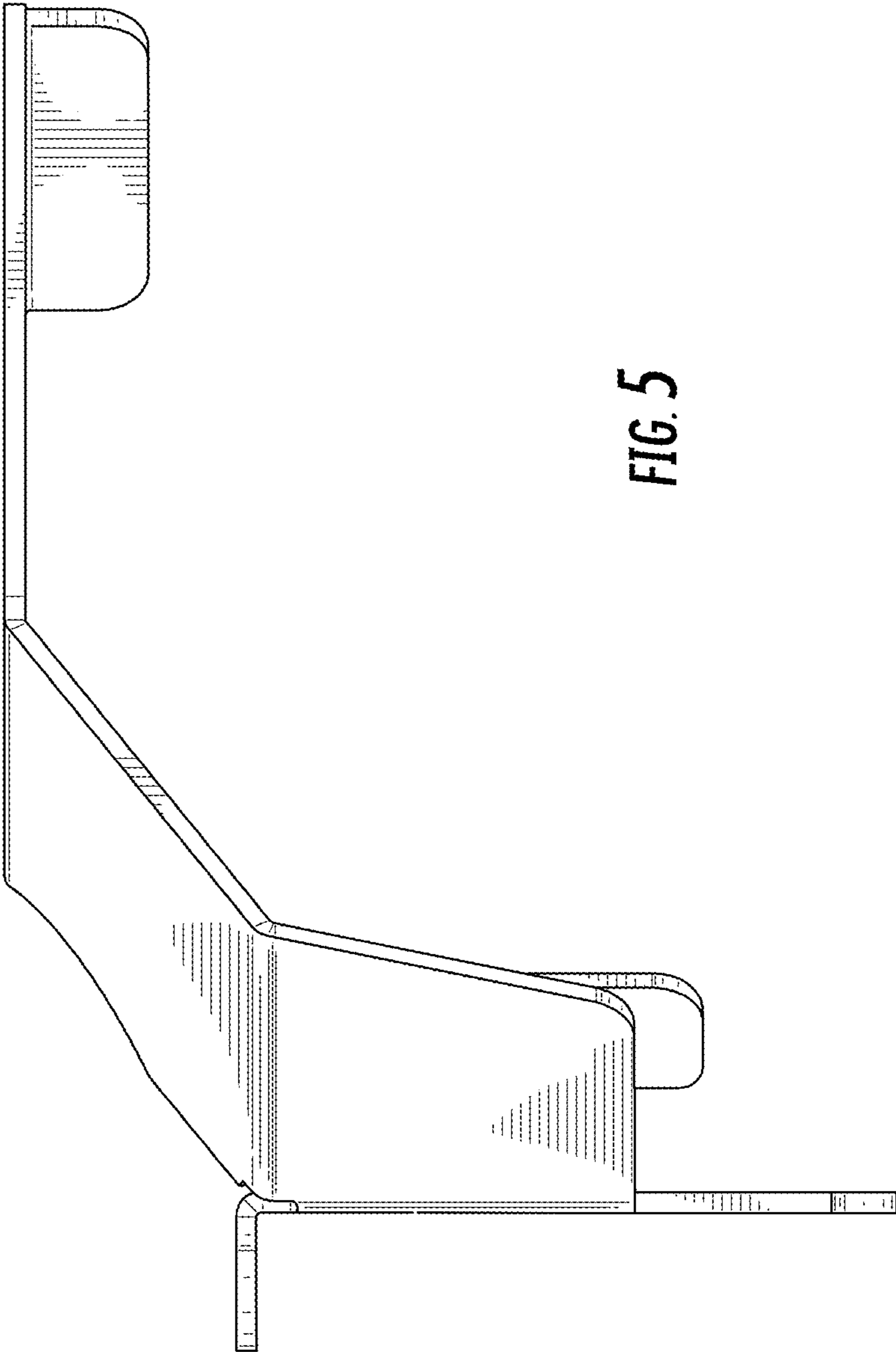


FIG. 4



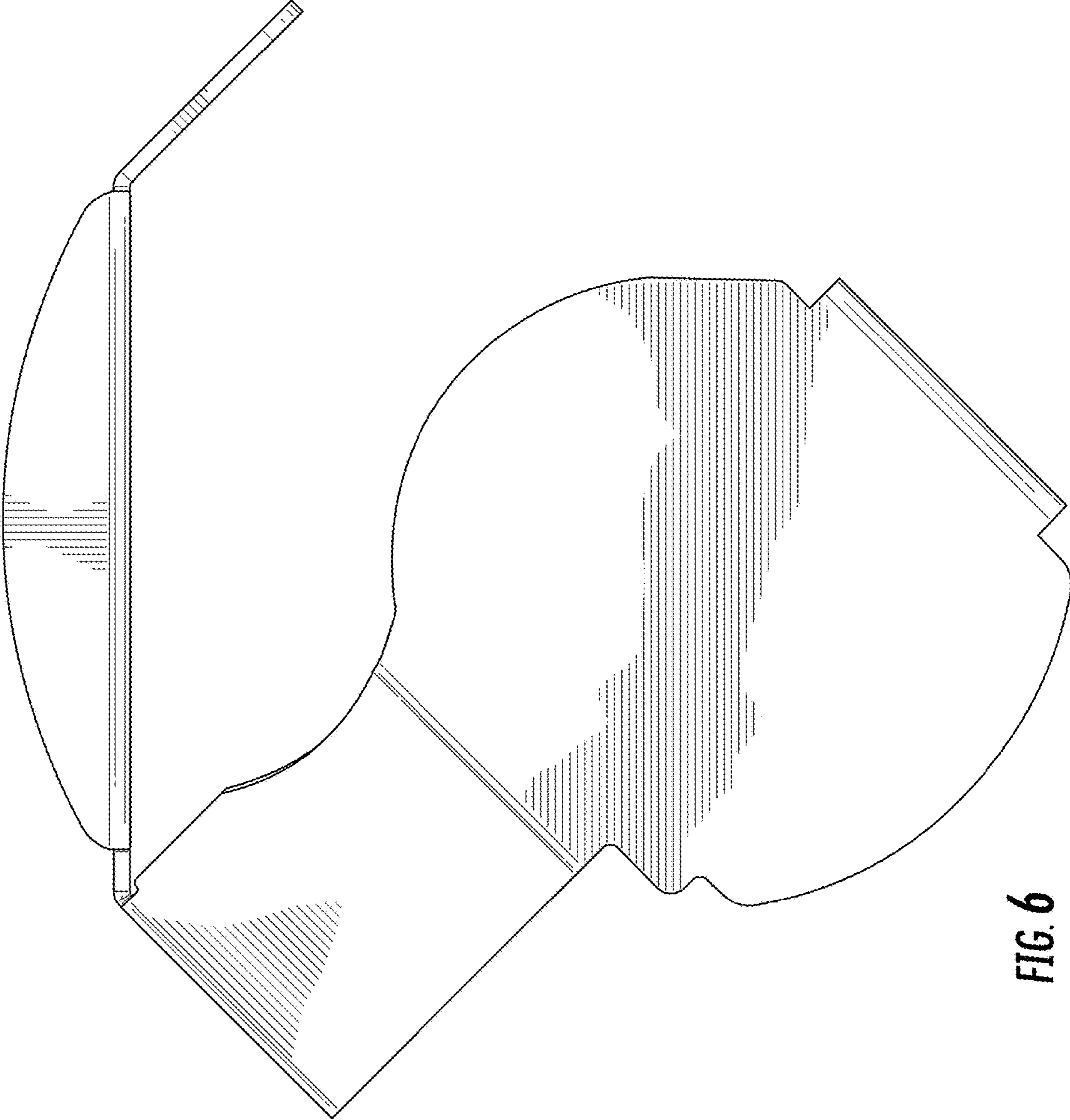


FIG. 6



FIG. 7