



US00D797707S

(12) **United States Design Patent**
Abehassera et al.

(10) **Patent No.:** **US D797,707 S**

(45) **Date of Patent:** **** Sep. 19, 2017**

(54) **VOICE COMMUNICATION DEVICE**

(71) Applicants: **Ilan Abehassera**, New York, NY (US);
Jocelyn Gilbert Masserot, New York,
NY (US); **Olivier Pascal Costier**, New
York, NY (US); **Dan Attali**, New York,
NY (US); **Nellie Alimi**, San Francisco,
CA (US)

(72) Inventors: **Ilan Abehassera**, New York, NY (US);
Jocelyn Gilbert Masserot, New York,
NY (US); **Olivier Pascal Costier**, New
York, NY (US); **Dan Attali**, New York,
NY (US); **Nellie Alimi**, San Francisco,
CA (US)

(**) Term: **15 Years**

(21) Appl. No.: **29/530,735**

(22) Filed: **Jun. 18, 2015**

(51) **LOC (10) Cl.** **14-01**

(52) **U.S. Cl.**
USPC **D14/226**

(58) **Field of Classification Search**
USPC D14/226, 299, 172, 188, 191, 150-152,
D14/154, 157, 168, 167, 248, 149, 142;
D13/108; 379/440, 435, 436, 93.17;
345/168; 375/222; 455/575.1, 575.2
CPC .. H02J 7/00; H04M 1/02; H04M 1/00; H04M
1/04; H04R 1/02; H04R 3/00
See application file for complete search history.

(56) **References Cited**

U.S. PATENT DOCUMENTS

D211,737 S * 7/1968 Dreyfuss D14/151
D213,565 S * 3/1969 Janda D14/149
3,515,814 A * 6/1970 Morgan H04M 11/066
379/357.04
D225,746 S * 1/1973 Federico D14/142

D227,265 S * 6/1973 Hagemann D14/330
D232,562 S * 8/1974 Doyle D14/149
3,838,229 A * 9/1974 Morrell H04M 1/02
379/436
4,012,601 A * 3/1977 Kehren H04M 1/274591
379/357.04
D246,584 S * 12/1977 Bhat D14/146
D254,670 S * 4/1980 Janda D14/149
D259,421 S * 6/1981 Janda D14/149

(Continued)

Primary Examiner — Paula Greene

(74) *Attorney, Agent, or Firm* — Arjomand Law Group,
PLLC

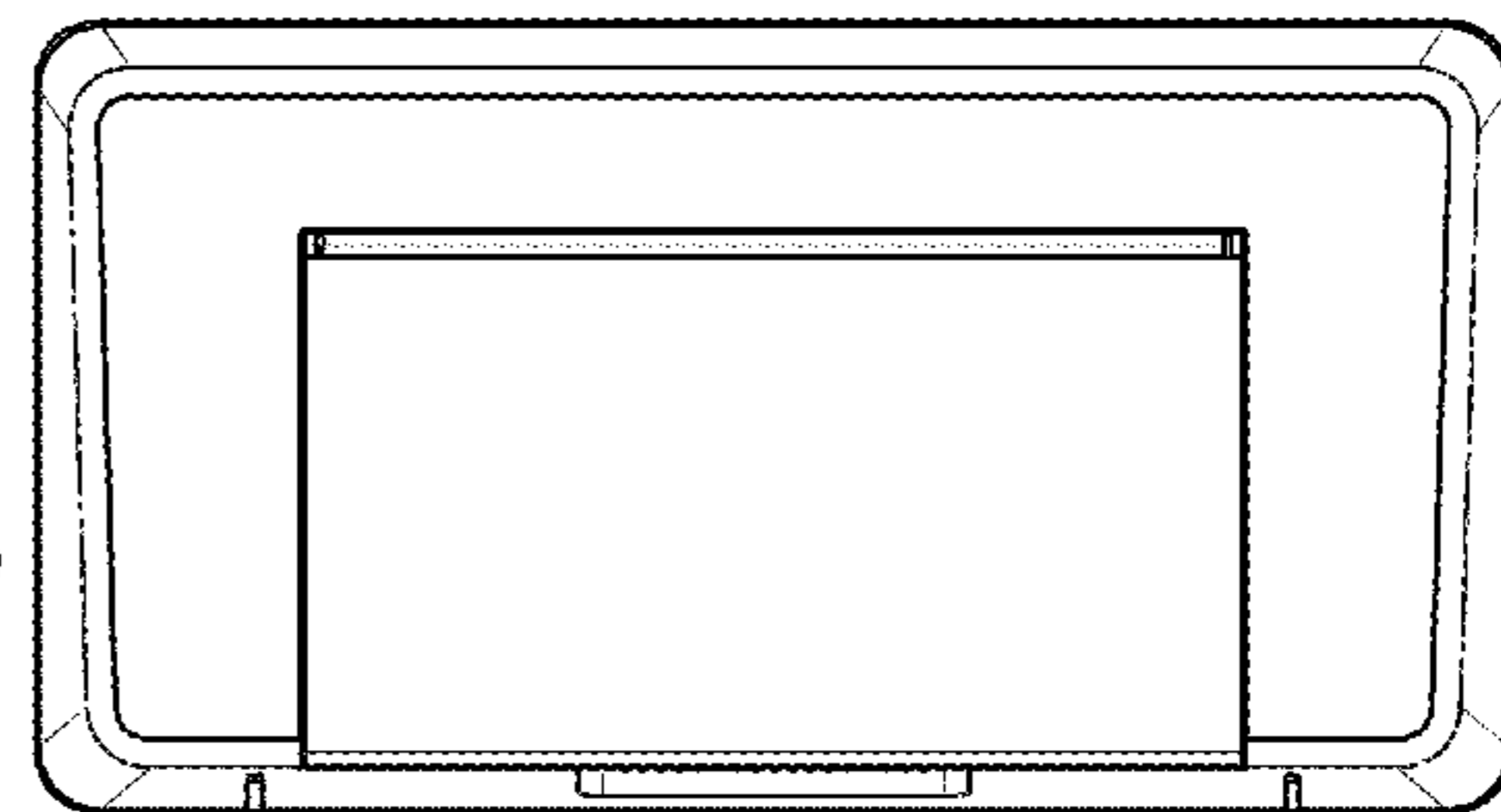
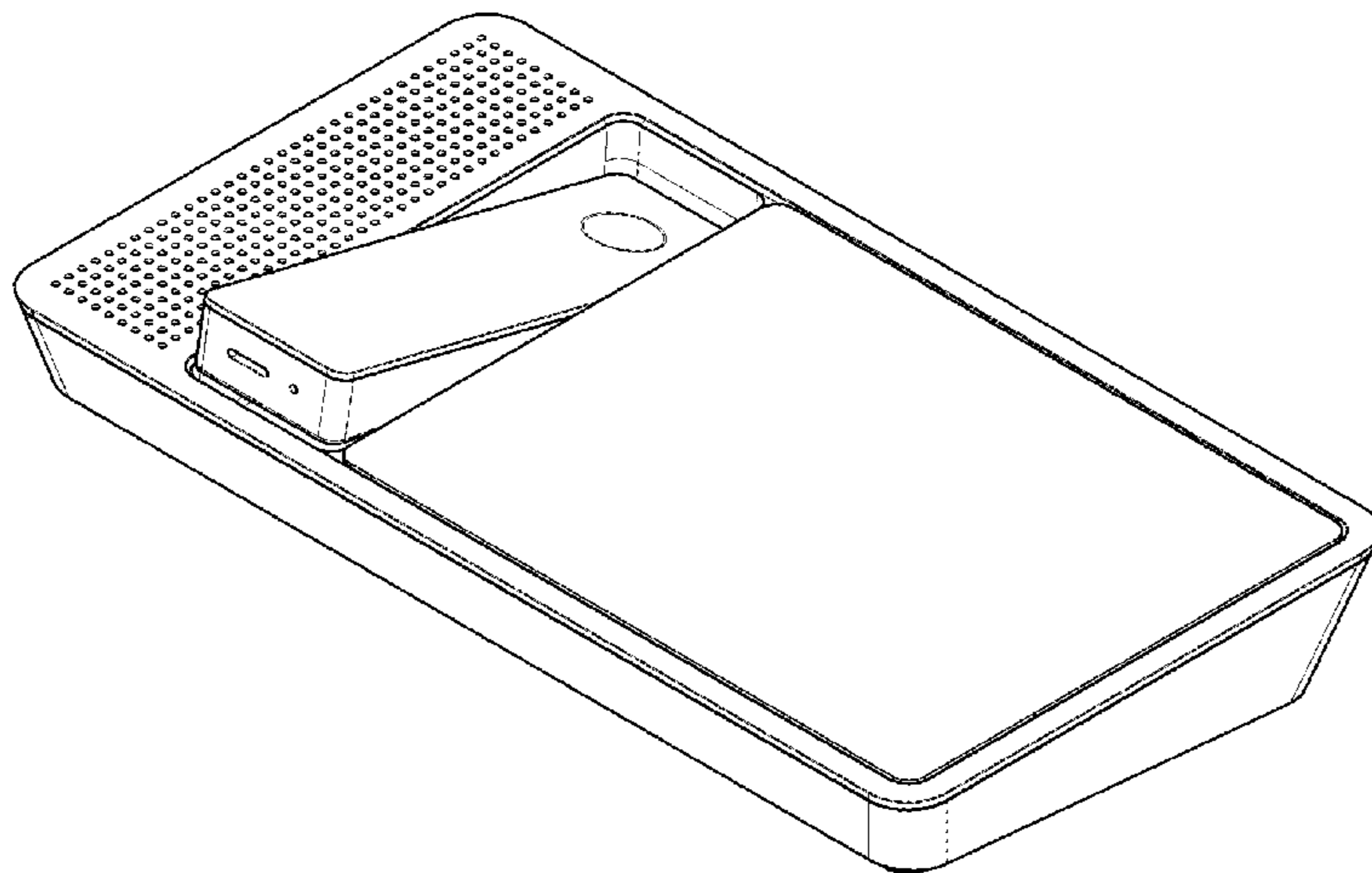
(57) **CLAIM**

The ornamental design for a voice communications device,
as shown and described.

DESCRIPTION

FIG. 1 is a front perspective view of a voice communication device in accordance with the present design;
FIG. 2 is an exploded view of of the handset out of the voice communication device, shown separately for purposes of illustration, the bottom of the handset is not part of the claimed design;
FIG. 3 is another front perspective view thereof with the handset partly out;
FIG. 4 is yet another front perspective view thereof;
FIG. 5 is yet another front perspective view thereof with the handset partly out;
FIG. 6 is a rear perspective view thereof with the stand support out;
FIG. 7 is another rear perspective view thereof with the stand support out;
FIG. 8 is a front view thereof;
FIG. 9 is a right-side view thereof;
FIG. 10 is a top view thereof;
FIG. 11 is a rear view thereof; and,
FIG. 12 is a bottom view thereof.

1 Claim, 8 Drawing Sheets



(56)

References Cited

U.S. PATENT DOCUMENTS

4,284,855 A * 8/1981 Adams H04M 1/0297
 379/435
 D260,520 S * 9/1981 Nagele D14/139
 D262,875 S * 2/1982 Franchi D14/151
 D264,969 S * 6/1982 McGourty D13/184
 D265,401 S * 7/1982 Genaro D14/149
 D265,421 S * 7/1982 Moore D24/147
 D268,579 S * 4/1983 Marshall D14/149
 D271,691 S * 12/1983 Bhat D14/149
 D275,568 S * 9/1984 Marshall D14/149
 D276,430 S * 11/1984 Isaacs D14/149
 D276,998 S * 1/1985 Caven D13/179
 D277,958 S * 3/1985 Cooke D14/151
 D278,814 S * 5/1985 Genaro D14/149
 D279,777 S * 7/1985 Cooke D14/149
 D283,618 S * 4/1986 Janda D14/142
 D285,554 S * 9/1986 Beaumont D13/164
 D286,150 S * 10/1986 Cooke D14/149
 D293,441 S * 12/1987 Kowalik D14/149
 D298,429 S * 11/1988 Lopez-Garcia D14/149

D301,144 S * 5/1989 Jackwicz D14/142
 D301,235 S * 5/1989 Nagele D14/137
 D317,757 S * 6/1991 Yokoi D14/329
 D320,982 S * 10/1991 Siddoway D14/137
 D320,985 S * 10/1991 Danielson D14/142
 D326,649 S * 6/1992 Joffe D14/142
 D343,614 S * 1/1994 Khoo D14/137
 D350,112 S * 8/1994 Lin D13/108
 D368,713 S * 4/1996 Tomlinson D14/150
 D377,793 S * 2/1997 Biasotti D14/149
 D382,307 S * 8/1997 Sharpe, III D14/188
 D410,922 S * 6/1999 Komiyama D13/108
 D411,987 S * 7/1999 Mizusugi D14/130
 D445,399 S * 7/2001 Kolinen D13/107
 D460,434 S * 7/2002 Hollinger D14/167
 D472,887 S * 4/2003 Right D14/172
 D551,216 S * 9/2007 Wei D14/223
 D585,397 S * 1/2009 Hwang D14/130
 D595,735 S * 7/2009 Green D14/168
 D615,066 S * 5/2010 Huang D14/130
 7,746,029 B2 * 6/2010 Toya H02J 7/0042
 320/107
 D633,503 S * 3/2011 Bo D14/434

* cited by examiner

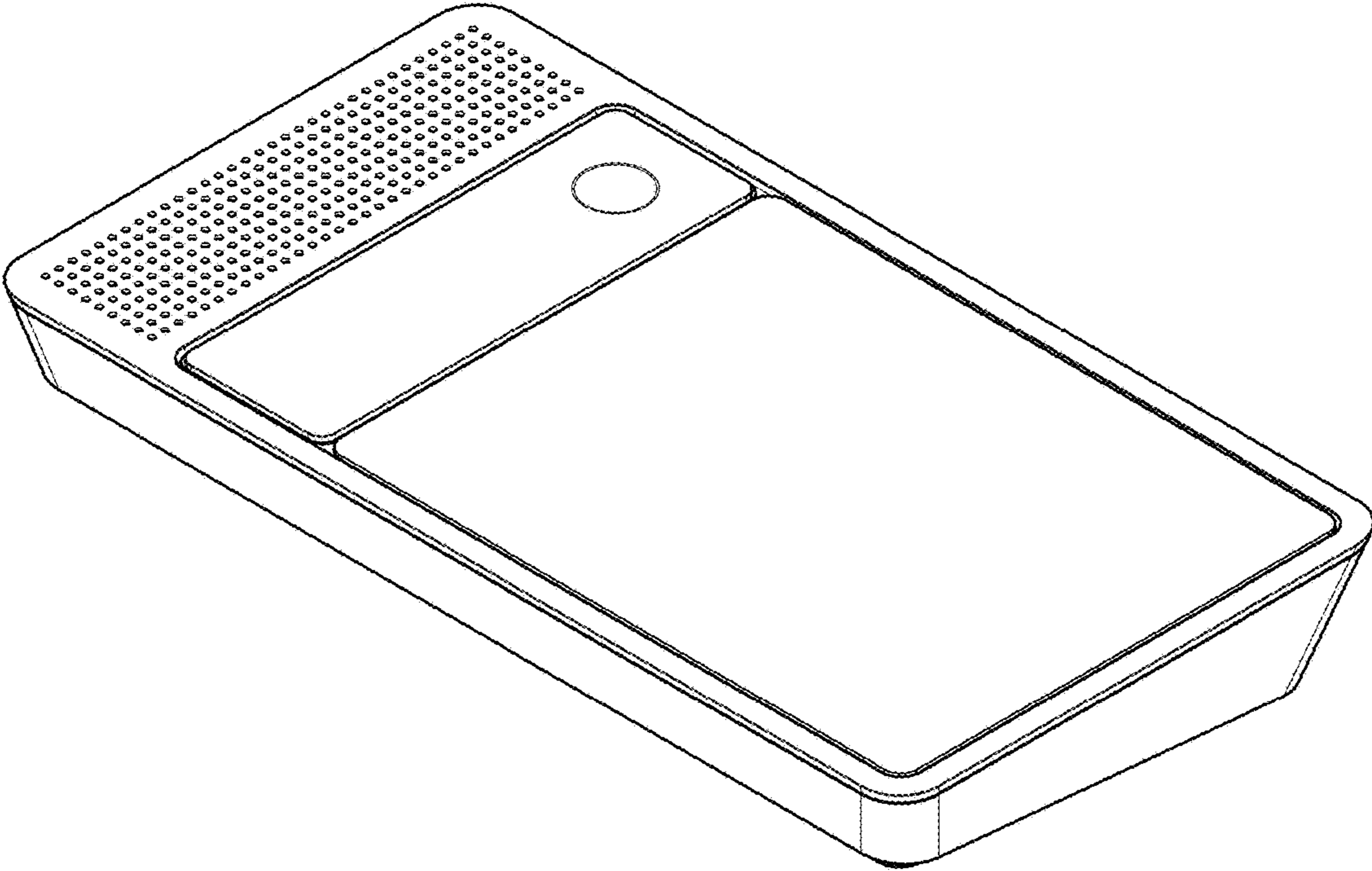


FIG 1

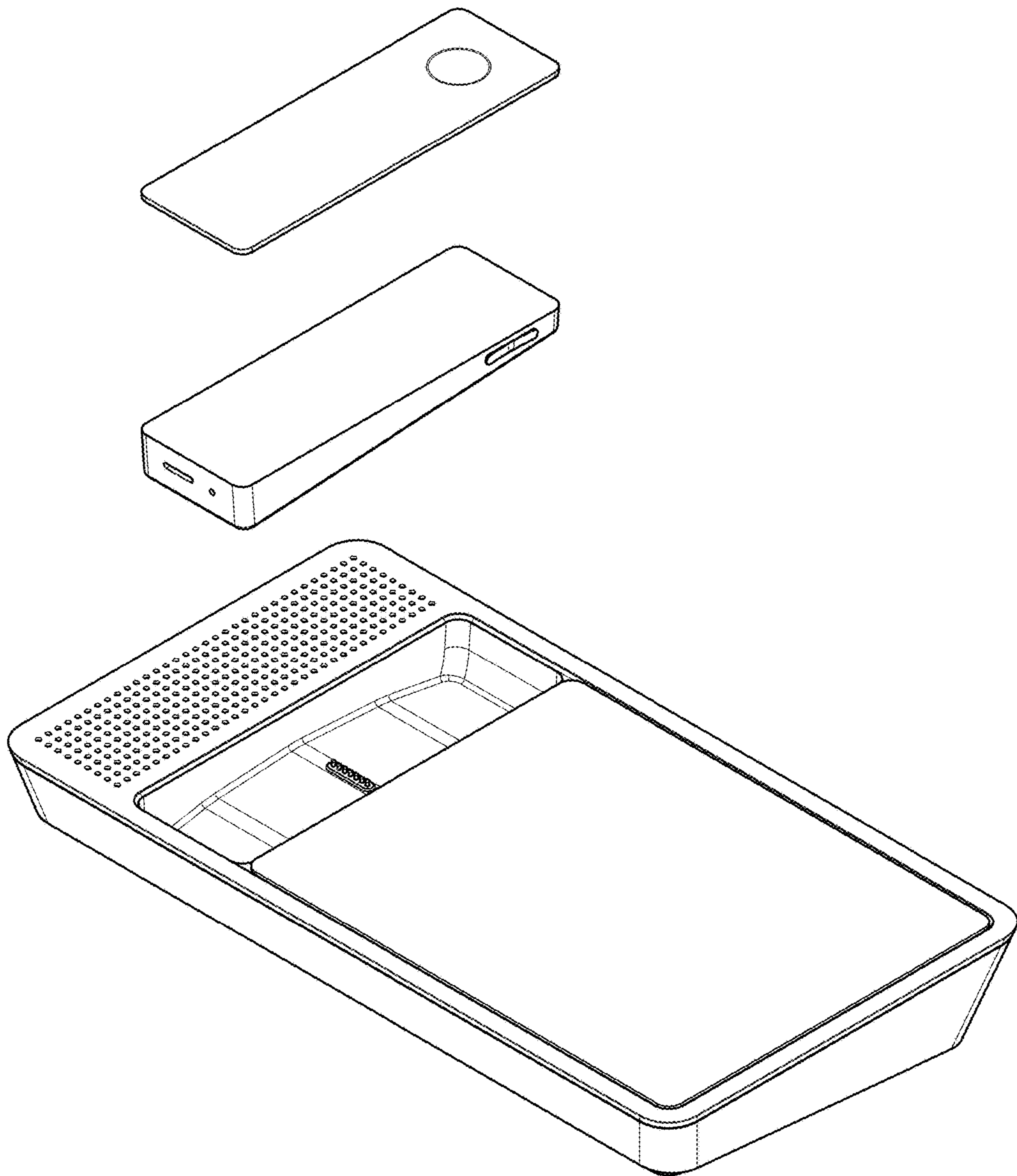


FIG 2

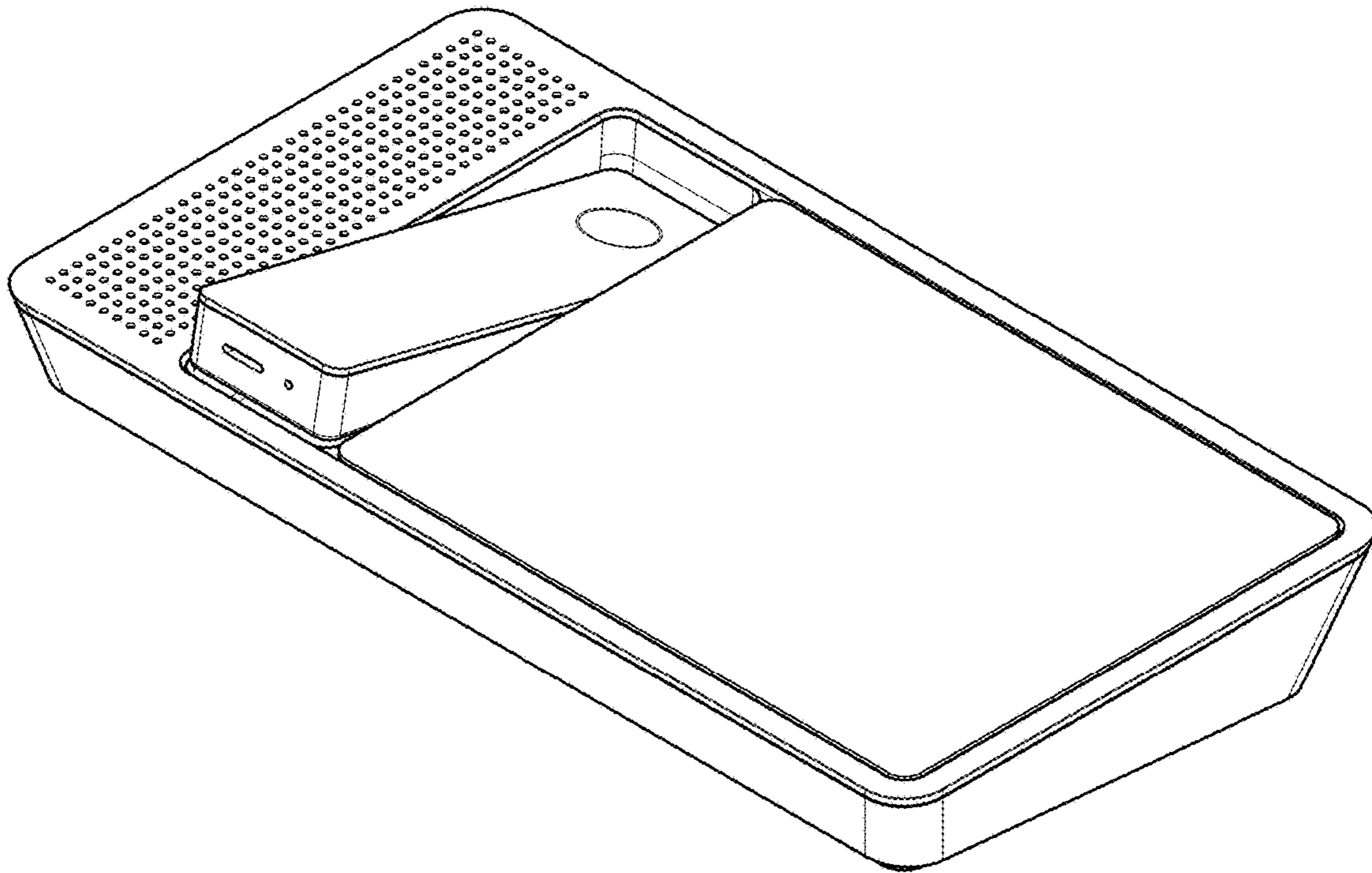


FIG 3

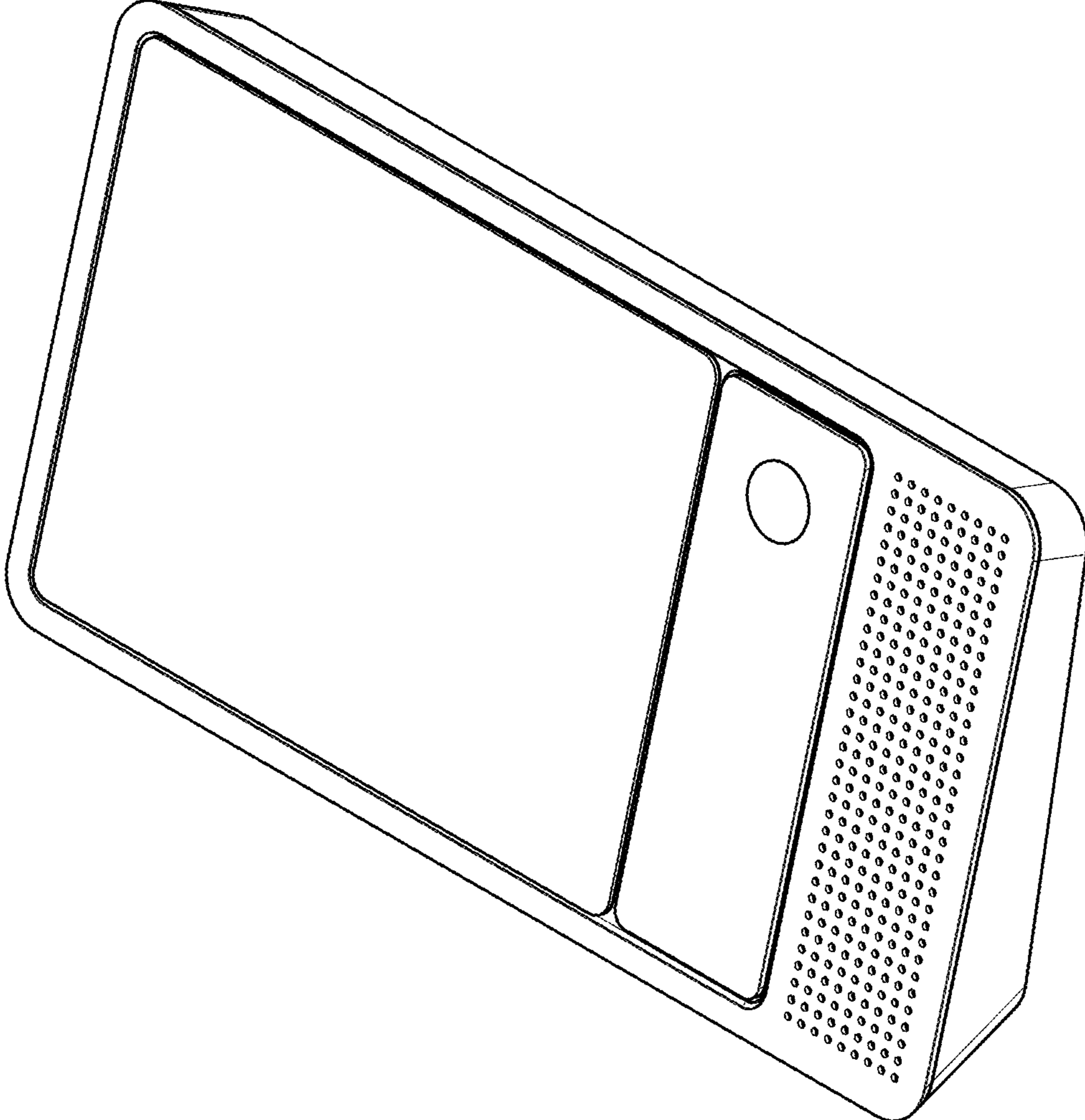


FIG 4

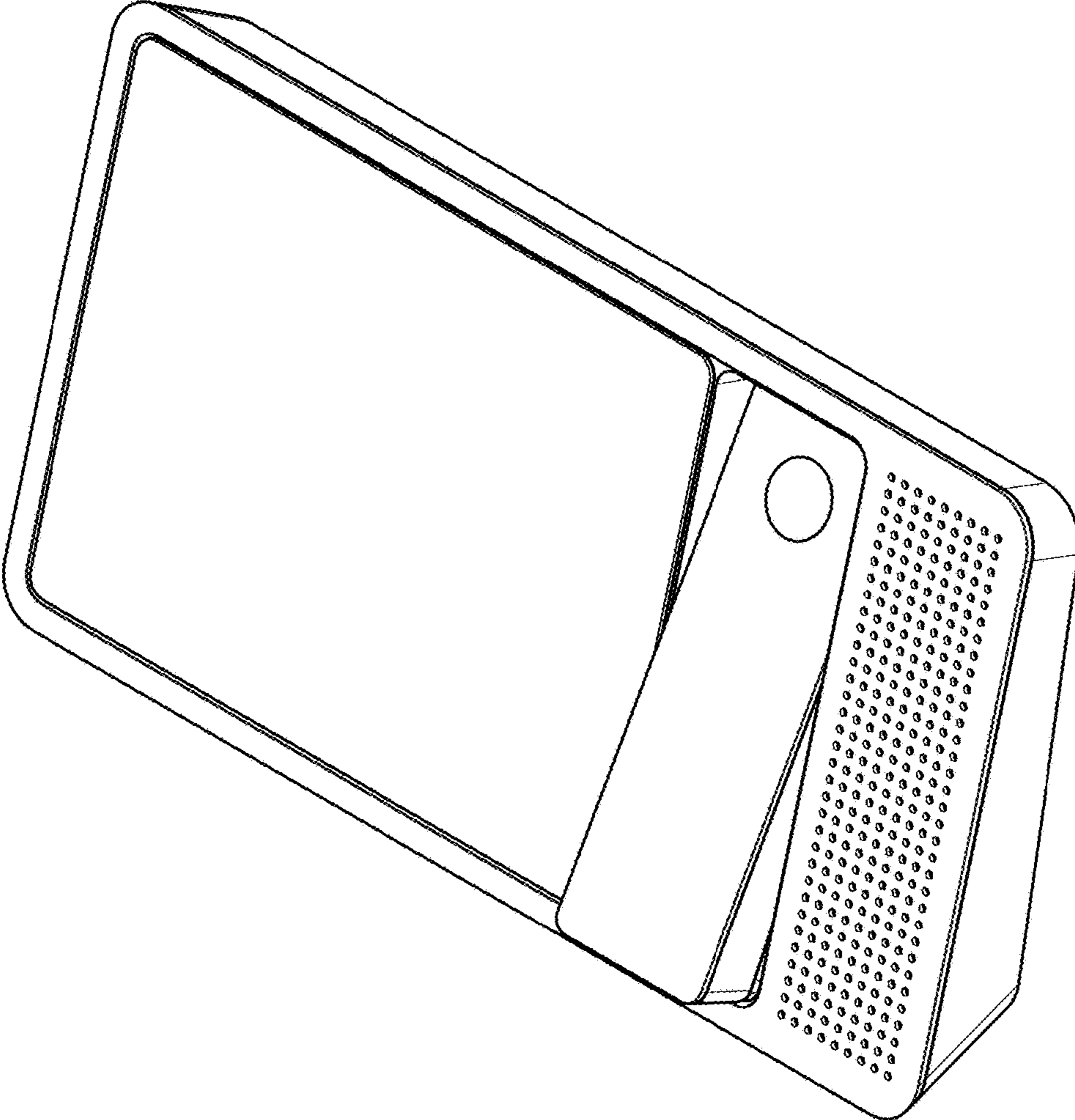


FIG 5

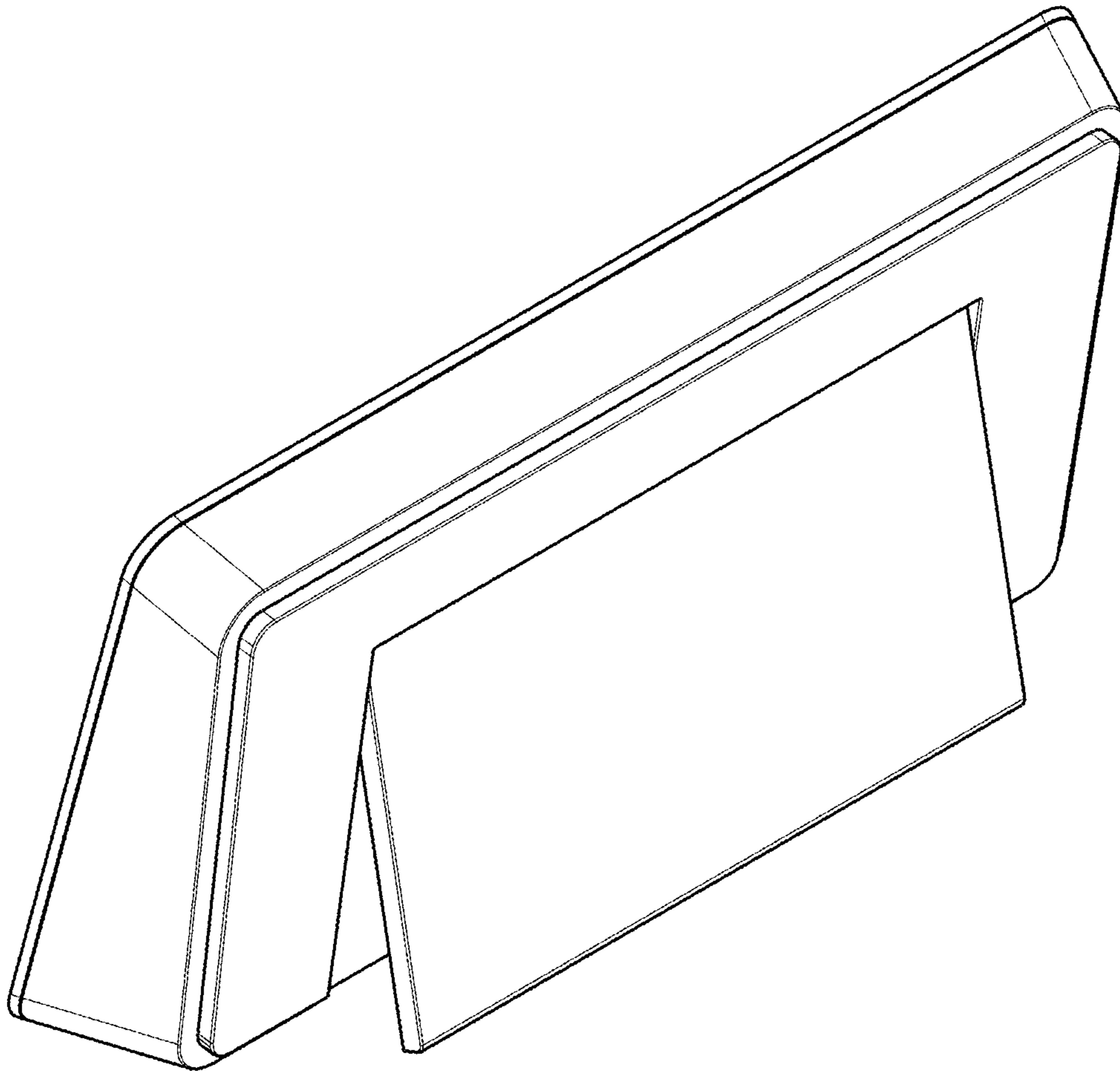


FIG 6

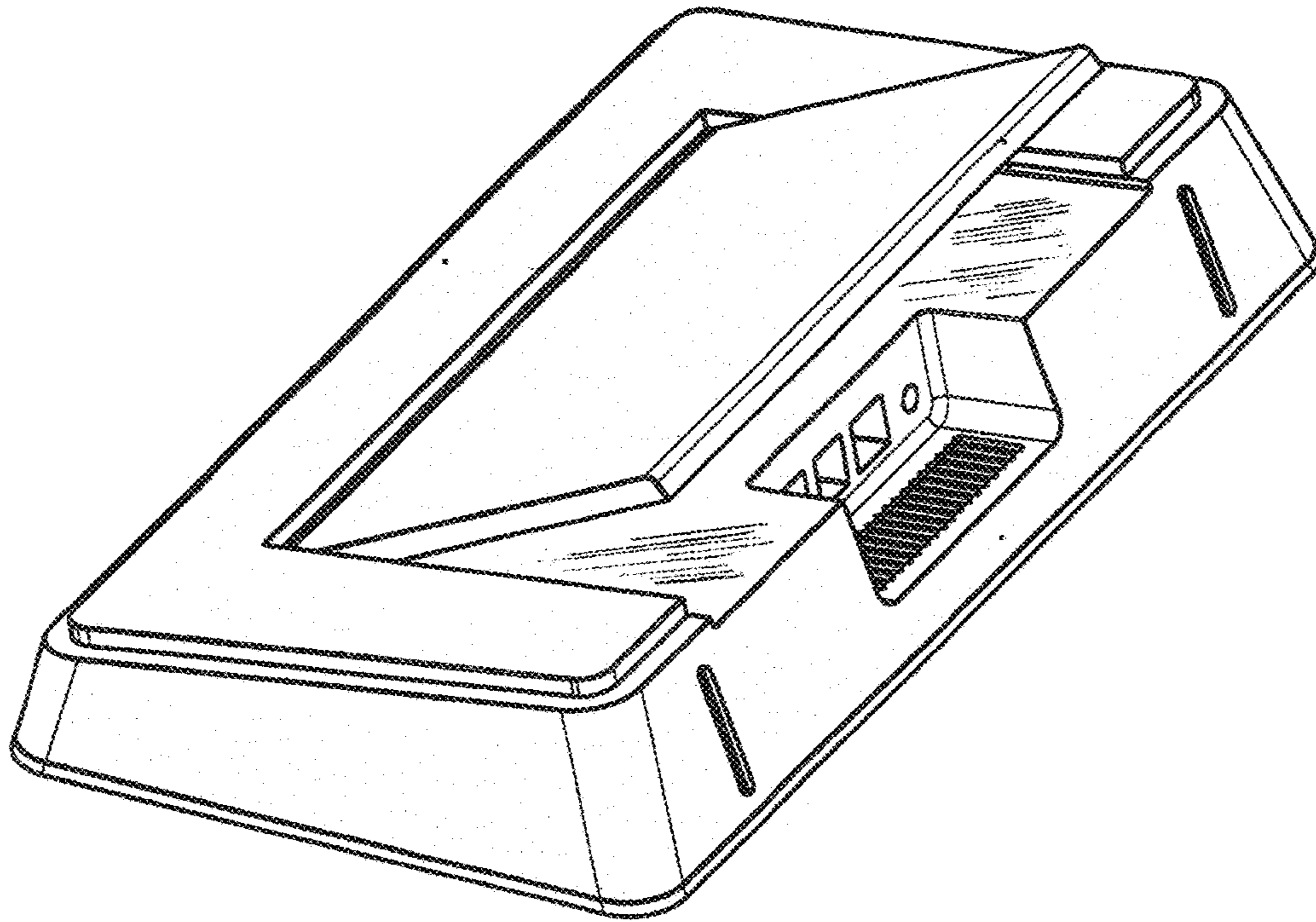


FIG 7

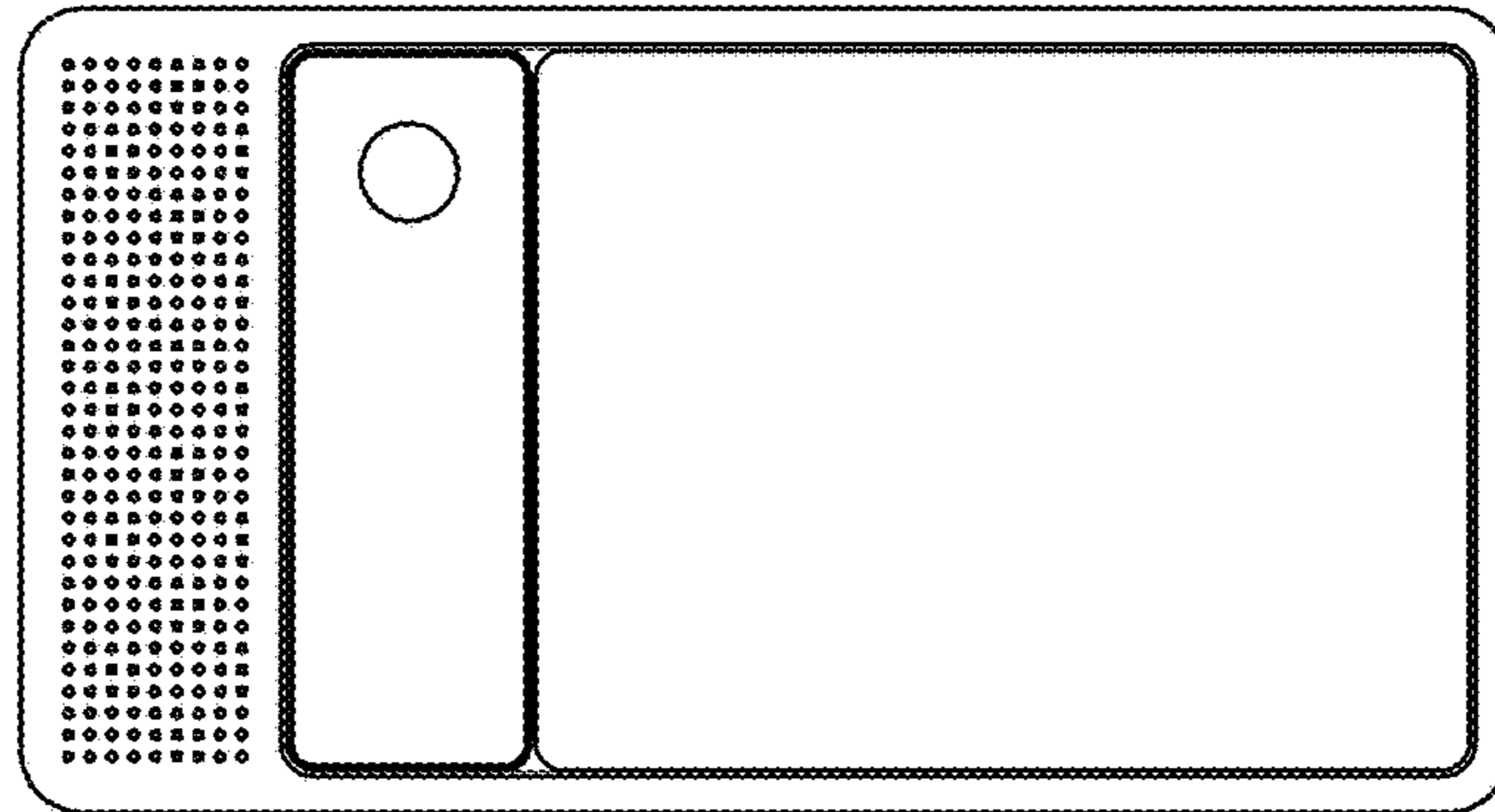


FIG 8



FIG 9

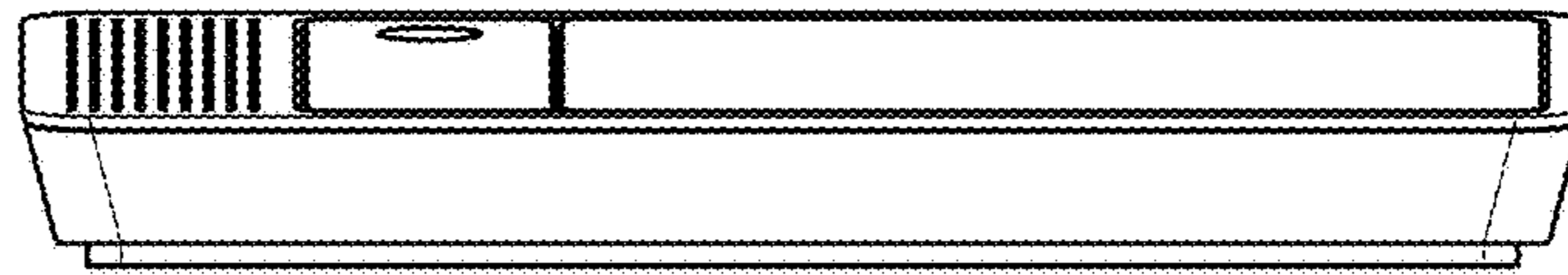


FIG 10

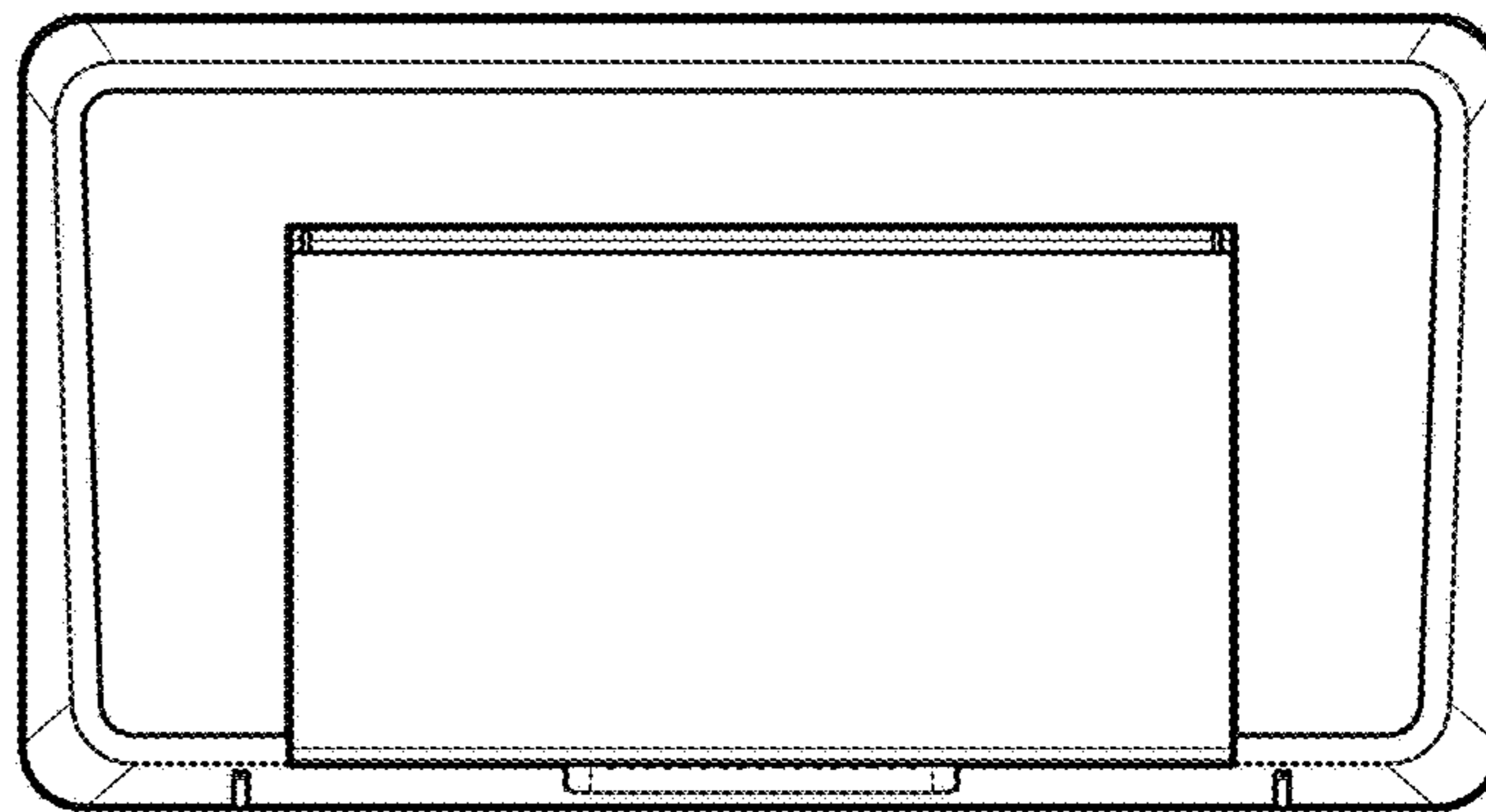


FIG 11

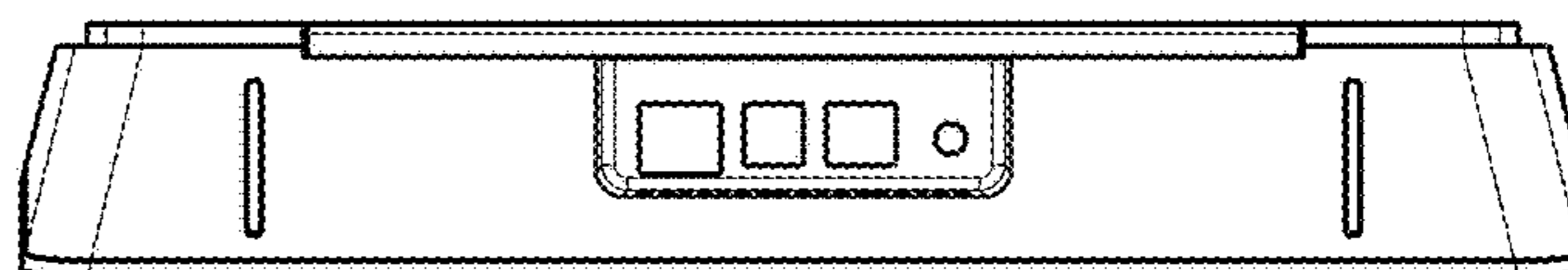


FIG 12