



US00D797706S

(12) **United States Design Patent**
Sagawa et al.

(10) **Patent No.:** **US D797,706 S**
(45) **Date of Patent:** **** Sep. 19, 2017**

(54) **HEADPHONE**

(71) Applicant: **Sony Corporation**, Tokyo (JP)

(72) Inventors: **Daisuke Sagawa**, Kanagawa (JP);
Asako Kawamura, Tokyo (JP);
Takayuki Akai, Chiba (JP); **So Morimoto**, Surrey (GB)

(73) Assignee: **SONY CORPORATION**, Tokyo (JP)

(**) Term: **15 Years**

(21) Appl. No.: **29/540,468**

(22) Filed: **Sep. 24, 2015**

(51) **LOC (10) Cl.** **14-01**

(52) **U.S. Cl.**
USPC **D14/223**; D14/218

(58) **Field of Classification Search**
USPC ... D14/205, 223, 496, 480.3, 511, 247, 218,
D14/392, 346, 455; 181/129, 130, 135;
379/430, 431; 381/380, 381, 378, 151,
381/370-372; 455/90.3, 575.1; D6/601;
5/640; D21/517, 518, 386, 483
CPC H04R 25/00; H04R 1/10; H04R 1/1016;
H04R 1/1066

See application file for complete search history.

(56) **References Cited**

U.S. PATENT DOCUMENTS

2,641,327 A * 6/1953 Balmer H04R 1/105
181/129
D340,033 S * 10/1993 Okumura D14/192
D356,794 S * 3/1995 Althans D14/218
D371,558 S * 7/1996 Yoshizawa D14/205
5,749,373 A * 5/1998 Dix A61F 11/12
128/864

(Continued)

Primary Examiner — Paula Greene

(74) *Attorney, Agent, or Firm* — Michael Best and Friedrich LLP

(57) **CLAIM**

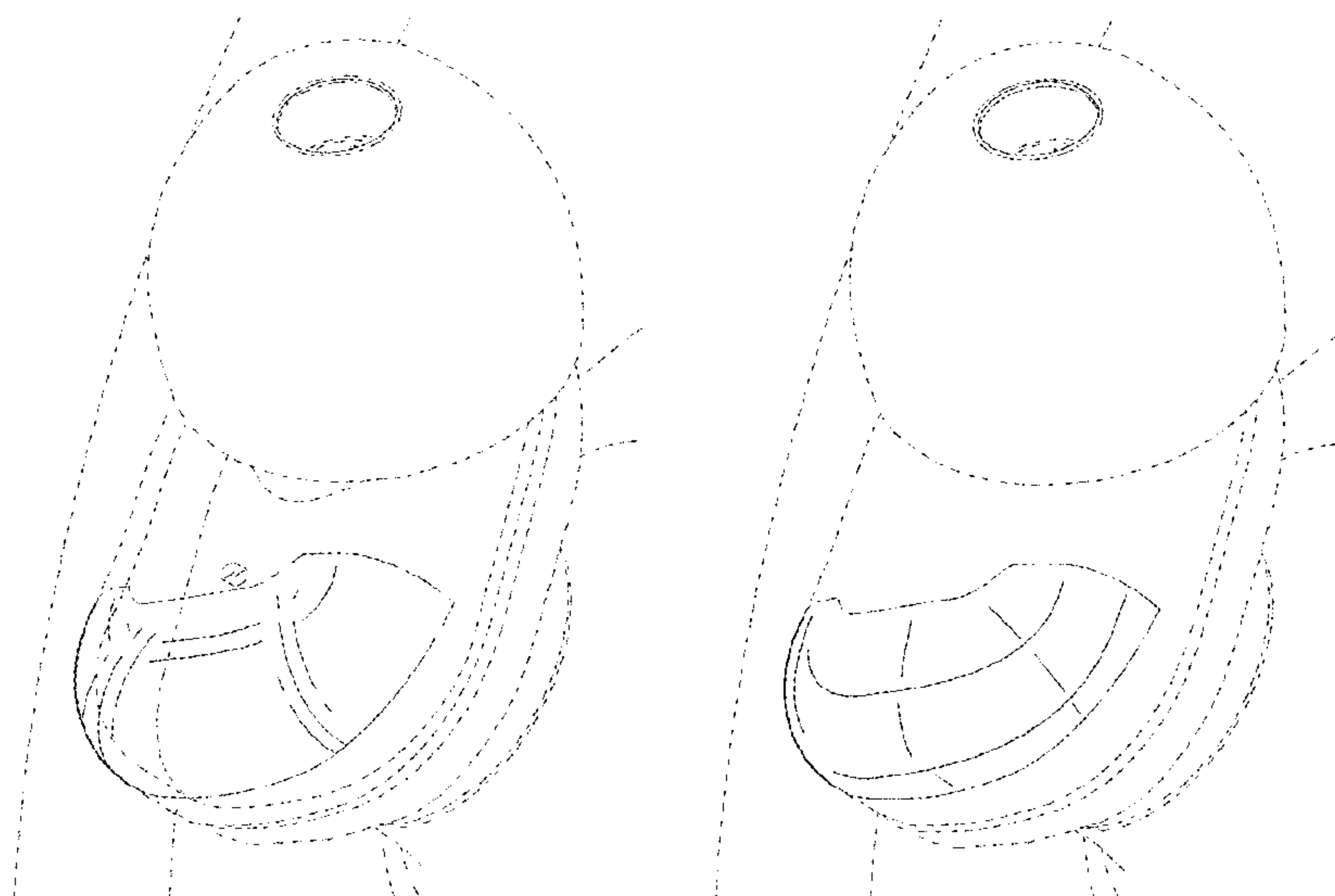
The ornamental design for a headphone, as shown and described.

DESCRIPTION

FIG. 1 is a rear, bottom, right perspective view of a first embodiment of a headphone showing our new design; FIG. 2 is a rear elevational view thereof; FIG. 3 is a right side elevational view thereof; FIG. 4 is a top plan view thereof; and FIG. 5 is a bottom plan view thereof. FIG. 6 is a partially enlarged rear, bottom, right perspective view along the lines 6-6 and 6'-6' of FIG. 1; and FIG. 7 is a rear, bottom, right perspective view of a second embodiment of a headphone showing our new design; FIG. 8 is a rear elevational view thereof; FIG. 9 is a right side elevational view thereof; FIG. 10 is a top plan view thereof; FIG. 11 is a bottom plan view thereof; and FIG. 12 is a partially enlarged rear, bottom, right perspective view thereof along the lines 12-12 and 12'-12' of FIG. 7. FIG. 13 is a front, top, right perspective view of a third embodiment of an ear piece portion of a headphone showing our new design; FIG. 14 is a rear, bottom left perspective view thereof; FIG. 15 is a rear elevational view thereof; FIG. 16 is a left side elevational view thereof; FIG. 17 is a right side elevational view thereof; FIG. 18 is a top plan view thereof; and, FIG. 19 is a bottom plan view thereof.

The broken lines showing the headphone and the ear piece portion thereof are unclaimed portion thereof and form no part of the claimed design. Dot-dash broken lines define the boundaries of, but not included in, the claimed design.

1 Claim, 13 Drawing Sheets



(56)

References Cited

U.S. PATENT DOCUMENTS

D401,587 S * 11/1998 Rudolph D14/218
 5,829,062 A * 11/1998 Magidson A61F 11/12
 128/867
 D406,137 S * 2/1999 Kolinen D14/138 R
 D414,189 S * 9/1999 Phillips D14/247
 D416,745 S * 11/1999 Noyes D6/601
 6,105,714 A * 8/2000 Lindgren A61F 11/08
 181/126
 D439,574 S * 3/2001 Katayama D14/192
 6,195,806 B1 * 3/2001 Campbell A45D 44/12
 128/866
 6,233,345 B1 * 5/2001 Urwyler H04R 1/1033
 351/123
 D448,759 S * 10/2001 Gartrell D14/247
 D450,517 S * 11/2001 Darling D6/596
 D458,245 S * 6/2002 Masuda D14/192
 6,456,721 B1 * 9/2002 Fukuda H04R 1/1066
 381/151
 6,792,122 B1 * 9/2004 Okada H04R 1/26
 381/151
 D525,235 S * 7/2006 Koizumi D14/205
 D550,202 S * 9/2007 Meier D14/206
 D550,211 S * 9/2007 Ikeda D14/218
 D550,703 S * 9/2007 Koizumi D14/496
 D552,124 S * 10/2007 Koizumi D14/496
 D559,831 S * 1/2008 Lee D14/205
 D571,308 S * 6/2008 Gastelum D13/168
 D575,268 S * 8/2008 Christopher D14/205
 D587,248 S * 2/2009 Densho
 D587,678 S * 3/2009 Yuyama D14/205
 D593,508 S * 6/2009 Petersen D13/168
 D594,442 S * 6/2009 Chon D14/205
 D601,125 S * 9/2009 Komiyama D14/205
 D609,246 S * 2/2010 Wahl D14/203.1
 D612,866 S * 3/2010 Sukeda D14/496

D617,308 S * 6/2010 Nousiainen D14/205
 7,735,996 B2 * 6/2010 van der Zwan G02C 11/06
 351/123
 D619,561 S * 7/2010 Yang D14/205
 D630,186 S * 1/2011 Yang D14/205
 D640,666 S * 6/2011 Wahl D14/205
 D645,444 S * 9/2011 Quek D14/205
 D652,024 S * 1/2012 Quek D14/223
 D662,913 S * 7/2012 Birger D14/206
 D667,817 S * 9/2012 Otani D14/223
 D669,881 S * 10/2012 Clements D14/205
 D671,523 S * 11/2012 Daniel D14/206
 8,433,082 B2 * 4/2013 Abolfathi H04R 1/46
 381/151
 D690,681 S * 10/2013 Ito D14/205
 D691,105 S * 10/2013 Ito D14/205
 D691,580 S * 10/2013 Cho D14/205
 D706,745 S * 6/2014 Nakagawa D14/205
 D713,822 S * 9/2014 Paradise D14/206
 D716,269 S * 10/2014 Kim D14/218
 D723,510 S * 3/2015 Ishikura D14/205
 D739,377 S * 9/2015 Yeom D14/205
 D743,945 S * 11/2015 Brunner D14/223
 D743,946 S * 11/2015 Brunner D14/223
 D745,862 S * 12/2015 Otani D14/223
 D761,223 S * 7/2016 Oikawa D14/137
 D766,210 S * 9/2016 Graylin D14/205
 2006/0039574 A1 * 2/2006 Chen H04R 1/1058
 381/151
 2007/0230735 A1 * 10/2007 Sung H04R 1/1058
 381/374
 2011/0170702 A1 * 7/2011 Bays H04R 5/0335
 381/74
 2014/0119555 A1 * 5/2014 Lu H04R 25/554
 381/74
 2014/0307891 A1 * 10/2014 Burgett H04R 1/105
 381/74

* cited by examiner

FIG. 1

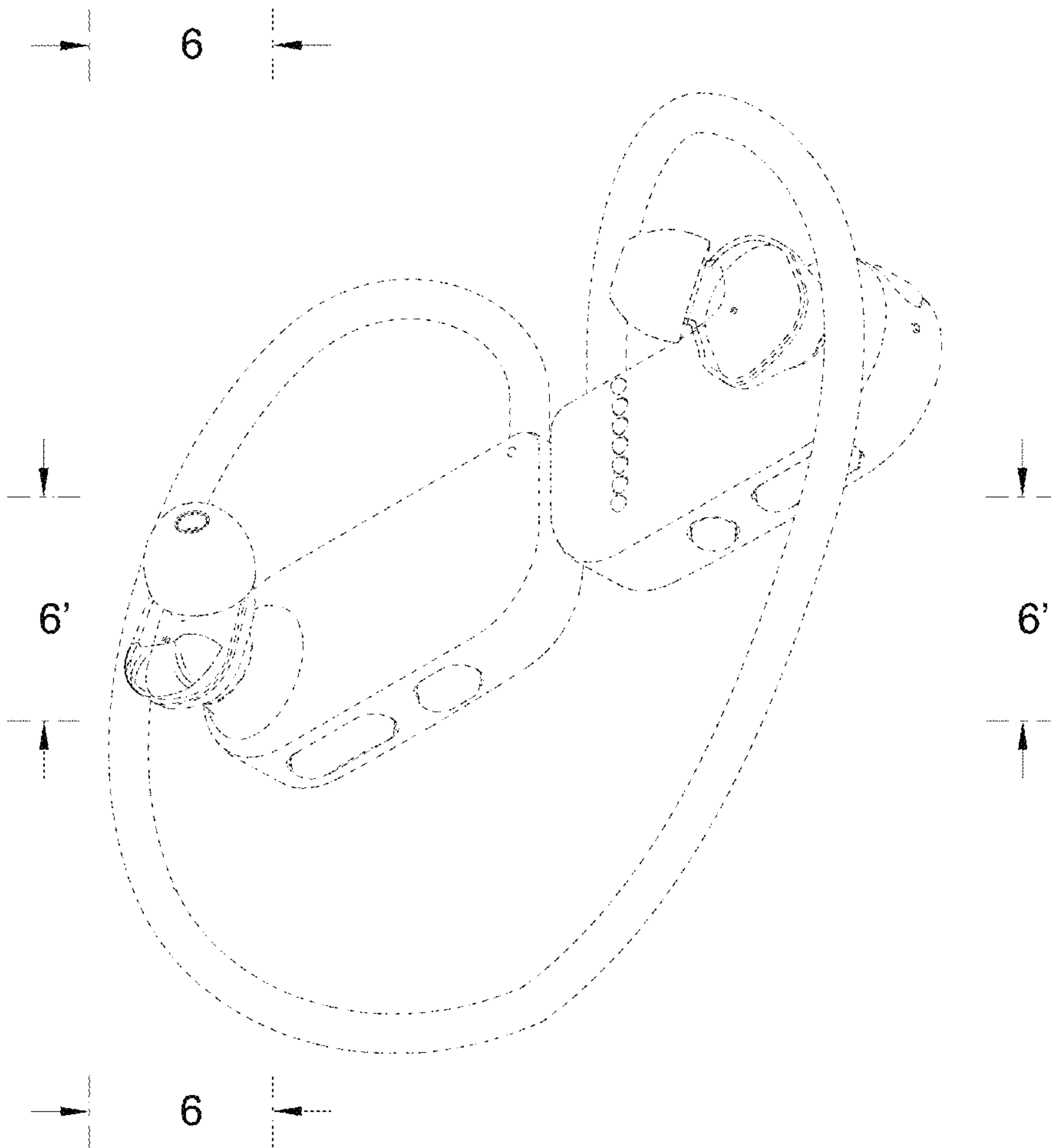


FIG.2

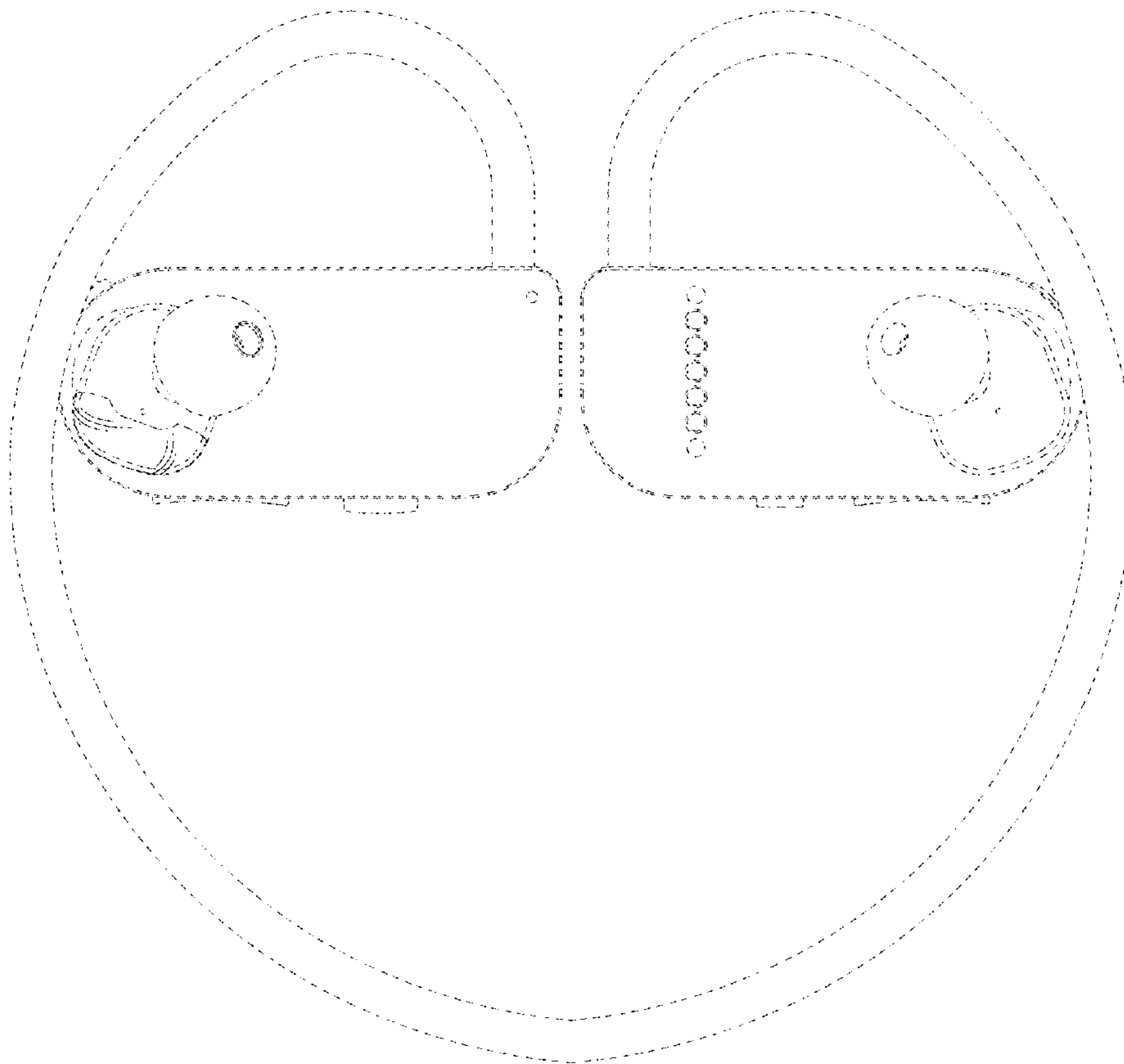


FIG.3

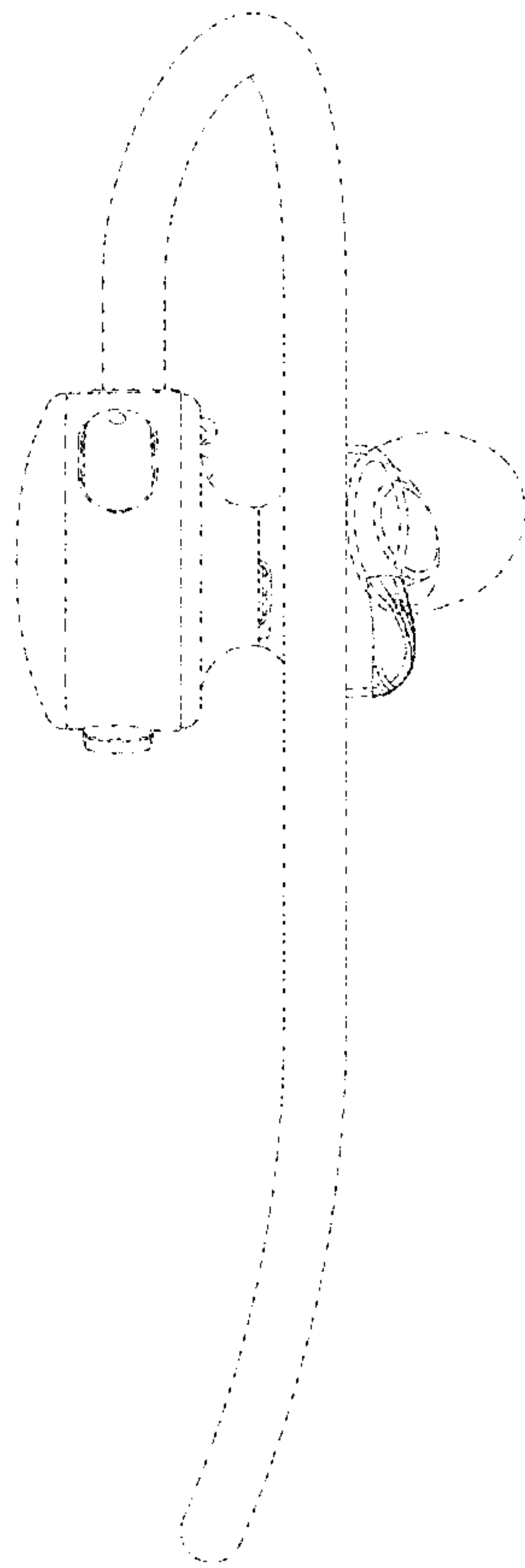


FIG.4

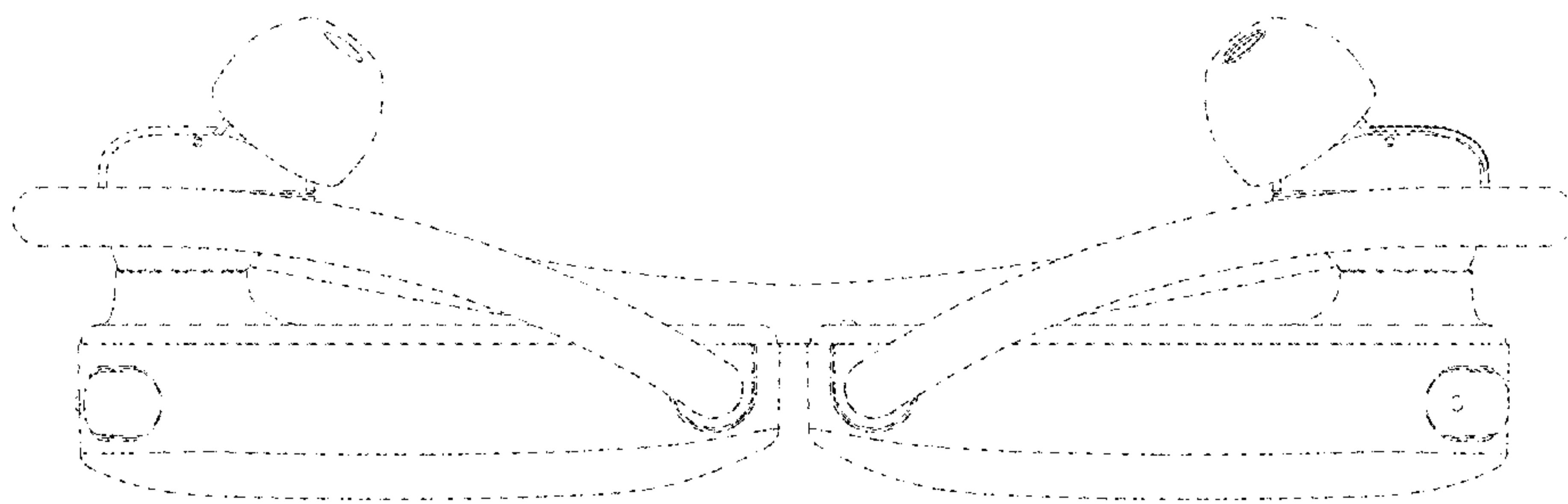


FIG.5

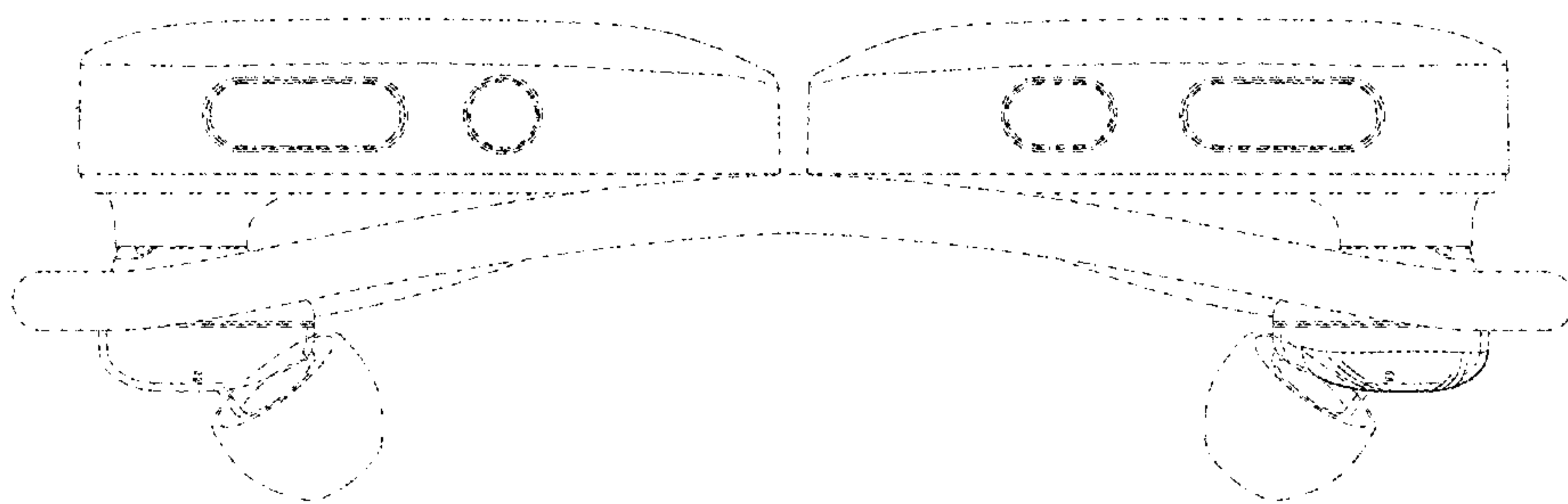


FIG.6

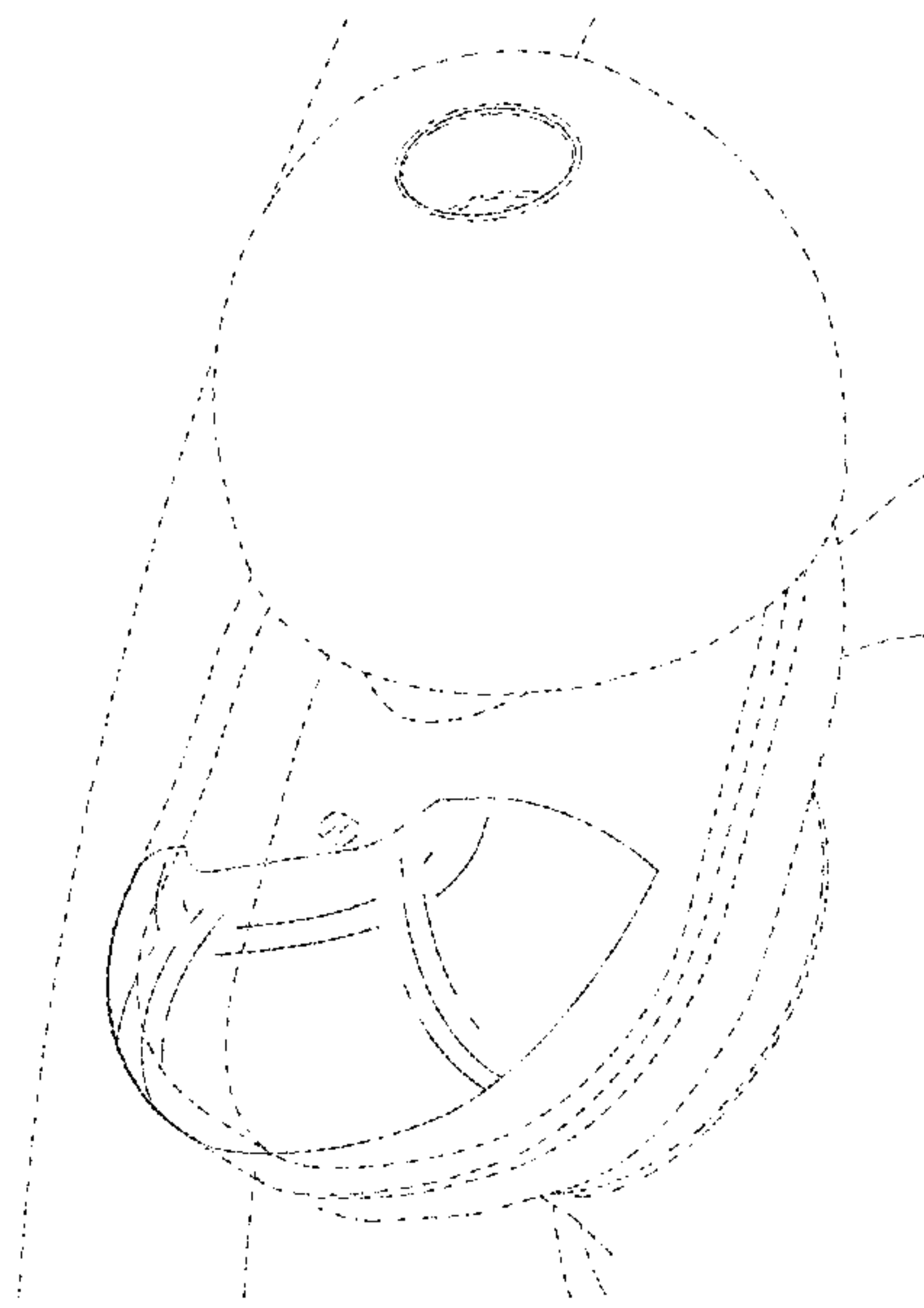


FIG.7

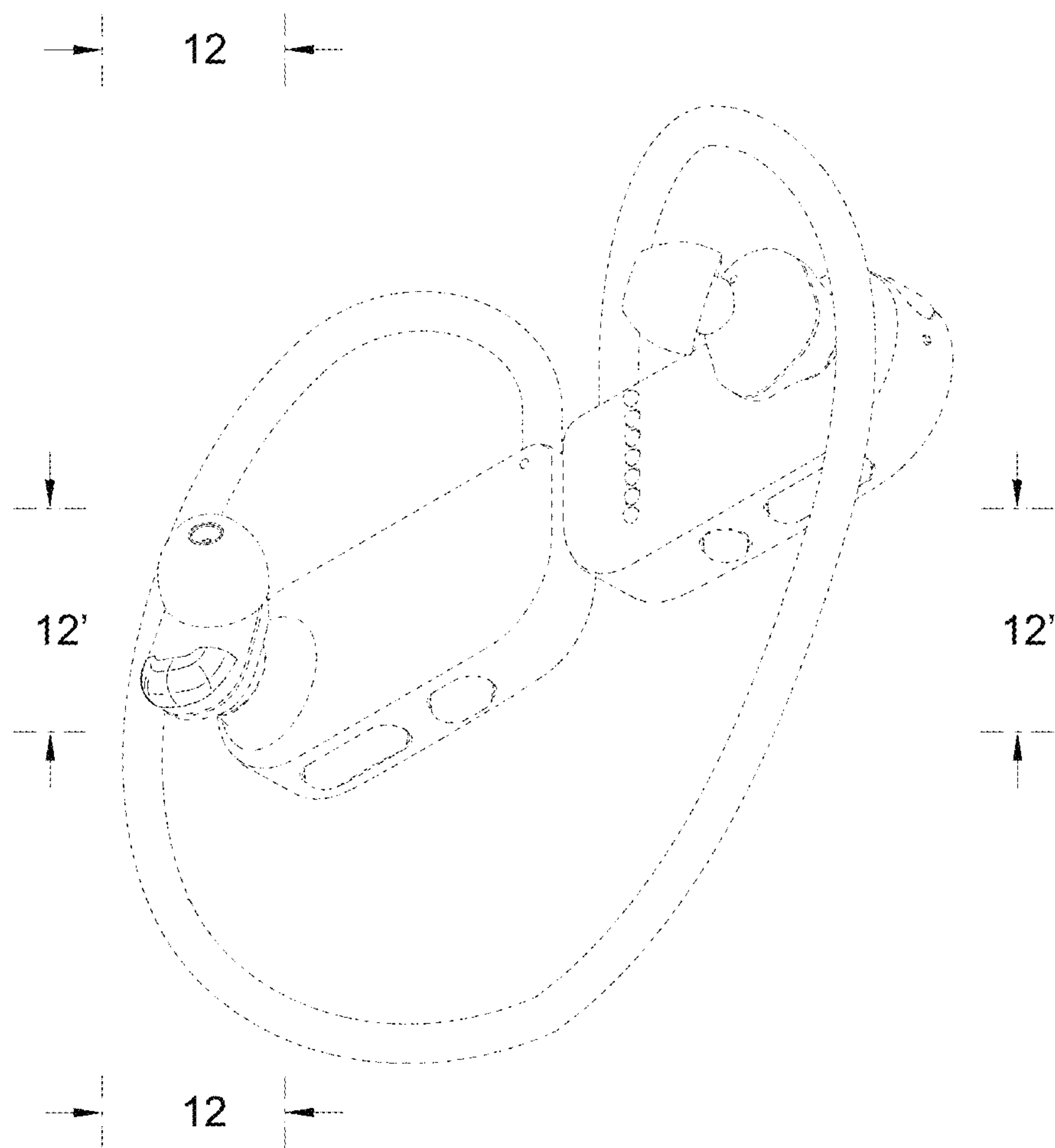


FIG.8

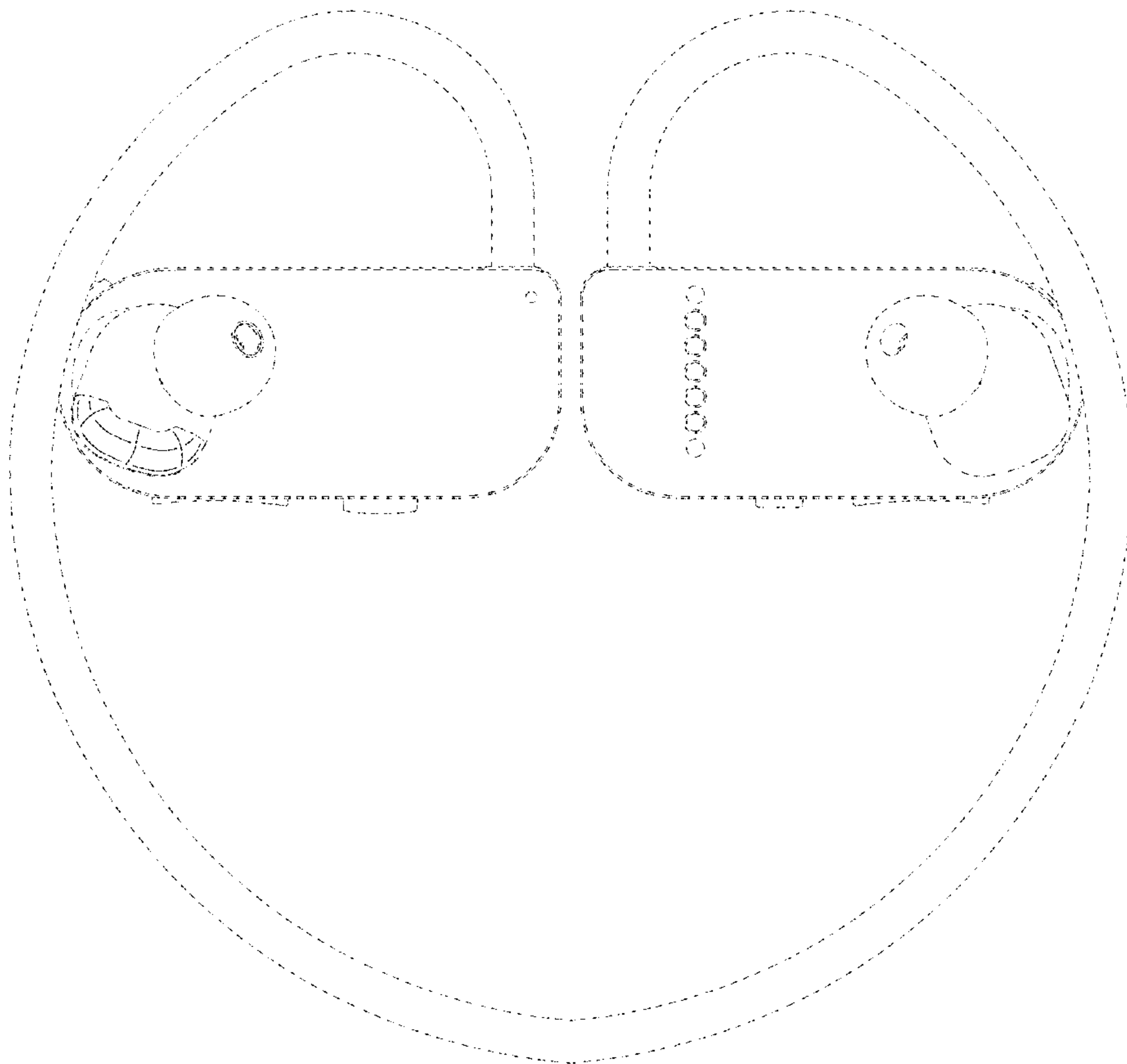


FIG.9

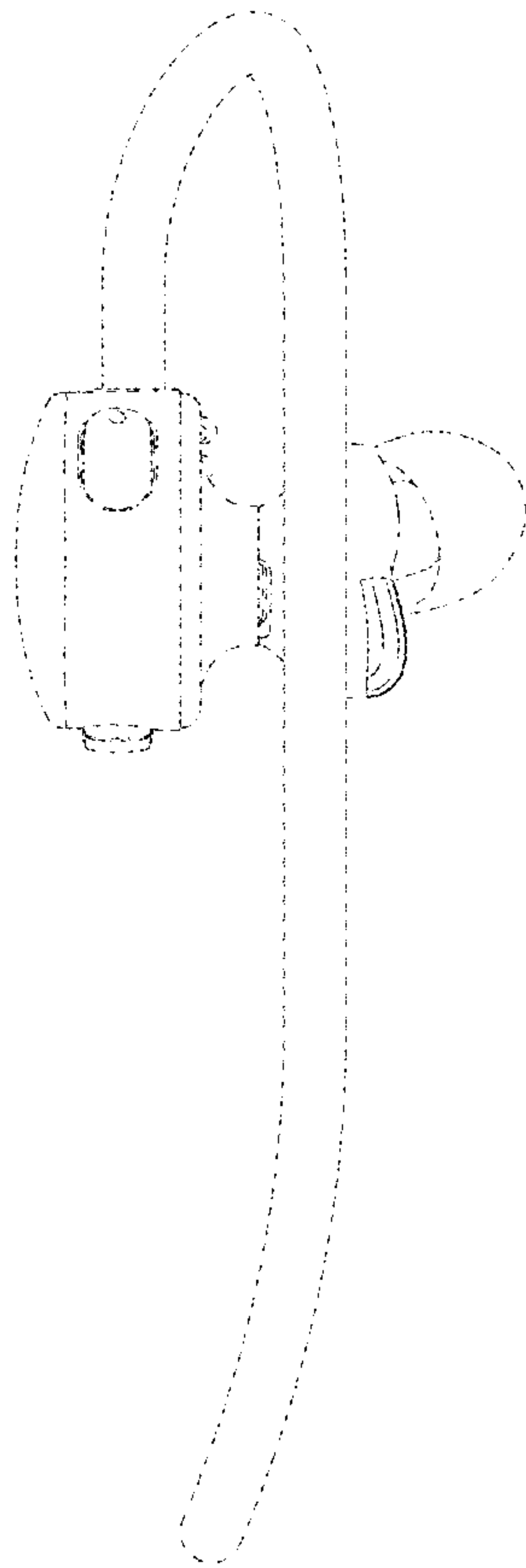


FIG.10

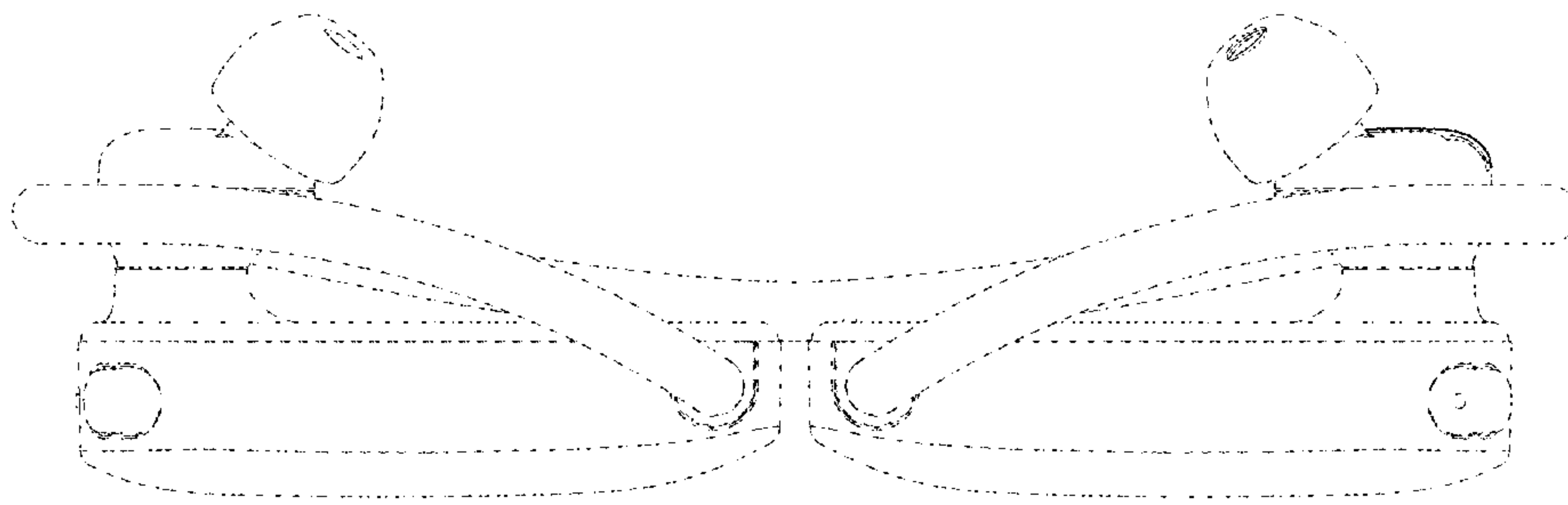


FIG.11

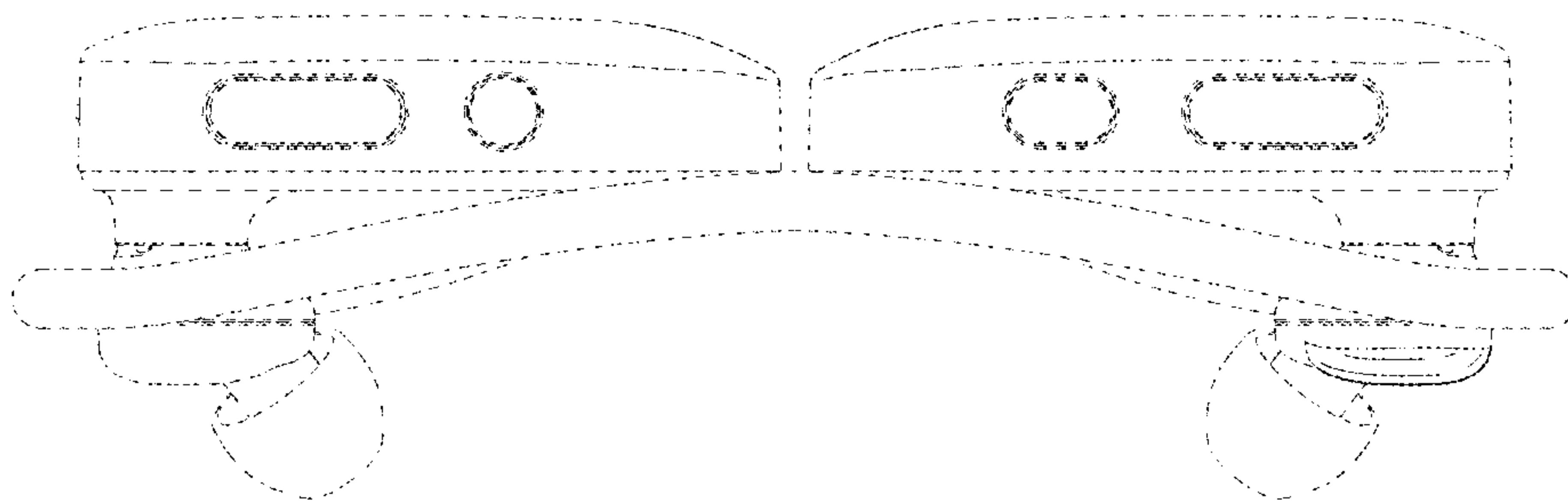


FIG.12

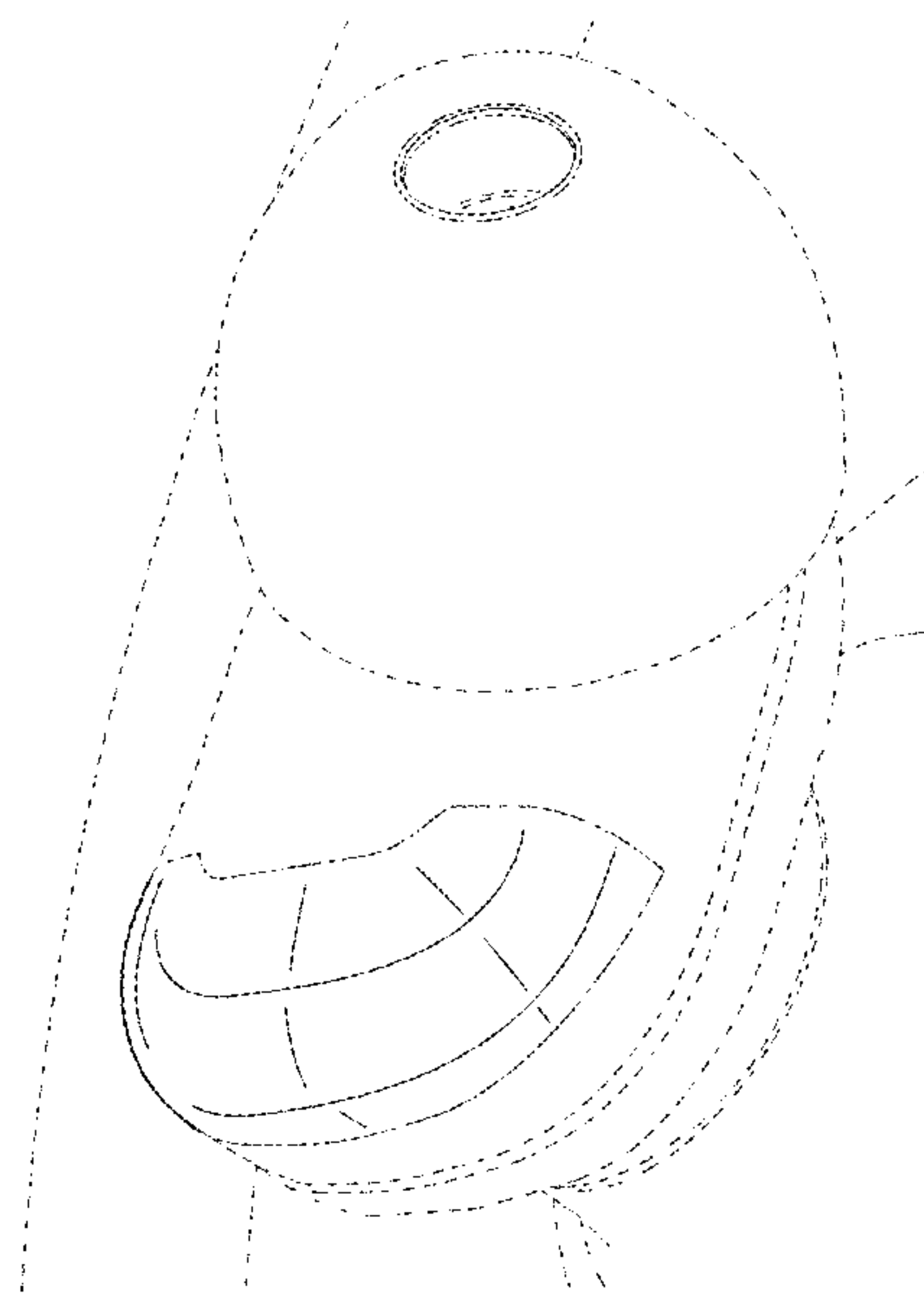


FIG.13

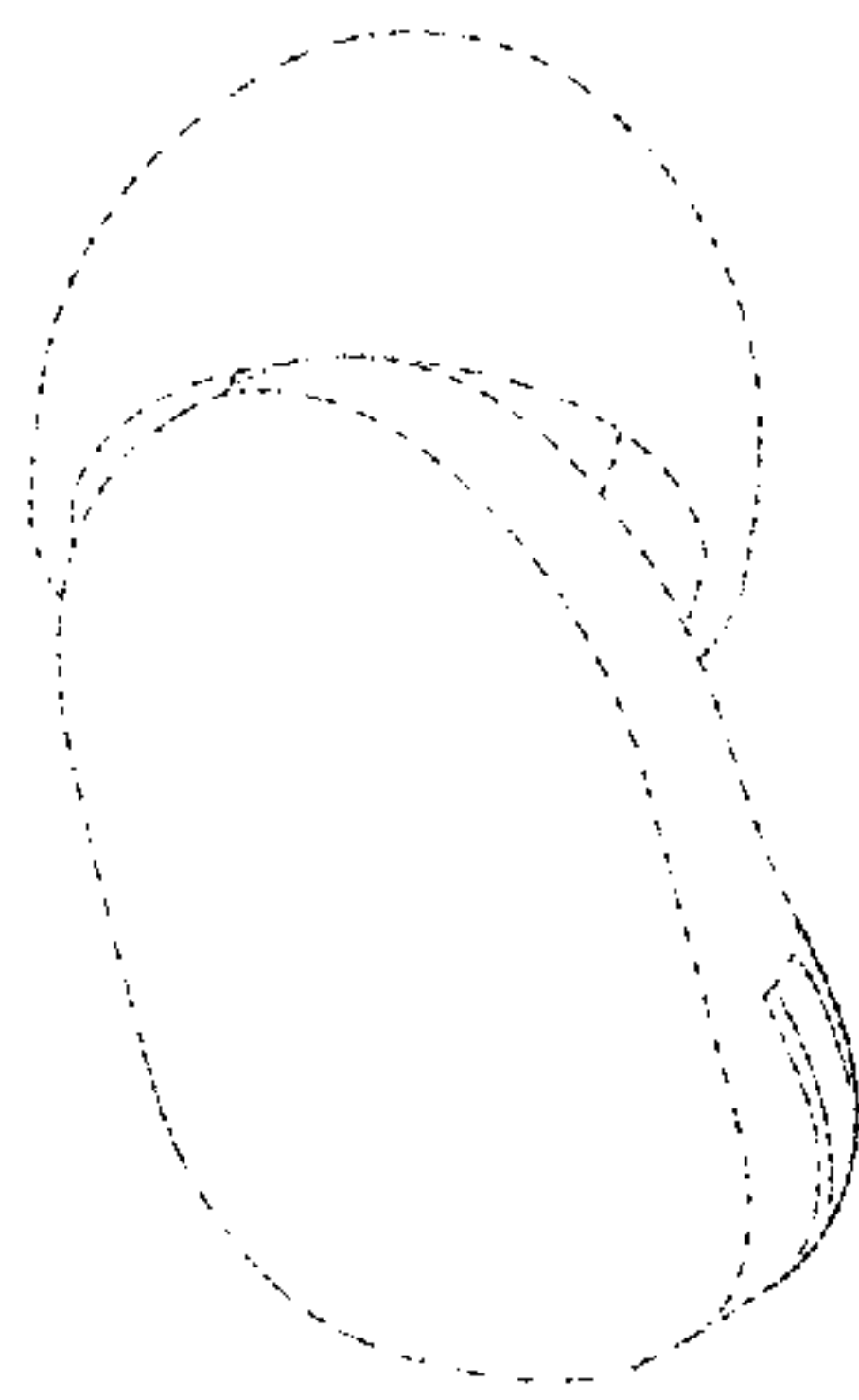


FIG.14

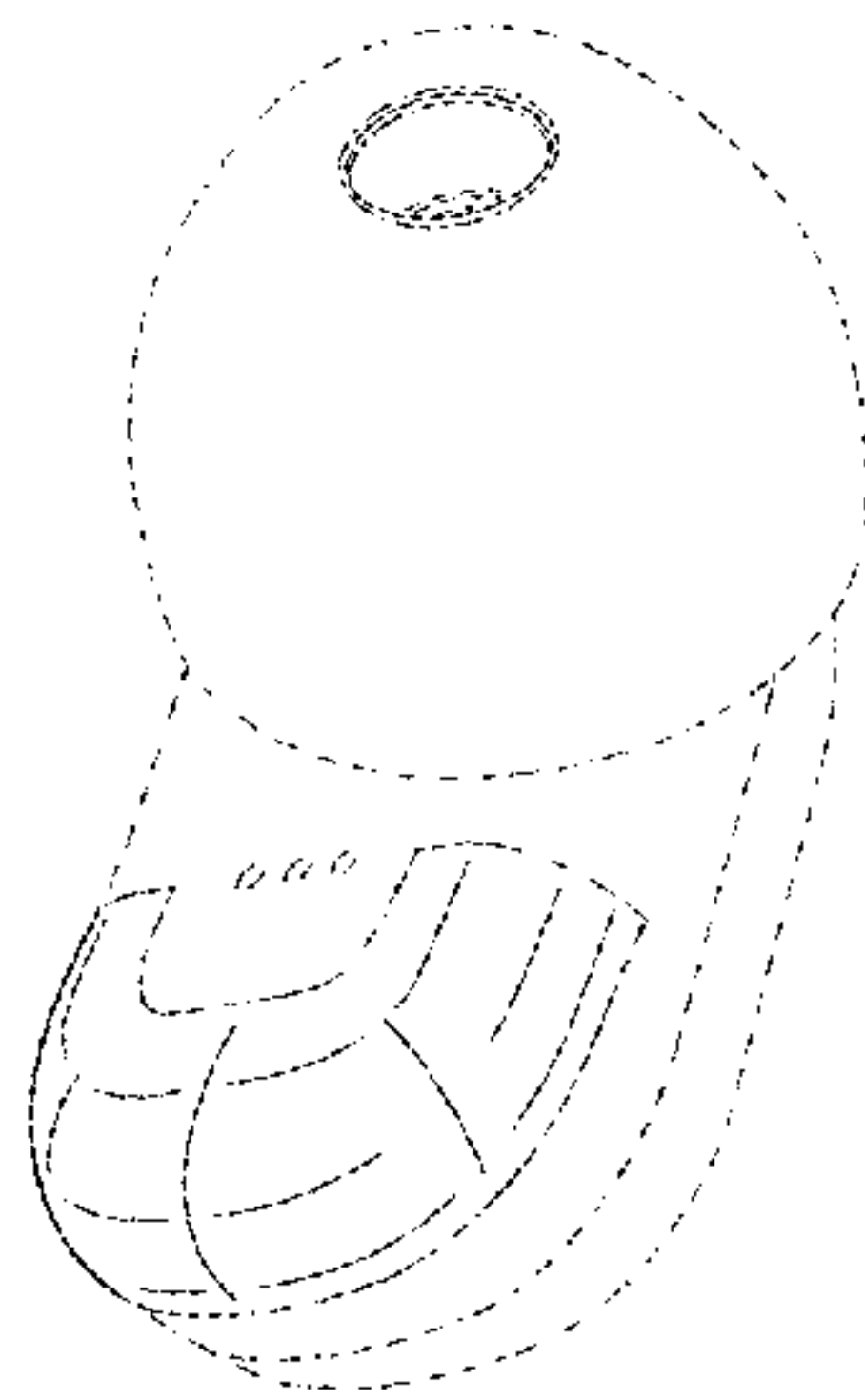


FIG.15

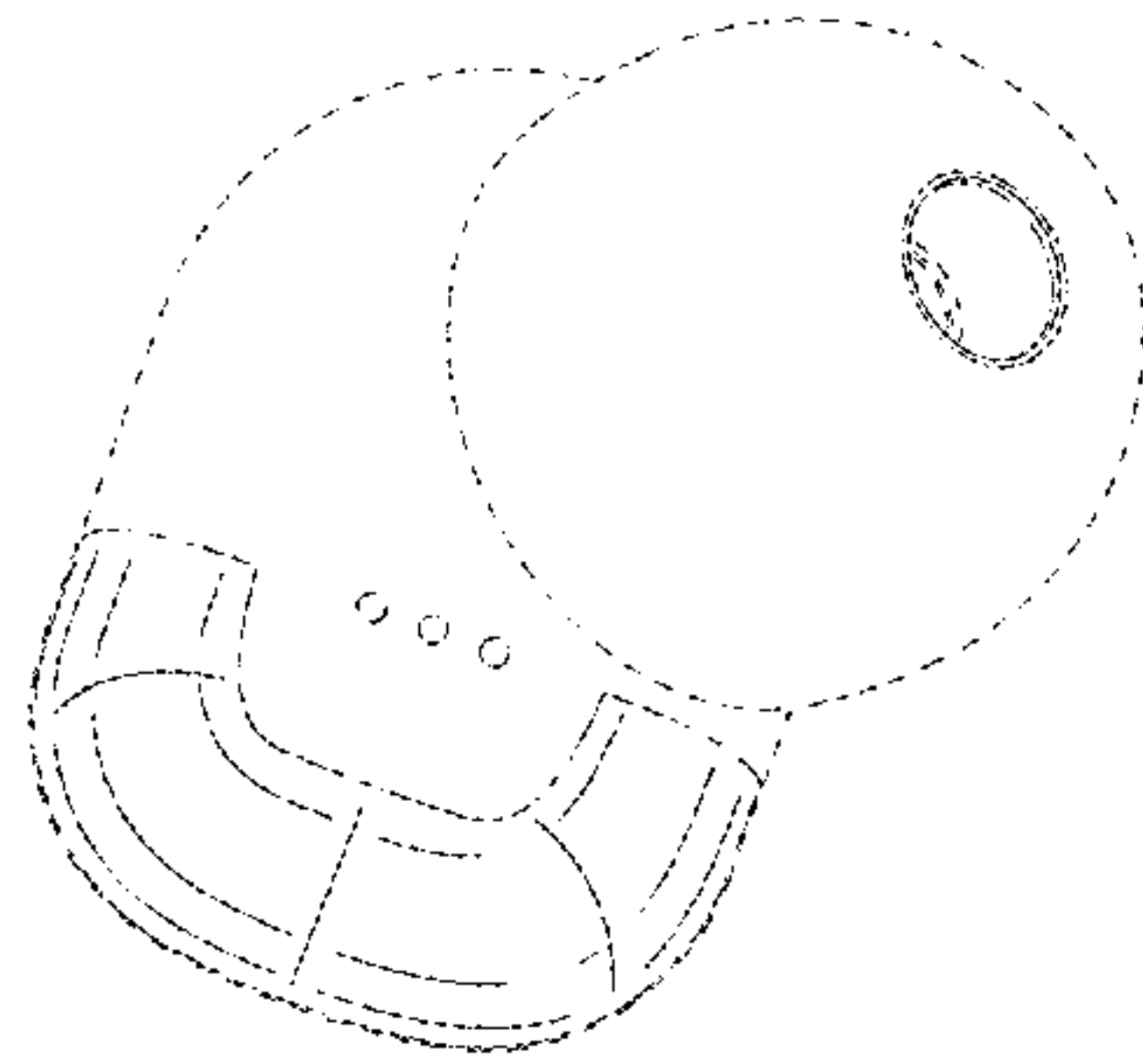


FIG.16

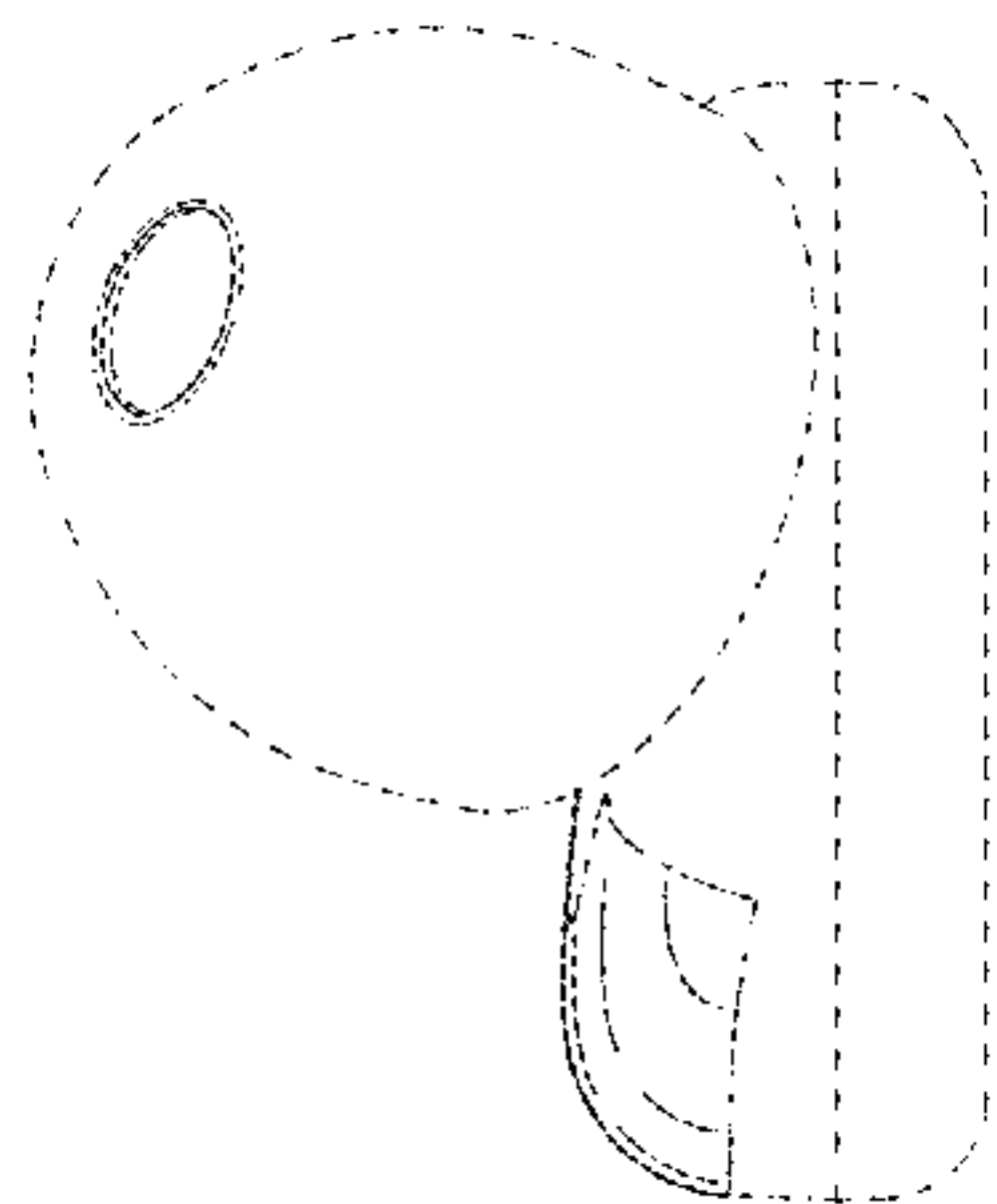


FIG.17

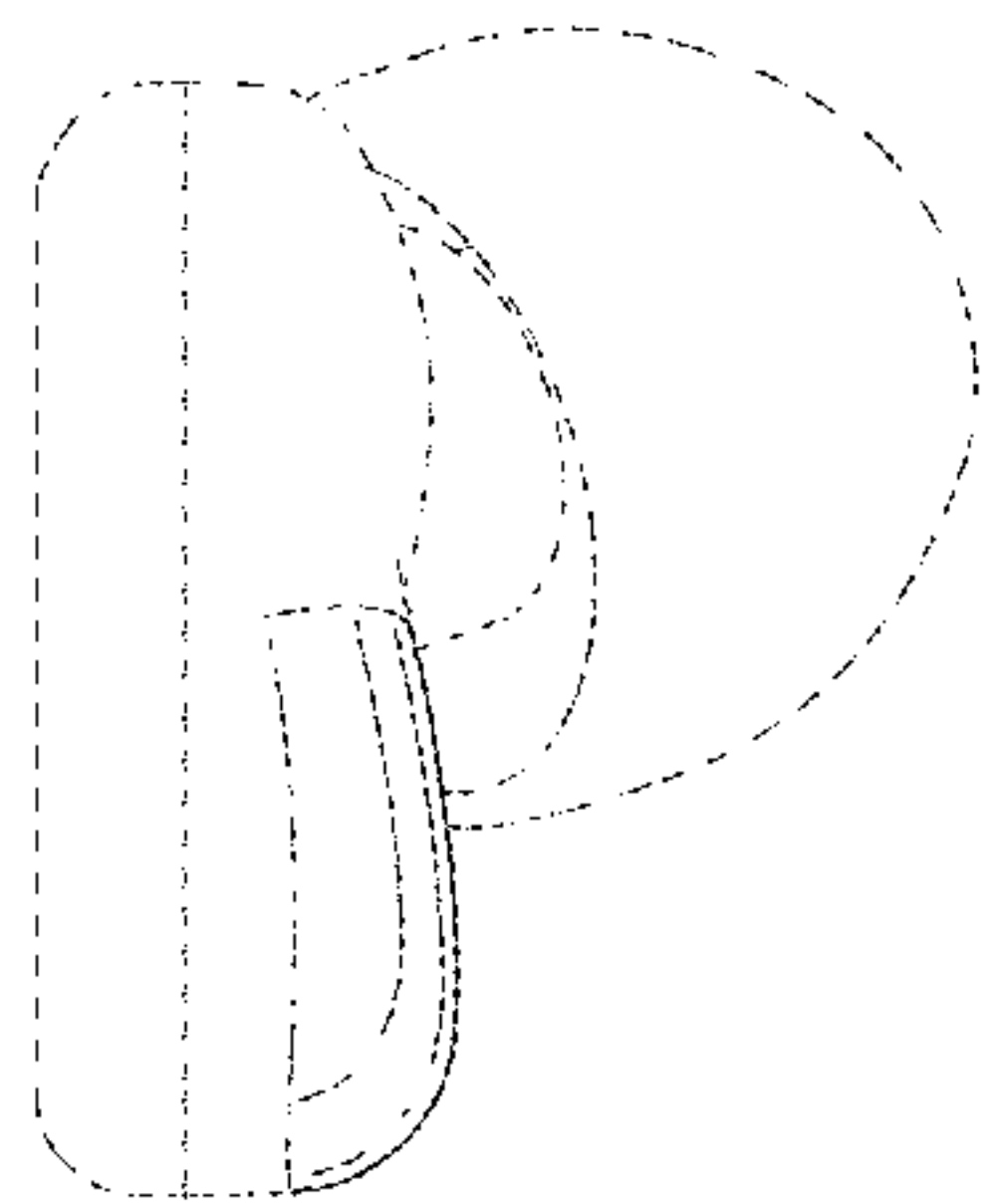


FIG.18

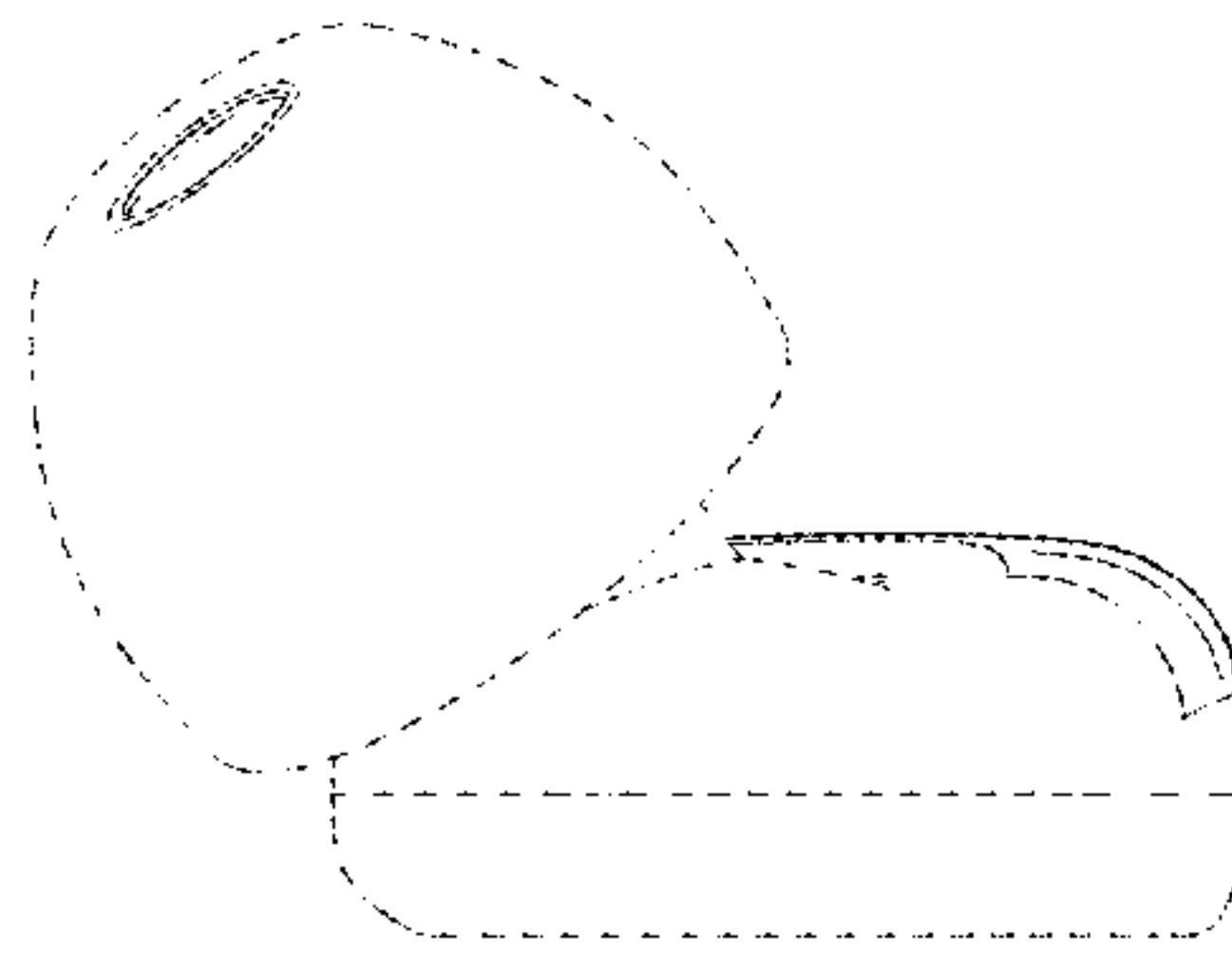


FIG.19

